

## The compact powerhouse for demanding jobsites

The new Paclite MD800H Dumper delivers unmatched performance in the 800 kg class. Powered by a reliable Kubota diesel engine, it offers exceptional torque, fuel efficiency, and long service life, making it the ideal solution for tough construction environments.

## FEATURES AND BENEFITS

### Superior manoeuvrability

- Thanks to its compact working radius, the MD800H operates effortlessly in narrow spaces, on urban construction sites, and confined renovation projects, where larger dumpers struggle.

### Hydraulic Skip Lift and Tip

- Reduce operator fatigue and increase productivity with the hydraulic lifting and tipping system, ensuring fast and effortless unloading even at height.

### Robust & Reliable

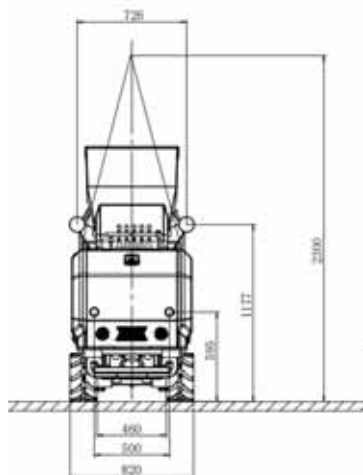
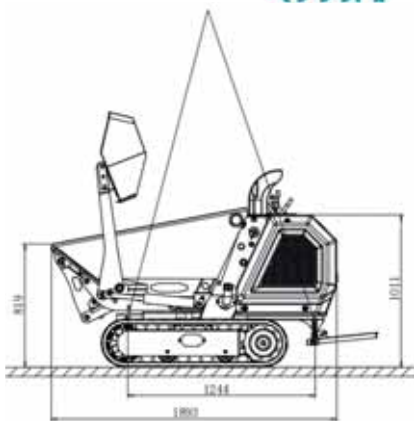
- Built with reinforced chassis and heavy-duty components, the MD800H is engineered for high rental turnover and long-term durability, minimizing downtime and maintenance.

### Compared to other brands in the 800 kg class

- While other machines come with higher purchase and maintenance costs, PACLITE MD800H offers:
  - Better price-performance ratio.
  - Lower total cost of ownership.
  - More compact turning radius for confined spaces.
  - Simplified controls for easy operation.



Powered by



	Code	MD800H
	Model	MD800H KUBOTA
	Operating weight (kg)	870
	Maximum payload (kg)	800
	Bucket capacity (L)	270
	Dimensions (mm)	820 x 1893 x 1177
	Scissor height (mm)	1700
Engine	Type of working device	Self loading and unloading
	Engine model	KUBOTA D722
	Rated output power/speed (Kw/r/min)	10.2/2500
Speed	Maximum traveling speed (High/low) (km/h)	4,0
	Minimum walking speed (km/h)	2,0
	Maximum grade ability	30°
Ground pressure	Ground pressure (kPa)	26,13
	Material	Rubber
	Tension control type	Screw adjustment
Pump	Pump type	Gear double pump
Tank capacity	Working pressure (Mpa)	16
	Flow (L/min)	30
	Hydraulic oil tank (L) capacity	14
	Fuel tank capacity (L)	16



Control panel



Battery charging port



Battery master switch



12V USB socket for charging phone accessories, etc.

COMPACT

MOBILE EQUIPMENT

CONCRETE EQUIPMENT

SURFACING

CUTTING - GRINDING