

Constructional, rental companies, infrastructure & mining.

Deep Sea Control (DSE) intelligent lighting tower controller as option.

Code	PL2500-LED 50HZ	PL2500-LED 60HZ
model	PL2500 SMARTLIGHT	
<b>STRUCTURE</b>		
Maximum height - (m)	8	
Raising	Hydraulic or manual	
Rotation section - (°)	340	
Minimum dimension - L x W x H (mm)	2200 x 1500 x 3000	
Maximum dimension - L x W x H (mm)	2500 x 2600 x 8000	
Operation weight - (kg)	650	
Supporting leg	Three independent adjustable support legs provide stability to the light tower on site.	
<b>ENGINE</b>		
Engine	KOHLER® KDW702 GE715 GE515	
Number of cylinders	2	
Displacement - (cc)	686	
Power HP - (kW)	5 / 6	
Cooling	Water	
Engine rotation speed at 50/60 Hz (rpm)	1,500 / 1,800	
Fuel	Diesel	
Starting system	Electric	
Fuel tank capacity - (litre)	120	
Noise level - (dB(A))	65	
<b>GENERATOR</b>		
Model	LT3N - 75/4	
Single phase voltage mecc alte - (kVA-V)	3.5kVA-220V / 4.5kVA-220V	
Frequency - (hz)	50/60	
<b>LAMP</b>		
Type of light	400 W LED	
Number & power of light	4 x 400 W	
Degree of protection	IP67	
Body construction material	Die-cast aluminum/ Aluminium	
Lamp holder construction material	Die-cast aluminum/ Aluminium	
Dimensions - l x h x d (mm)	410 x 373 x 200	
<b>OPTIONS</b>		
110 or 220V outlet		
Deep Sea Control intelligent lighting tower controller		
CE trailer or non-CE trailer for export		
Certified power SAE J 1349		



Hydraulic gauge



Easy access rear hood



Level measuring to the ground



**OPTIONS**

Code	PL-PIC	CAB T3
Model	Lightning rod 2 m	Ground cable

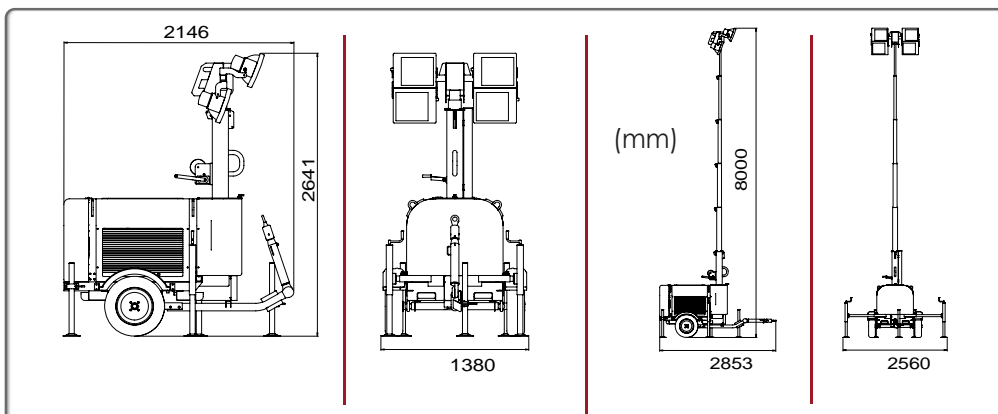


Forklift pockets and lifting hooks for easy loading for transport



Winged opening hood for ease of maintenance

Height-adjustable stabilizers to adapt to the ground



## The ultimate mobile telescopic lighting mast

The ultimate mobile telescopic lighting mast, offering unmatched performance, durability, and efficiency. Designed to meet your needs for powerful and energy-efficient lighting with its LED technology, the PL2500 is perfect for construction sites, mining projects, large-scale works, and outdoor events.

## More lighting options: enhanced mobility

PL2500 SMARTLIGHT 4 x 400 W: Brighter and eco-friendly light covering up to 9,800 m<sup>2</sup>, with over 90 hours of autonomy and 225,000 lumens.

The mast extends up to 8 meters for maximum coverage. Road-transportable with a CE-certified chassis or ready-to-use directly on-site.

## Unrivalled performance and durability

Manufactured in France and equipped with a KOHLER diesel engine, it is fuel-efficient, quiet (63 dBA at 8 m), and built to last.

Its robust casing, height-adjustable stabilisers, and 8-meter telescopic mast withstand harsh conditions and winds up to 80 km/h.

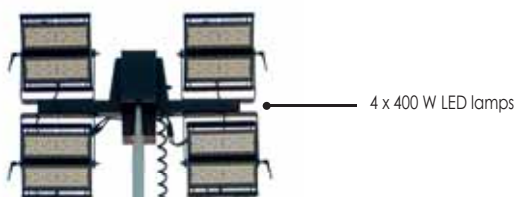
## FEATURES AND BENEFITS

- **Flexible Power Supply:** Additional socket for tools or supplementary lighting (up to 3 kW).
- **Easy Transport:** Compact design with forklift slots and lifting hooks for optimal mobility.
- **Simplified Maintenance:** Two large top doors provide quick and secure access to components.
- **Eco-Friendly and Road-Ready:** Low environmental impact with an optional road trailer for easy transport.
- **Suitable for Harsh Environments:** Designed for rental markets and demanding conditions, the PACLITE PL2500 delivers powerful lighting, maximum efficiency, and exceptional durability, making it the ultimate choice for the most challenging applications.

## OPTION DSE L401 MKII – Intelligent Lighting Tower Controller

Electronic control module with automatic dusk-to-dawn start/stop, lamp failure detection, engine & electrical protection, and hour meter. Optimises fuel use, reliability, and rental operation.

Projectors manufactured in Italy by



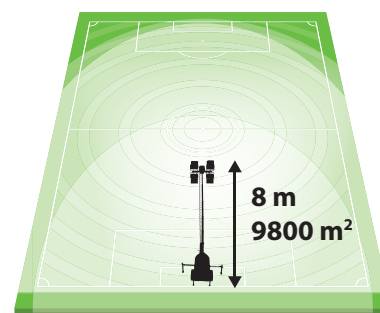
**KOHLER**



Deep Sea Control (DSE)  
intelligent lighting tower controller

OPTION DSE L401 MKII	Code
Deep Sea Control	DPS

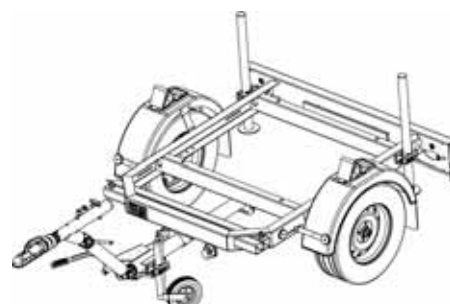
## ILLUMINATED AREA



Control panel with 230V CE outlet.  
Optional: 110V or 230V outlet



Site tow or option road tow



CE trailer option or non-CE trailer for export

COMPACTON

MOBILE EQUIPMENT

CONCRETE EQUIPMENT

SURFACING

CUTTING - GRINDING