

PLUG-IN tower light with rotating mast

The tower light MAXI LIGHT PLUG-IN LED DIALUX is available for diverse rental applications and to supply the users with solid lighting equipment that is easy to transport and meets all site requirements. The additional safety functions ensure that the lamps are protected during transport.

The most flexible and the most powerful lighting solution on the market, allowing the users to connect the tower light to every type of power supply, including an auxiliary supply, a generator, and even directly to the network.

FEATURES AND BENEFITS

- Ideal for special event management, projects in urban areas, temporary roads, public construction, and lighting.
- Durable, unbreakable LED lamps: more than 20,000 hours.
- Bright coverage area of 3000 m² (20 lux on average).
- Footboard facilitates dismantling.
- Compact.
- Economical.
- Perforated lamp armatures permitting wind to blow through without causing pressure on the mast.
- The 270° degree mast rotation improves the angle and lighting surface.



LAMPS
LED DIALUX-DUAL



Ecological

No emissions
No fuel



Enhanced safety

Telescopic
vertical mast
8 m



Removable foot step

PLUG-IN LED

Code	MAXLIGHT230VSW	MAXHYBRID
Model	MAXI-LIGHT PLUG-IN LED	MAXI-LIGHT PLUG-IN & GO HYBRID
Frequency (Hz)	50/60	50/60
Rated power hp (kW)	(0,64)	3 (2,2)
Winch	Manual	Manual
Height (m)	7	7
Minimum dimension (mm)	1160 × 800 × 2200	1160 × 800 × 2200
Maxi. dimension developed (mm)	1950 × 1250 × 7200	1950 × 1250 × 7200
Net weight (kg)	265	296
Lamp power (W)	160 W × 4	160 W × 4
Lamp type	LED	LED
Lighting area (5 lux min.) (m ²)	3000	3000
Lumen	61000	61000
Outlet socket 16 A - 230 V	Yes	Yes
Trailer	No	No
Programmable Hour Meter Astro clock/timer	Option	Option
Grounding cable	Option	Option
Sound pressure @ 7m (dB)	65	75
Engine	-	PACLITE*
Certified power SAE J 1349		



Enhanced safety

Telescopic
vertical mast
7 m



Removable foot step

*PACLITE ENGINE

Gasoline engine with manual start

Power: 3,1 cv (2,5 kw)

Autonomy: 8 h

Fuel tank: 10 l

Sound pressure: 75 (dB)

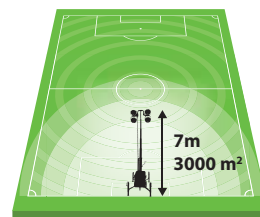
OPTION

Code

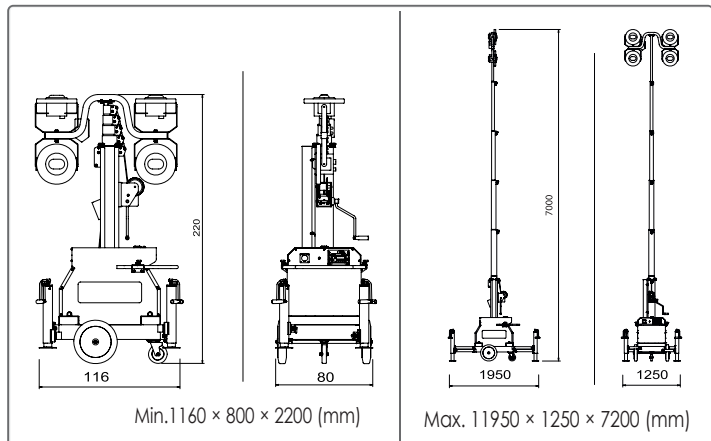
X-TRAIL For serial connection

TX2

PLUG-IN & GO HYBRID



Average 20 lux
Connected in series



COMPACT

MOBILE EQUIPMENT

CONCRETE EQUIPMENT

SURFACING

CUTTING - GRINDING