

## Reversible plate compactors

A series of reversible plates with an operating width of **600 mm**, offer robustness, compact size and are easy to operate on any construction site.

IMPACT series are equipped with low vibration-isolating handles, ergonomically designed and comfortable.

This equipment combines high efficiency, speed, and depth of compaction. The hydraulic servo control acts on the vibrating element, providing smooth, uniform movement and easy driving. The low vibration handle constitutes one of the most important advantages of this plate.

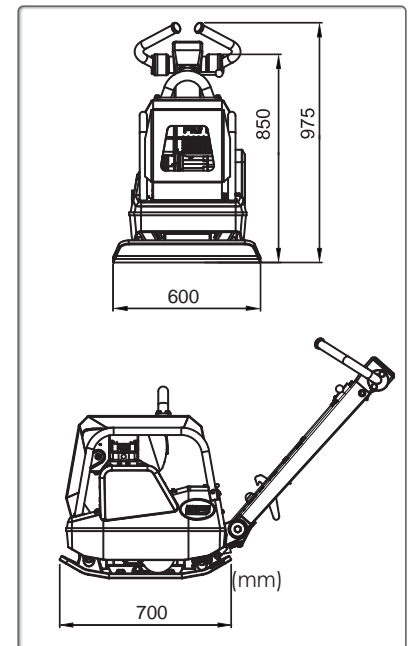
It is fixed on specially designed shock-absorbing blocks with exceptional compaction parameters (strength centrifuge: 30 kN), providing excellent results for the compaction of granular materials in trenches, foundation, and road repair projects.

## FEATURES AND BENEFITS

- Low hand-arm vibration handle.
- Lifelong lubricated bearings for extended service life.
- Exciter bearing design requires minimal maintenance for improved productivity.
- Strong V-belt cover.
- 30 kN excentric element.
- Convenient single lifting point.
- Engine speed adjustment lever on the handle.
- Standard engine: Honda 4-stroke or Hatz Diesel.
- Engine with oil alert on all models.
- Adjustable drawbar height.
- **Impact 230DHES**: electric and manual start.



MOULDED BOTTOM PLATE



Powered by



### IMPACT 230 with electric starter



Handle with integrated electric starter box



Low hand-arm vibration handle



Code	IMP150H	IMP200H	IMP200D	IMP230DHES
Model	IMPACT 150	IMPACT 200H	IMPACT 200	IMPACT 230
Engine	Honda GX160	Honda GX270	Hatz 1B20	Hatz 1B20
Start	Manual	Manual	Manual	Electric & Manual
Net power hp (kW)	4,8 (3,6)	4,6 (3,5)	4,6 (3,5)	4,6 (3,5)
Max. engine speed (rpm/min)	3600	3300	3300	3300
Plate dimensions L x W (mm)	648 x 500	700 x 600	700 x 600	700 x 600
Operating weight (kg)	150	210	230	238
Centrifugal force (kN)	35	35	35	35
Operating speed (m/min)	22	21	21	21
Compacted area (m <sup>2</sup> /h)	605	880	880	880
Compaction depth (cm)	88	88	88	88
Frequency (Hz)	90	90	90	90
Hand-ArmVibrations* (m/sec <sup>2</sup> )	2,9/4,33	3,5/4,33	3,5/4,33	2,8/4,33
Sound pressure level dB (A)	105	105	105	105
* Minimum vibration levels measured to EN500-4				
Certified power SAE J 1349				