

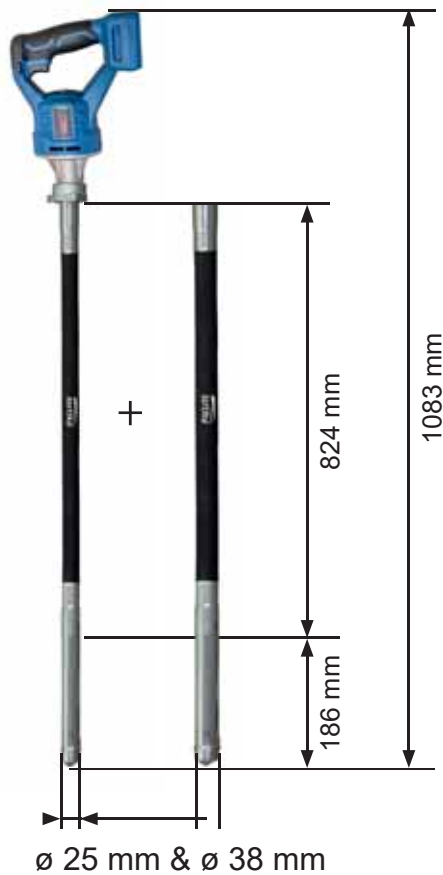
Two vibration sizes in one kit (Ø 25 + 38 mm)

Complete battery-powered concrete vibrator set for the rental industry includes two interchangeable vibrator heads and shafts (Ø 25 mm & Ø 38 mm) in one kit.

The PACLITE E-VIB offers a powerful and emission-free solution for concrete vibration on-site. Specially designed for rental applications, this complete set is delivered in a durable transport case and includes 2 Li-Ion batteries, a fast charger (110–230 V), and both Ø 25 mm and Ø 38 mm heads with flexible shafts.

FEATURES AND BENEFITS

- **All-in-one rental solution:** 2 vibrator heads and shafts (Ø25 & Ø 38 mm) supplied in one complete set.
- **Zero emissions:** Ideal for floors and in confined spaces.
- **Robust and rental-ready:** Induction-hardened heads, reinforced shaft hose, and shock-resistant casing.
- **Low hand-arm vibration:** Operator comfort and safety during extended use.
- **Battery-powered freedom:** Each 6.0 (A) 20 V Li-Ion battery delivers up to 40 minutes of continuous runtime. Average fast charging time is just 45 minutes.



x 2 batteries B1840

Code	E-28/E-38 ECO MAX
Model	E-VIB MAX 25 & 38 mm
Type	Flexible
Voltage	6.0 (A) 20 V Li-Ion battery 3-200 Hz
Frequency (Hz)	200
Dimensions L x W x H (mm)	1083 x 93 x 250
Head dimensions D x L (mm)	38 x 186
Weight (kg)	4,2
Total weight (kg)	9,4
Sound pressure (dB (A))	74

Battery	E-30/20 V
Chemical composition	Li-Ion battery
Battery capacity (Ah)	6.0
Average charging time (min)	50-60
Supplied batteries	x 2 - 20 Volt Li-ion
Compatible batteries	BL1830, BL1840
Net weight EPTA (kg)	3
Hand-arm vibrations on 3 axes (m/s ²)	3,6

* Measured according to ISO 5349



280-450 mm

The influence of Zone is determined by the diameter of vibrator head.



STANDARD ACCESSORIES

Transport case + 2 batteries
+ 1 battery charger



Battery charger C1860L

COMPACTION

MOBILE EQUIPMENT

CONCRETE EQUIPMENT

SURFACING

CUTTING - GRINDING