

Walk-behind floor saws Ø 450 & 500 mm

Our extensive range of floor saws includes productive saws for floors, driveways, car parks, roadways, runways, new concrete, old concrete and asphalt. The blades and machines must safely and powerfully work together with the material being cut.

In addition to prioritising the requirements of the users, we evaluate the capacity and efficiency of our equipment, allowing us to continually develop efficient solutions.

These floor saws are available with either gasoline or diesel engines.

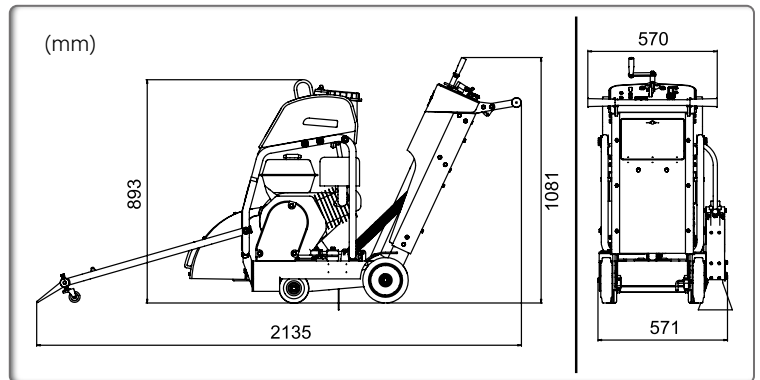
FEATURES AND BENEFITS

- Spring-loaded base plate pivot system.
- Poly-V belts for optimum power transmission.
- PACLITE floor saws are robust, well-designed, and easy to use thanks to features such as a protective cage, a lift bail, and a cutting depth indicator.
- Raise/lower assist system, using springs.
- Engine and blade shaft mounting system reduce vibrations and give better cutting performance.
- The bladeshaft system allows for a minimum of 250 maintenance-free hours and eliminates daily greasing of bearings.
- Spring-assist screw feed adjustment reduces the force required to adjust the blade in and out of the cut.
- Electronic hour meter.
- Integrated document and toolbox.
- Front drive axle mounted with four bearings.

Ø 400, 450 & 500 mm



EN13236



POWERED by
HONDA
norm SAE J1349

HATZ
DIESEL

KIPOR

	Code 301.40.10000	301.41.10001B40	301.42.10002C
Model	PRECISION CUT 4-5	PRECISION CUT 500D	PRECISION CUT 500P
Dimensions L x W x H (mm)	2135 x 571 x 1081	2135 x 571 x 1081	2135 x 571 x 1081
Weight (kg)	179	199	199
Max cutting depth (mm)	146-164-192	146-164-192	146-164-192
Blade size (mm)	400-450-500	400-450-500	400-450-500
Blade speed (m/s ²)	57,6	57,6	57,6
Water tank capacity (l)	37	37	37
Engine	Honda GX390	Hatz Diesel 1B40	Kipor KM186F
Net power hp (kW)	11,7 (8,7)	11 (7,5)	11 (7,5)
Rated engine speed (rpm)	3600	3100	3600
Fuel tank capacity (L)	6,1	3	5,5
Engine oil capacity (L)	1,1	1,5	1,65
Fuel consumption at rated power (L/h - rpm)	3,5 - 3600	2,4 - 3600	2,4 - 3600

Certified power SAE J 1349



Advanced control panel with hour meter



Document and tool box



Compact design