

Small concrete saw

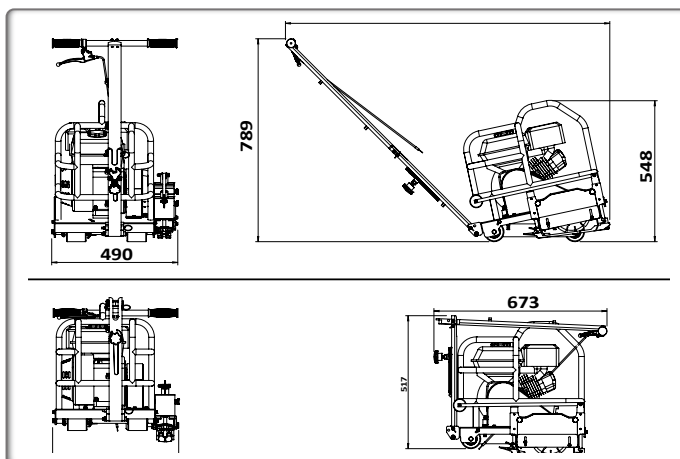
The FRESH-CUT saw is designed as an early entry saw and helps provide crack control for light commercial applications. Features a blade guard that allows the unit to be used on green and new concrete. It allows the saw to cut dry and controls debris for easy cleanup.

FEATURES AND BENEFITS

- Complete with blade and protection plate.
- Folding handle to reduce space during transport.
- Easy access to blade shaft tensioners.
- Low-noise blade housing.
- Longevity of use.
- Robust frame.
- Use FRESH CUT for the early cutting stage-in the first hours of placing the concrete to avoid random cracks.
- Saves time and costs.



POWERED by
HONDA
norm SAE J1349



Code	301.40.10003
Model	FRESH CUT
Dimensions L x w x H (mm)	1125 x 490 x 947
Operating weight (kg)	35
Max Cutting depth (mm)	50
Thickness of the disc (mm)	2,4
Dimensions of the disc (mm)	150
Engine	Honda GX120
Engine power - Hp (kW)	4,3 (3,2)
Rated engine speed (rpm)	3800

COMPACTON

MOBILE EQUIPMENT

CONCRETE EQUIPMENT

SURFACING

CUTTING - GRINDING