

Concrete Hand tools

Smooth or texture wet concrete to the required finish.

BULL FLOAT: lightweight magnesium alloy blade with a reinforced section to prevent warping. c/w Swivel & 3 snap fitting handles.

BIG BLUE-TOO: tempered 'Blue' steel blade with rounded corners c/w swivel & 3 snap-fitting handles.

FRESNO BROOM: with articulated turn knucklehead & shaft, a combination tool for applying a consistent brushed finish. c/w Swivel & 3 snap fitting handles.

FEATURES AND BENEFITS

- Delivered in three components; blade, articulation and three lengths of telescopic and interchangeable handles.



BULL FLOAT

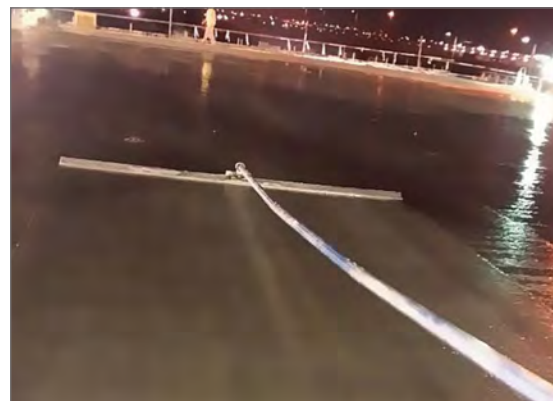
BIG BLUE-TOO

FRESNO BROOM



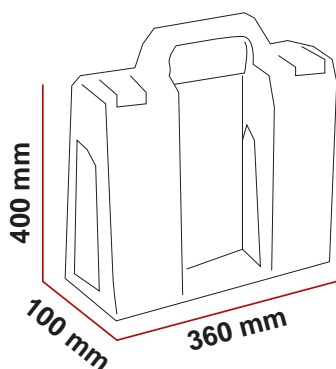
Aluminium handle
Code: BT00055

Tilting joint
Code: BT003300



Code	BIG BLUE-TOO	FRESNO 900	FRESNO 1200	BULL FLOAT
Model	BIG BLUE-TOO	FRESNO BROOM	FRESNO BROOM	BULL FLOAT
Dimensions l x W (mm)	1200 x 300	900 x 220	1200 x 220	1200 x 200

KIT BULL FLOAT & CARRYING CASE



KIT CONTENTS

- 1 profile of magnesium straightener,
- 1 oscillating joint,
- 3 aluminum handles 45 mm in diameter and 180 cm in length.
- 1 heavy duty carrying case