

PORTA-LIGHT TL225

Battery powered portable lighting tower



The lightweight and portable battery-powered lighting tower

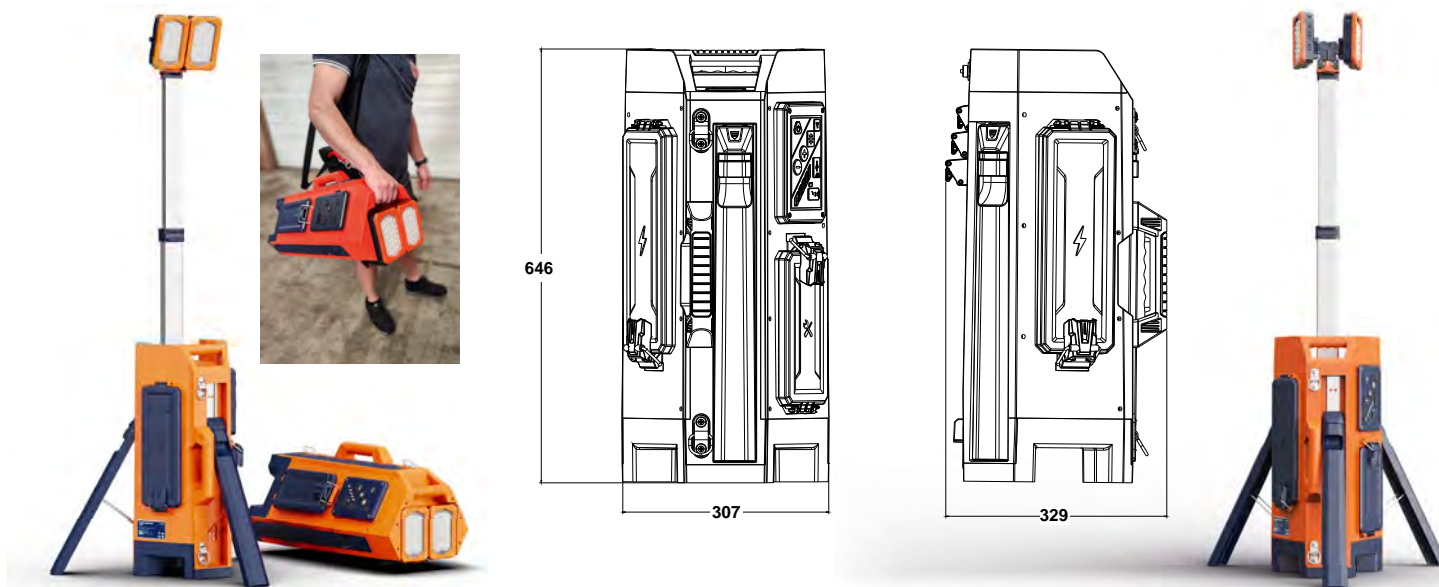
PORTA-LIGHT is not just a new lighting tower, but ALL IN ONE" embodies all PACLITE innovations and new technologies. This product is bringing together contractor and rental needs in one single product.

Long-lasting trihybrid battery pack with a high rate of charge and excellent performance at higher temperatures.

FEATURES AND BENEFITS

- Lightweight, easy to transport, only 12 kg.
- Bright & adjustable power - 8000 lm and 15000 lm, brightness control in 4 modes.
- Dimming driver.
- Pivotal dual headlamps, adjustable in any direction.
- Fast-charging batteries.
- Included 3 batteries & USB charger.

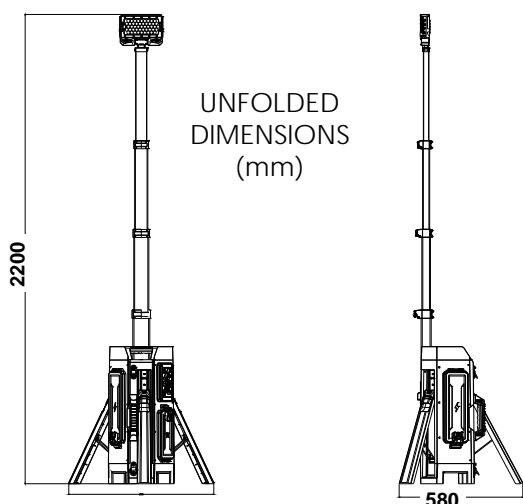
Powerful – Easy – Modular – Economical



Overall Dimensions (mm)



LED FLOODLIGHTS WITH ADJUSTABLE LIGHT POWER



| Code | PORTA-LIGHT |
|---|---|
| Model | PORTA-LIGHT TL225 |
| Lumen (lm) | 800 - 3000 - 5000 - 8000 |
| Time of endurance (D24-54 x 3) (h) | 48 h - 19,5 h - 7,5 h - 5 h |
| Light AC lumen (lm) | 15000 |
| Power | 230 V (50-60 Hz) & 110 V (50-60 Hz) |
| Battery power @ | 8000 lm - 10 hours |
| Net weight with battery (kg) | 12,8 |
| Size (mm) | 309 x 303 x 645 |
| Beam Angle | 40 ° |
| Usage Mode | Portable |
| Input voltage DC 24V (Battery) | DC 24 V (Battery) DC 36 V (Constant current power supply) |
| Battery | x 3 |
| USB socket | x 2 |
| USB socket output | 5V 2A |
| Number of support legs | x 4 |
| Height (m) | 0,645 - 2,25 |
| Lamp head horizontal rotation angle | 330 ° |
| Lamp head vertical rotation angle | 170 ° |
| Working Temperature | -10 - 50 |
| Working Humidity | 1 - 98 % |
| IP Grade | IP 65 |
| Material | Aluminum+Plastic composite |
| Packing size (not including battery) (mm) | 705 x 365 x 385 |

COMPACTION

MOBILE EQUIPMENT

CONCRETE EQUIPMENT

SURFACING

CUTTING - GRINDING