

Reversible plate compactors

A series of reversible plates with an operating width of **600 mm**, offer robustness and compact size and are easy to operate on any construction site.

IMPACT series are equipped with low vibration-isolating handles, ergonomically designed and comfortable.

This equipment combines high efficiency, speed, and depth of compaction. The hydraulic servo control acts on the vibrating element, providing smooth, uniform movement and easy driving. The low vibration handle constitutes one of the most important advantages of this plate.

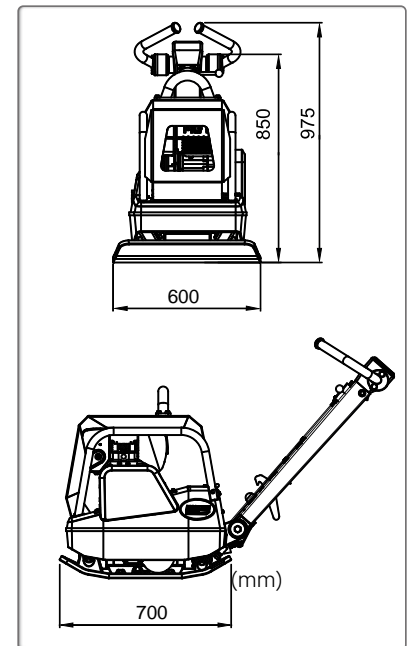
It is fixed on specially designed shock-absorbing blocks with exceptional compaction parameters (strength centrifuge: 30 kN), providing excellent results for the compaction of granular materials in trenches, foundation, and road repair projects.

FEATURES AND BENEFITS

- Low hand-arm vibration handle.
- Lifelong lubricated bearings for extended service life.
- Exciter bearing design requires minimal maintenance for improved productivity.
- Strong V-belt cover.
- 30 kN excentric element.
- Convenient single lifting point.
- Engine speed adjustment lever on the handle.
- Standard engine: Honda 4-stroke or Hatz Diesel.
- Engine with oil alert on all models.
- Adjustable drawbar height.
- **Impact 230DHES**: electric and manual start.



MOULDED BOTTOM PLATE



Powered by



IMPACT 230 with electric starter



Handle with integrated electric starter box



Low hand-arm vibration handle



| Code | IMP150H | IMP200H | IMP200D | IMP230DHES |
|--|-------------|-------------|------------|-------------------|
| Model | IMPACT 150 | IMPACT 200H | IMPACT 200 | IMPACT 230 |
| Engine | Honda GX160 | Honda GX270 | Hatz 1B20 | Hatz 1B20 |
| Start | Manual | Manual | Manual | Electric & Manual |
| Net power hp (kW) | 4,8 (3,6) | 4,6 (3,5) | 4,6 (3,5) | 4,6 (3,5) |
| Max. Engine speed (rpm/min) | 3600 | 3300 | 3300 | 3300 |
| Plate dimensions L x W (mm) | 648 x 500 | 700 x 600 | 700 x 600 | 700 x 600 |
| Operating weight (kg) | 150 | 210 | 230 | 238 |
| Centrifugal force (kN) | 35 | 35 | 35 | 35 |
| Operating speed (m/min) | 22 | 21 | 21 | 21 |
| Compacted area (m ² /h) | 605 | 880 | 880 | 880 |
| Compaction Depth (cm) | 88 | 88 | 88 | 88 |
| Frequency (Hz) | 90 | 90 | 90 | 90 |
| Hand-Arm Vibrations* (m/sec ²) | 2,9/4,33 | 3,5/4,33 | 3,5/4,33 | 2,8/4,33 |
| Sound pressure level dB (A) | 105 | 105 | 105 | 105 |

* Minimum vibration levels measured to EN500-4
Certified power SAE J 1349