

Reversible plate

The most modern and compact design with increased speed to allow greater compaction capacity and designed to meet the toughest job conditions. PACLITE compact series forward/reverse vibratory plate with excellent compaction data.

Speed and compaction depths are regulated seamlessly via hydraulic servo-control of the eccentric element. This gives the plate smooth motion and makes it very easy to operate. All-round plates for compaction work close to piles and concrete bases. Also for floor filling and foundations as well as backfill in pipe trenches.

FEATURES AND BENEFITS

- Increased forward travel speed for greater surface capacity.
- The same forward and reverse speed produces more consistent results, e.g. in plaster compaction.
- Reinforced covers and fastening elements for increased protection and thus lower maintenance costs.
- The moulded bottom plate is made of wear-resistant steel GJS-700.
- Long operating times thanks to low hand-arm vibrations.
- Lifting point.
- Engine with oil alert on all models.
- The handle can be positioned vertically for better manoeuvrability.
- Optimized rubber shock mounts reduce hand-arm vibrations transmitted to the operator.
- Loading onto trucks or placement in trenches is facilitated by a strong lifting eye.
- Stop alarm engaged when the engine is on "stop".



OPTION: GEL BATTERY



Expanders



Manual dual starter



Low HAV handle with rubber mounts and servo control



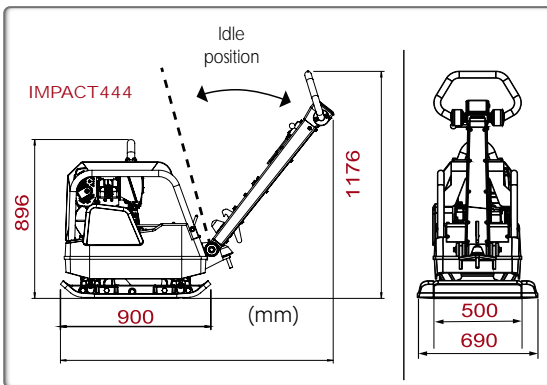
Removable hood



Electric start



Easy access for battery service and jump start



Powered by



Code	IMP444DH-ES
Model	IMPACT 444
Dimensions L x W (mm)	1671 x 690 x 1153
Operating weight (kg)	465
Centrifugal force (kN)	55
Working width (without extensions) (mm)	500 + 2 x 95
Thickness of bottom plate (mm)	12
Operating speed (m/min)	26
Compacted area (m ² /h)	912
Frequency (Hz)	80
Engine	Hatz diesel 1B40-V5
Engine power hp (kW)	10 (7,5)
Power (rpm)	2900-3600
Engine consumption (l/h)	1,8
Engine single cylinder	Air-cooled
Start	Electric and auxiliary rope
Automatic cut-off in case of lack of oil	Yes
Hand-arm vibration* (m/s ²)	3,1
Vibrations* m/s ² /utilisation (hrs)	3,2/4,53
* Minimum vibration levels measured to EN500-4	
Certified power SAE J 1349	

