

The lightweight and portable battery-powered Lightning tower

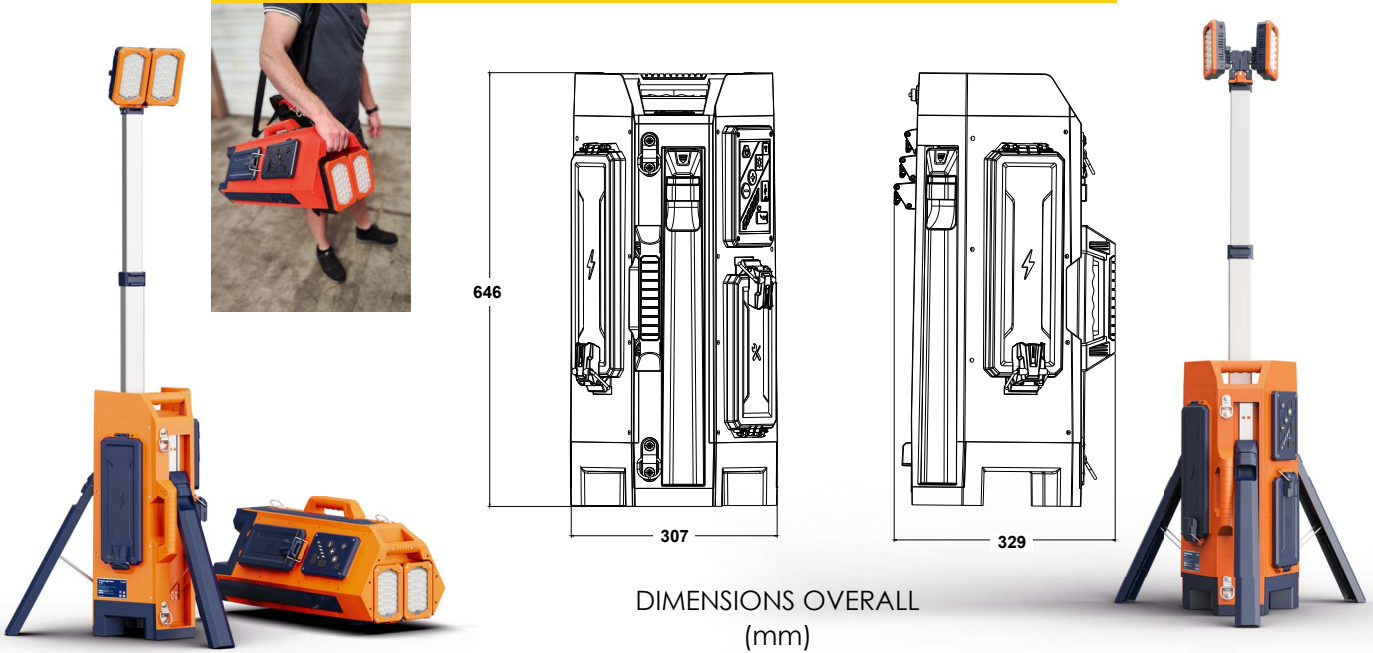
POTA-LIGHT is not just a new lighting tower, but ALL IN ONE" embodies all PACLITE innovations and new technologies. This product is bringing together Contractor & Rental needs in one single product.

Long lasting Trihydrid battery pack with a high rate of charge and excellent performance at higher temperatures.

FEATURES AND BENEFITS

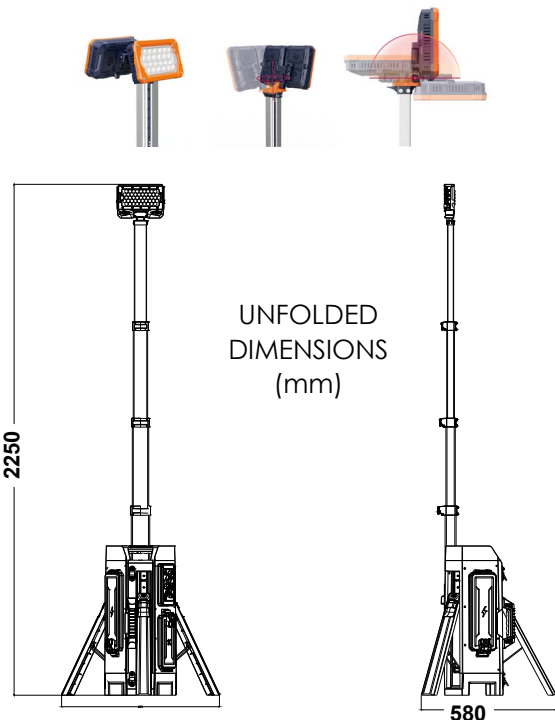
- **Light weight, easy portable, only 12 kg.**
- Bright & adjustable power - 8000 lm and 15000 lm, brightness control in 4 modes.
- USB charger.
- Dimming driver.
- Pivotal dual head lamps, adjustable in any direction.
- Fast charging batteries.
- Included 3 batteries power & charger.

Powerful – Easy – Modular – Economical



DIMENSIONS OVERALL (mm)

LED FLOODLIGHTS WITH ADJUSTABLE LIGHT POWER



	CODE	PORTA-LIGHT
	MODEL	ECO BALANCE STANDARD TURBO
	Lumen (lm)	800 - 3000 - 5000 - 8000
	Time of endurance (D24-54 x 3) (h)	48 h - 19,5 h - 7,5 h - 5 h
	Light AC lumen (lm)	15000
	Power	230 V (50-60 Hz) & 110 V (50-60 Hz)
	Battery power @	8000 lm - 10 hours
	Net weight (including battery)	12,8 kg
	Size (mm)	309 x 303 x 645
	Beam Angle	40 °
	Usage Mode	Portable
	Input voltage DC 24V (Battery)	DC 24 V (Battery) DC 36 V (Constant current power supply)
	Battery	x 3
	USB socket	x 2
	USB socket output	5V 2A
	Number of support legs	x 4
	Height	0,645 - 2,25
	Lamp head horizontal rotation angle	330 °
	Lamp head vertical rotation angle	170 °
	Working Temperature	-10 - 50
	Working Humidity	1 - 98 %
	IP Grade	IP 65
	Material	Aluminum+Plastic composite
	Packing size (not including battery) (mm)	705 x 365 x 385