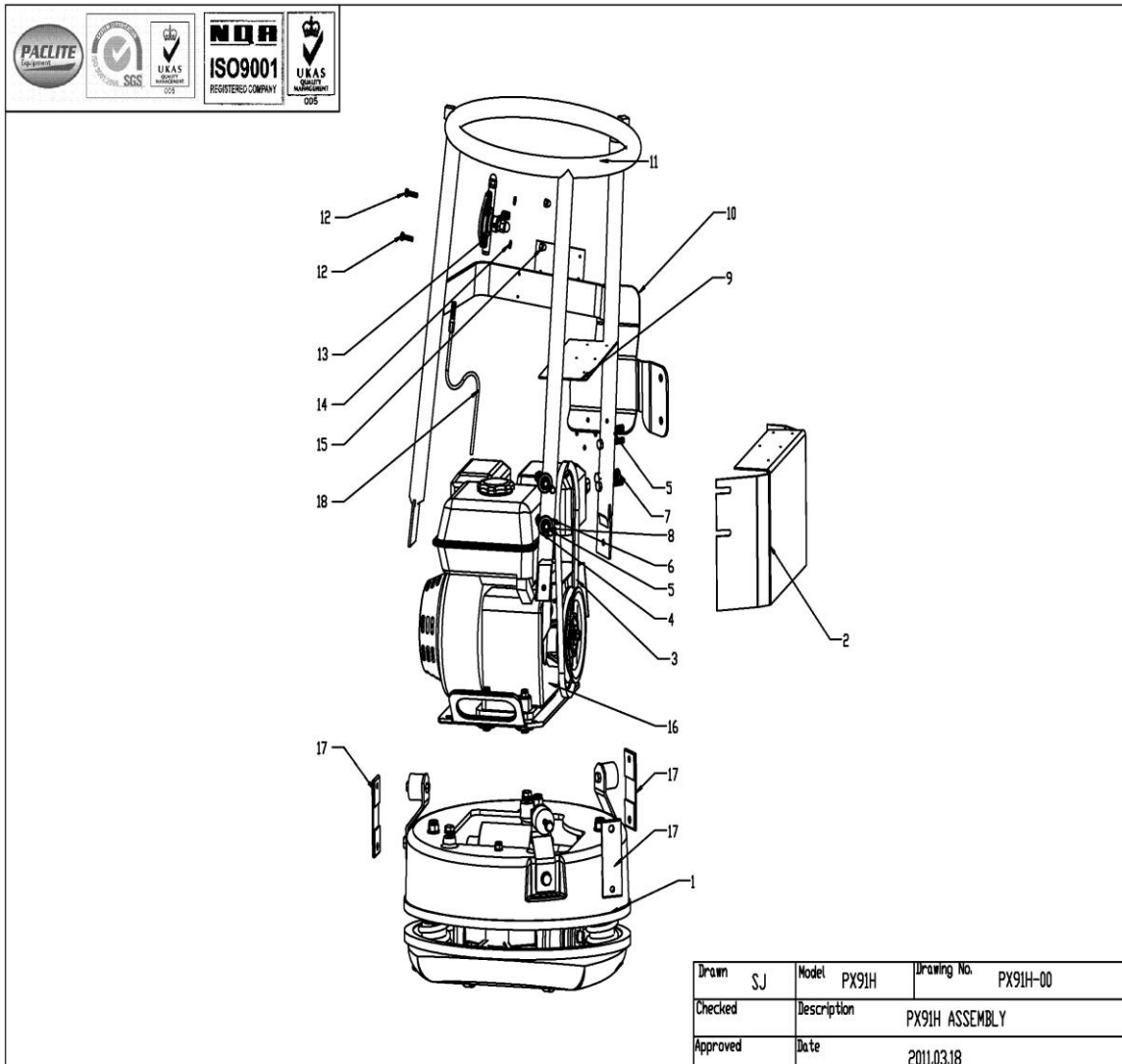


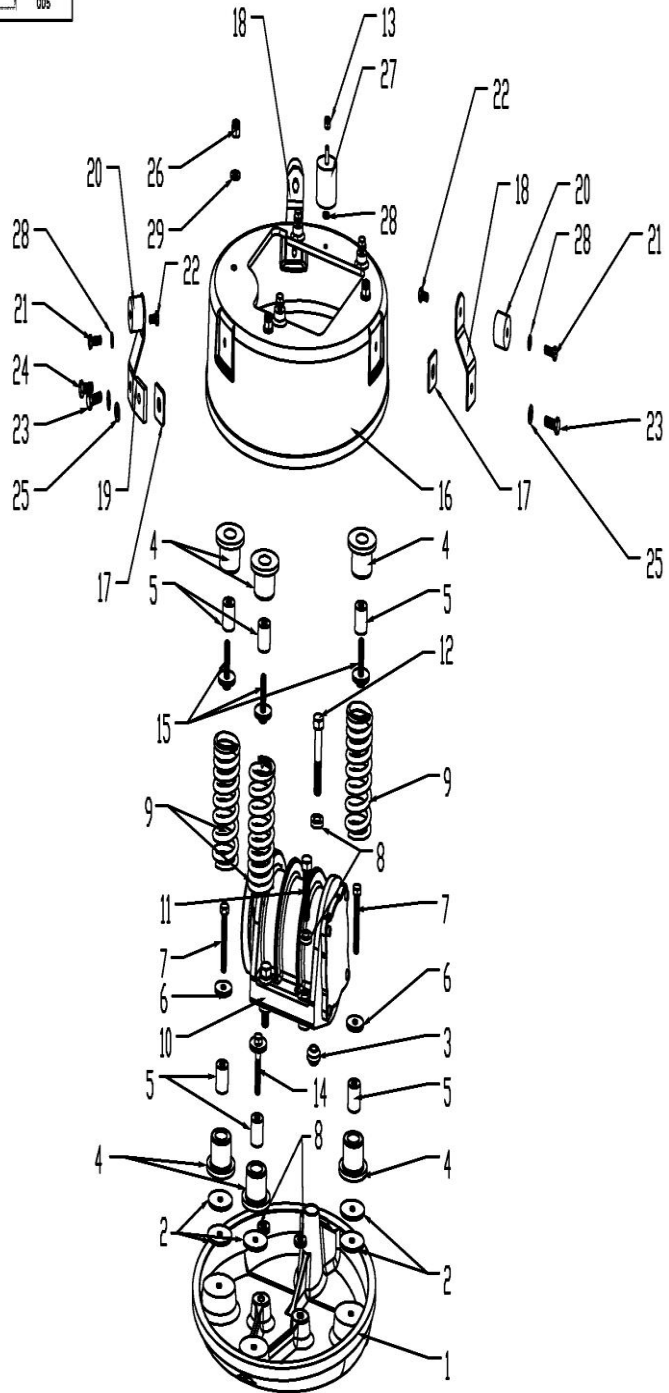
PX91H-00 ASSEMBLY

NO	PART NO	PART DESCRIPTION	QTY	UNIT PRICE (EUR) 2023
00-1	PX91H-01	ENGINE BASE ASSEMBLY	1	1 143,06 €
00-2	PX91H-24-A	SAFTEY COVER	1	55,80 €
00-3	PX91H-W02-B35	V-BELT	2	18,55 €
00-4	PX91H-WOD.W10-GB-1	WASHER	2	0,40 €
00-5	PX91H-FN.W10-DIN-1	WASHER	2	0,30 €
00-6	PX91H-FNL.N-M10-DIN-1	NUT	4	0,40 €
00-7	PX91H-FN.B-M10x45-8.8-DIN-1	BOLT	2	0,50 €
00-8	PX91H-FN.B-M10x40-8.8-DIN-1	BOLT	2	0,50 €
00-9	PX91H-66-A	SAFETY COVER SHEET	1	49,15 €
00-10	PX91H-39-A	SIDE SAFETY COVER	1	66,30 €
00-11	PX91H-18-B	SAFTEY BAR	1	155,61 €
00-12	PX91H-FN.B-M6x20-8.8-DIN-1	BOLT	2	0,35 €
00-13	PX91H-RAM70ND-010018	THROTTLE LEVER	1	108,48 €
00-14	PX91H-HSPG.W6-DIN-1	WASHER	2	0,35 €
00-15	PX91H-HC.N-M6-DIN-1	NUT	2	0,40 €
00-16	PX91H-07-A	ENGINE MOUNT ASSEMBLY	1	952,50 €
00-17	PX91H-15-A	LIMITER	3	2,25 €
00-18	PX91H-W06-S04-L800x600	THROTTLE CABLE	1	78,50 €



PX91H-01 ENGINE BASE ASSEMBLY

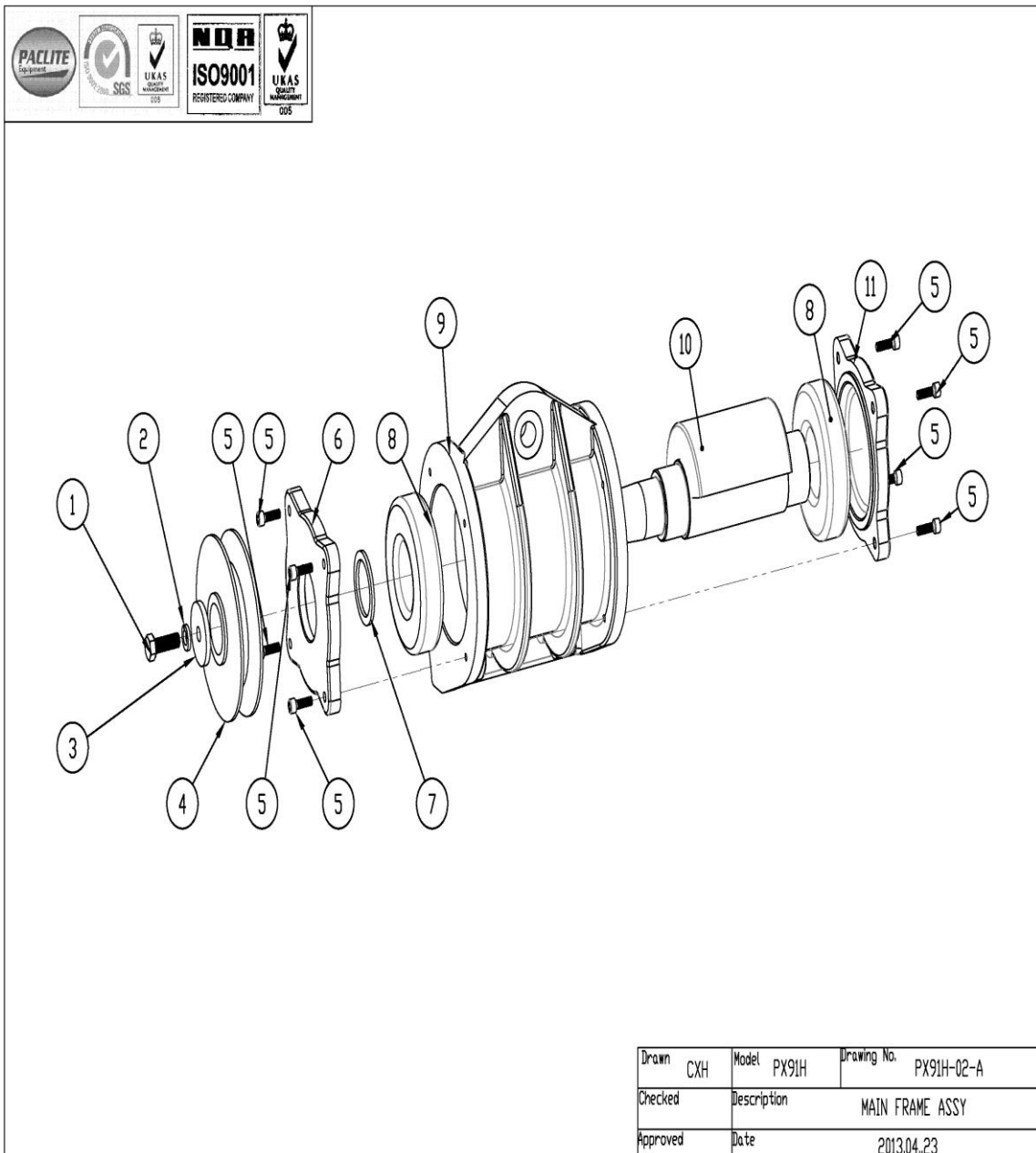
NO	PART NO.	PART DESCRIPTION	QTY	UNIT PRICE (EUR) 2023
01-1	PX91H-01-A	BOTTOM PLATE	1	303,06 €
01-2	PX91H-61-A	BASE PLATE SUPPORT	5	3,45 €
01-3	PX91H-25-A	EXCITER MOUNT	1	4,80 €
01-4	PX91H-06-A	BASE PLATE SHOCK MOUNT	6	10,85 €
01-5	PX91H-28-A	SPRING ROD	6	3,60 €
01-6	PX91H-62-A	SPRING SUPPORT	3	8,45 €
01-7	PX91H-ISO4016-M12x70x38-WN	BOLT	2	0,70 €
01-8	PX91H-26-A	EXCITER SUPPORT	5	1,60 €
01-9	PX91H-57-A	SPRING	3	25,25 €
01-10	PX91H-02-A	GEAR BOX ASSEMBLY	1	646,08 €
01-11	PX91H-FN.B-M16x60-8.8HALF-DIN-1	BOLT	2	1,40 €
01-12	PX91H-FN.B-M16x80-8.8HALF-DIN-1	BOLT	1	1,50 €
01-13	PX91H-IN.N-M8-DIN-1	NUT	1	0,40 €
01-14	PX91H-FN.B-M12x60-8.8-DIN-1	BOLT	1	0,90 €
01-15	PX91H-47-A	SHOCK MOUNT BOLT ASSEMBLY	1	4,55 €
01-16	PX91H-01.1-A	ENGINE BASE	1	189,12 €
01-17	PX91H-22-A	BRACKET PLATE	3	16,75 €
01-18	PX91H-19-A	BRACKET1	2	27,55 €
01-19	PX91H-19.1-A	BRACKET2	1	33,25 €
01-20	PX91H-49-A	BRACKET SHOCK MOUNT	3	9,05 €
01-21	PX91H-FN.B-M8x25-8.8-DIN-1	BOLT	3	0,45 €
01-22	PX91H-FN.B-M8x16-8.8-DIN-1	BOLT	3	0,40 €
01-23	PX91H-FN.B-M10x30-8.8-DIN-1	BOLT	6	0,55 €
01-24	PX91H-FN.B-M10x15-8.8-DIN-1	BOLT	1	0,50 €
01-25	PX91H-FN.W10-DIN-1	WASHER	7	0,30 €
01-26	PX91H-IN.N-M12-DIN-1	NUT	3	0,55 €
01-27	PX91H-72-A	ENGINE BASE SHOCK MOUNT	1	16,75 €
01-28	PX91H-FN.W8-DIN-1	WASHER	4	0,30 €
01-29	PX91H-FN.W12-DIN-1	WASHER	3	1,35 €



Drawn	SJ	Model	PX91H	Drawing No.	PX91H-01
Checked		Description	ENGINE BASE ASSEMBLY		
Approved		Date	2011.03.18		

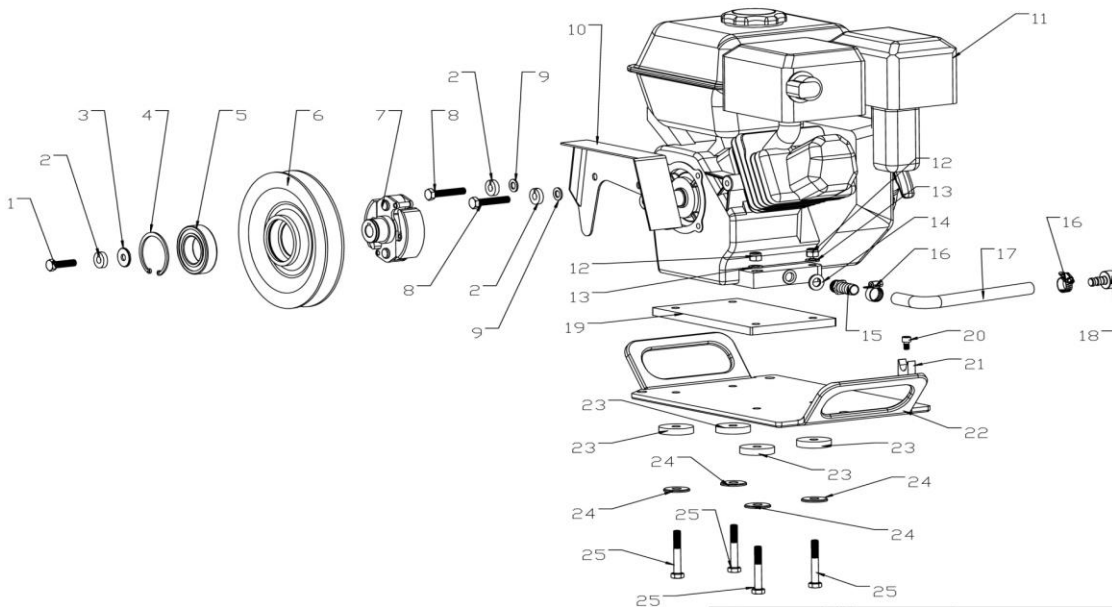
PX91H-02-A GEAR BOX ASSEMBLY

NO	PART NO.	PART DESCRIPTION	QTY	UNIT PRICE (EUR) 2023
02-1	PX91H-ISO 4762 M10 X 25 - DIN-1	BOLT	1	1,00 €
02-2	PX91H-HSPG.W10-DIN-1	LOCK WASHER	1	0,30 €
02-3	PX91H-79-A	GEARBOX PULLEY WASHER	1	16,70 €
02-4	PX91H-105-A	GEARBOX PULLEY	1	135,60 €
02-5	PX91H-HS.B-M6x20-8.8-GB-1	BOLT	8	0,45 €
02-6	PX91H-04.1-A	BEARING COVER RIGHT	1	160,06 €
02-7	PX91H-NAK -TC-40*52*8	OIL SEAL	1	7,05 €
02-8	PX91H-W01-6310Z-C3-J	BALL BEARING	2	204,16 €
02-9	PX91H-03-B	GEAR BOX	1	195,63 €
02-10	PX91H-17-A	ECCENTRIC WEIGHT SHAFT	1	119,04 €
02-11	PX91H-04-A	BEARING COVER LEFT	1	105,08 €



PX91H-07-A ENGINE MOUNT ASSEMBLY

NO	PART NO.	PART DESCRIPTION	QTY	UNIT PRICE (EUR) 2023
1	PX91H-FN.B-M8x30-8.8-DIN-1	BOLT	1	0,45 €
2	PX91H-HSPG.W8-DIN-1	LOCK WASHER	3	0,30 €
3	PX91H-73-A	ENGINE PULLEY WASHER	1	2,15 €
4	PX91H-CH.RG55	CIRCLIPS FOR HOLES	1	3,45 €
5	PX91H-W01-6006ZZ-J	BEARING	1	18,10 €
6	PX91H-106-A	PULLEY	1	140,96 €
7	PX91H-80-0500B	CLUTCH	1	101,92 €
8	PX91H-FN.B-M8x45-8.8-DIN-1	BOLT	2	0,45 €
9	PX91H-FN.W8-DIN-1	WASHER	2	0,30 €
10	PX91H-30.2-A	CLUTCH COVER ASSEMBLY	1	80,44 €
11	PX91H-W05-GX160H1-SX	HONDA ENGINE GX160	1	
12	PX91H-IN.N-M8-DIN-1	NUT	4	0,45 €
13	PX91H-WOD.W8-GB-1	WASHER	4	0,35 €
14	PX91H-FN.W10-DIN-1	WASHER	1	0,30 €
15	PX91H-29-A	DRAIN CONNECTOR	1	11,40 €
16	PX91H-HOOP.D20-45	HOSE PIPE CLAMP	2	16,70 €
17	PX91H-09-A	HOSE PIPE	1	63,90 €
18	PX91H-27-A	DRAIN PLUG	1	3,90 €
19	PX91H-13-A	ENGINE RUBBER SHEET	1	103,72 €
20	PX91H-HS.B-M4x6-8.8-GB-1	BOLT	1	0,45 €
21	PX91H-10-A	HOSE PIPE BRACKET	1	6,00 €
22	PX91H-23-A	ENGINE PLATE	1	154,92 €
23	PX91H-05-A	ENGINE PLATE SHOCK MOUNT	4	2,55 €
24	PX91H-21-A	ENGINE SHOCK MOUNT SUPPORT	4	1,30 €
25	PX91H-FN.B-M8x55-8.8-DIN-2	BOLT	4	0,75 €



设计	CXH	型号	PX91H	图号	PX91H-07-A
审核		零件名称	ENGINE MOUNT ASSEMBLY		
审定		日期	2013.04.23		