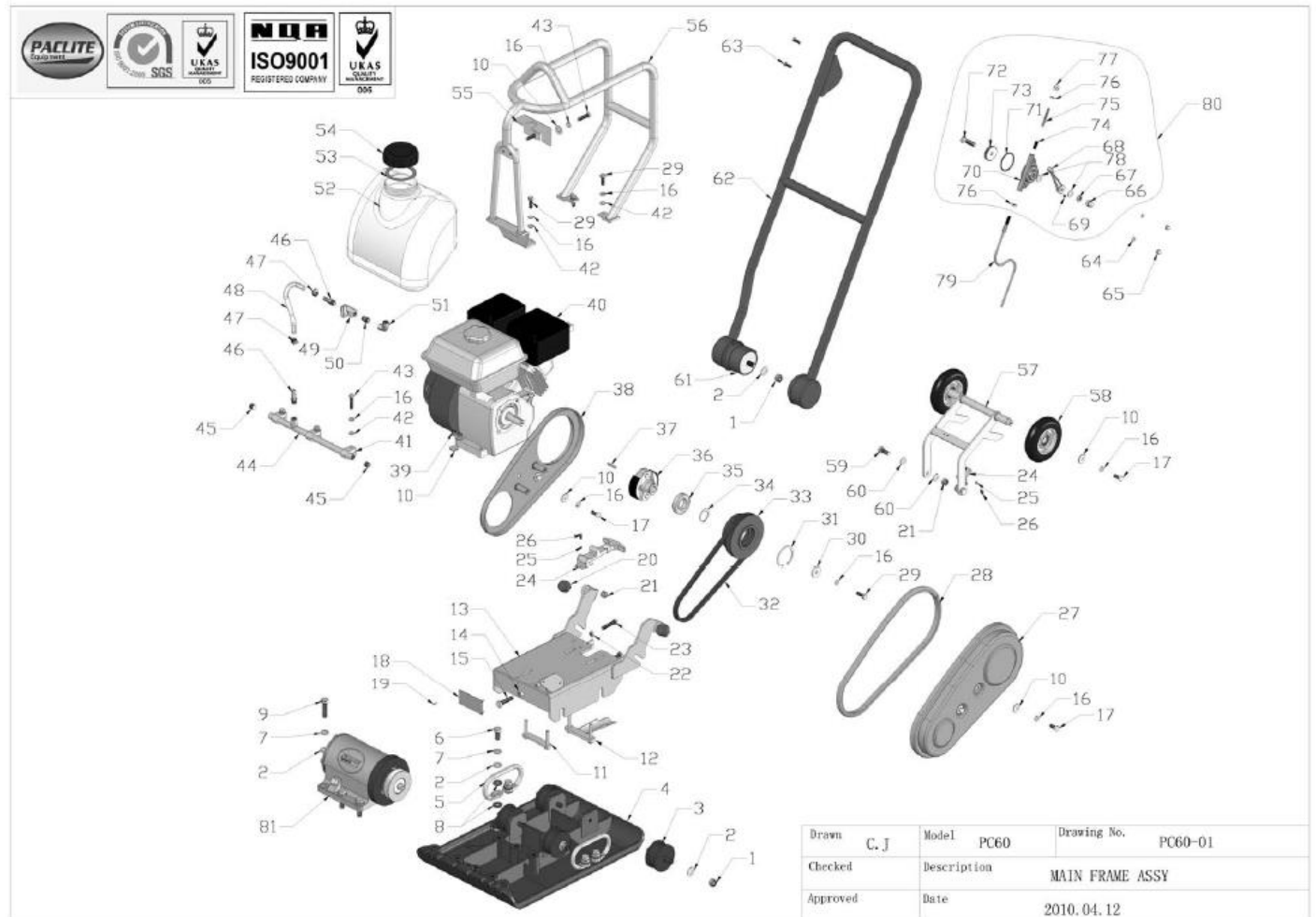


PC60-01 MAIN FRAME ASSY

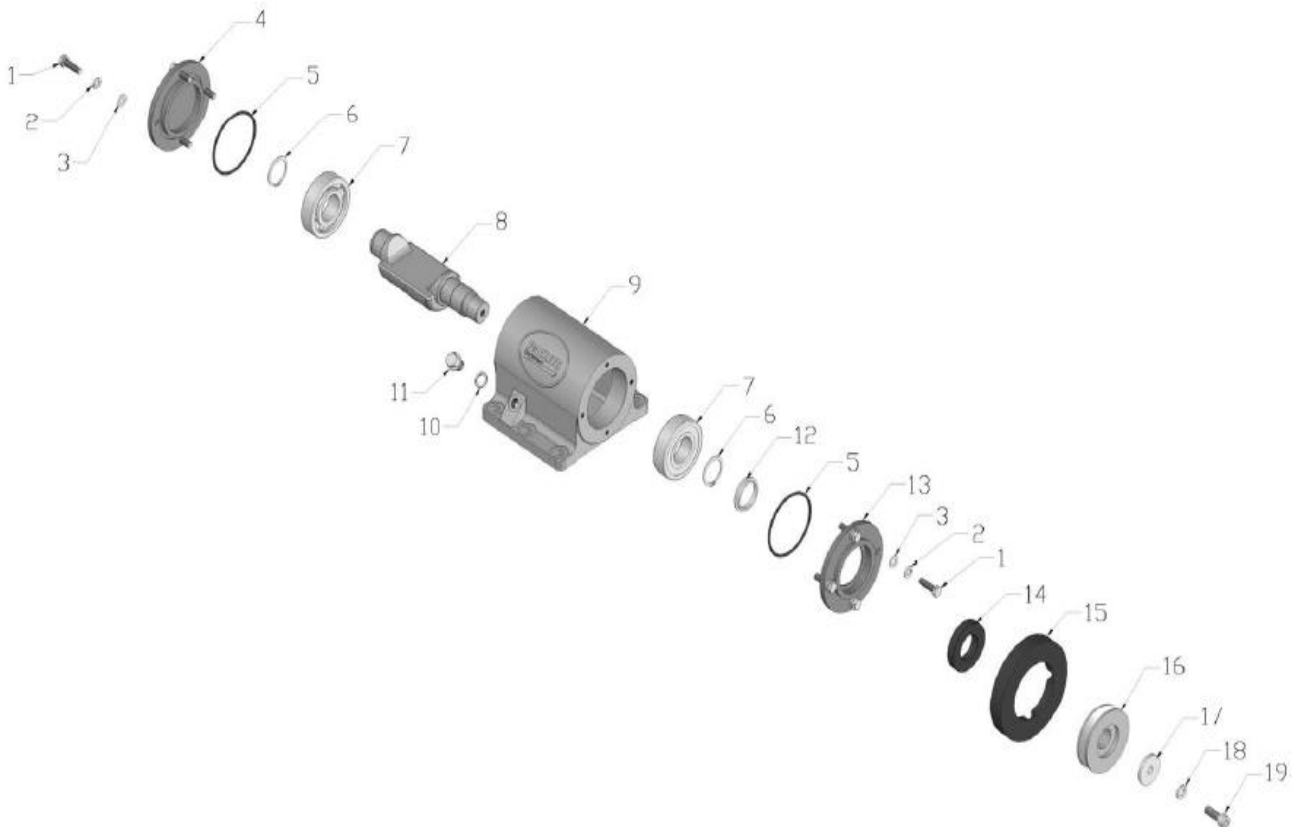
NO	PART NO	PART DESCRIPTION	QTY	UNIT PRICE (EUR) 2023
01-1	PC60-IN.N-M12-DIN-1	LOCK NUT	6	0,55 €
01-2	PC60-FN.W12-DIN-1	WASHER	16	1,35 €
01-3	PC60-60III-060100	CUSHION	4	32,25 €
01-4	PC60-60W-010100S	BASE PLATE	1	389,61 €
01-5	PC60-90P-010100	HANDLE	2	45,50 €
01-6	PC60-FN.B-M12x25-8.8-DIN-1	BOLT	4	0,50 €
01-7	PC60-HSPG.W12-DIN-1	SPRING WASHER,TANG ENDS	10	0,35 €
01-8	PC60-90P-010600	RUBBER WASHER	8	4,75 €
01-9	PC60-HS.B-M12x45-12.9-GB-3	SCREW	6	1,65 €
01-10	PC60-WOD.W8-GB-1	WASHER	14	0,35 €
01-11	PC60-60-060200	BOLT	1	11,00 €
01-12	PC60-90P-031000	FIX ENGINE BOLT	1	19,45 €
01-13	PC60-60W-020100	ENGINE BASE	1	131,72 €
01-14	PC60-FN.N-M10-DIN-1	NUT	1	0,40 €
01-15	PC60-FN.B-M10x45-8.8-DIN-1	BOLT	1	0,50 €
01-16	PC60-HSPG.W8-DIN-1	SPRING WASHER,TANG ENDS	24	0,30 €
01-17	PC60-FN.B-M8x20-8.8-DIN-1	BOLT	6	0,35 €
01-18	PC60-80-0409	NAMEPLATE	1	2,30 €
01-19	PC60-K.RVT-3.2x11	RIVET	4	0,50 €
01-20	PC60-80-0408	CUSHION	2	15,80 €
01-21	PC60-IN.N-M10-DIN-1	LOCK NUT	4	0,40 €
01-22	PC60-FN.N-M8-DIN-1	NUT	2	0,30 €
01-23	PC60-FN.B-M8x45-8.8-DIN-1	BOLT	2	0,45 €
01-24	PC60-500S-010505	BUCKLE	1	42,30 €
01-25	PC60-SPG.W5-DIN-1	SPRING WASHER	4	0,30 €
01-26	PC60-FN.B-M5x10-8.8-DIN-1	BOLT	4	0,45 €
01-27	PC60-60W-060200	OUTER BELT GUARD	1	91,10 €
01-28	PC60-60W-060300	SEAL	1	25,90 €
01-29	PC60-FN.B-M8x25-8.8-DIN-1	BOLT	5	0,45 €
01-30	PC60-80-0319	WASHER	1	6,25 €
01-31	PC60-CH.RG55	INTERNAL CIRCLIP	1	3,45 €
01-32	PC60-W02-A30	V-BELT	1	31,10 €
01-33	PC60-40-0318	CLUTCH PULLEY	1	118,60 €
01-34	PC60-CS.RG30	EXTERNAL CIRCLIP	1	0,45 €
01-35	PC60-W01-6006ZZ-J	BEARING	1	18,10 €
01-36	PC60-80-0500C	CENTRIFUGAL CLUTCH	1	148,04 €
01-37	PC60-Key.C-5x5x32	KEY	1	9,40 €
01-38	PC60-60W-060100	INNER BELT GUARD	1	91,95 €
01-39	PC60-IN.N-M8-DIN-1	LOCK NUT	4	0,45 €
01-40	PC60-W05-GX120	ENGINE	1	
01-41	PC60-90P-010901	HOOP	3	43,15 €
01-42	PC60-FN.W8-DIN-1	WASHER	15	0,30 €
01-43	PC60-FN.B-M8x35-8.8-DIN-1	BOLT	5	0,40 €
01-44	PC60-60W-010800	SPRINKLING PIPE	1	97,35 €
01-45	PC60-HSHOS.B-ZG1-4	HEXAGONAL SOCKET HEAD PLUG	2	2,00 €
01-46	PC60-CPT-BT-1/4-10	HOSE NIPPLE	2	6,25 €
01-47	PC60-90P-070006	HOSE CLAMP	2	2,40 €
01-48	PC60-60W-010700	HOSE	1	6,25 €
01-49	PC60-QF-1/4-NI	VALVE	1	26,70 €
01-50	PC60-CPT-BT-1/4	JOINT	1	8,60 €
01-51	PC60-CPT-JT-ZG1/4	90° ELBOW	1	11,75 €
01-52	PC60-90P-070000	WATER TANK	1	130,56 €
01-53	PC60-6.5-070109	SEAL,WATER TANK COVER	1	6,65 €

01-54	PC60-6.5-070108	WATER TANK CAP	1	31,40 €
01-55	PC60-90P-050300	WATER TANK CLIP	1	38,40 €
01-56	PC60-60W-050100	WATER TANK FRAME	1	136,16 €
01-57	PC60-60W-040100	WHEEL FRAME	1	94,12 €
01-58	PC60-60W-040200	WHEEL	2	74,60 €
01-59	PC60-FN.B-M10x25-8.8-DIN-1	BOLT	2	0,45 €
01-60	PC60-FN.W10-DIN-1	WASHER	4	0,30 €
01-61	PC60-90B-030100	HANDRAIL ABSORBER	2	22,05 €
01-62	PC60-60W-030100-C	HANDRAIL	1	161,91 €
01-63	PC60-FN.B-M6x20-8.8-DIN-2	BOLT	2	0,35 €
01-64	PC60-HSPG.W6-DIN-2	SPRING WASHER,TANG ENDS	2	0,35 €
01-65	PC60-HC.N-M6-DIN-2	CAP NUT	2	0,40 €
01-66	PC60-HC.N-M10-DIN-2	CAP NUT	1	1,30 €
01-67	PC60-FNL.N-M10-DIN-2	HEXAGON THIN NUT	1	0,40 €
01-68	PC60-70ND-060000	THROTTLE LEVER	1	29,05 €
01-69	PC60-FHSS.S-M6x8-GB-3	SOCKET SCREW WITH FLAT HEAD	1	0,35 €
01-70	PC60-70ND-060001	THROTTLE BODY	1	38,95 €
01-71	PC60-W04-45x3	O-RING	1	6,00 €
01-72	PC60-70ND-060003	BOLT	1	16,25 €
01-73	PC60-70ND-060002	THROTTLE GEAR	1	32,45 €
01-74	PC60-FHSS.S-M8x20-GB-3	SOCKET SCREW WITH FLAT HEAD	1	3,30 €
01-75	PC60-70ND-060004	SLIDER	1	9,70 €
01-76	PC60-FNL.N-M8-DIN-2	HEXAGON THIN NUT	2	0,30 €
01-77	PC60-HC.N-M8-DIN-2	CAP NUT	1	0,45 €
01-78	PC60-FN.W10-DIN-2	WASHER	2	0,30 €
01-79	PC60-W06-S04-L800x1000	THROTTLE CABLE	1	64,50 €
01-80	PC60-70ND-010018	THROTTLE LEVER ASSY	1	108,48 €
01-81	PC60-02	EXCITER HOUSING ASSY	1	
01-82	PC60-010300.3	NYLON BUSH	2	17,35 €



PC60-02 EXCITER HOUSING ASSY

NO	PART NO.	PART DESCRIPTION	QTY	UNIT PRICE (EUR) 2023
02-1	PC60-FN.B-M8x30-8.8-DIN-1	BOLT	8	0,45 €
02-2	PC60-HSPG.W8-DIN-1	SPRING WASHER,TANG ENDS	8	0,30 €
02-3	PC60-FN.W8-DIN-1	WASHER	8	0,30 €
02-4	PC60-60-010400	CLOSE COVER	1	40,75 €
02-5	PC60-W04-80x3.5	O RING	2	6,25 €
02-6	PC60-CS.RG35	EXTERNAL CIRCLIP	2	0,70 €
02-7	PC60-W01-6307Z-J	BEARING	2	51,40 €
02-8	PC60-60W-010200	EXCITER SHAFT	1	115,48 €
02-9	PC60-60-010200P	EXCITER HOUSING	1	318,06 €
02-10	PC60-GB97.1-M14	CUPRUM WASHER	1	0,95 €
02-11	PC60-HHOS.B-M14x1.5	HEXAGON HEAD PLUG	1	2,00 €
02-12	PC60-60-010700	BUSH	1	6,25 €
02-13	PC60-60-010300	COVER	1	40,80 €
02-14	PC60-W03-65x35x12	OIL SEAL	1	9,40 €
02-15	PC60-60III-010500	COVER GUARD	1	28,15 €
02-16	PC60-40-060200	EXCITER PULLEY	1	74,55 €
02-17	PC60-60-060301	WASHER	1	23,55 €
02-18	PC60-HSPG.W10-DIN-1	SPRING WASHER,TANG ENDS	1	0,30 €
02-19	PC60-90B-010800	VENT SCREW	1	3,15 €



Drawn	C. J	Model	PC60	Drawing No.	PC60-02
Checked		Description	EXCITER HOUSING ASSY		
Approved		Date	2010.04.12		