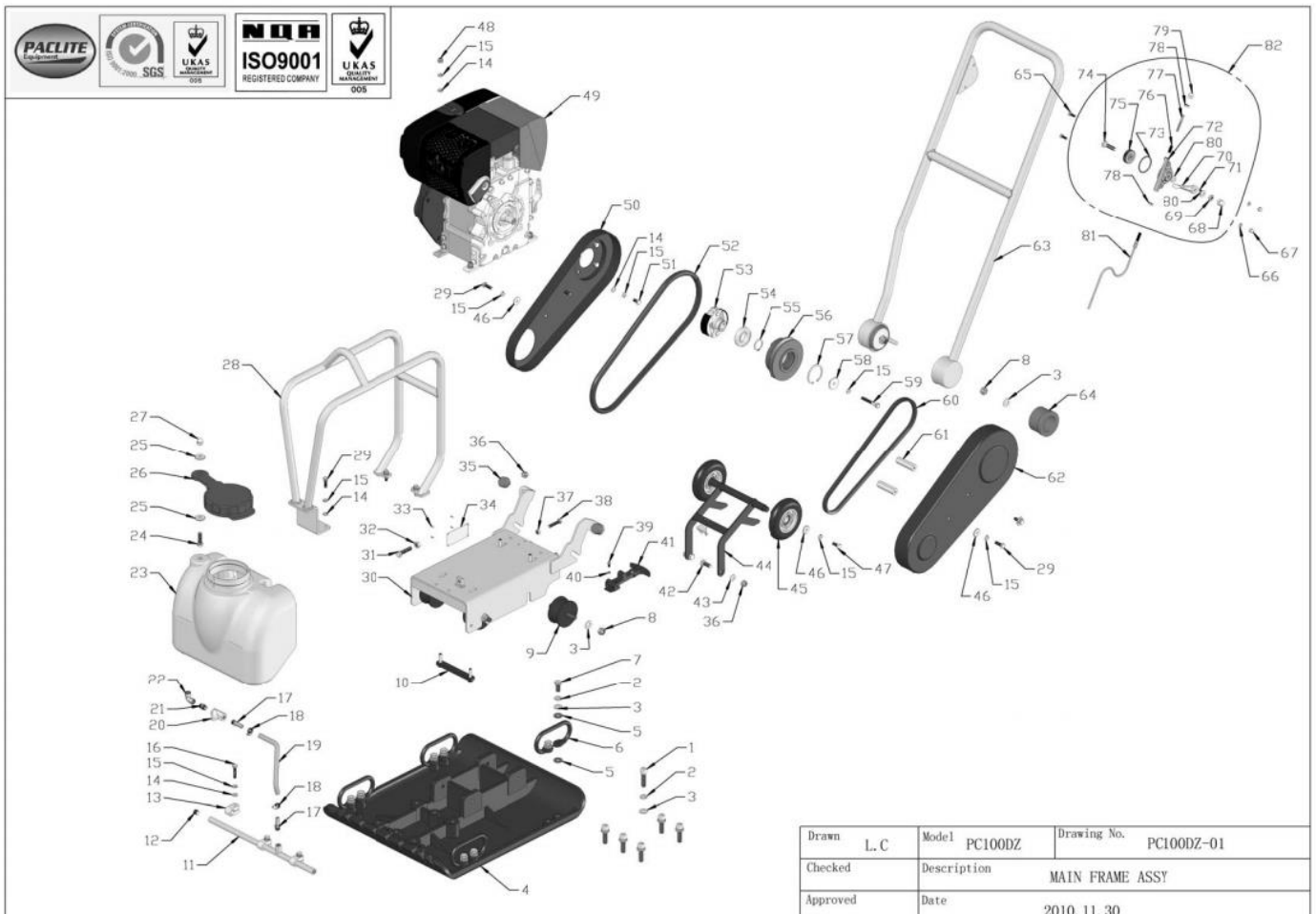


PC100 HATZ-01 MAIN FRAME ASSY

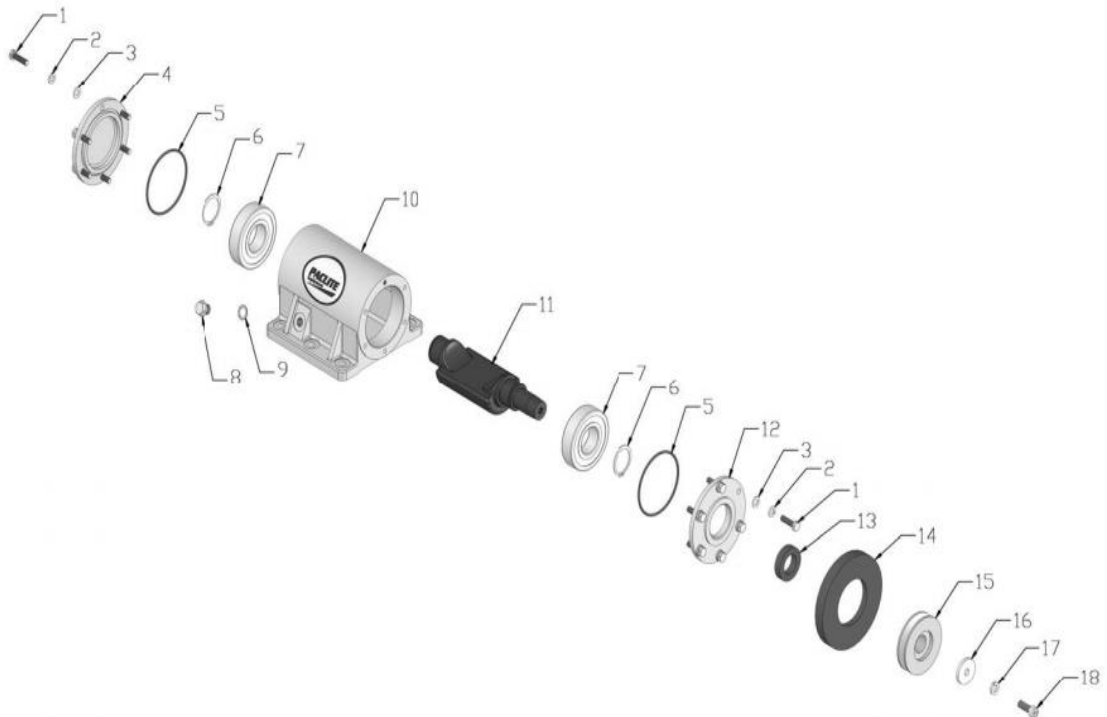
NO	PART NO	PART DESCRIPTION	QTY	UNIT PRICE (EUR) 2023
01-1	PC100DZ-HS.B-M12x45-12.9-GB-3	SCREW	6	1,65 €
01-2	PC100DZ-HSPG.W12-DIN-1	SPRING WASHER,TANG ENDS	14	0,35 €
01-3	PC100DZ-FN.W12-DIN-1	WASHER	20	1,35 €
01-4	PC100DZ-CPT90P-010500	BASE PLATE	1	367,92 €
01-5	PC100DZ-CPT90P-010600	RUBBER WASHER	16	4,75 €
01-6	PC100DZ-CPT90P-010100	HANDLE	4	45,50 €
01-7	PC100DZ-FN.B-M12x25-8.8-DIN-1	BOLT	8	0,50 €
01-8	PC100DZ-IN.N-M12-DIN-2	LOCK NUT	6	0,55 €
01-9	PC100DZ-CPT90P-030800	SHOCK ABSORBER	4	36,35 €
01-10	PC100DZ-CPT90P-032000Z	FIX ENGINE BOLT	2	12,05 €
01-11	PC100DZ-CPT90P-010800	SPRINKLING PIPE	1	29,10 €
01-12	PC100DZ-HSHOS.B-ZG1-4	HEXAGONAL SOCKET HEAD PLUG	2	2,00 €
01-13	PC100DZ-CPT90P-010901	HOOP	3	43,15 €
01-14	PC100DZ-FN.W8-DIN-1	WASHER	15	0,30 €
01-15	PC100DZ-HSPG.W8-DIN-1	SPRING WASHER,TANG ENDS	22	0,30 €
01-16	PC100DZ-FN.B-M8x35-8.8-DIN-1	BOLT	3	0,40 €
01-17	PC100DZ-BT-1/4-10	HOSE NIPPLE	2	12,00 €
01-18	PC100DZ-CPT90P-070006	HOSE CLAMP	2	2,40 €
01-19	PC100DZ-CPT60W-010700-1	WATER PIPE	1	6,25 €
01-20	PC100DZ-QF-1/4-NI	VALVE	1	26,70 €
01-21	PC100DZ-BT-1/4	JOINT	1	12,00 €
01-22	PC100DZ-JT-ZG1/4	90° ELBOW	1	11,75 €
01-23	PC100DZ-CPT90P-070000A	WATER TANK	1	130,56 €
01-24	PC100DZ-FN.B-M10x35-8.8-DIN-1	BOLT	1	0,40 €
01-25	PC100DZ-WOD.W10-GB-1	WASHER	2	0,40 €
01-26	PC100DZ-ROL650-070200	WATER TANK CAP	1	85,16 €
01-27	PC100DZ-HC.N-M10-DIN-1	CAP NUT	1	1,30 €
01-28	PC100DZ-CPT90P-100000Z	WATER TANK FRAME	1	106,96 €
01-29	PC100DZ-FN.B-M8x25-8.8-DIN-1	BOLT	8	0,35 €
01-30	PC100DZ-CPT90P-090000Z	ENGINE BASE	1	137,44 €
01-31	PC100DZ-FN.B-M10x45-8.8-DIN-1	BOLT	1	0,50 €
01-32	PC100DZ-FN.N-M10-DIN-1	NUT	1	0,40 €
01-33	PC100DZ-K.RVT-3.2x7.1	RIVET	4	0,50 €
01-34	PC100DZ-D4-MP-P	NAMEPLATE	1	1,40 €
01-35	PC100DZ-CPT80-0408	CUSHION	2	15,80 €
01-36	PC100DZ-IN.N-M10-DIN-1	LOCK NUT	4	0,40 €
01-37	PC100DZ-FN.N-M8-DIN-1	NUT	2	0,30 €
01-38	PC100DZ-FN.B-M8x40-8.8-DIN-1	BOLT	2	0,55 €
01-39	PC100DZ-FN.B-M5x10-8.8-DIN-1	BOLT	4	0,40 €
01-40	PC100DZ-SPG.W5-DIN-1	SPRING WASHER	4	0,30 €
01-41	PC100DZ-ROL500S-010505	BUCKLE	1	42,30 €
01-42	PC100DZ-FN.B-M10x25-8.8-DIN-1	BOLT	2	0,45 €
01-43	PC100DZ-FN.W10-DIN-1	WASHER	2	0,30 €
01-44	PC100DZ-CPT60W-040100	WHEEL FRAME	1	94,12 €
01-45	PC100DZ-CPT60W-040200	WHEEL	2	74,60 €
01-46	PC100DZ-WOD.W8-GB-1	WASHER	6	0,35 €
01-47	PC100DZ-FN.B-M8x20-8.8-DIN-1	BOLT	2	0,35 €
01-48	PC100DZ-IN.N-M8-DIN-1	LOCK NUT	4	0,45 €
01-49	PC100DZ-W05-1B20-6	ENGINE	1	
01-50	PC100DZ-CPT90P-040400Y	INNER BELT GUARD	1	80,80 €
01-51	PC100DZ-FN.B-M8x16-8.8-DIN-1	BOLT	4	0,40 €
01-52	PC100DZ-CPT90P-040600Y	SEAL	1	16,75 €
01-53	PC100DZ-CPT80-0500E	CENTRIFUGAL CLUTCH	1	101,96 €

01-54	PC100DZ-W01-6006ZZ-J	BEARING	1	18,10 €
01-55	PC100DZ-CS.RG30	EXTERNAL CIRCLIP	1	0,45 €
01-56	PC100DZ-CPT40-0318	CLUTCH PULLEY	1	118,60 €
01-57	PC100DZ-CH.RG55	INTERNAL CIRCLIP	1	3,45 €
01-58	PC100DZ-TOL606-070101	WASHER	1	2,60 €
01-59	PC100DZ-FN.B-M8x60-8.8HALF-DIN-1	BOLT	1	0,75 €
01-60	PC100DZ-W02-A37	V-BELT	1	16,80 €
01-61	PC100DZ-CPT90P-040300Y	CONNECTION POLE	2	15,05 €
01-62	PC100DZ-CPT90P-040500Y	OUTER BELT GUARD	1	80,80 €
01-63	PC100DZ-CPT90P-110000Y	HANDLE	1	88,00 €
01-64	PC100DZ-CPT40-060300	HANDLE ABSORBER	2	18,60 €
01-65	PC100DZ-FN.B-M6x20-8.8-DIN-2	BOLT	2	0,35 €
01-66	PC100DZ-HSPG.W6-DIN-2	SPRING WASHER,TANG ENDS	2	0,35 €
01-67	PC100DZ-HC.N-M6-DIN-2	CAP NUT	2	0,40 €
01-68	PC100DZ-HC.N-M10-DIN-2	CAP NUT	1	1,30 €
01-69	PC100DZ-FNL.N-M10-DIN-2	HEXAGON THIN NUT	1	0,40 €
01-70	PC100DZ-RAM70ND-060000	THROTTLE LEVER	1	29,05 €
01-71	PC100DZ-FHSS.S-M6x8-GB-3	SOCKET SCREW WITH FLAT HEAD	1	0,35 €
01-72	PC100DZ-RAM70ND-060001	THROTTLE BODY	1	38,95 €
01-73	PC100DZ-W04-45x3	O-RING	1	6,00 €
01-74	PC100DZ-RAM70ND-060003	BOLT	1	16,25 €
01-75	PC100DZ-RAM70ND-060002	THROTTLE GEAR	1	32,45 €
01-76	PC100DZ-FHSS.S-M8x20-GB-3	SOCKET SCREW WITH FLAT HEAD	1	3,30 €
01-77	PC100DZ-RAM70ND-060004	SLIDER	1	9,70 €
01-78	PC100DZ-FNL.N-M8-DIN-2	HEXAGON THIN NUT	2	0,30 €
01-79	PC100DZ-HC.N-M8-DIN-2	CAP NUT	1	0,45 €
01-80	PC100DZ-FN.W10-DIN-2	WASHER	2	0,30 €
01-81	PC100DZ-W06-S04-L1100x1300	THROTTLE CABLE	1	86,45 €
01-82	PC100DZ-RAM70ND-010018	THROTTLE LEVER ASSY	1	108,48 €
01-83	PC100DZ-60-010300.3	NYLON BUSH		17,35 €



PC100 HATZ-02 EXCITER HOUSING ASSY

NO	PART NO.	PART DESCRIPTION	QTY	UNIT PRICE (EUR) 2023
02-1	PC100DZ-FN.B-M8x30-8.8-DIN-1	BOLT	12	0,45 €
02-2	PC100DZ-HSPG.W8-DIN-1	SPRING WASHER,TANG ENDS	12	0,30 €
02-3	PC100DZ-FN.W8-DIN-2	WASHER	12	0,30 €
02-4	PC100DZ-CPT90P-020400	CLOSE COVER	1	30,10 €
02-5	PC100DZ-W04-90x3.5	O RING	2	6,35 €
02-6	PC100DZ-CS.RG40	EXTERNAL CIRCLIP	2	0,90 €
02-7	PC100DZ-W01-6308ZC3E-J	BEARING	2	51,35 €
02-8	PC100DZ-HHOS.B-M14x1.5	HEXAGON HEAD PLUG	1	2,00 €
02-9	PC100DZ-GB97.1-M14	CUPRUM WASHER	1	0,95 €
02-10	PC100DZ-CPT90P-020100P	EXCITER HOUSING	1	318,06 €
02-11	PC100DZ-CPT90P-020200A	EXCITER SHAFT	1	123,12 €
02-12	PC100DZ-CPT90P-020300	COVER	1	27,90 €
02-13	PC100DZ-W03-50x30x12	OIL SEAL	1	6,35 €
02-14	PC100DZ-CPT90P-020500	COVER GUARD	1	21,90 €
02-15	PC100DZ-CPT40-060200	EXCITER PULLEY	1	74,55 €
02-16	PC100DZ-CPT80-0303	PULLEY WASHER	1	3,20 €
02-17	PC100DZ-HSPG.W10-DIN-1	SPRING WASHER,TANG ENDS	1	0,30 €
02-18	PC100DZ-CPT90B-010800	VENT SCREW	1	3,15 €



Drawn	L. C	Model	PC100DZ	Drawing No.	PC100DZ-02
Checked		Description	EXCITING HOUSING ASSY		
Approved		Date	2010. 11. 30		