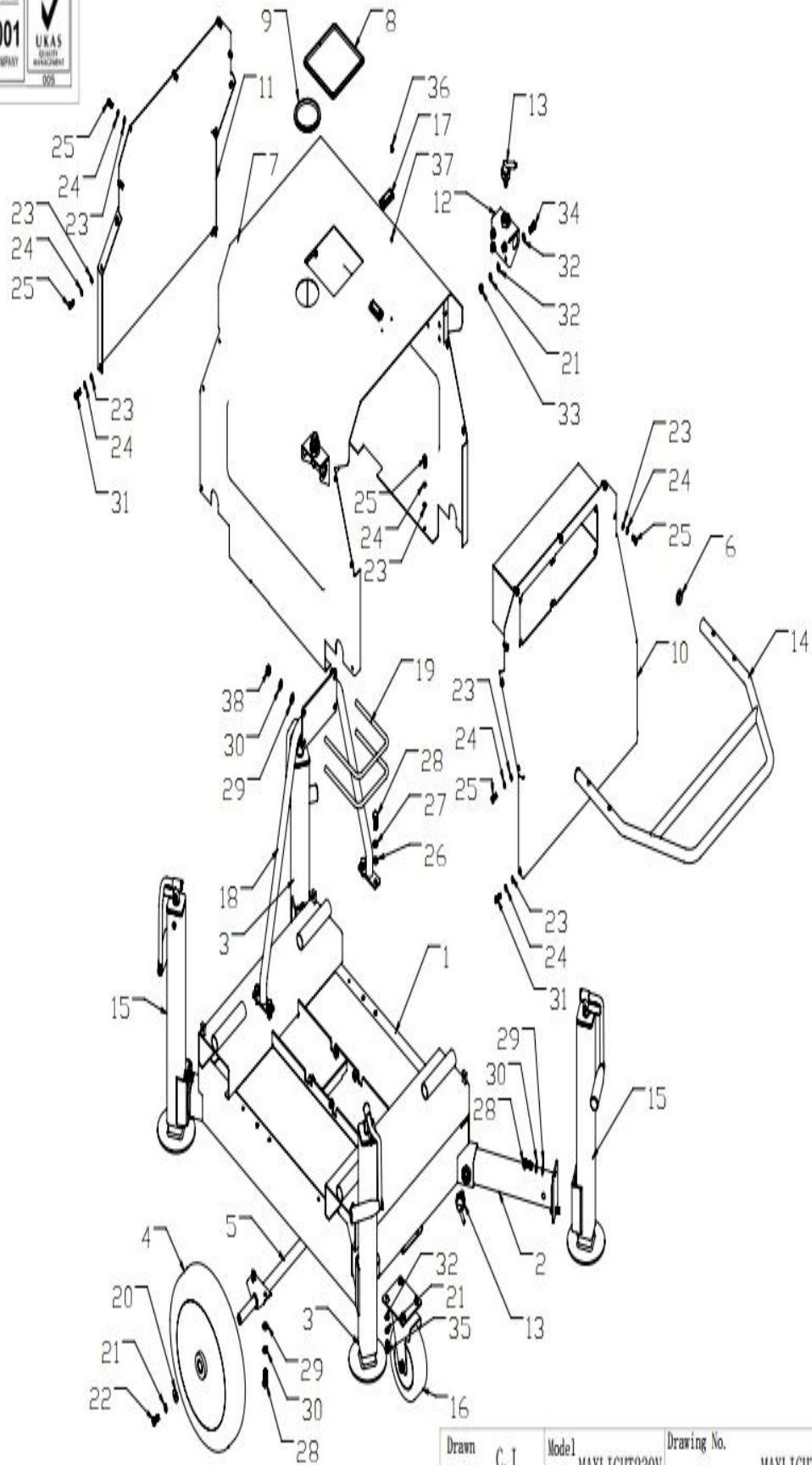


MAXLIGHT230V-01 MAIN FRAME ASSY

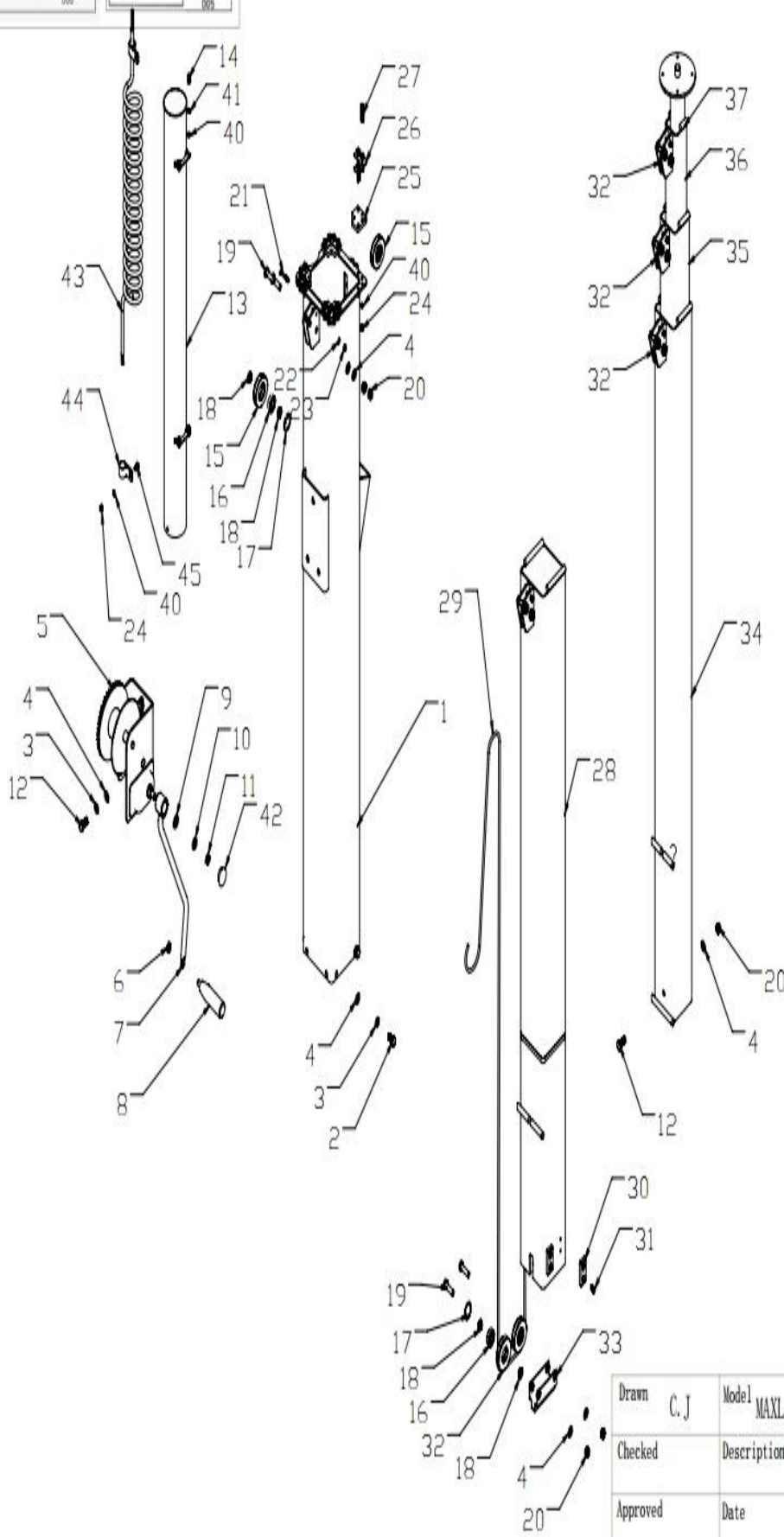
NO	PART NO	PART DESCRIPTION	QTY	UNIT PRICE (EUR) 2023
01-1	MAXLIGHT230V-7-640L-010100	FRAME	1	432,15 €
01-2	MAXLIGHT230V-7-640L-010700	TUBULAR FOR STABILIZER	4	128,96 €
01-3	MAXLIGHT230V-7-640L-010800B	STABILIZER	2	230,82 €
01-4	MAXLIGHT230V-7-640L-011200	FRONT WHEEL	2	146,16 €
01-5	MAXLIGHT230V-7-640L-011100	AXLE	1	30,65 €
01-6	MAXLIGHT230V-7-640L-011700	ROUND RIBBED INSERTS	2	4,05 €
01-7	MAXLIGHT230V-7-640L-010200	COVER	1	223,59 €
01-8	MAXLIGHT230V-7-640L-011500	EDGE PROTECTOR	1	36,90 €
01-9	MAXLIGHT230V-7-640L-011600	EDGE PROTECTOR	1	16,00 €
01-10	MAXLIGHT230V-7-640L-010300	REAR COVER	1	186,66 €
01-11	MAXLIGHT230V-7-640L-010500	FRONT COVER	1	193,77 €
01-12	MAXLIGHT230V-7-640L-010900	HANDLE BRACKET	2	118,68 €
01-13	MAXLIGHT230V-8-4K-011900	LOCKPIN	6	164,71 €
01-14	MAXLIGHT230V-7-640L-011000	HANDLE	1	126,16 €
01-15	MAXLIGHT230V-7-640L-010800A	STABILIZER	2	230,79 €
01-16	MAXLIGHT230V-7-640L-011300	REAR WHEEL	1	134,60 €
01-17	MAXLIGHT230V-8-4K-012200	SPIRIT LEVEL	2	18,30 €
01-18	MAXLIGHT230V-7-640L-010600	MAST SUPPORT	1	108,84 €
01-19	MAXLIGHT230V-7-640L-011400	"U"-BOLT	2	4,75 €
01-20	MAXLIGHT230V-WOD.W8-GB-2	WASHER	2	0,45 €
01-21	MAXLIGHT230V-HSPG.W8-DIN-2	SPRING WASHER,TANG ENDS	14	0,30 €
01-22	MAXLIGHT230V-FN.B-M8x20-8.8-DIN-1	BOLT	2	0,40 €
01-23	MAXLIGHT230V-FN.W6-DIN-2	WASHER	26	0,40 €
01-24	MAXLIGHT230V-HSPG.W6-DIN-2	SPRING WASHER,TANG ENDS	26	0,35 €
01-25	MAXLIGHT230V-FN.B-M6x16-8.8-DIN-2	BOLT	22	0,45 €
01-26	MAXLIGHT230V-FN.W10-DIN-1	WASHER	4	0,35 €
01-27	MAXLIGHT230V-HSPG.W10-DIN-1	SPRING WASHER,TANG ENDS	4	0,45 €
01-28	MAXLIGHT230V-FN.B-M10x25-8.8-DIN-2	BOLT	20	0,50 €
01-29	MAXLIGHT230V-FN.W10-DIN-2	WASHER	16	0,35 €
01-30	MAXLIGHT230V-HSPG.W10-DIN-2	SPRING WASHER,TANG ENDS	16	0,45 €
01-31	MAXLIGHT230V-FN.B-M6x20-8.8-DIN-2	BOLT	4	0,40 €
01-32	MAXLIGHT230V-FN.W8-DIN-2	WASHER	20	0,35 €
01-33	MAXLIGHT230VL-FN.N-M8-DIN-2	NUT	8	0,45 €
01-34	MAXLIGHT230V-FN.B-M8x20-8.8-DIN-2	BOLT	8	0,40 €
01-35	MAXLIGHT230V-FN.B-M8x16-8.8-DIN-2	BOLT	4	0,50 €
01-36	MAXLIGHT230V-PAN.S-M4x10-GB-2	PAN HEAD SCREW	4	0,40 €
01-37	MAXLIGHT230-FN.N-M4-DIN-2	NUT	4	0,50 €
01-38	MAXLIGHT230V-FN.N-M10-DIN-2	NUT	4	0,45 €



Drawn	C. J	Model	MAXLIGHT230V	Drawing No.	MAXLIGHT230V-01
Checked		Description	MAIN FRAME ASSY		
Approved		Date	2017.01.06		

MAXLIGHT230V-02 TELESCOPIC MAST ASSY

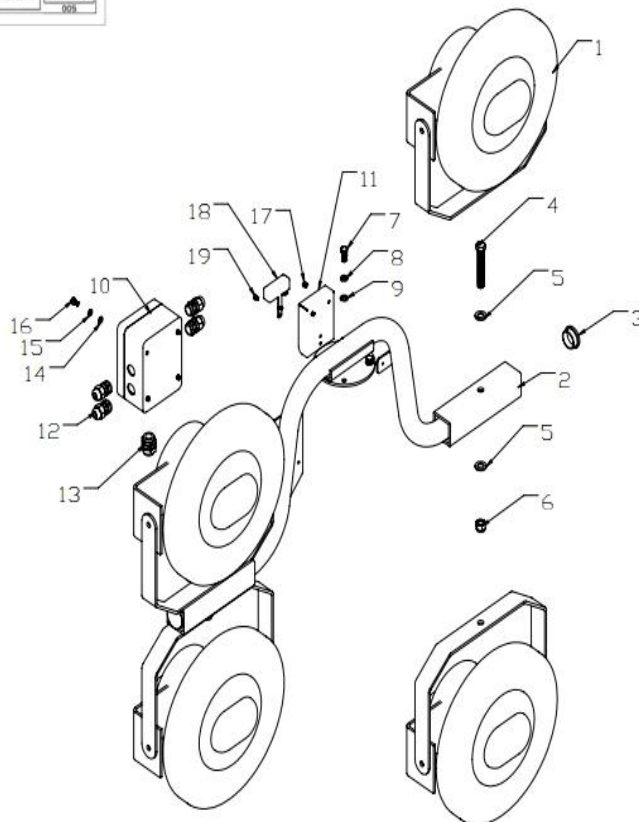
NO	PART NO	PART DESCRIPTION	QTY	UNIT PRICE (EUR) 2023
02-1	MAXLIGHT230V-7-640L-020100	FIRST MAST	1	462,18 €
02-2	MAXLIGHT230V-FN.B-M10x20-8.8-DIN-2	BOLT	4	0,45 €
02-3	MAXLIGHT230V-HSPG.W10-DIN-2	SPRING WASHER,TANG ENDS	7	0,45 €
02-4	MAXLIGHT230V-FN.W10-DIN-2	WASHER	25	0,35 €
02-5	MAXLIGHT230V-8-4K-021900	WINCH	1	292,98 €
02-6	MAXLIGHT230V-FNL.N-M10-DIN-2	HEXAGON THIN NUT	1	0,45 €
02-7	MAXLIGHT230V-7-640L-020800	HANDLE ROD	1	98,32 €
02-8	MAXLIGHT230V-16-000009	HANDLE	1	22,55 €
02-9	MAXLIGHT230V-FN.W12-DIN-2	WASHER	1	1,75 €
02-10	MAXLIGHT230V-HSPG.W12-DIN-2	SPRING WASHER,TANG ENDS	1	0,35 €
02-11	MAXLIGHT230V-FNL.N-M12-DIN-1	THIN NUT	1	0,45 €
02-12	MAXLIGHT230V-FN.B-M10x25-8.8-DIN-2	BOLT	7	0,50 €
02-13	MAXLIGHT230V-7-640L-020700	CONDUIT	1	98,32 €
02-14	MAXLIGHT230V-FN.B-M6x10-8.8-DIN-2	BOLT	4	0,50 €
02-15	MAXLIGHT230V-8-4K-021100	PULLEY A	2	69,45 €
02-16	MAXLIGHT230V-W01-6002LLU-J	BEARING	8	44,04 €
02-17	MAXLIGHT230V-CH.RG32	INTERNAL CIRCLIP	8	2,15 €
02-18	MAXLIGHT230V-8-4K-021300	BUSH	16	15,48 €
02-19	MAXLIGHT230V-FN.B-M10x40-8.8HALF-DIN-2	BOLT	12	0,70 €
02-20	MAXLIGHT230V-IN.N-M10-DIN-2	LOCK NUT	18	0,40 €
02-21	MAXLIGHT230V-FN.B-M5x35-8.8HALF-DIN-2	BOLT	6	1,65 €
02-22	MAXLIGHT230V-FN.W5-DIN-2	WASHER	6	0,45 €
02-23	MAXLIGHT230V-IN.N-M5-DIN-2	LOCK NUT	6	0,40 €
02-24	MAXLIGHT230V-IN.N-M6-DIN-2	LOCK NUT	17	0,40 €
02-25	MAXLIGHT230V-8-4K-021400	UPPER ANGULAR FOR MAST	4	54,80 €
02-26	MAXLIGHT230V-8-4K-021500	BLOCKING PLATE	4	62,05 €
02-27	MAXLIGHT230V-FN.B-M6x30-8.8-DIN-2	BOLT	16	0,50 €
02-28	MAXLIGHT230V-8-4K-020200	2nd MAST	1	365,10 €
02-29	MAXLIGHT230V-8-4K-022300	STEEL CABLE	1	98,55 €
02-30	MAXLIGHT230V-FN.B-M10x55-8.8HALF-DIN-2	BOLT	2	1,80 €
02-31	MAXLIGHT230V-8-4K-021600	NYLON DOWEL	4	39,40 €
02-32	MAXLIGHT230V-HSF.S-M6x16-8.8-DIN-2	SOCKET COUNTERSUNK HEAD SCREW	8	0,70 €
02-33	MAXLIGHT230V-8-4K-021200	PULLEY B	6	65,75 €
02-34	MAXLIGHT230V-8-4K-021700	LIMIT PLATE FOR STEEL CABLE	1	107,04 €
02-35	MAXLIGHT230V-8-4K-020300	3rd MAST	1	290,31 €
02-36	MAXLIGHT230V-8-4K-020400	4th MAST	1	233,43 €
02-37	MAXLIGHT230V-8-4K-020500	5th MAST	1	196,59 €
02-38	MAXLIGHT230V-7-640L-020600	6th MAST	1	98,32 €
02-39	MAXLIGHT230V-8-4K-022100	STEEL CABLE	1	63,30 €
02-40	MAXLIGHT230V-8-4K-022200	STEEL CABLE	3	63,30 €
02-41	MAXLIGHT230V-FN.W6-DIN-2	WASHER	21	0,40 €
02-42	MAXLIGHT230V-HSPG.W6-DIN-2	SPRING WASHER,TANG ENDS	4	0,35 €
02-43	MAXLIGHT230V-8-4K-023000	PLASTIC CAP	1	3,82 €
02-44	MAXLIGHT230V-8-4K-051700	SPRING CABLE	1	476,40 €
02-45	MAXLIGHT230V-8-4K-051800	R-CLAMP	2	9,90 €
02-46	MAXLIGHT230V-FN.B-M6x12-8.8-DIN-2	BOLT	1	0,50 €



Drawn	C. J	Model	MAXLIGHT230V	Drawing No.	MAXLIGHT230V-02
Checked		Description	TELESCOPIC MAST ASSY		
Approved		Date	2017. 01. 06		

MAXLIGHT230V-03 FLOODLIGHT GROUP ASSY

NO	PART NO	PART DESCRIPTION	QTY	UNIT PRICE (EUR) 2023
03-1	MAXLIGHT230V-7-640L-030300	LED LAMP	4	0,50 €
03-2	MAXLIGHT230V-7-640L-030100	FLOODLIGHT FRAME	1	231,36 €
03-3	MAXLIGHT230V-7-640L-030200	COVER	2	5,45 €
03-4	MAXLIGHT230V--FN.B-M12x80-8.8HALF-DIN-2	BOLT	2	1,45 €
03-5	MAXLIGHT230V-FN.W12-DIN-2	WASHER	4	1,75 €
03-6	MAXLIGHT230V-IN.N-M12-DIN-2	LOCK NUT	2	0,60 €
03-7	MAXLIGHT230V-FN.B-M8x20-8.8-DIN-2	BOLT	4	0,40 €
03-8	MAXLIGHT230V-HSPG.W8-DIN-2	SPRING WASHER,TANG ENDS	4	0,30 €
03-9	MAXLIGHT230V-FN.W8-DIN-2	WASHER	8	0,35 €
03-10	MAXLIGHT230V-7-640L-030400	ELECTRIC BOX	1	58,20 €
03-11	MAXLIGHT230V-7-640L-030500	LIGHT SENSOR BOX	1	21,90 €
03-12	MAXLIGHT230V-8-4K-031100	CABLE GLAND	4	9,65 €
03-13	MAXLIGHT230V-8-4K-052200	CABLE GLAND	1	48,90 €
03-14	MAXLIGHT230V-FN.W6-DIN-2	WASHER	4	0,40 €
03-15	MAXLIGHT230V-HSPG.W6-DIN-2	SPRING WASHER,TANG ENDS	4	0,35 €
03-16	MAXLIGHT230V-FN.B-M6x12-8.8-DIN-2	BOLT	4	0,50 €
03-17	MAXLIGHT230V-PAN.S-M5x6-GB-2	PAN HEAD SCREW	2	0,45 €
03-18	MAXLIGHT230V-7-640L-030600	LIGHT SENSOR	1	349,08 €
03-19	MAXLIGHT230V-PAN.S-M4x6	PAN HEAD SCREW	2	0,45 €



Drawn	C. J	Model	MAXLIGHT230V	Drawing No.	MAXLIGHT230V-03
Checked		Description	FLOODLIGHT GROUP ASSY		

MAXLIGHT230V-04-A COMMAND PANEL ASSY

NO	PART NO	PART DESCRIPTION	QTY	UNIT PRICE (EUR) 2023
04-1	MAXLIGHT230V-7-640L-040100	CONTROL PANEL A	1	104,88 €
04-2	MAXLIGHT230V-7-640L-040900	SINGGLE PHASE SOCKET	1	114,52 €
04-3	MAXLIGHT230V-8-4K-051200	EARTH CLAMP CONNECTION	1	33,40 €
04-4	MAXLIGHT230V-7-640L-040200	CIRCUIT BREAKER PROTECTION	1	133,04 €
04-5	MAXLIGHT230V-7-640L-041000	EARTH LEAKAGE RELAY	1	200,43 €
04-6	MAXLIGHT230V-7-640L-041100	CIRCUIT BREAKER	4	106,16 €
04-7	MAXLIGHT230V-PAN.S-M5x20-GB-2	PAN HEAD SCREW	4	0,45 €
04-8	MAXLIGHT230V-FN.W5-DIN-2	WASHER	6	0,45 €
04-9	MAXLIGHT230V-SPG.W5-DIN-2	SPRING WASHER	4	0,50 €
04-10	MAXLIGHT230V-FN.N-M5-DIN-2	NUT	4	0,45 €
04-11	MAXLIGHT230V-FN.W6-DIN-2	WASHER	6	0,40 €
04-12	MAXLIGHT230V-HSPG.W6-DIN-2	SPRING WASHER,TANG ENDS	6	0,35 €
04-13	MAXLIGHT230V-FN.B-M6x16-8.8-DIN-2	BOLT	6	0,45 €
04-14	MAXLIGHT230V-ST3X13	SCREW	8	9,05 €
04-15	MAXLIGHT230V-7-640L-040300	CIRCUIT BREAKER BRACKET	1	11,35 €
04-16	MAXLIGHT230V-PAN.S-M4x90-GB-2	PAN HEAD SCREW	2	0,75 €
04-17	MAXLIGHT230V-FN.W4-DIN-2	WASHER	6	0,45 €
04-18	MAXLIGHT230V-FN.N-M4-DIN-2	NUT	4	0,50 €
04-19	MAXLIGHT230V-SPG.W4-DIN-2	SPRING WASHER	8	0,45 €
04-20	MAXLIGHT230V-7-640L-040400	TERMINAL BLOCK	1	16,45 €
04-21	MAXLIGHT230V-7-640L-040500	TIMING DEVICE	1	
04-22	MAXLIGHT230V-7-640L-040600	LIGHT ACTIVATED SWITCH	1	156,03 €
04-23	MAXLIGHT230V-7-640L-040700	PLUG-IN RELAYS	1	172,90 €
04-24	MAXLIGHT230V-7-640L-040800	SWITCH	1	94,68 €
04-25	MAXLIGHT230V-PAN.S-M4x16-GB-2	PAN HEAD SCREW	2	1,40 €
04-26	MAXLIGHT230V-8-4K-052200	CABLE GLAND	1	46,80 €

