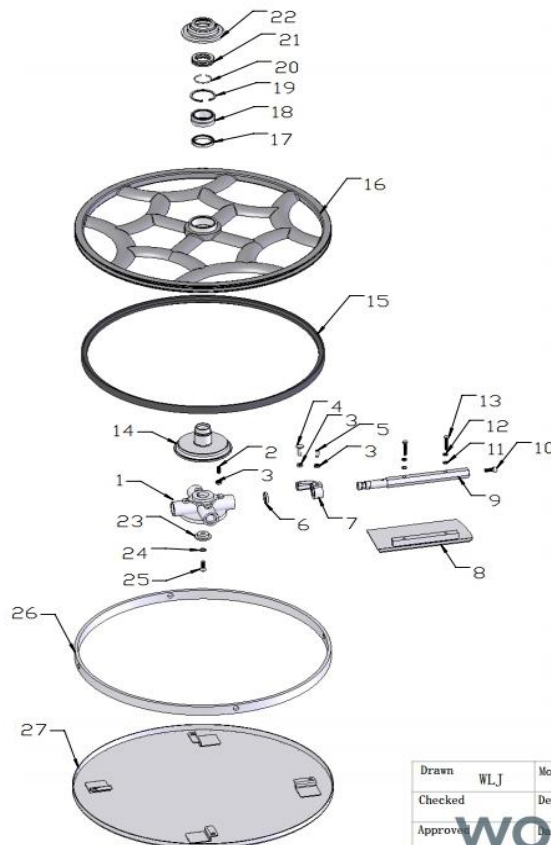


M600NH-01 SPIDER ASSY

NO	PART NO	PART DESCRIPTION	QTY	UNIT PRICE (EUR) 2023
01-1	TOL606-050301	SPIDER	1	150,56 €
01-2	ConeHSS.S-M8x20	GRUB SCREW	4	0,65 €
01-3	FNL.N-M8-DIN-1	HEXAGON THIN NUT	12	0,30 €
01-4	CHSN.B-M8x25-GB-1	BOLT	4	1,45 €
01-5	GB79-85-M8x20	SOCKET SCREW WITH CYLINDRICAL POINT	4	1,95 €
01-6	W03-DH-20	OIL SEAL	4	25,05 €
01-7	TOL606-050401	TILT ARM	4	24,30 €
01-8	TOL606-050100	BLADE	4	
01-9	TOL606-050501	SPIDER ARM	4	98,80 €
01-10	HS.B-M8x20-8.8-GB-1	SCREW	4	0,50 €
01-11	FN.W6-DIN-1	WASHER	8	0,40 €
01-12	HSPG.W6-DIN-1	SPRING WASHER	8	0,40 €
01-13	FN.B-M6x35-8.8-DIN-1	BOLT	8	0,50 €
01-14	TOL606-040303	TILT PLATE	1	54,05 €
01-15	TOL606-040802	RUBBER RING	1	55,70 €
01-16	TOL606-040801	GUARD PLATE	1	202,02 €
01-17	W01-6808RS-J	BEARING	1	56,45 €
01-18	W01-NKI 40/20-J	BEARING	1	82,35 €
01-19	CH.RG55	INTERNAL CIRCLIP	1	0,85 €
01-20	SS.RG40	EXTERNAL CIRCLIP	1	6,25 €
01-21	W01-51107-J	BEARING	1	42,40 €
01-22	TOL606-040302	BEARING COVER	1	90,30 €
01-23	TOL606-050701	END CAP	1	6,25 €
01-24	CETL.W8	COUNTERSUNK EXTERNAL TOOTHED LOCK WASHER	1	6,25 €
01-25	HSF.S-M8x25-8.8-DIN-1	SOCKET COUNTERSUNK HEAD SCREW	1	0,65 €
01-26	TOL606-050601	GUARD RING	1	315,96 €
01-27	TOL606-040803	ROUND PAN	1	148,04 €

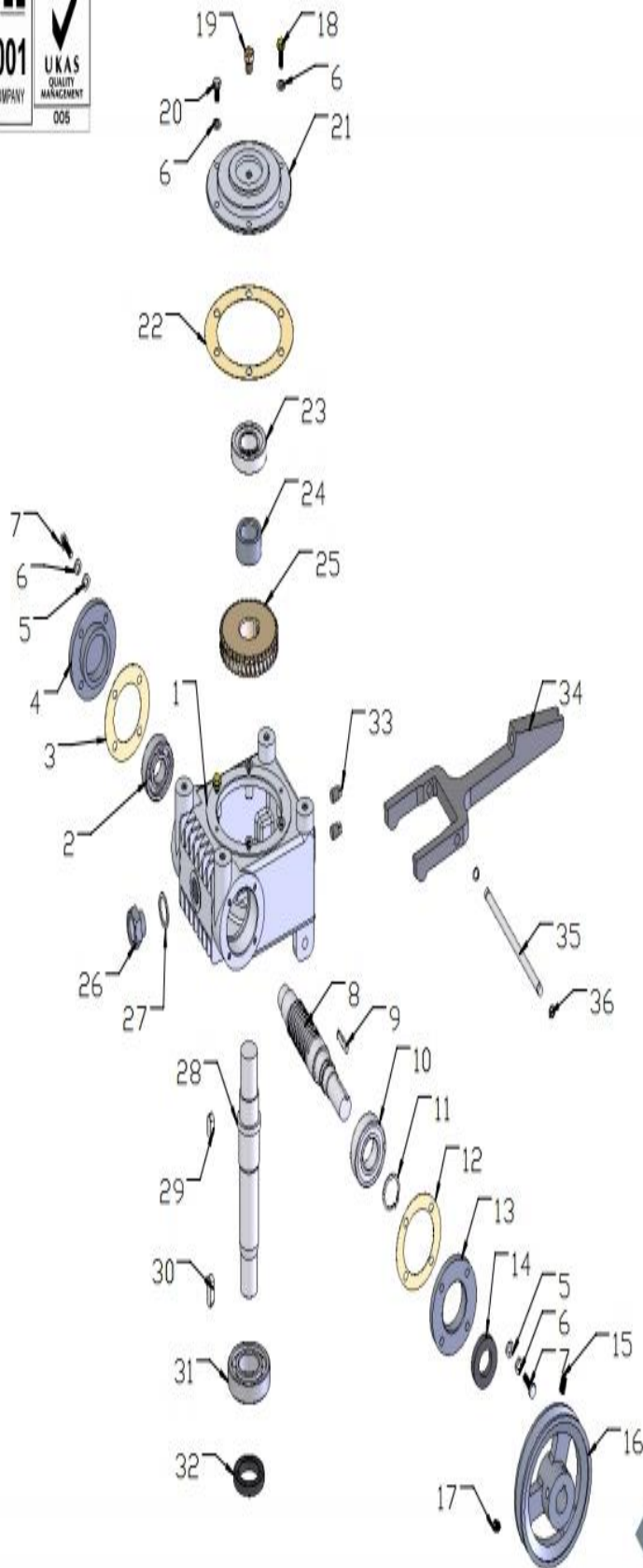


Drawn	WLJ	Model	M600NH	Drawing No.	M600NH-01
Checked		Description	SPIDER ASSY		
Approved		Date	2022-11-16		

wondershare

M600NH-02 GEARBOX ASSY

NO	PART NO.	PART DESCRIPTION	QTY	UNIT PRICE (EUR) 2023
02-1	TOL606-040101A	WORM GEAR BOX	1	357,06 €
02-2	W01-6204-J	BEARING	1	14,95 €
02-3	TOL606-040106	SEAL, CLOSE COVER	1	6,35 €
02-4	TOL606-040103	CLOSE COVER	1	33,75 €
02-5	FN.W6-DIN-1	WASHER	8	0,40 €
02-6	HSPG.W6-DIN-1	SPRING WASHER,TANG ENDS	14	139,46 €
02-7	FN.B-M6x20-8.8-DIN-1	BOLT	8	0,35 €
02-8	TOL606-040203	WORM	1	307,26 €
02-9	Key.A-5x5x28	KEY	1	6,25 €
02-10	W01-6205Z-J	BEARING	1	14,95 €
02-11	CS.RG25	EXTERNAL CIRCLIP	1	0,50 €
02-12	TOL606-040107	SEAL,SIDE COVER	1	6,35 €
02-13	TOL606-040104	SIDE COVER	1	33,70 €
02-14	W03-40x22x7	OIL SEAL	1	6,35 €
02-15	FHSS.S-M8x12-GB-3	GRUB SCREW	1	0,95 €
02-16	TOL70G-040314	PULLEY	1	106,04 €
02-17	ConeHSS.S-M8x12	SOCKET HEAD SCREW	1	0,75 €
02-18	FN.B-M6x16-8.8-DIN-1	BOLT	5	0,60 €
02-19	TOL606-040108	VENT SCREW	1	5,50 €
02-20	FN.B-M6x12-8.8-DIN-1	BOLT	1	3,40 €
02-21	TOL606-040102A	TOP COVER	1	
02-22	TOL606-040105	SEAL, TOP COVER	1	15,75 €
02-23	W01-30205-J	BEARING	1	28,70 €
02-24	TOL606-040204	BUSH	1	14,85 €
02-25	TOL100G-040201	WORM GEAR	1	259,74 €
02-26	TOL100GB-041000	OIL GAUGE	1	32,95 €
02-27	ZH-D-M20	WASHER	1	0,60 €
02-28	TOL606-040202	WORM GEAR SHAFT	1	127,36 €
02-29	Key.A-8x7x18	KEY	1	6,25 €
02-30	Key.A-8x7x25	KEY	1	6,25 €
02-31	W01-6206Z-J	BEARING	1	20,45 €
02-32	W03-45x30x8	OIL SEAL	1	6,35 €
02-33	TOL100GB-040111	STOPPER	2	3,15 €
02-34	TOL606-040304	TILT YOKE	1	37,70 €
02-35	TOL606-040301	PIN	1	8,65 €
02-36	CS.RG8	EXTERNAL CIRCLIP	2	1,40 €

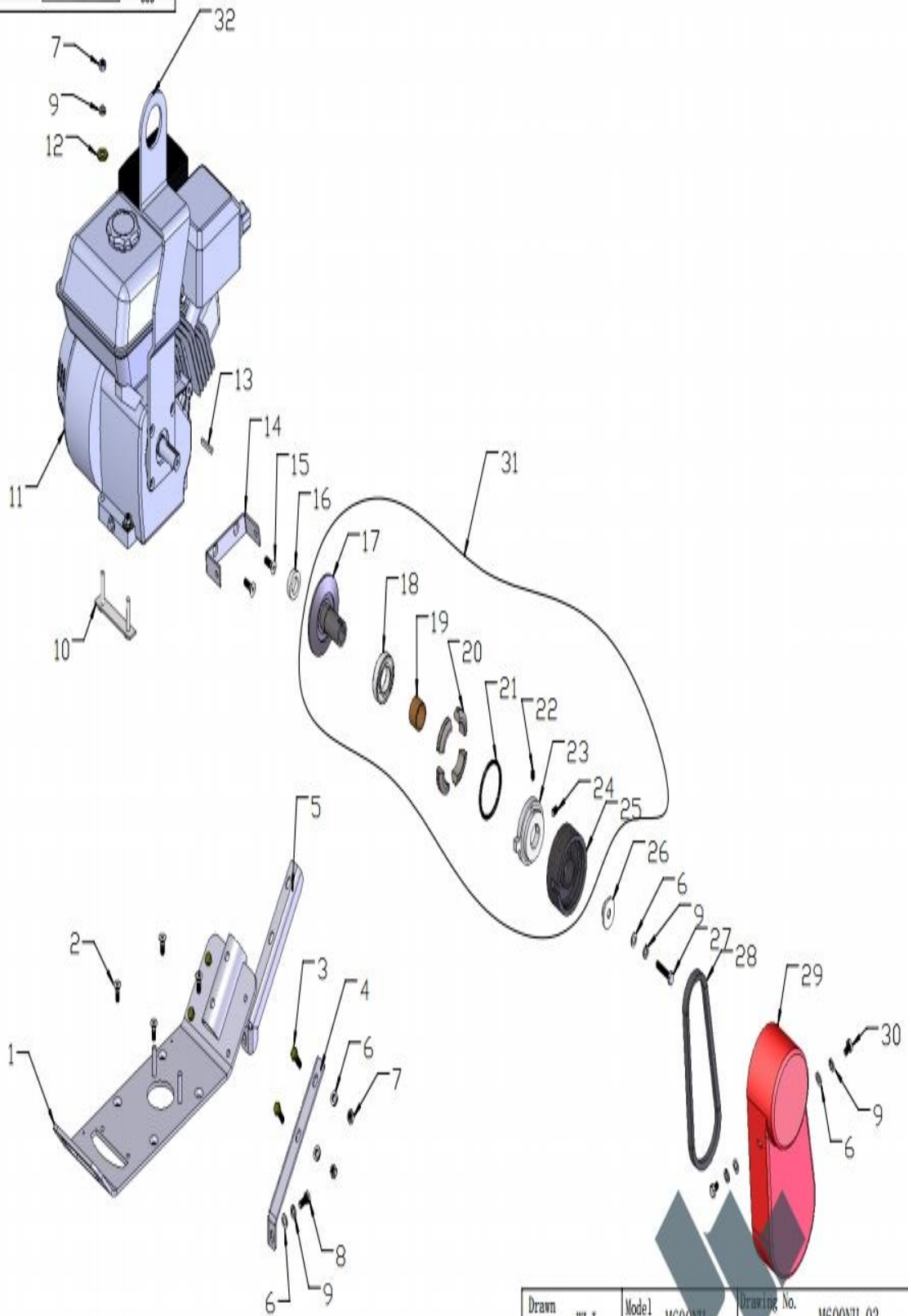


Drawn	WLJ	Model	M600NH	Drawing No.	M600NH-02
Checked		Description	GEARBOX ASSY		
Approved		Date	2022-4-6		

wondershare

M600NH-03 ENGINE BASE AND CLUTCH ASSY

NO	PART NO.	PART DESCRIPTION	QTY	UNIT PRICE (EUR) 2023
03-1	TOL750-010000	ENGINE BASE	1	251,07 €
03-2	HSF.S-M8x20-8.8-DIN-1	SOCKET COUNTERSUNK HEAD SCREW	4	0,60 €
03-3	FN.B-M8x25-8.8-DIN-1	BOLT	4	0,40 €
03-4	TOL750-010002R	BRACKET RIGHT	1	22,80 €
03-5	TOL750-010002L	BRACKET LEFT	1	25,95 €
03-6	FN.W8-DIN-1	WASHER	9	0,30 €
03-7	FN.N-M8-DIN-1	NUT	8	0,30 €
03-8	FN.B-M8x20-8.8-DIN-1	BOLT	2	0,35 €
03-9	HSPG.W8-DIN-1	SPRING WASHER	13	0,40 €
03-10	TOL100G-030400	BOLT	1	9,45 €
03-11	W05-GX160H1-SX	ENGINE	1	
03-12	WOD.W8-GB-1	WASHER	4	0,35 €
03-13	Key.B-5x5x32	KEY	1	9,40 €
03-14	TOL606-040702	BRACKET	1	13,30 €
03-15	HSF.S-M8x25-8.8-DIN-1	SOCKET COUNTERSUNK HEAD SCREW	4	0,65 €
03-16	CPT80-0317A	WASHER	1	7,90 €
03-17	TOL100G-070100	SHAFT	1	60,40 €
03-18	W01-6006ZZ-G	BEARING	1	22,65 €
03-19	TOL100G-070500	BUSH	1	26,75 €
03-20	TOL100G-070400	CLUTCH BLOCK	4	5,55 €
03-21	TOL100G-070109	SPRING	1	2,70 €
03-22	ConeHSS.S-M8x12-GB-3	SOCKET HEAD SCREW	1	0,75 €
03-23	TOL100G-070300	CLUTCH PLATE	1	33,75 €
03-24	FHSS.S-M8x12-GB-3	GRUB SCREW	1	0,95 €
03-25	TOL100G-070200	CLUTCH DRUM	1	67,50 €
03-26	TOL100GB-070108	WASHER	1	9,45 €
03-27	FN.B-M8x40-8.8-DIN-1	BOLT	1	0,45 €
03-28	W02-A23.5	V BELT	1	27,50 €
03-29	TOL606-040701	BELT COVER	1	99,12 €
03-30	FN.B-M8x10-8.8-DIN-1	BOLT	2	0,40 €
03-31	TOL100G-070000A	CLUTCH ASSY	1set	166,36 €
03-32	TOL750-038000	LIFTING HOOK	1	95,36 €



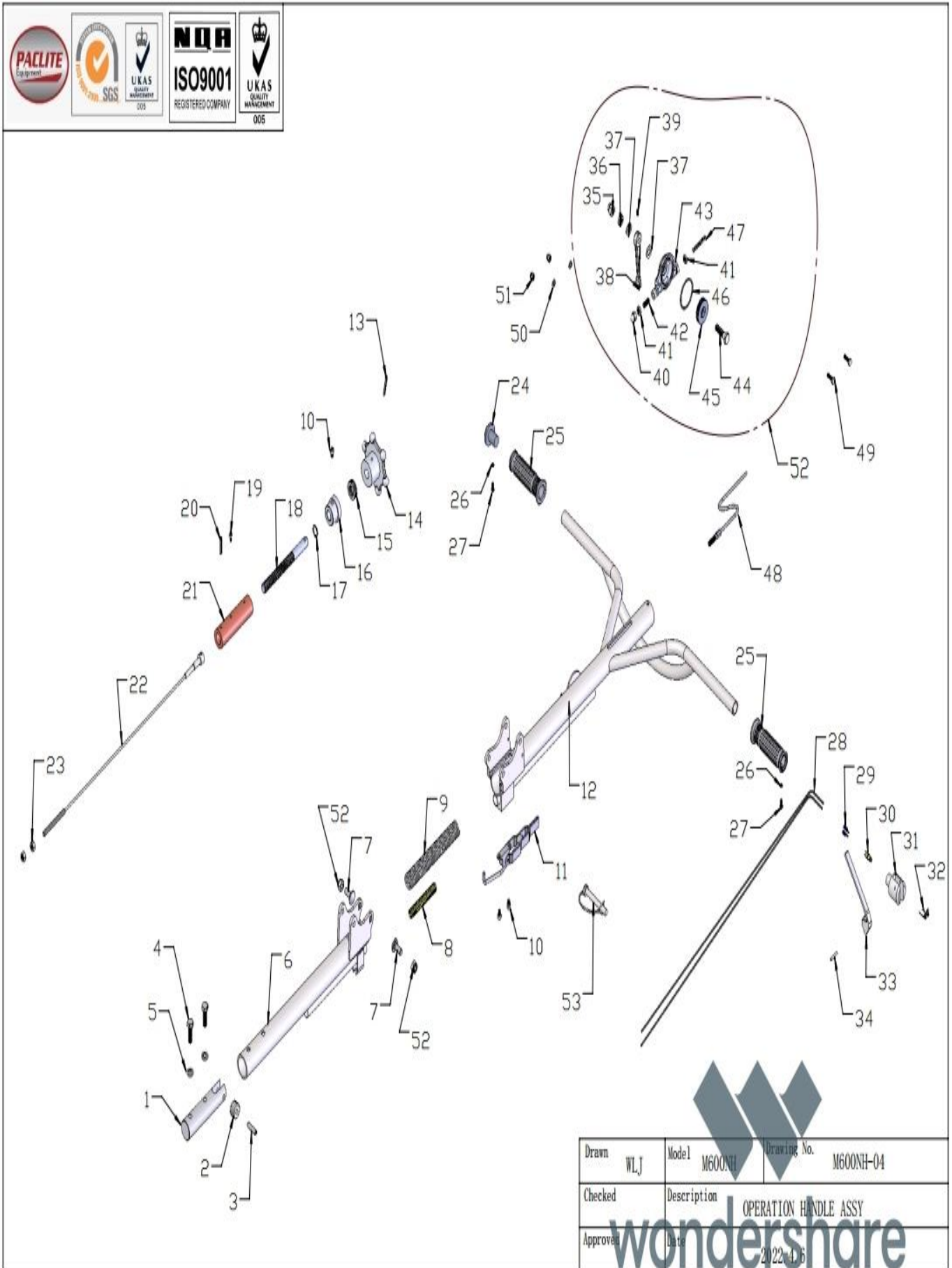
Drawn	WLJ	Model	M600NH	Drawing No.	M600NH-03
Checked		Description	ENGINE BASE & CLUTCH ASSY		
Approved		Date	2022-4-6		

wondershare

M600NH-04 OPERATION HANDLE ASSY

NO	PART NO.	PART DESCRIPTION	QTY	UNIT PRICE (EUR) 2023
04-1	TOL100G-010005	WHEEL BLOCK	1	21,20 €
04-2	TOL100G-010004	WHEEL	1	17,30 €
04-3	SC.PIN-8x32	PIN-SPRING	1	0,60 €
04-4	FN.B-M10x30-8.8-DIN-1	BOLT	2	0,55 €
04-5	HSPG.W10-DIN-1	SPRING WASHER	2	0,30 €
04-6	TOL750-020100	HANDLE BOTTOM	1	150,85 €
04-7	CHSN.B-M10x25-GB-2	SQUARE NECKBOLT	2	6,45 €
04-8	TOL750-028000	SPRING	1	5,10 €
04-9	TOL606-000006	SPRING	1	13,30 €
04-10	HS.B-M6x8-8.8-DIN-1	SCREW	3	0,40 €
04-11	TOL750-020400	CLAMP	1	65,05 €
04-12	TOL750-020200	UPPER HANDLE	1	222,15 €
04-13	SC.PIN-5x40	PIN-SPRING	1	0,55 €
04-14	TOL100G-010008P	PITCH CONTROL KNOB	1	77,65 €
04-15	W01-51103-G	BEARING	1	18,20 €
04-16	TOL100G-010006	BEARING COVER	1	11,00 €
04-17	CS.RG16	EXTERNAL CIRCLIP	1	0,40 €
04-18	TOL100G-010003	ADJUSTING SCREW	1	26,15 €
04-19	HS.B-M5x8-GB-3	SCREW	1	0,35 €
04-20	SC.PIN-5x30	PIN-SPRING	1	0,50 €
04-21	TOL100G-010002	SLIDE BUSH	1	82,84 €
04-22	TOL750-000011	DEPTH CONTROLCABLE ASSY	1	42,20 €
04-23	FN.N-M8-DIN-1	NUT	2	0,30 €
04-24	TOL606-030701	LID	1	70,60 €
04-25	TOL606-030801	HANDLE COVER	2	9,40 €
04-26	SPG.W5-DIN-2	SPRING WASHER	2	0,60 €
04-27	PAN.S-M5x12-DIN-2	PAN HEAD SCREW	2	2,80 €
04-28	TOL606-000009	WIRE	1	12,95 €
04-29	TOL606-000008	WIRE TERMINAL	2	1,55 €
04-30	TOL606-000007	SWITCH	1	4,15 €
04-31	TOL606-030901	SWITCH LID	1	78,20 €
04-32	TOL606-031101	SPRING	1	1,05 €
04-33	TOL606-031001	SWITCH HANDLE	1	36,85 €
04-34	ST.PIN-4x26	PIN-DOWEL	1	0,65 €
04-35	HC.N-M10-DIN-2	CAP NUT	3	0,65 €
04-36	FNL.N-M10-DIN-2	THIN NUT	1	0,40 €
04-37	FN.W10-DIN-2	WASHER	2	0,40 €
04-38	RAM70ND-060000	THROTTLE LEVER	1	29,05 €
04-39	FHSS.S-M6x8	SOCKET SCREW WITH FLAT HEAD	1	0,35 €
04-40	HC.N-M8-DIN-2	CAP NUT	1	0,45 €
04-41	FNL.N-M8-DIN-2	THIN NUT	2	0,30 €
04-42	FHSS.S-M8x20	SOCKET SCREW WITH FLAT HEAD	1	3,30 €
04-43	RAM70ND-060001	THROTTLE BODY	1	38,95 €
04-44	RAM70ND-060003	BOLT	1	16,25 €
04-45	RAM70ND-060002	THROTTLE GEAR	1	32,45 €
04-46	W04-45x3	O-RING	1	6,00 €
04-47	RAM70ND-060004	SLIDER	1	9,70 €
04-48	W06-S04-L1100x1300	THROTTLE CABLE	1	86,45 €
04-49	FN.B-M6x20-8.8-DIN-2	BOLT	2	0,40 €

04-50	HSPG.W6-DIN-2	SPRING WASHER	2	0,40 €
04-51	IN.N-M10-DIN-2	LOCK NUT	2	0,45 €
04-52	RAM70ND-010018	THROTTLE CABLE ASSY	1SET	108,48 €
04-53	TOL750-040100	"D" LOCK PIN	1	28,00 €



Drawn	WLJ	Model	M600NH	Drawing No.	M600NH-04
Checked		Description	OPERATION HANDLE ASSY		
Approved		Date	2022-11-6		