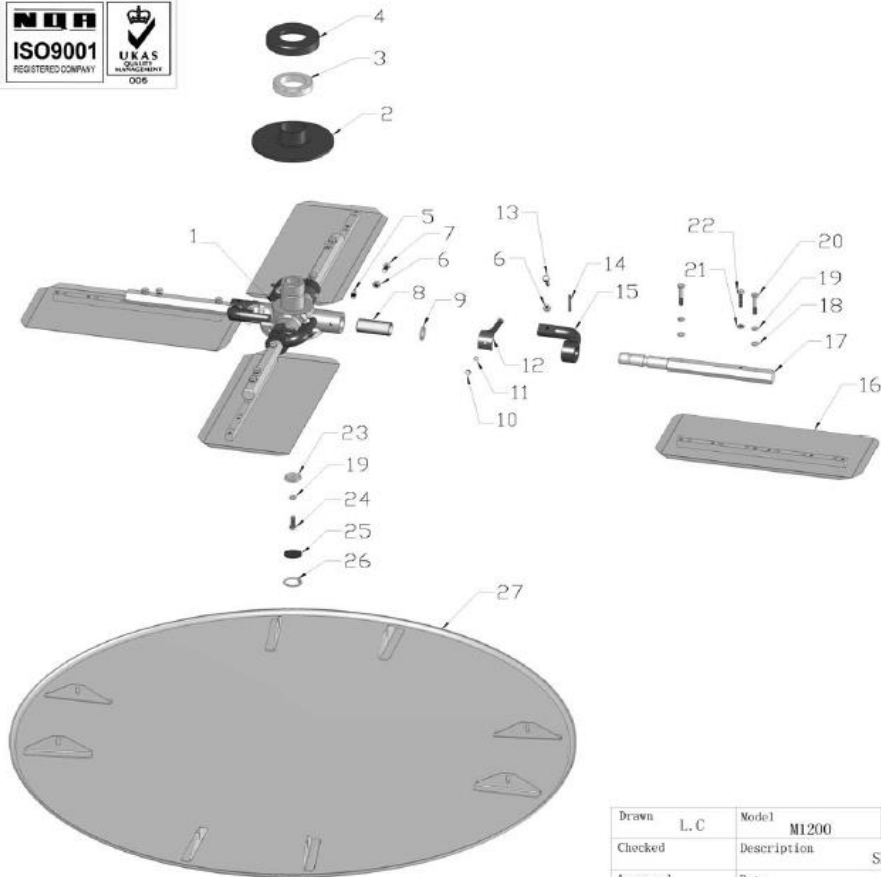


M1200-01 SPIDER ASSY

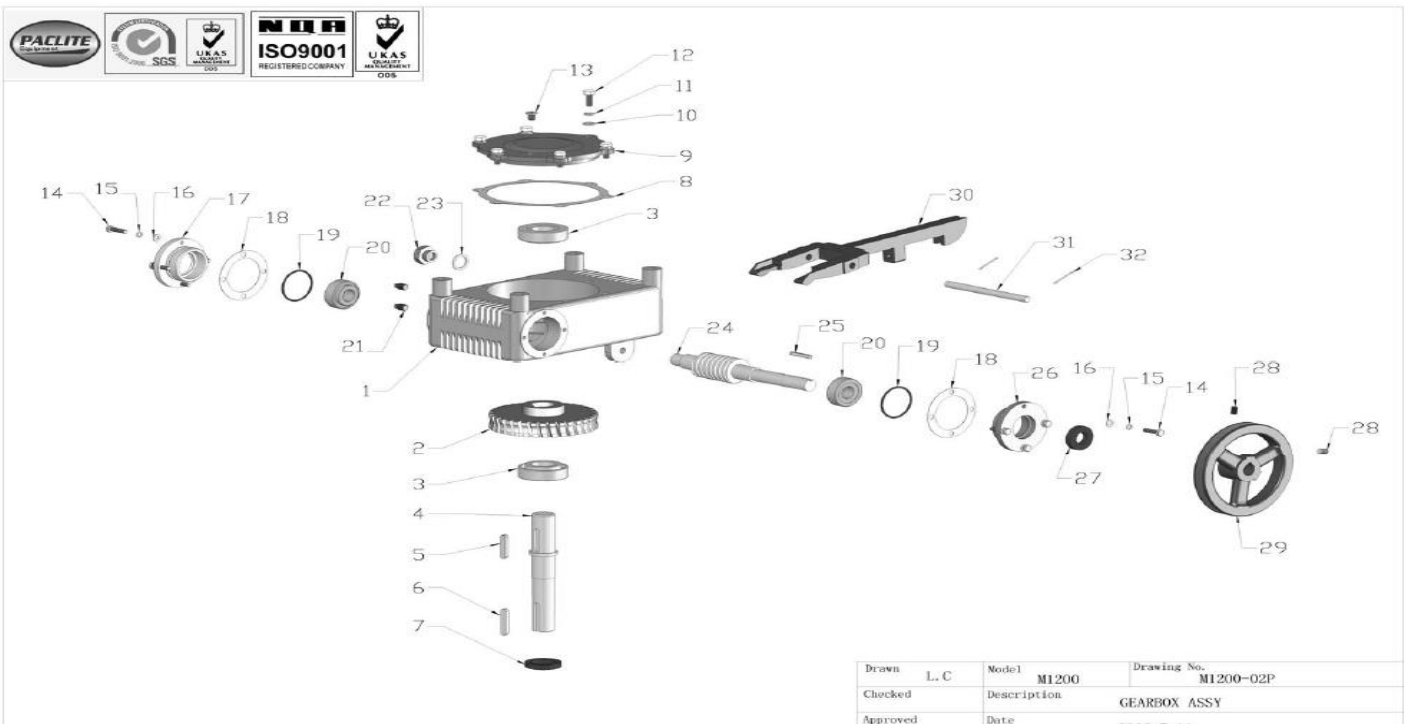
NO	PART NO	PART DESCRIPTION	QTY	UNIT PRICE (EUR) 2023
01-1	M1200-947-00609	SPIDER	1	383,97 €
01-2	M1200-947-00603	TILT PLATE	1	112,96 €
01-3	M1200-W01-NIS-55TNK29	BEARING	1	34,50 €
01-4	M1200-947-00605	BEARING HOUSING	1	35,35 €
01-5	M1200-TOL-T-001	GREASE NIPPLE	4	0,65 €
01-6	M1200-FN.N-M8-DIN-1	NUT	8	0,30 €
01-7	M1200-FN.B-M8x20-8.8-DIN-1	BOLT	4	0,35 €
01-8	M1200-50-000067	SPIDER BUSH	4	48,65 €
01-9	M1200-W04-25x2	O RING	4	6,10 €
01-10	M1200-FN.B-M6x10-8.8-DIN-1	BOLT	4	0,35 €
01-11	M1200-SPG.W6-DIN-1	SPRING WASHER	4	0,40 €
01-12	M1200-947-00604	SPRING SLICE	4	18,85 €
01-13	M1200-SHH.B-M8x25	BOLT	4	0,75 €
01-14	M1200-SC.PIN-5x40	SPRING PIN	4	0,55 €
01-15	M1200-947-00602	TILT ARM	4	25,90 €
01-16	M1200-947-99956	COMBINATION BLADE	4	
01-17	M1200-947-00607	SPIDER ARM	4	127,36 €
01-18	M1200-FN.W8-DIN-1	WASHER	8	0,30 €
01-19	M1200-HSPG.W8-DIN-1	SPRING WASHER, TANG ENDS	9	0,30 €
01-20	M1200-FN.B-M8x45-8.8-DIN-1	BOLT	8	0,45 €
01-21	M1200-FNL.N-M8	HEXAGON THIN NUT	4	0,30 €
01-22	M1200-FN.B-M8x35-8.8-DIN-1	BOLT	4	0,40 €
01-23	M1200-947-99945	WASHER	1	9,45 €
01-24	M1200-FN.B-M8x25-8.8-DIN-1	BOLT	1	0,40 €
01-25	M1200-100G-040305	RUBBER WASHER	1	1,20 €
01-26	M1200-CH.RG36	INTERNAL CIRCLIP	1	0,55 €
01-27	M1200-120GB-080000P	ROUND PAN	1	260,22 €



Drawn	L. C	Model	M1200	Drawing No.	M1200-01
Checked		Description	SPIDER ASSY.		
Approved		Date	2009. 10. 5		

M1200-02P GEARBOX ASSY

NO	PART NO.	PART DESCRIPTION	QTY	UNIT PRICE (EUR) 2023
02-1	M1200-947-040001	WORM GEAR BOX	1	564,66 €
02-2	M1200-947-040107-1200	WORM GEAR	1	460,74 €
02-3	M1200-W01-32206-J	BEARING	2	38,25 €
02-4	M1200-947-040115	WORM GEAR SHAFT	1	211,74 €
02-5	M1200-Key.A-8x7x40	KEY	1	6,95 €
02-6	M1200-Key.A-8x7x45	KEY	1	7,35 €
02-7	M1200-W03-45x30x8	OIL SEAL	1	6,35 €
02-8	M1200-100GB-040402	SEAL, TOP COVER	1	6,35 €
02-9	M1200-100GB-040110	TOP COVER	1	34,50 €
02-10	M1200-FN.W8-DIN-1	WASHER	6	0,30 €
02-11	M1200-SPG.W8-DIN-1	SPRING WASHER	6	0,30 €
02-12	M1200-FN.B-M8x20-8.8-DIN-1	BOLT	6	0,35 €
02-13	M1200-100G-000004	VENT SCREW	1	4,70 €
02-14	M1200-FN.B-M6x25-8.8-DIN-1	BOLT	8	0,40 €
02-15	M1200-SPG.W6-DIN-1	SPRING WASHER	8	0,40 €
02-16	M1200-FN.W6-DIN-1	WASHER	8	0,40 €
02-17	M1200-100GB-040302	CLOSE COVER	1	32,95 €
02-18	M1200-100GB-040401	SEAL, SIDE COVER	2	6,35 €
02-19	M1200-W04-47.7x2.65	O RING	2	6,35 €
02-20	M1200-W01-32204-J	BEARING	2	51,85 €
02-21	M1200-100GB-040111	STOPPER	2	3,15 €
02-22	M1200-100GB-041000	OIL GAUGE	1	32,95 €
02-23	M1200-ZH-D-M20	WASHER	1	0,60 €
02-24	M1200-120GB-040308	WORM	1	333,15 €
02-25	M1200-Key.A-5x5x32	KEY	1	6,25 €
02-26	M1200-100GB-040310	SIDE COVER	1	32,95 €
02-27	M1200-W03-40x20x8	OIL SEAL	1	6,35 €
02-28	M1200-FHSS.S-M8x12	GRUB SCREW	2	0,95 €
02-29	M1200-947-99988	GEARBOX PULLEY	1	115,64 €
02-30	M1200-100G-060400	TILT YOKE	1	40,75 €
02-31	M1200-100G-060500	SHAFT	1	6,25 €
02-32	M1200-SP.PIN-2x26	SPLIT PIN	2	35,00 €



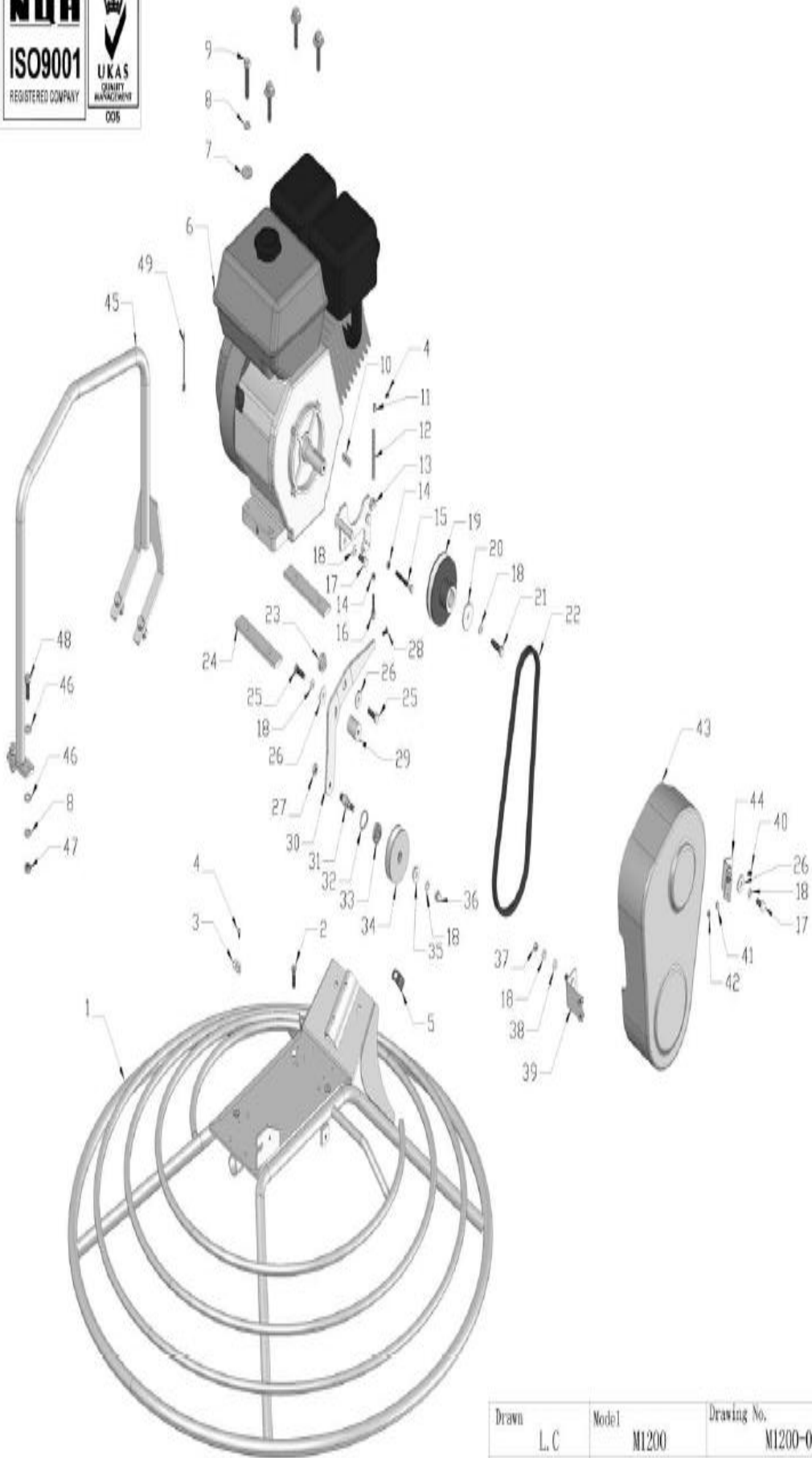
M1200-03 ENGINE BASE AND CLUTCH ASSY

NO	PART NO.	PART DESCRIPTION	QTY	UNIT PRICE (EUR) 2023
03-1	M1200-120GB-020000	GUARD RING	1	564,66 €
03-2	M1200-HSF.S-M8x30	SOCKET COUNTERSUNK HEAD SCREW	4	0,80 €
03-3	M1200-X1-J-10.4	CABLE CLAMP	1	0,60 €
03-4	M1200-PAN.S-M4x10	PAN HEAD SCREW	2	0,40 €
03-5	M1200-90GB-030900F	CLIP	1	9,40 €
03-6	M1200-W05-GX270	ENGINE	1	
03-7	M1200-WOD.W10-GB-1	WASHER	4	0,40 €
03-8	M1200-HSPG.W10-DIN-1	SPRING WASHER, TANG ENDS	8	0,30 €
03-9	M1200-FN.B-M10x50-8.8-DIN-1	BOLT	4	0,55 €
03-10	M1200-Key.B-7x7x32	KEY	1	6,25 €
03-11	M1200-947-99965	CABLE RETAINER	1	43,15 €
03-12	M1200-2-0060	MANUAL CLUTCH SPRING	1	19,00 €
03-13	M1200-947-01700	MOUNTING PLATE	1	120,44 €
03-14	M1200-FN.N-M8-DIN-1	NUT	2	0,30 €
03-15	M1200-FN.B-M6x60-8.8HALF-DIN-1	BOLT	1	0,45 €
03-16	M1200-947-99971	CABLE ADJUSTER	1	17,35 €
03-17	M1200-FN.B-M8x20-8.8-DIN-1	BOLT	3	0,35 €
03-18	M1200-HSPG.W8-DIN-1	SPRING WASHER, TANG ENDS	7	0,30 €
03-19	M1200-120GB-030500F	PTO PULLEY	1	94,16 €
03-20	M1200-120GB-030600F	WASHER	1	7,85 €
03-21	M1200-FN.B-M8x35-8.8-DIN-1	BOLT	1	0,40 €
03-22	M1200-W02-A34	BELT	1	32,95 €
03-23	M1200-947-99974	TENSIONING LEVER BUSH	1	41,60 €
03-24	M1200-120GB-030800F	ENGINE PACKER	2	38,15 €
03-25	M1200-FN.B-M8x30-8.8-DIN-1	BOLT	2	0,45 €
03-26	M1200-WOD.W8-GB-1	WASHER	3	0,35 €
03-27	M1200-FNL.N-M10-DIN-1	HEXAGON THIN NUT	1	0,40 €
03-28	M1200-PAN.S-M5x16	PAN HEAD SCREW	1	0,40 €
03-29	M1200-947-99913	THREADED BOSS	1	6,35 €
03-30	M1200-947-99957	CLUTCH ARM	1	94,12 €
03-31	M1200-947-99941	MANUAL CLUTCH BOLT	1	7,05 €
03-32	M1200-CH.RG28	INTERNAL CIRCLIP	1	0,50 €
03-33	M1200-W01-6001ZZ-J	BEARING	1	11,05 €
03-34	M1200-947-99918	TENSIONING PULLEY	1	32,95 €
03-35	M1200-947-99970	SPACER TOP HAT	1	9,45 €
03-36	M1200-HC.N-M8-DIN-1	CAP NUT	1	0,45 €
03-37	M1200-FN.N-M8-DIN-1	NUT	1	0,30 €
03-38	M1200-FN.W8-DIN-1	WASHER	1	0,30 €
03-39	M1200-947-08300	BELT GUARD BRACKET	1	9,55 €
03-40	M1200-FN.B-M5X12-8.8	BOLT	4	0,35 €
03-41	M1200-FN.W5-DIN-1	WASHER	4	0,35 €
03-42	M1200-947-000017	LOCK NUT	4	4,20 €
03-43	M1200-947-08201	BELT GUARD	1	135,52 €
03-44	M1200-120GB-030700F	GUARD BRACKET	1	25,75 €
03-45	M1200-120GB-030200	LIFTING HANDLE	1	164,71 €
03-46	M1200-FN.W10-DIN-1	WASHER	8	0,30 €
03-47	M1200-FN.N-M10-DIN-1	NUT	4	0,40 €
03-48	M1200-FN.B-M10x30-8.8-DIN-1	BOLT	4	0,50 €
03-49	M1200-90GB-000015	WIRE	1	9,40 €



ISO9001
REGISTERED COMPANY

UKAS
QUALITY
MANAGEMENT
005

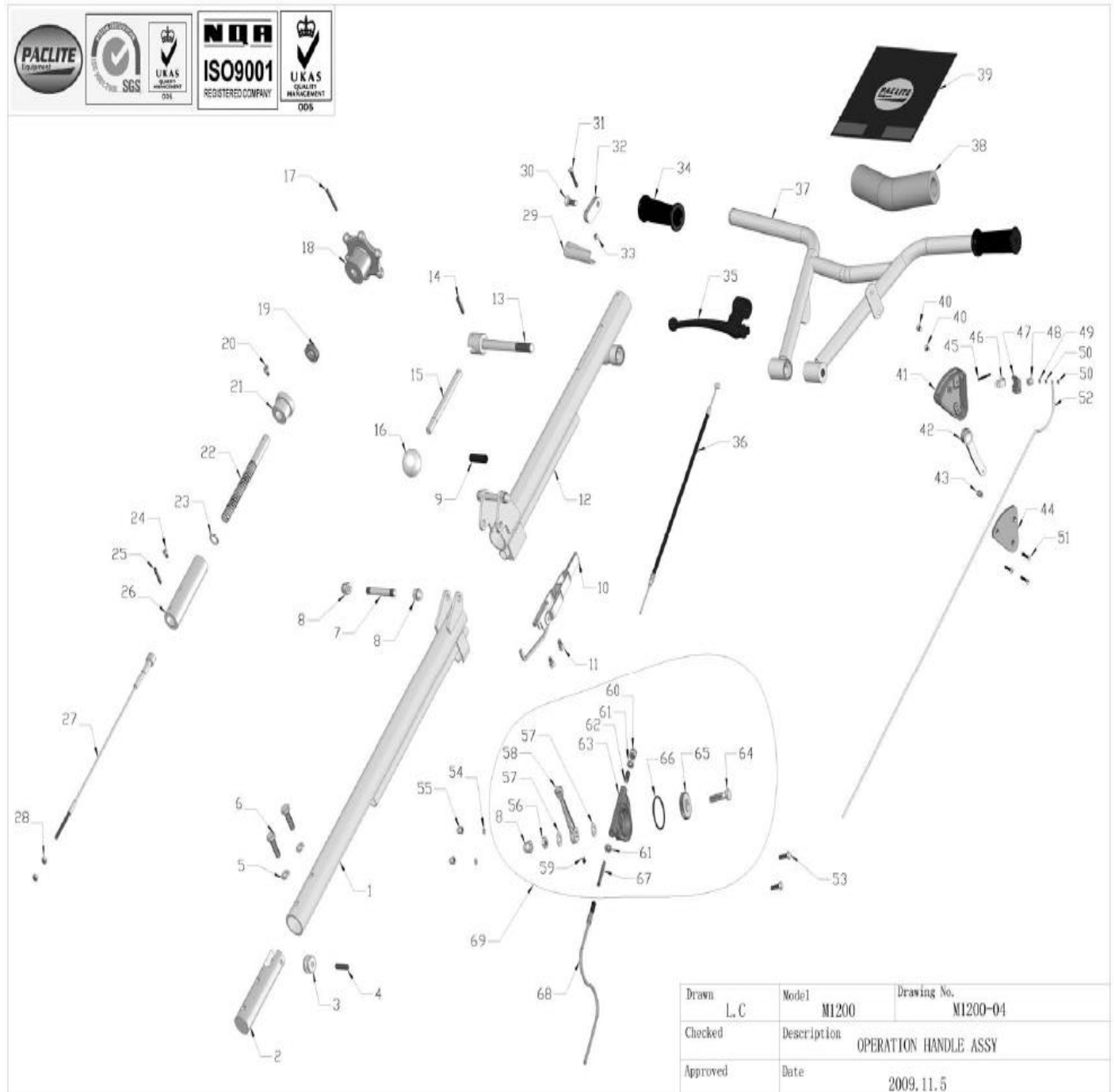


Drawn L. C	Model M1200	Drawing No. M1200-03
Checked	Description ENGINE BASE AND MANUAL CLUTCH ASSY	
Approved	Date 2009. 11. 5	

M1200-04 OPERATION HANDLE ASSY

NO	PART NO.	PART DESCRIPTION	QTY	UNIT PRICE (EUR) 2023
04-1	M1200-120GB-090300F	HANDLE BOTTOM	1	148,23 €
04-2	M1200-100G-010005	WHEEL BLOCK	1	21,20 €
04-3	M1200-100G-010004	WHEEL	1	17,30 €
04-4	M1200-SC.PIN-8x32	SPRING PIN	1	0,60 €
04-5	M1200-HSPG.W10-DIN-1	SPRING WASHER, TANG ENDS	2	0,30 €
04-6	M1200-FN.B-M10x35-8.8-DIN-1	BOLT	2	0,55 €
04-7	M1200-750-020300	PIN	2	3,75 €
04-8	M1200-HC.N-M10-DIN-2	CAP NUT	5	0,65 €
04-9	M1200-120GB-090400F	HOSE	1	22,25 €
04-10	M1200-750-020400	CLAMP	1	42,15 €
04-11	M1200-HS.B-M6x10-8.8-GB-1	SCREW	2	0,40 €
04-12	M1200-120GB-090100F	HANDLE UPPER	1	231,72 €
04-13	M1200-947-06606	SCREWD-TOMMY BAR	1	69,05 €
04-14	M1200-SC.PIN-6x30	SPRING PIN	1	0,50 €
04-15	M1200-947-99947	BAR	1	9,45 €
04-16	M1200-SH.A-M12x40	GRIP BALL	1	2,85 €
04-17	M1200-SC.PIN-5x40	SPRING PIN	1	0,55 €
04-18	M1200-100G-010008P	PITCH CONTROL KNOB	1	77,65 €
04-19	M1200-W01-51103-J	BEARING	1	18,20 €
04-20	M1200-HS.B-M6x8-8.8-GB-1	SCREW	1	0,40 €
04-21	M1200-100G-010006	BEARING COVER	1	11,00 €
04-22	M1200-100G-010003	ADJUSTING SCREW	1	26,15 €
04-23	M1200-CS.RG16	EXTERNAL CIRCLIP	1	0,40 €
04-24	M1200-HS.B-M5x8-8.8-GB-1	SCREW	1	0,35 €
04-25	M1200-SC.PIN-5x30	SPRING PIN	1	0,50 €
04-26	M1200-100G-010002	SLIDE BUSH	1	82,84 €
04-27	M1200-120GB-000010	DEPTH CONTROL CABLE ASSY	1	18,30 €
04-28	M1200-FN.N-M6-DIN-1	NUT	2	0,35 €
04-29	M1200-947-01802	PRESSING CLUTCH AID	1	8,65 €
04-30	M1200-HSF.S-M8x25	SOCKET COUNTERSUNK HEAD SCREW	1	0,65 €
04-31	M1200-FN.B-M5x30-8.8-DIN-1	BOLT	1	0,40 €
04-32	M1200-947-01801	CLUTCH LEVER CONNECTOR	1	12,65 €
04-33	M1200-FN.N-M5-DIN-1	NUT	1	0,35 €
04-34	M1200-100G-010001	HANDLE COVER	2	9,45 €
04-35	M1200-947-99996	CONTROL LEVER	1	47,75 €
04-36	M1200-947-99951	CLUTCH CABLE	1	44,40 €
04-37	M1200-120GB-090200F	HANDLEBAR	1	182,61 €
04-38	M1200-947-99998	HANDLE FOAM	1	11,75 €
04-39	M1200-120GB-000005	HANDLE FABRIC	1	28,25 €
04-40	M1200-F.S-M5x10	COUNTERSUNK HEAD SCREW	2	0,40 €
04-41	M1200-100G-010101	CUTOUT SWITCH SHELL	1	12,65 €
04-42	M1200-100G-010103	CUTOUT SWITCH LEVER	1	28,25 €
04-43	M1200-100G-010104	CUTOUT SWITCH BUSH	1	1,60 €
04-44	M1200-100G-010102	CUTOUT COVER	1	5,60 €
04-45	M1200-F.S-M3x30	COUNTERSUNK HEAD SCREW	1	0,45 €
04-46	M1200-100G-010107	CUTOUT SWITCH REED	1	4,70 €
04-47	M1200-100G-010105	CUTOUT SWITCH OUTLET	1	4,00 €
04-48	M1200-100G-010106	CUTOUT SWITCH WASHER	1	4,70 €
04-49	M1200-FN.W3-DIN-2	WASHER	1	0,40 €
04-50	M1200-FN.N-M3-DIN-1	NUT	2	0,40 €
04-51	M1200-F.S-M4x25	COUNTERSUNK HEAD SCREW	3	0,35 €

04-52	M1200-100G-000014	WIRE HARNESS	1	7,95 €
04-53	M1200-FN.B-M6x20-8.8-DIN-2	BOLT	2	0,40 €
04-54	M1200-SPG.W6-DIN-2	SPRING WASHER	2	0,40 €
04-55	M1200-HC.N-M6-DIN-2	CAP NUT	2	0,40 €
04-56	M1200-FNL.N-M10-DIN-2	HEXAGON THIN NUT	1	0,40 €
04-57	M1200-FN.W10-DIN-2	WASHER	2	0,30 €
04-58	M1200-70ND-060000	THROTTLE LEVER	1	29,05 €
04-59	M1200-FHSS.S-M6x8-GB-3	SOCKET SCREW WITH FLAT HEAD	1	0,35 €
04-60	M1200-HC.N-M8-DIN-2	CAP NUT	1	0,45 €
04-61	M1200-FNL.N-M8-DIN-2	HEXAGON THIN NUT	2	0,30 €
04-62	M1200-FHSS.S-M8x20-GB-3	SOCKET SCREW WITH FLAT HEAD	1	3,30 €
04-63	M1200-70ND-060001	THROTTLE BODY	1	38,95 €
04-64	M1200-70ND-060003	BOLT	1	16,25 €
04-65	M1200-70ND-060002	THROTTLE GEAR	1	32,45 €
04-66	M1200-W04-45x3	O-RING	1	6,00 €
04-67	M1200-70ND-060004	SLIDER	1	9,70 €
04-68	M1200-W06-S04-L1420x1620	THROTTLE CABLE	1	86,45 €
04-69	M1200-70ND-010018	THROTTLE LEVER ASSY	1	108,48 €



Drawn	L. C	Model	M1200	Drawing No.	M1200-04
Checked		Description	OPERATION HANDLE ASSY		
Approved		Date	2009.11.5		