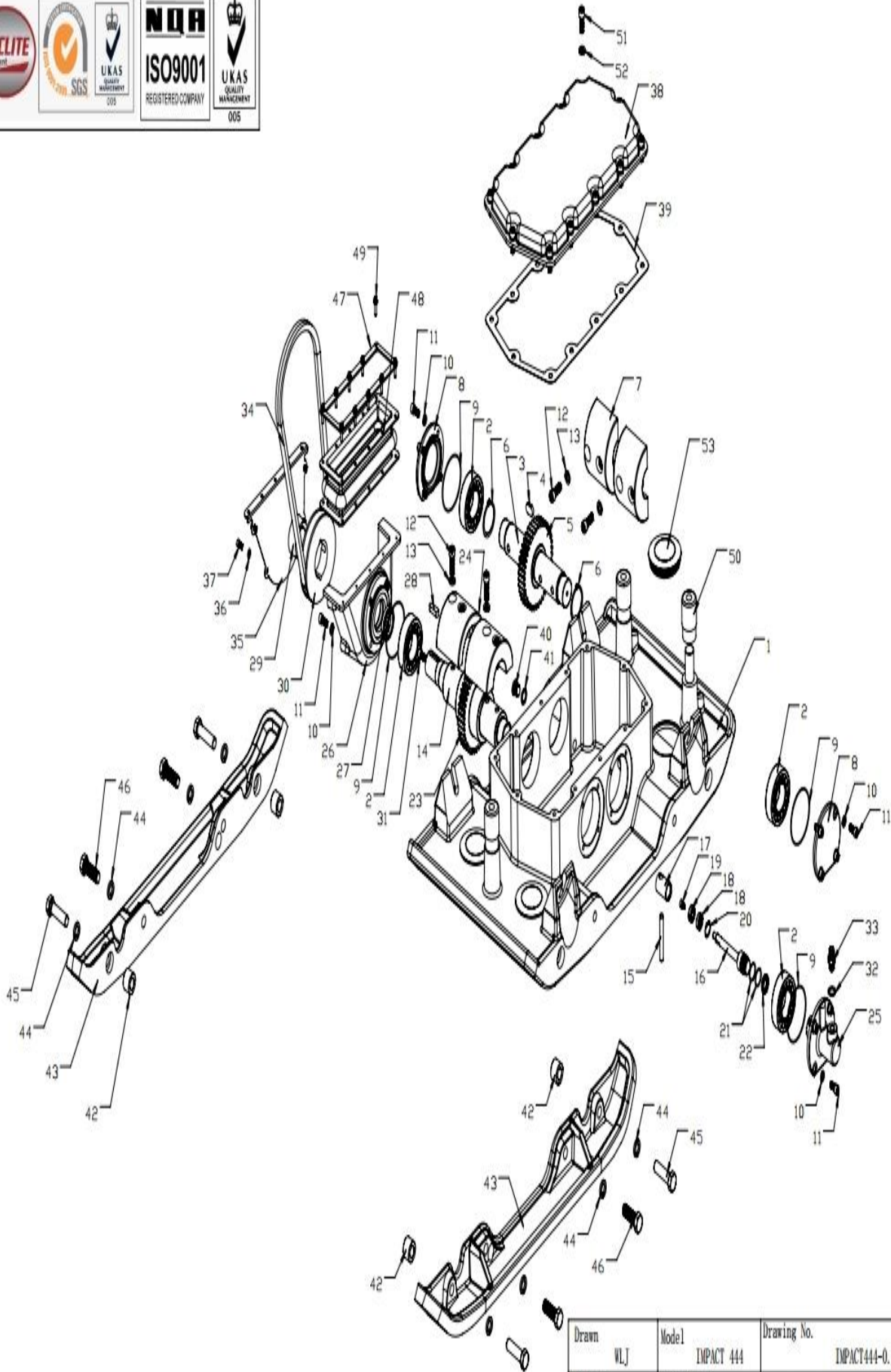


IMPACT444-0.1-A BASE PLATE & GEAR BOX ASSEMBLY

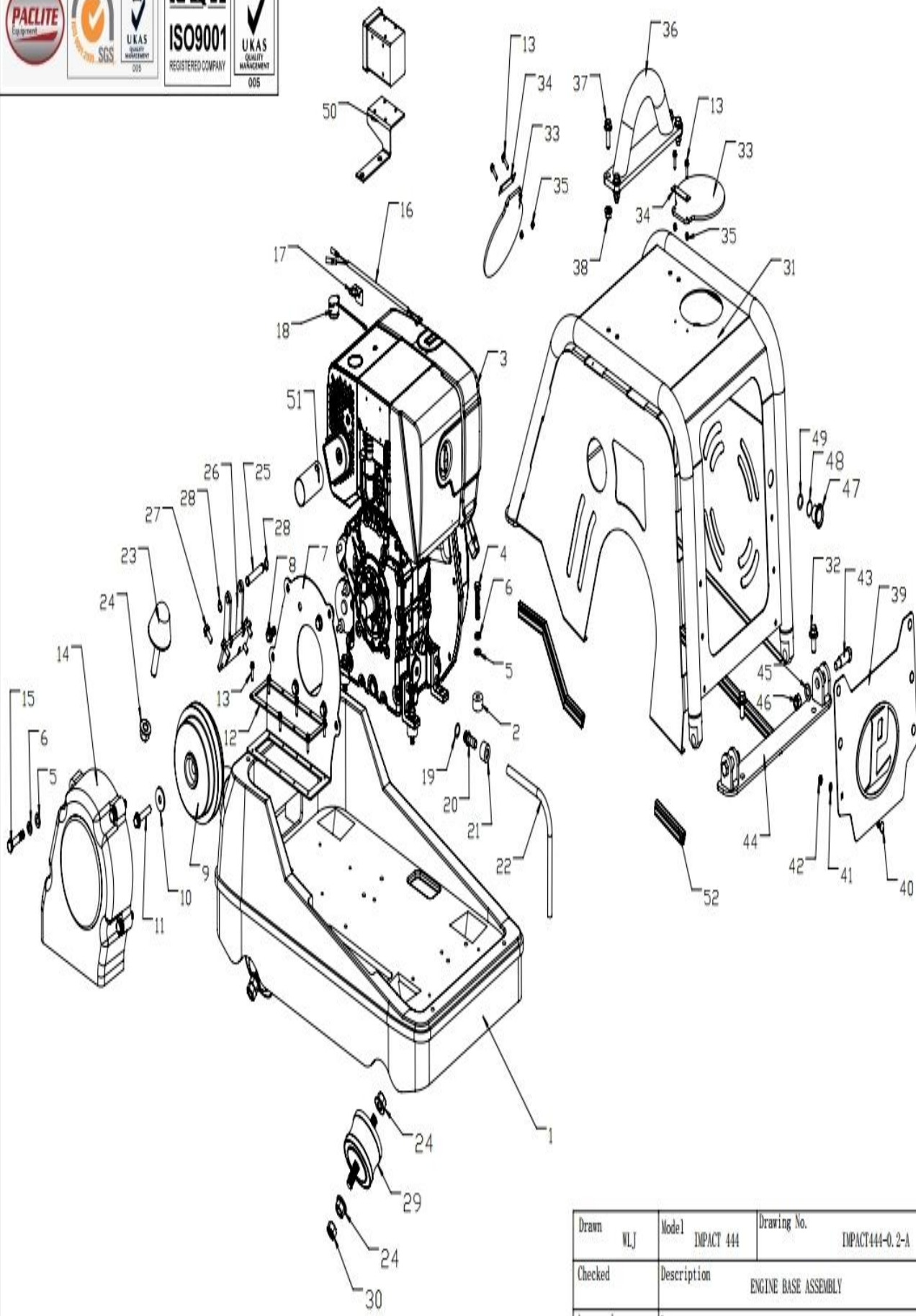
NO	PART NO	PART DESCRIPTION	QTY	UNIT PRICE (EUR) 2023
0.1-1	CPT400-410-A	BOTTOM PLATE	1	867,72 €
0.1-2	CPT400-55-A	Roller bearing	4	222,06 €
0.1-3	CPT400-10-C	Secondary axle	1	126,08 €
0.1-4	CPT400-69-B	Secondary Axle Key	1	14,05 €
0.1-5	CPT400-51-B	Secondary gear	1	403,76 €
0.1-6	CPT400-CS.RG45	Circlip-Secondary Axle	2	1,20 €
0.1-7	CPT400-52-E	Eccentric weight-Secondary	2	162,68 €
0.1-8	CPT400-21-A	Bearing Cover	2	26,55 €
0.1-9	CPT400-61-A	Oil ring	4	2,40 €
0.1-10	CPT400-HSPG.W8-DIN-3	Washer	16	0,30 €
0.1-11	CPT400-HS.B-M8X20-12.9-DIN-3	Bolt	16	1,40 €
0.1-12	CPT400-HS.B-M10x25-12.9-DIN-3	Socket Head Screw	8	3,35 €
0.1-13	CPT400-HSPG.W10-DIN-3	Washer	8	0,30 €
0.1-14	CPT400-42-E	Primary Axle	1	510,30 €
0.1-15	CPT400-38-C	Led pin	1	13,85 €
0.1-16	CPT400-15-F	SWITCH PLUNGER	1	12,30 €
0.1-17	CPT400-20-E	Guide led Pin	1	15,60 €
0.1-18	CPT400-56-A	Ball bearing	2	22,70 €
0.1-19	CPT400-HS.B-M6X10-8.8-DIN-1	Bolt	1	0,40 €
0.1-20	CPT400-75-A	Circlip-Switch Plunger	1	5,60 €
0.1-21	CPT400-W04-21.8x2.4	O-ring	2	6,65 €
0.1-22	CPT400-W03-18*26*5	Oil Seal-Plunger	1	10,05 €
0.1-23	CPT400-50-B	Switch gear	1	459,84 €
0.1-24	CPT400-28-D	Eccentric weight-primary	2	186,38 €
0.1-25	CPT400-11-C	Switch Cylinder	1	147,56 €
0.1-26	CPT400-430-A	BELT COVER	1	164,33 €
0.1-27	CPT400-W03-47x36x7	Gear Box Oil seal	1	10,70 €
0.1-28	CPT400-08-A	Primary Axle key	1	11,25 €
0.1-29	CPT400-54-A	Taper Bore Bush	1	19,85 €
0.1-30	CPT400-433-A	Gear Box Pulley	1	90,15 €
0.1-31	CPT400-HS.B-M8x16-8.8-DIN-2	Socket Screw	1	0,45 €
0.1-32	CPT400-ZH-D-M12	Washer	1	0,60 €
0.1-33	CPT400-67-A	GB Connector	1	11,80 €
0.1-34	CPT400-W02-BX40	V-belt	1	
0.1-35	CPT400-431-A	SHEET	1	50,65 €
0.1-36	CPT400-HSPG.W6-DIN-3	SPRING WASHER,TANG ENDS	4	0,35 €
0.1-37	CPT400-HS.B-M6x12-8.8-GB-3	SCREW	4	1,45 €
0.1-38	CPT400-440-A	GEARBOX COVER	1	142,40 €
0.1-39	CPT400-442-A	GASKET	1	37,90 €
0.1-40	CPT400-HSHOS.B-M16	HEXAGONAL SOCKET HEAD PLUG	1	2,95 €
0.1-41	CPT400-ZH-D-M16	WASHER	1	0,60 €
0.1-42	CPT400-29-B	Base plate precision mount	4	11,05 €
0.1-43	CPT400-420-A	EXTENSION PLATE	2	213,87 €
0.1-44	CPT400-HSPG.W16-DIN-3	SPRING WASHER,TANG ENDS	8	0,95 €
0.1-45	CPT400-FN.B-M16x60-12.9-DIN-3	BOLT	4	4,45 €
0.1-46	CPT400-FN.B-M16x50-12.9-DIN-3	BOLT	4	4,40 €
0.1-47	CPT400-432-A	SHEET	1	28,60 €
0.1-48	CPT400-500-A	DUSTPROOF SUITS	1	97,08 €
0.1-49	CPT400-HF.B-M5x20-8.8-DIN-3	BOLT	10	2,45 €
0.1-50	CPT400-510-A	SHOCK RUBBER	3	88,50 €
0.1-51	CPT400-HS.B-M10x25-8.8-GB-2	SCREW	12	3,35 €
0.1-52	CPT400-HSPG.W10-DIN-2	SPRING WASHER,TANG ENDS	12	0,30 €
0.1-53	CPT400-414-A	RUBBER PLUG	4	30,35 €



Drawn	Model	Drawing No.
WLJ	IMPACT 444	IMPACT444-0.1-A
Checked	Description BASE PLATE & GEAR BOX ASSY	
Approved	Date	2018.01.22

IMPACT444-0.2-A ENGINE BASE ASSEMBLY

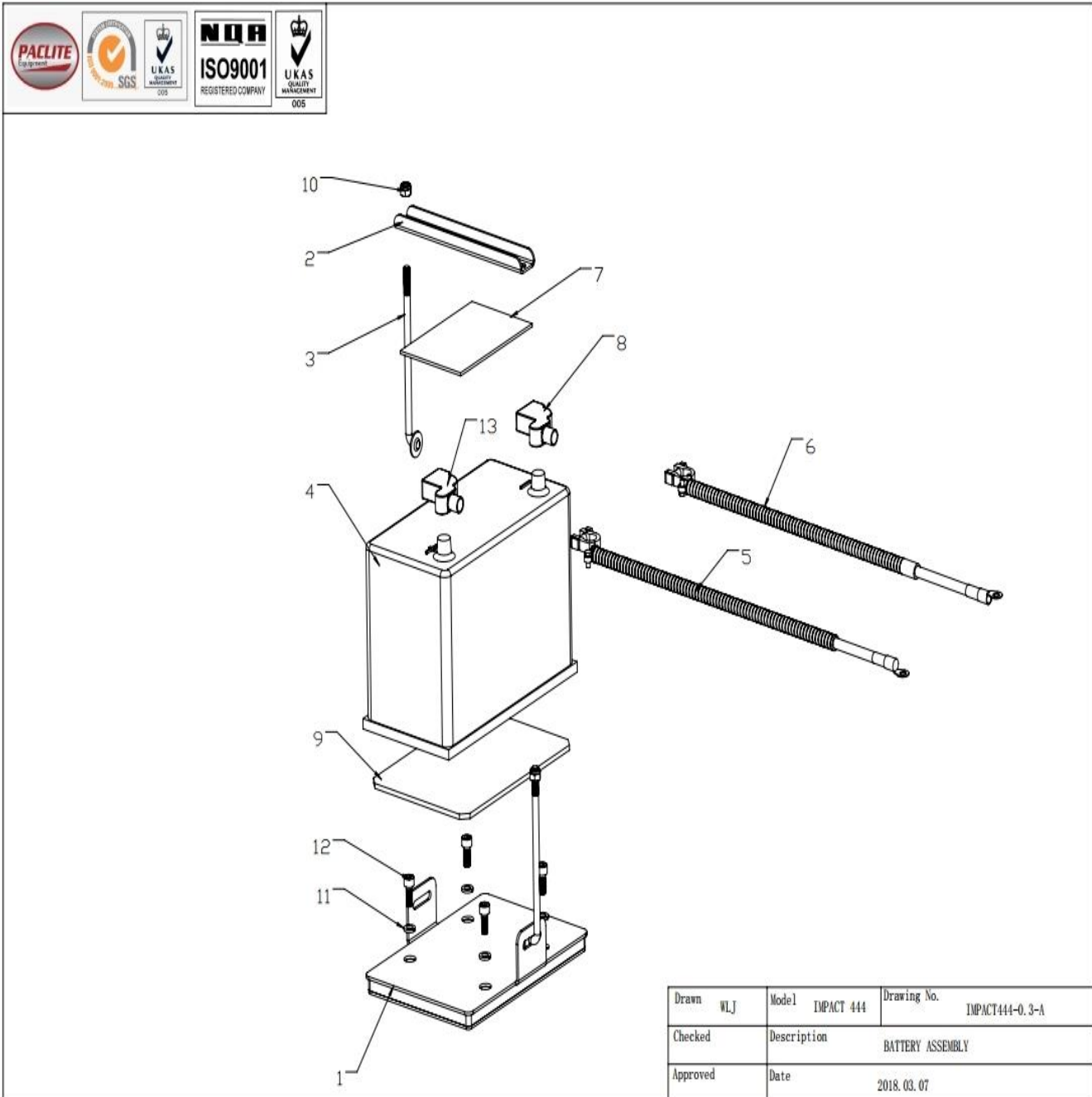
NO	PART NO.	PART DESCRIPTION	QTY	UNIT PRICE (EUR) 2023
0.2-1	CPT400-460-A	ENGINE BASE	1	640,00 €
0.2-2	CPT400-465-A	PLATE	4	18,55 €
0.2-3	CPT400-W05-1B40U-3	Hatz Engine	1	
0.2-4	CPT400-FN.B-M10x45-8.8-DIN-2	BOLT	4	0,50 €
0.2-5	CPT400-FN.W10-DIN-2	WASHER	8	0,30 €
0.2-6	CPT400-HSPG.W10-DIN-2	SPRING WASHER,TANG ENDS	8	0,30 €
0.2-7	CPT400-451-A	CLUTCH SHEET	1	98,52 €
0.2-8	CPT400-HF.B-M10x20-8.8-DIN-2	BOLT	4	2,60 €
0.2-9	CPT400-W18-E125-1805	Centrifugal clutch	1	706,82 €
0.2-10	CPT400-80-0303	Washer	1	3,20 €
0.2-11	CPT400-HF.B-M10x55-8.8-DIN-2	BOLT	1	3,40 €
0.2-12	CPT400-432-A	SHEET	1	28,60 €
0.2-13	CPT400-HF.B-M5x20-8.8-DIN-3	BOLT	10	2,45 €
0.2-14	CPT400-450-A	CLUTCH COVER	1	114,88 €
0.2-15	CPT400-FN.B-M10x55-8.8HALF-DIN-2	BOLT	4	4,45 €
0.2-16	CPT400-172-A	WIRE	1	57,15 €
0.2-17	CPT400-173-A	BUZZER BRACKET	1	11,15 €
0.2-18	CPT400-ROL650-080500	BUZZER	1	37,95 €
0.2-19	CPT400-W04-16X1.5	Oring	1	5,80 €
0.2-20	CPT400-HCC20A-1B40-100-A	Drain Knob	1	57,00 €
0.2-21	CPT400-HCC20A-1B40-101-A	Drain Connector	1	64,20 €
0.2-22	CPT400-SLSG-19*2.5	Hose	0.4 meter	
0.2-23	CPT400-09-A©	HandleBar Touch	1	92,70 €
0.2-24	CPT400-HF.N-M16-DIN-2	Flange Nut	9	1,65 €
0.2-25	CPT400-456-A	PIN	1	27,35 €
0.2-26	CPT400-455-A	BRACKET	1	50,30 €
0.2-27	CPT400-HF.B-M8x20-8.8-DIN-2	BOLT	4	3,20 €
0.2-28	CPT400-CS.RG12	EXTERNAL CIRCLIP	2	0,60 €
0.2-29	CPT400-400-A(C)	Shock mount 100x62	4	82,80 €
0.2-30	CPT400-FN.N-M16-DIN-2	NUT	4	0,95 €
0.2-31	CPT400-710-A	SAFETY COVER	1	368,91 €
0.2-32	CPT400-HF.B-M12x25-8.8-DIN-2	BOLT	4	3,25 €
0.2-33	CPT400-200H-18-A	RUBBER PAD	2	39,35 €
0.2-34	CPT400-200H-30-A	PLANK	2	4,75 €
0.2-35	CPT400-IN.N-M5-DIN-2	LOCK NUT	4	0,75 €
0.2-36	CPT400-39-A	LIFT EYE	1	
0.2-37	CPT400-HF.B-M10x30-8.8-DIN-2	BOLT	4	3,45 €
0.2-38	CPT400-HF.N-M10-DIN-2	Flange Nut	4	0,95 €
0.2-39	CPT400-765-A	FRONT COVER	1	76,30 €
0.2-40	CPT400-CHSN.B-M6×16-GB-2	BOLT	6	2,95 €
0.2-41	CPT400-FN.W6-DIN-2	Washer	6	0,40 €
0.2-42	CPT400-IN.N-M6-DIN-2	LOCK NUT	6	0,40 €
0.2-43	CPT400-792-A	BOLT	2	22,85 €
0.2-44	CPT400-760-A	FRONT SUPPORT	1	99,56 €
0.2-45	CPT400-FN.W12-DIN-2	Washer	2	1,35 €
0.2-46	CPT400-IN.N-M12-DIN-2	LOCK NUT	2	0,55 €
0.2-47	CPT400-300-A	BUSHING	1	81,50 €
0.2-48	CPT400-W04-20X1.5	O-Ring	1	3,95 €
0.2-49	CPT400-W04-22X3.1	O-Ring	1	4,45 €
0.2-50	CPT400-793-A	SWITCH BOX HOLDER	1	31,75 €
0.2-51	CPT400-795-A	MUFFLER PIPE	1	91,32 €
0.2-52	CPT400-730-A	GASKETING	2.2meter	



Drawn	WLJ	Model	IMPACT 444	Drawing No.	IMPACT444-0.2-A
Checked		Description	ENGINE BASE ASSEMBLY		
Approved		Date	2018.03.02		

IMPACT444-0.3-A BATTERY ASSEMBLY

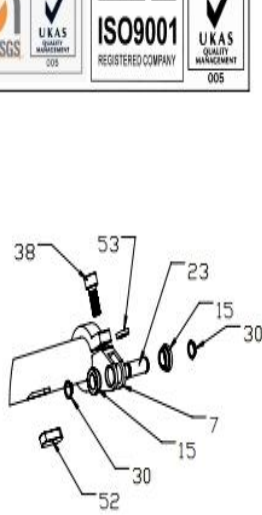
NO	PART NO.	PART DESCRIPTION	QTY	UNIT PRICE (EUR) 2023
0.3-1	CPT400-40-D	Battery Bottom Plate	1	81,20 €
0.3-2	CPT400-317-A	Battery Support 2	1	32,25 €
0.3-3	CPT400-45-D	Battery Support Rod	2	30,80 €
0.3-4	CPT400-58-B	Battery	1	324,66 €
0.3-5	CPT400-207-A	Anode wire	1	29,15 €
0.3-6	CPT400-206-A	Cathode Wire	1	29,15 €
0.3-7	530337	Rubber packaging	1	11,85 €
0.3-8	530343	Cathode Cap	1	6,05 €
0.3-9	CPT400-93-B	Battery Bottom Cover	1	33,95 €
0.3-10	CPT400-IN.N-M8-DIN-2	Lock Nut	2	0,45 €
0.3-11	CPT400-HSPG.W8-DIN-1	Washer	4	0,30 €
0.3-12	CPT400-HS.B-M8x25-8.8-DIN-1	Set Screw	4	2,95 €
0.3-13	530342	Anode Cap	1	6,70 €



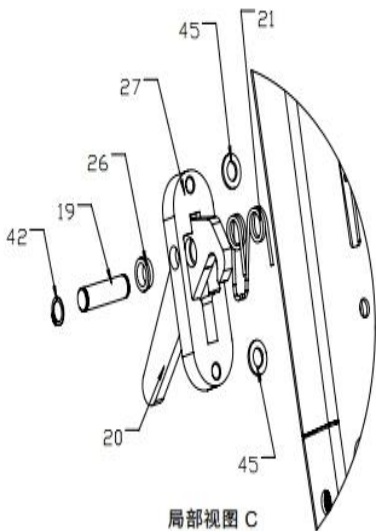
IMPACT444-0.4-A HANDLEBAR ASSEMBLY

NO	PART NO.	PART DESCRIPTION	QTY	UNIT PRICE (EUR) 2023
0.4-1	CPT400-621-A	Handle Support Welding	1	237,69 €
0.4-2	CPT400-123A-A	Handle Bar Housing	1	209,76 €
0.4-3	CPT400-131-A	Handle Bar Axis	1	63,95 €
0.4-4	CPT400-200-B	Shift handle Bar Shock Mount	2	99,88 €
0.4-5	CPT400-110-B	Cylinder	1	534,99 €
0.4-6	CPT400-109-B	Piston	1	116,96 €
0.4-7	CPT400-112-A	Handle Lever	1	95,10 €
0.4-8	CPT400-201-A	Spring Holding Plate	1	5,95 €
0.4-9	CPT400-114-A	Cylinder Cover	1	44,10 €
0.4-10	CPT150-120-A	Cylinder Spring	1	31,40 €
0.4-11	CPT400-118.1-B	Shift Bar Weldment	1	71,35 €
0.4-12	CPT400-203-A	Oil seal	1	33,15 €
0.4-13	CPT400-204-A	Guide ring	2	3,70 €
0.4-14	CPT400-202-A	Dust cover	1	31,20 €
0.4-15	CPT400-116-A	Brass Bush	2	5,75 €
0.4-16	CPT400-108-A	Bracket 2	1	48,20 €
0.4-17	CPT400-107-A	Bracket 1	1	48,20 €
0.4-18	CPT400-112.1-A	Bush	2	44,45 €
0.4-19	CPT400-37-A	Hook Pin	1	12,95 €
0.4-20	CPT400-35-C	Hook	1	64,10 €
0.4-21	CPT400-65-C	Hair Spring	1	12,75 €
0.4-22	CPT400-119-B	Eye pin-pin 8x26	1	13,20 €
0.4-23	CPT400-117-B	Handle lever pin(pin 10x28)	1	14,85 €
0.4-24	CPT400-W04-48x2	O-ring	1	6,85 €
0.4-25	CPT400-121-D	Handle bar cover	1	80,30 €
0.4-26	CPT400-64-C	Hook Pin Nylon Bracket	2	4,25 €
0.4-27	CPT400-36-B	Hook Frame	1	57,75 €
0.4-28	CPT400-208-A	Connector	2	20,65 €
0.4-29	CPT400-315	Shift handle bar assembly	1	154,60 €
0.4-30	CPT400-CS.RG16	Circlip	2	0,80 €
0.4-31	CPT400-17-A	HandleBar Tube	1	54,75 €
0.4-32	CPT400-HS.B-M8x50-8.8-DIN-2	Bolt	2	0,95 €
0.4-33	CPT400-CS.RG8	Circlip	2	4,40 €
0.4-34	CPT400-4H-16	Bolt	1	17,80 €
0.4-35	CPT400-HF.B-M8x16-8.8-DIN-2	Bolt	4	2,65 €
0.4-36	CPT400-HF.B-M12x25-8.8-DIN-2	Bolt	1	3,25 €
0.4-37	CPT400-HF.B-M6x12-8.8-DIN-2	Bolt	14	1,40 €
0.4-38	CPT400- HS.B-M8x20-8.8-DIN-1	Bolt	1	1,40 €
0.4-39	CPT400-HF.B-M12x30-8.8-DIN-2	Bolt	2	4,25 €
0.4-40	CPT400- HF.B-M8x20-8.8-DIN-2	Bolt	8	3,20 €
0.4-41	CPT400-HF.B-M10x25-8.8-DIN-2	Bolt	1	2,70 €
0.4-42	CPT400-CS.RG16	Circlip	2	0,80 €
0.4-43	CPT400-ZH-D-M16	Washer	1	0,60 €
0.4-44	CPT400-18-B©	HandleBar Touch	1	18,75 €
0.4-45	CPT400-FN.W12-DIN-2	Washer	2	1,35 €
0.4-46	CPT400-HSPG.W8-DIN-2	Washer	4	0,30 €
0.4-47	CPT400-FN.W8-DIN-2	Washer	4	0,30 €
0.4-48	CPT400-FN.B-M8x30-8.8-DIN-2	Bolt	4	0,45 €
0.4-49	CPT400-WOD.W12-DIN-2	Washer	2	0,70 €
0.4-50	CPT400-IN.N-M8-DIN-2	LockNut	4	0,45 €
0.4-51	CPT400-63-A	Hydraulic Hose	1	65,70 €

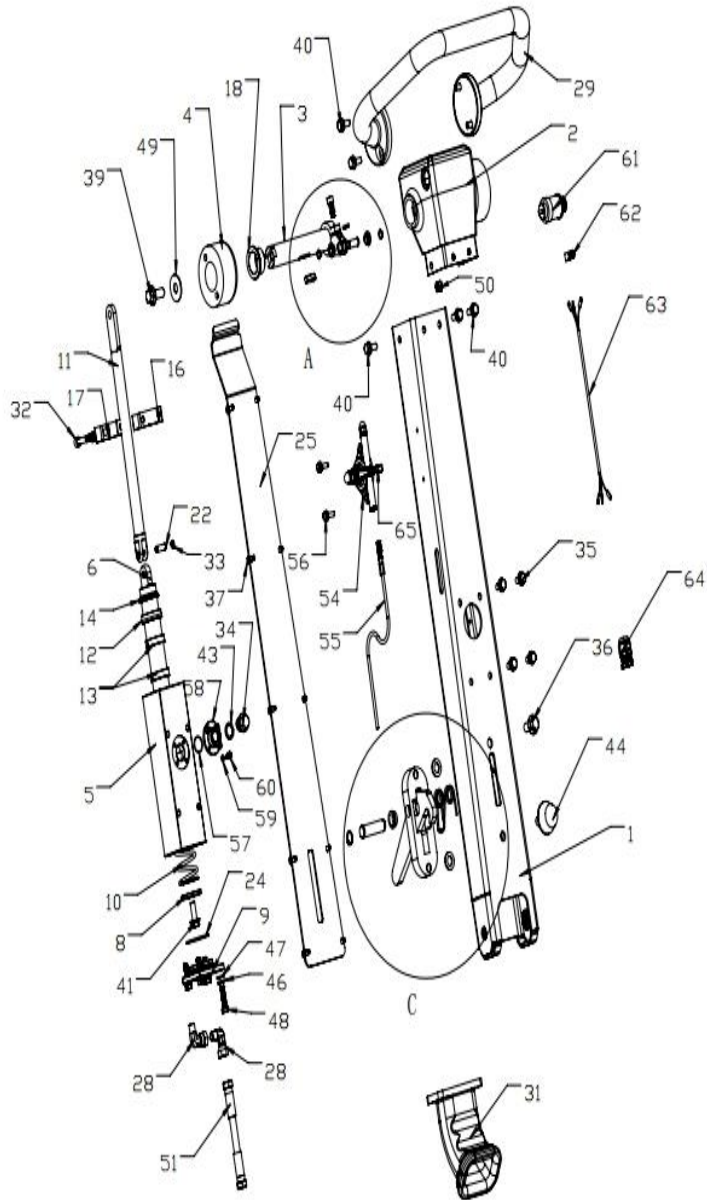
0.4-52	CPT400-KEY.A-8x7x30	key	1	1,30 €
0.4-53	CPT400-312-A	WASHER	1	13,75 €
0.4-54	CPT400-RAM70ND -010018	THROTTLE LEVER ASSY	1	108,76 €
0.4-55	CPT400-W06-S04-L1700*1900	THROTTLE CABLE	1	95,30 €
0.4-56	CPT400- HF.B-M6x20-8.8-DIN-2	Bolt	2	1,40 €
0.4-57	CPT400-W04-20x1.5	O-ring	1	1,30 €
0.4-58	CPT400-110.5-A	Oil filler sleeve	1	114,92 €
0.4-59	CPT400-HSPG.W5-DIN-2	Washer	4	1,45 €
0.4-60	CPT400-HS.B-M5x10-8.8-DIN-2	Bolt	4	1,95 €
0.4-61	CPT400-26-A	Key Switch	1	1 431,32 €
0.4-62	CPT400-CGS250-021100	CLIP	1	7,20 €
0.4-63	CPT400-476-A	KEY SWITCH WIRE	1	
0.4-64	CPT400-CGS250-011100	CONNECTOR , STRAIN RELIEF	1	23,75 €
0.4-65	CPT400-RAM70C-060000	THROTTLE LEVER	1	17,70 €



局部视图 A
比例 1 : 5



局部视图 C
比例 1 : 5



Drawn	WLJ	Model	IMPACT 444	Drawing No.	IMPACT444-0.4-A
Checked		Description	HANDLE BAR ASSEMBLY		
Approved		Date	2018.03.07		