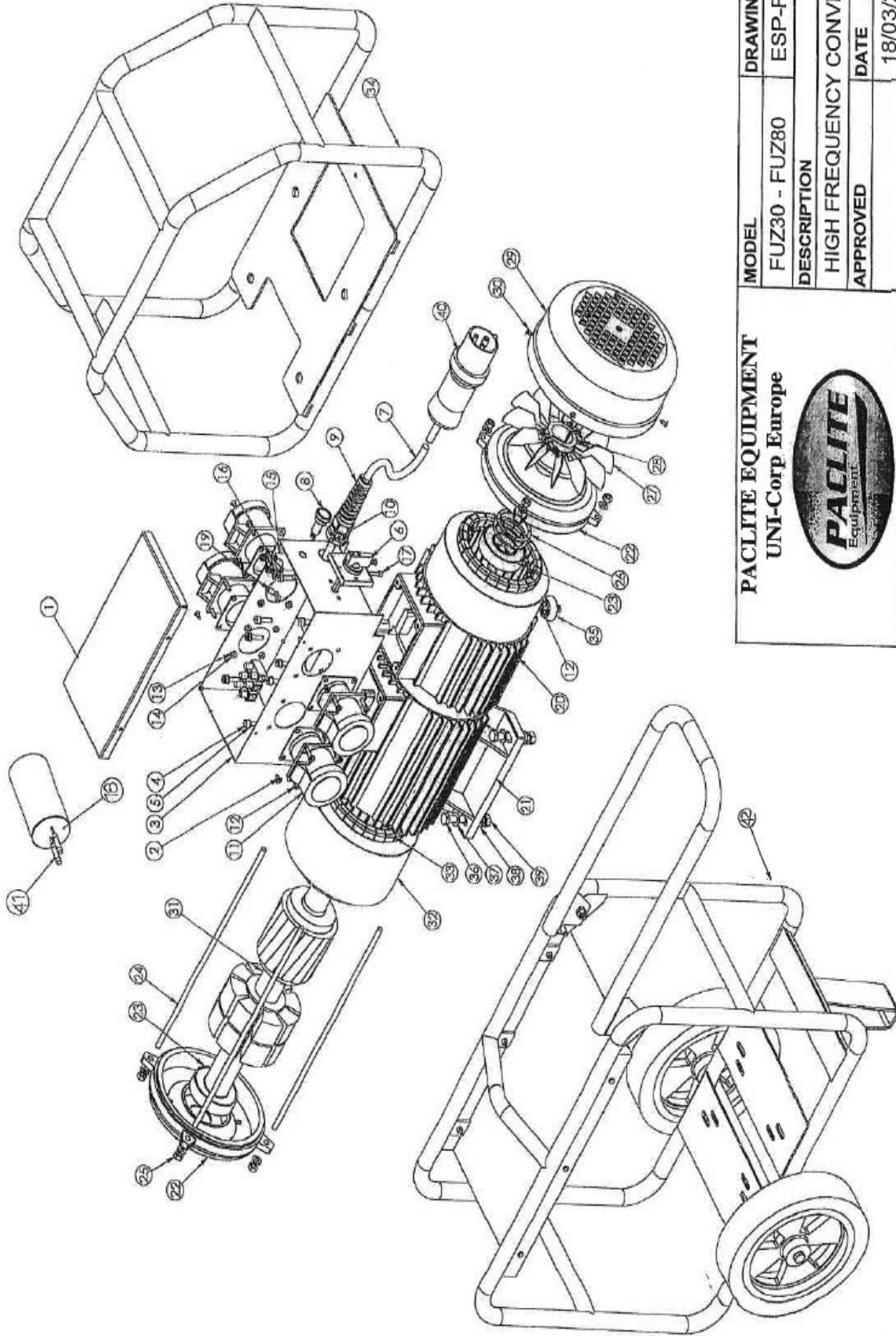


CONVERTER FUZ80

CODE	DRAW.	PART DESCRIPTION	QTY	UNIT PRICE (EUR) 2023
1301P	1	BOX COVER SOCKETS	1	33,00 €
1923/E	2	SCREW	4	1,00 €
1304P	3	SOCKETS BOX	1	98,00 €
1824	4	SCREW	4	1,00 €
1827	5	WASHER GEAR	4	1,00 €
1228	6	THREE-PHASE SWITCH	1	66,00 €
2105	7	THREE-PHASE POWER CORD	MT.1,2	22,00 €
1741/E	8	THREE-PHASE INDICATOR LIGHT	1	8,50 €
1232	9	CABLE GLAND	1	17,00 €
1233	10	NUT	1	1,50 €
1915/E	11	SOCKET	4	45,50 €
1732/E	12	SCREW	17	1,00 €
1731/E	13	WASHER	16	1,00 €
1738/E	14	NUT	16	1,00 €
1729/E	15	SUPPORT CABLE GLAND	1	1,50 €
1728/E	16	CABLE GLAND	1	1,00 €
1730/E	17	SCREW	2	1,00 €
1791/E	19	TERMINAL	1	1,00 €
1230	20	FRONT FINNED FRAME	1	104,00 €
1307	21	REAR FINNED FRAME	1	130,00 €
1231	22	SIDE SHIELD	2	78,00 €
1235	23	BEARING	2	97,50 €
1310	24	TIE ROD	4	19,50 €
1241	25	NUT	4	1,00 €
1243	26	RING	2	13,00 €
1245	27	FAN	1	39,00 €
1246	28	CLAMP + SCREWS	1	4,50 €
1247	29	FANCAGE	1	45,50 €
1248	30	SCREW	4	1,00 €
1324	31	THREE-PHASE COMPLETE SHAFT/ROTOR	1	470,00 €
1334	32	THREE-PHASE MOTOR STATOR	1	450,00 €
1343	33	ALTERNATOR	1	411,00 €
1366	35	VIBRATION	1	5,00 €
1269	36	SCREW	4	2,50 €
1270	37	WASHER	4	1,00 €
1271	38	WASHER GEAR	4	1,00 €
1272	39	NUT	4	1,00 €
71	40	THREE-PHASE PLUG	1	16,00 €
1370P	42	COMPLETE TROLLEY	1	330,00 €



PACLITE EQUIPMENT
UNI-Corp Europe



MODEL	DRAWING CODE
FUZ30 - FUZ80	ESP-F30/F80
DESCRIPTION	
HIGH FREQUENCY CONVERTERS	
APPROVED	DATE
	18/03/2014