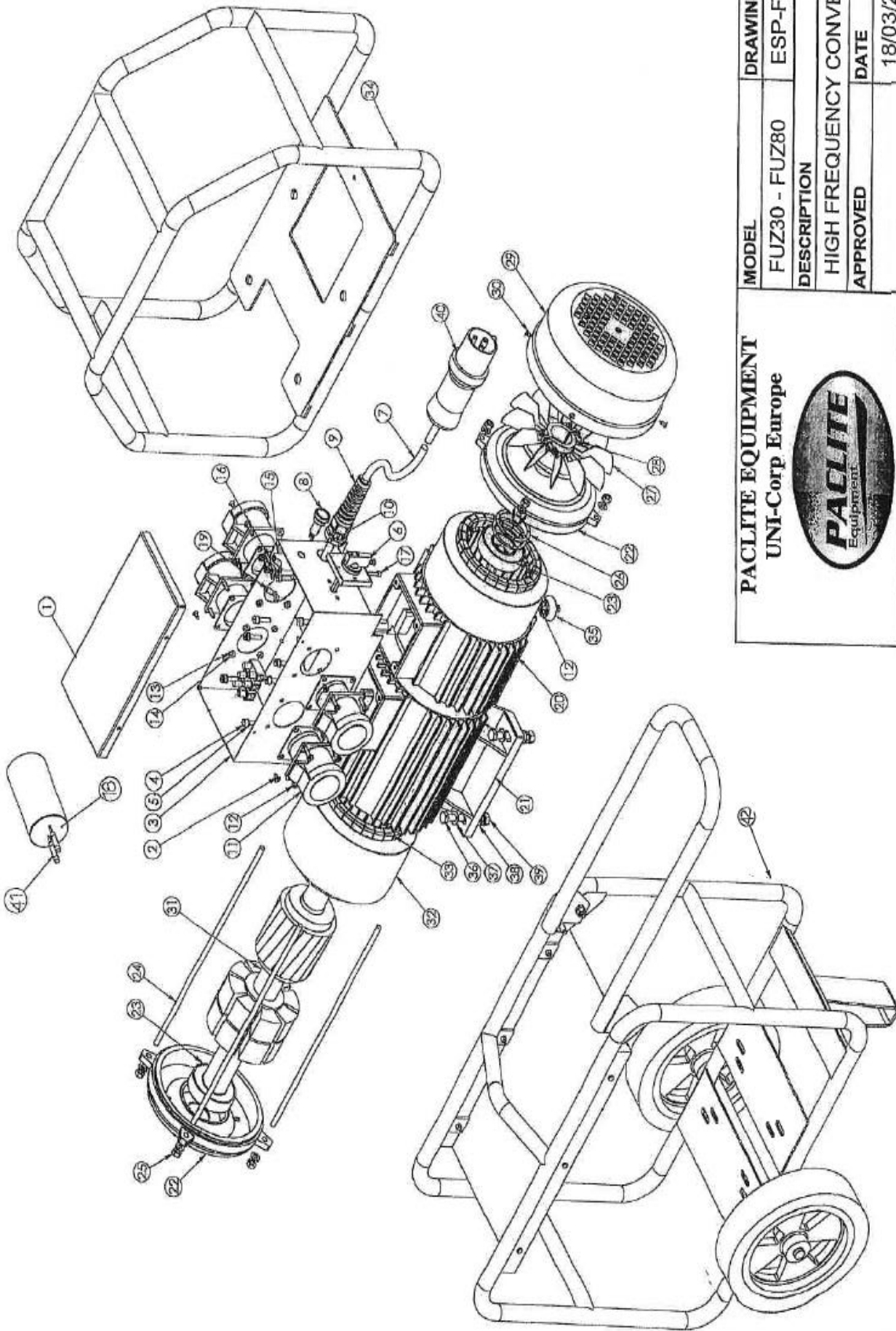


CONVERTER FUZ30

CODE	DRAW.	PART DESCRIPTION	QTY	UNIT PRICE (EUR) 2023
1301P	1	BOX COVER SOCKETS	1	33,00 €
1923/E	2	SCREW	4	1,00 €
1302P	3	SOCKETS BOX	1	88,00 €
1824	4	SCREW	4	1,00 €
1827	5	WASHER GEAR	4	1,00 €
1227	6	SINGLE-PHASE SWITCH	1	44,50 €
1733/E	7	SINGLE-PHASE POWER CORD	MT.1,2	17,00 €
1740/E	8	SINGLE-PHASE INDICATOR LIGHT	1	8,50 €
1722/E	9	CABLE GLAND	1	9,00 €
1723/E	10	NUT	1	1,00 €
1915/E	11	SOCKET	4	45,50 €
1732/E	12	SCREW	17	1,00 €
1731/E	13	WASHER	16	1,00 €
1738/E	14	NUT	16	1,00 €
1729/E	15	SUPPORT CABLE GLAND	1	1,50 €
1728/E	16	CABLE GLAND	1	1,00 €
1730/E	17	SCREW	2	1,00 €
2012	18	CONDESER	1	42,00 €
1763/E	41	JOINT	1	1,00 €
1791/E	19	TERMINAL	1	1,00 €
1230	20	FRONT FINNED FRAME	2	104,00 €
1307	21	REAR FINNED FRAME	2	130,00 €
1231	22	SIDE SHIELD	4	78,00 €
1235	23	BEARING	4	97,50 €
1310	24	TIE ROD	2	19,50 €
1241	25	NUT	1	1,00 €
1243	26	RING	1	13,00 €
1245	27	FAN	1	39,00 €
1246	28	CLAMP + SCREWS	4	4,50 €
1247	29	FANCAGE	1	45,50 €
1248	30	SCREW	1	1,00 €
1320	31	SINGLE-PHASE COMPLETE SHAFT/ROTOR	1	558,00 €
1330	32	SINGLE-PHASE MOTOR STATOR	1	372,00 €
1340	33	ALTERNATOR	4	333,00 €
1365P	34	FRAME	4	225,00 €
1366	35	VIBRATION	4	5,00 €
1269	36	SCREW	4	2,50 €
1270	37	WASHER	1	1,00 €
1271	38	WASHER GEAR	1	1,00 €
1272	39	NUT	1	1,00 €
70	40	SINGLE-PHASE PLUG	1	20,00 €



PACLITE EQUIPMENT
UNI-Corp Europe



MODEL	DRAWING CODE
FUZ30 - FUZ80	ESP-F30/F80
DESCRIPTION	
HIGH FREQUENCY CONVERTERS	
APPROVED	DATE
	18/03/2014