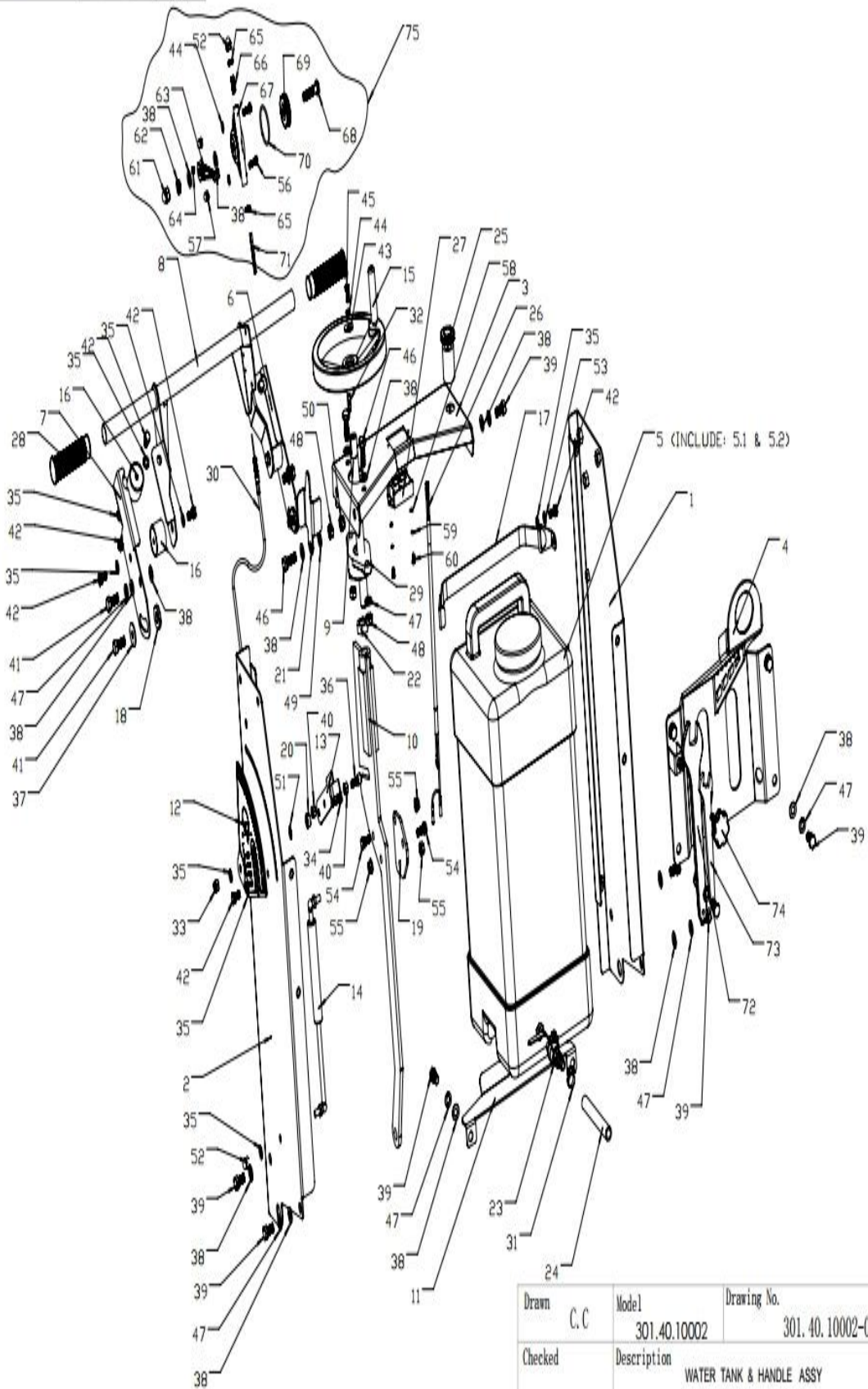


## 301.40.10002-01 WATER TANK & HANDLE ASSY

NO	PART NO	PART DESCRIPTION	QTY	UNIT PRICE (EUR) 2023
01-1	301.40.10002-HCC18-010100	LEFT BEZEL	1	132,36 €
01-2	301.40.10002-HCC18-010200	RIGHT	1	136,04 €
01-3	301.40.10002-HCC18-010300	OPERATION PANEL	1	120,64 €
01-4	301.40.10002-HCC18-010400	BEZEL	1	144,69 €
01-5	301.40.10002-HCC18-010500	WATER TANK	1	148,09 €
5.1	301.40.10002-HCC18-010500-01	TANK CAP	1	25,00 €
5.2	301.40.10002-HCC18-010500-02	TANK	1	149,24 €
01-6	301.40.10002-HCC18-010600	LEFT BRACKET	1	42,80 €
01-7	301.40.10002-HCC18-010700	RIGHT BRACKET	1	40,90 €
01-8	301.40.10002-HCC18-010800	HANDRAIL	1	88,20 €
01-9	301.40.10002-HCC18-010900	SCREW SHAFT	1	104,36 €
01-10	301.40.10002-HCC18-011000	LIFTING FRAME	1	129,60 €
01-11	301.40.10002-HCC18-011100	WATER TANK FRAME	1	156,70 €
01-12	301.40.10002-HCC18-011300	SCALE PLATE	1	96,00 €
01-13	301.40.10002-HCC18-011400	POINTER	1	16,30 €
01-14	301.40.10002-HCC18-011500	Gas Spring	1	61,60 €
01-15	301.40.10002-HCC18-011600	Handwheel	1	102,60 €
01-16	301.40.10002-HCC18-011700	DAMPING BLOCK	4	36,55 €
01-17	301.40.10002-HCC18-011800	TANK STRAPS	1	64,70 €
01-18	301.40.10002-HCC18-011900	GASKET	2	12,85 €
01-19	301.40.10002-HCC18-012000	PLATE	1	16,55 €
01-20	301.40.10002-HCC18-012100	GASKET	1	9,60 €
01-21	301.40.10002-HCC18-012200	STOPPER PLATE	1	16,75 €
01-22	301.40.10002-HCC18-012300	LOCKNUT	1	60,40 €
01-23	301.40.10002-HCC18-012400	VALVE	1	25,10 €
01-24	301.40.10002-HCC16-050304	HOSE	1	0,60 €
01-25	301.40.10002-HCC20A-020210	STOP SWITCH	1	55,40 €
01-26	301.40.10002-HCC20A-021000	WIRE	1	44,85 €
01-27	301.40.10002-HCC20A-020208	TACHOMETER	1	188,69 €
01-28	301.40.10002-HRT168-048354	HANDLE COVER	2	10,25 €
01-29	301.40.10002-W01-UCFL204-G	BEARING	1	81,45 €
01-30	301.40.10002-W06-S04-L800x1000	DRIVE LINE	1	64,50 €
01-31	301.40.10002-CPT90P-070006	Hose Clamp	1	2,40 €
01-32	301.40.10002-Key.C-6x6x22	FLAT KEY	1	8,10 €
01-33	301.40.10002-IN.N-M8-DIN-2	LOCK NUT	1	0,35 €
01-34	301.40.10002-FN.B-M8x30-8.8-DIN-2	BOLT	1	0,45 €
01-35	301.40.10002-FN.W8-DIN-2	WASHER	12	0,35 €
01-36	301.40.10002-HS.B-M8x20-8.8-GB-2	SCREW	1	0,45 €
01-37	301.40.10002-WOD.W10-GB-2	WASHER	2	0,40 €
01-38	301.40.10002-FN.W10-DIN-2	WASHER	24	0,35 €
01-39	301.40.10002-FN.B-M10x20-8.8-DIN-2	BOLT	11	0,45 €
01-40	301.40.10002-FN.N-M8-DIN-2	NUT	2	0,45 €
01-41	301.40.10002-FN.B-M10x25-8.8-DIN-2	BOLT	8	0,50 €
01-42	301.40.10002-FN.B-M8x16-8.8-DIN-2	BOLT	10	0,50 €
01-43	301.40.10002-WOD.W8-GB-2	WASHER	1	0,45 €
01-44	301.40.10002-HSPG.W6-DIN-2	SPRING WASHER,TANG ENDS	3	0,35 €
01-45	301.40.10002-FN.B-M6x16-8.8-DIN-2	BOLT	1	0,45 €
01-46	301.40.10002-FN.B-M10x30-8.8-DIN-2	BOLT	3	0,50 €
01-47	301.40.10002-HSPG.W10-DIN-2	SPRING WASHER,TANG ENDS	15	0,45 €
01-48	301.40.10002-FN.N-M10-DIN-2	NUT	3	0,45 €

01-49	301.40.10002-DSPG.W10-DIN-3	WASHER	1	0,45 €
01-50	301.40.10002-IN.N-M10-DIN-2	LOCK NUT	1	0,45 €
01-51	301.40.10002-DSPG.W8-DIN-3	WASHER	1	0,50 €
01-52	301.40.10002-HC.N-M8-DIN-2	CAP NUT	2	0,50 €
01-53	301.40.10002-HSPG.W8-DIN-2	SPRING WASHER,TANG ENDS	1	0,30 €
01-54	301.40.10002-FN.B-M8x20-8.8-DIN-2	BOLT	2	0,40 €
01-55	301.40.10002-HF.N-M8-DIN-2	FLANGE NUTSF	3	0,45 €
01-56	301.40.10002-FN.B-M6x20-8.8-DIN-2	BOLT	2	0,40 €
01-57	301.40.10002-HC.N-M6-DIN-2	CAP NUT	2	0,40 €
01-58	301.40.10002-FN.W4-DIN-2	WASHER	2	0,45 €
01-59	301.40.10002-SPG.W4-DIN-2	SPRING WASHER	2	0,45 €
01-60	301.40.10002-PAN.S-M4x10-GB-2	PAN HEAD SCREW	2	0,40 €
01-61	301.40.10002-HC.N-M10-DIN-2	CAP NUT	1	0,65 €
01-62	301.40.10002-FNL.N-M10-DIN-2	HEXAGON THIN NUT	1	0,45 €
01-63	301.40.10002-70ND-060000	THROTTLE LEVER	1	35,15 €
01-64	301.40.10002--FHSS.S-M6x8-GB-3	SOCKET SCREW WITH FLAT HEAD	1	3,15 €
01-65	301.40.10002-FNL.N-M8-DIN-2	HEXAGON THIN NUT	2	0,45 €
01-66	301.40.10002-FHSS.S-M8x20-GB-3	SOCKET SCREW WITH FLAT HEAD	1	3,45 €
01-67	301.40.10002-70ND-060001	THROTTLE BODY	1	40,65 €
01-68	301.40.10002-70ND-060003	BOLT	1	16,95 €
01-69	301.40.10002-70ND-060002	THROTTLE GEAR	1	33,85 €
01-70	301.40.10002-W04-45x3	O-RING	1	6,25 €
01-71	301.40.10002-70ND-060004	SLIDER	1	10,15 €
01-72	301.40.10002-20A-021200	SPANNER	1	77,30 €
01-73	301.40.10002-HCC18-012500	SPANNER	1	
01-74	301.40.10002-StarH-M8x30	STAR GRIP KNOB	1	0,75 €
01-75	301.40.10002-70ND-010018	THROTTLE LEVER ASSY	1	108,48 €

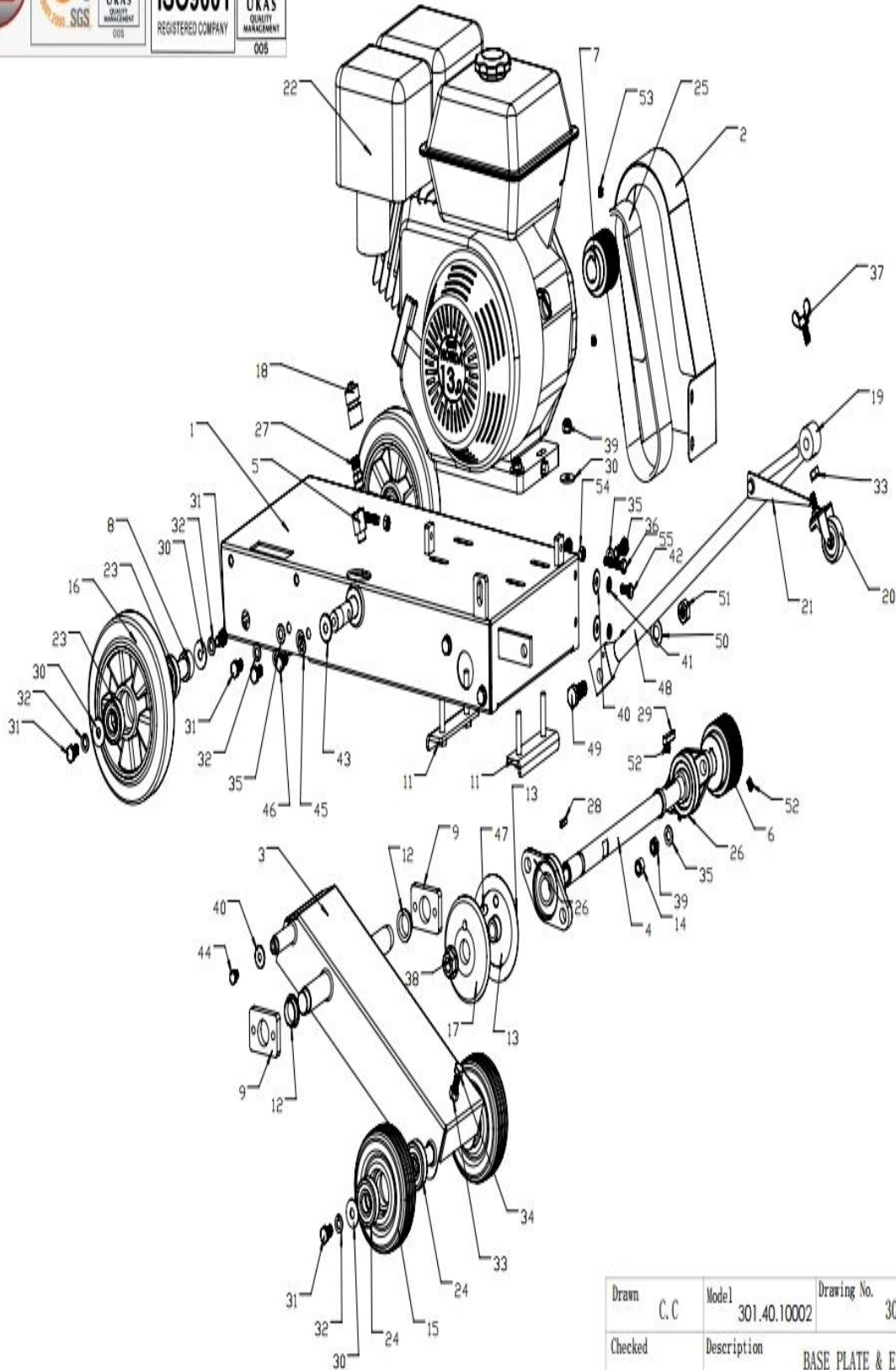


Drawn	C. C	Model	301.40.10002	Drawing No.	301.40.10002-01
Checked		Description	WATER TANK & HANDLE ASSY		
Approved		Date	2015.10.26		

## 301.40.10002-02-B BASE PLATE & ENGINE ASSY

NO	PART NO.	PART DESCRIPTION	QTY	UNIT PRICE (EUR) 2023
02-1	301.40.10002-HCC18-020100	ENGNIE BASE	1	219,48 €
02-2	301.40.10002-HCC18-020201	BELT COVER	1	167,90 €
02-3	301.40.10002-HCC18-020300	WHEEL BRACKET	1	188,41 €
02-4	301.40.10002-HCC18-020400	BLADE SHAFT	1	154,32 €
02-5	301.40.10002-HCC18-020500	CHANGE FITTINGS	1	96,85 €
02-6	301.40.10002-HCC18-020600	DRIVEN PULLEY	1	139,46 €
02-7	301.40.10002-HCC18-020700	P.T.O PULLEY	1	177,42 €
02-8	301.40.10002-HCC18-020800	WHEEL AXIS	2	111,36 €
02-9	301.40.10002-HCC18-020900	SUPPORTS	2	36,45 €
02-11	301.40.10002-HCC18-021100	FIXING PLATES	2	60,65 €
02-12	301.40.10002-HCC18-021300	FLANGE BEARINGS	2	35,30 €
02-13	301.40.10002-HCC18-021400	BLADE FIXER	1	88,84 €
02-14	301.40.10002-HCC18-021500	FIXED SET	4	31,60 €
02-15	301.40.10002-HCC20-050400	FRONT WHEEL	2	119,60 €
02-16	301.40.10002-HCC20A-010500	REAR WHEEL	2	148,09 €
02-17	301.40.10002-HCC20A-010411	BLADE FIXER	1	88,84 €
02-18	301.40.10002-HCC20A-030412	SPDDE TIE-IN	1	30,85 €
02-19	301.40.10002-HCC20-010100	LEADING POLE	1	105,80 €
02-20	301.40.10002-HCC20-010006	MYRIAD WHEEL	1	44,85 €
02-21	301.40.10002-HCC20-010200	POINTER	1	3,95 €
02-22	301.40.10002-W05-GX390-S	ENGINE	1	
02-23	301.40.10002-W01-6204ZZ-G	BEARING	4	8,90 €
02-24	301.40.10002-W01-6304ZZ-G	BEARING	4	12,80 €
02-25	301.40.10002-W02-12PK633	BELT	1	56,40 €
02-26	301.40.10002-W01-UCFL205-J	BEARING	2	164,29 €
02-27	301.40.10002-KSJT-G3 / 8-16	HOSE NIPPLE	1	29,85 €
02-28	301.40.10002-Key.A-5x5x22	KEY	1	6,35 €
02-29	301.40.10002-Key.A-8x7x40	KEY	1	10,80 €
02-30	301.40.10002-WOD.W10-GB-2	WASHER	10	0,40 €
02-31	301.40.10002-FN.B-M10x20-8.8-DIN-2	BOLT	10	0,45 €
02-32	301.40.10002-HSPG.W10-DIN-2	SPRING WASHER,TANG ENDS	10	0,45 €
02-33	301.40.10002-FN.N-M10-DIN-2	NUT	2	0,45 €
02-34	301.40.10002-FN.B-M10x50-8.8-DIN-2	BOLT	1	0,65 €
02-35	301.40.10002-FN.W10-DIN-2	WASHER	12	0,35 €
02-36	301.40.10002-FN.B-M10x30-8.8-DIN-2	BOLT	4	0,50 €
02-37	301.40.10002-WNG.B-M10x20	BUTTERFLY BOLT	1	1,15 €
02-38	301.40.10002-HF.N-M16L-DIN-3	HEXAGON FLANGE NUT	1	1,70 €
02-39	301.40.10002-IN.N-M10-DIN-2	LOCK NUT	8	0,45 €
02-40	301.40.10002-WOD.W8-GB-2	WASHER	4	0,45 €
02-41	301.40.10002-HSPG.W8-DIN-2	SPRING WASHER,TANG ENDS	3	0,30 €
02-42	301.40.10002-FN.B-M8x20-8.8-DIN-2	BOLT	3	0,40 €
02-43	301.40.10002-WOD.W10-GB-1	WASHER	1	0,40 €
02-44	301.40.10002-FN.B-M8x12-8.8-DIN-2	BOLT	1	0,45 €
02-45	301.40.10002-HSPG.W10-DIN-1	SPRING WASHER,TANG ENDS	1	0,45 €
02-46	301.40.10002-FN.B-M10x20-8.8-DIN-1	BOLT	1	0,45 €
02-47	301.40.10002-ST.PIN-10x30	Cylindrical pin	1	0,90 €
02-48	301.40.10002-SC.PIN-5x20-GB-3	SPRING PIN	1	0,85 €
02-49	301.40.10002-FN.B-M14x40-8.8-DIN-2	BOLT	1	0,75 €
02-50	301.40.10002-FN.W14-DIN-2	WASHER	1	0,65 €

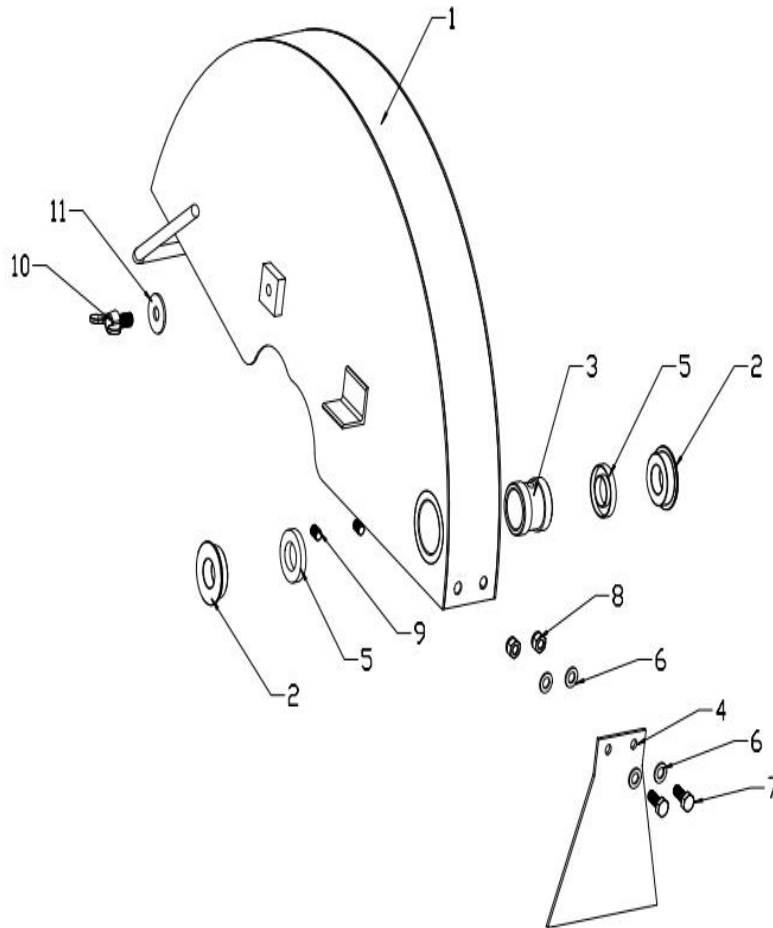
02-51	301.40.10002-FN.N-M14-DIN-2	NUT	1	0,60 €
02-52	301.40.10002-FHSS.S-M8x12-GB-3	GRUB SCREW	2	0,50 €
02-53	301.40.10002-FHSS.S-M8x8-GB-3	GRUB SCREW	2	0,45 €
02-54	301.40.10002-FN.N-M8-DIN-2	NUT	2	0,45 €
02-55	301.40.10002-FN.B-M8x45-8.8-DIN-2	BOLT	2	0,45 €



Drawn	C. C	Model	301.40.10002	Drawing No.	301.40.10002-02-B
Checked		Description	BASE PLATE & ENGINE ASSY		
Approved		Date	2015.10.27		

## 301.40.10002-03 BLADE COVER ASSY

NO	PART NO.	PART DESCRIPTION	QTY	UNIT PRICE (EUR) 2023
03-1	301.40.10002-HCC18-030100	BLADE COVER	1	180,88 €
03-2	301.40.10002-HCC18-030200	COPPER SETS	2	57,85 €
03-3	301.40.10002-HCC18-030300	SPACER	1	32,00 €
03-4	301.40.10002-HCC16-000005	DUST JACKET	1	10,15 €
03-5	301.40.10002-W03-40x22x7	OIL SEAL	2	6,35 €
03-6	301.40.10002-FN.W8-DIN-2	WASHER	4	0,35 €
03-7	301.40.10002-FN.B-M8x20-8.8-DIN-2	BOLT	2	0,40 €
03-8	301.40.10002-IN.N-M8-DIN-2	LOCK NUT	2	0,35 €
03-9	301.40.10002-FHSS.S-M8x12-GB-3	GRUB SCREW	2	0,50 €
03-10	301.40.10002-HCC18-WNG.B-M10x20	BUTTERFLY BOLT	1	4,50 €
03-11	301.40.10002-WOD.W10-GB-2	LARGE WASHER	1	0,40 €



Drawn	C. C	Model	301.40.10002	Drawing No.	301.40.10002-03
Checked		Description	BLADE COVER ASSY		
Approved		Date	2015.10.27		