

Tower light with vertical mast

PACLITE offers this model with powerful lighting. Four 1000w Metal Halide bulbs that provide a total lighting power of 360,000 lumens. These projector lamps can perform for up to 10,000 hours of use.

The PL4000W is manufactured with the highest quality components and finish; compact design, safe, efficient and high-performance. The unit offers a wider area of illumination and greater fuel economy. Pac-Light has whisper quiet noise levels (just 63 dBA at 7 m) and a large fuel tank, which makes it ideally suited for outdoor events.

The Pac-Light is perfect for providing static lighting needed in the following applications : construction, rental companies, construction of mining infrastructure, large-scale projects, outdoor events.

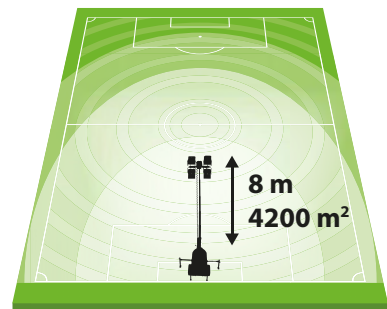
Powered by highly reliable KOHLER or RAYWIN diesel engines and MeccAlte alternator.

This mechanical model is equipped with a manual winch and telescopic mast which enable a compact design and economy.

FEATURES AND BENEFITS

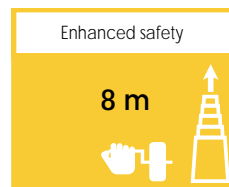
- Extraordinary product finish with carbon and steel fibre canopy, reducing the overall machine weight.
- High quality European components.
- Four projector lights from GVISS.
- Compact design and strong tow frame.
- Low noise Lombardini water cooled engine. Large back hood with fan provide spacious exhaust for heat.
- One extra socket allows the use of power tools or to connect additional lights.
- Two height adjustable galvanized stabilizers ensure stability of the machine and can withstand up to 80 km/h wind with the mast fully assembled.
- Adjustable jacks balance the machine on rough terrain precisely to 180° against the ground.
- Electrical coiled cable.
- The machine is equipped with forklift pockets and lifting hooks for easy loading for transport.

ILLUMINATED AREA



Projectors manufactured in Italy by

Professional's choice



Telescopic vertical mast



Hour meter



Forklift pockets and lifting hooks for easy loading for transport



Control box with one power outlet socket CE

Construction, rental companies, infrastructure & mining

Code	PL4000W-50HZ	PL4000W-60Hz	PL4000-60HZ RW
Modell	PL4000 KOHLER		PL4000 RAYWIN DIESEL
STRUCTURE			
Maximum height (m)	8		8
Raising	Manual		Manual
Rotation Section (°)	340		340
Total lumen (lm)	360000		360000
Illuminated areas (m ²)	4200		4200
Maximum wind stability (km/h)	110		110
Minimum dimension L x W x H (mm)	2650 x 1300 x 2460		2650 x 1300 x 2460
Maximum dimension L x W x H (mm)	2650 x 2460 x 8000		2650 x 2460 x 8000
Operation weight (kg)	900		920
ENGINE			
Engine	KOHLER LDW 1003	RAYWIN 3D11G1/A	
Outlet socket (kVA/V/Hz)	1/220/50 – 1/240/60		1/220/50 – 1/240/60
Number of cylinders	3		3
Displacement	1028 cc		1011
Power hp (kW)	17 (12,5)		15,8 (11)
Cooling	Water		Water
Engine rotation speed at 50/60Hz (rpm)	1500		1800
Fuel	Diesel		Diesel
Starting system	Electric		Electric 12 V 1,2 kW
Oil sump capacity (L)	2,4		2,4
Fuel tank capacity (L)	80		80
Duration (h)	54		54
Consumption (g/kWh)	263		255
Noise level (Lwa)	67		62
Battery (Ah)	12 V (55)		12 V (55)
GENERATOR			
Single phase voltage Mecc Alte (kVA-V)	10 kVA-240 V		10 kVA-240 V
Frequency (Hz)	50 - 60		50 - 60
Power factor (Cosφ)	0,8		0,8
Mechanical protection	IP 21		IP 21
LAMP			
Type of light	Metal halide floodlight		Metal halide floodlight
Number & power of light	4 x 1000 W		4 x 1000 W
Degree of protection	IP 66		IP 66
Body construction material	Die-cast aluminium		Die-cast aluminium
Lamp holder construction material	Ceramic		Ceramic
Reflector	Polished and anodized aluminium 99,85		Polished & anodized aluminium 99,85
Cable gland	Stainless steel		Stainless steel
Optical case opening system	Stainless steel clips		Stainless steel clips
Dimensions L x H x D (mm)	404 x 260 x 328		404 x 260 x 328

Certified power SAE J 1349



Lifting points



Easy opening rear hood



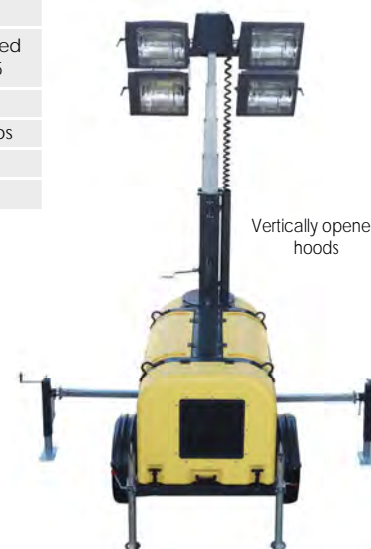
Level measuring to the ground



OPTIONS		
Code	PL-PIC	CAB T3
Model	Lightning rod 2 m	Ground cable

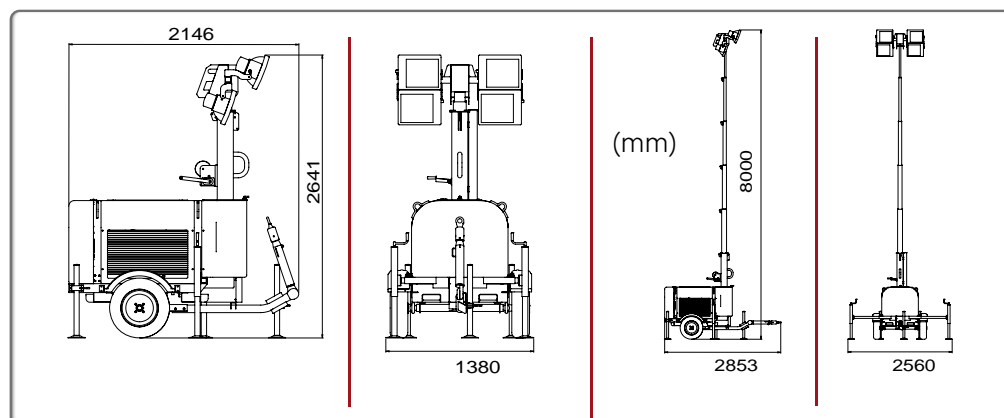
KOHLER

RAYWIN



Vertically opened hoods

Adjustable feet in width and position adapting to the ground



COMPACTON

MOBILE EQUIPMENT

CONCRETE EQUIPMENT

SURFACING

CUTTING - GRINDING