

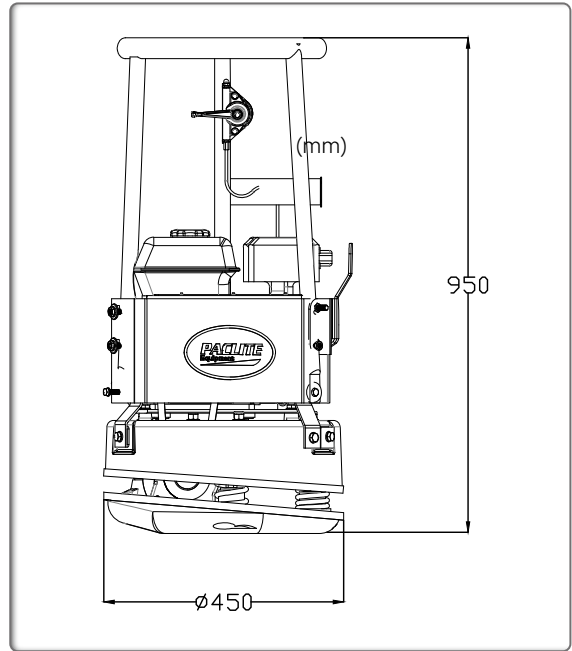
The world's best trench plate

PX91 vibratory plate compactor features a unique round base that allows flush compaction next to posts, pillars, guardrails, manholes, drainage inlets and foundations.

The design of PX91 makes it easy to manoeuvre around obstacles.

FEATURES AND BENEFITS

- Improved centrifugal clutch.
- Base plate made of hardened ductile steel, type GGG500.
- Oversized heavy duty throttle cable adapted for tough applications.
- Increased vibration frequency, faster and stable.
- Durable epoxy painted surface.



POWERED BY
HONDA

TÜVRheinland



Code	PX91
Model	PX91
Operating mass (kg)	96
Centrifugal force (kN)	15
Plate diameter (mm)	450
Engine	Honda GX160
Net power hp (kW)	4,8 (3,6)
Rated engine speed (rpm)	3600
Fuel tank capacity (L)	3,1
Engine oil capacity (L)	0,6
Fuel consumption at rated power (L/h - rpm)	1,4 - 3600
Speed (m/min)	22
Amplitude (mm)	0,97
Frequency (Hz)	95
Sound pressure level dB (A)	89
Vibrations* (m/s ²)	3,5
*Minimum vibration levels measured to EN500-4	
Certified power SAE J 1349	



Protective frame



Centrally placed throttle



Extended safety cover



Mounted in large series