



AIR-POWERED CONCRETE VIBRATORS



Operator's Manual

Spare Parts

VP25/35/45/55/65/75

Table of Contents

1. Safety Information	2
2. General Maintenance	3
3. Dismantling and Re-assembly Instructions	4
4. SPARE PARTS	5--6
5. HAV28 Parts LIST	7--8
5. HAV35 Parts LIST	9--10
6. HAV45 Parts LIST	11--12
7. HAV55 Parts LIST	13--14
8. HAV65 Parts LIST	15--16
9. HAV75 Parts LIST	17--18
10. Technical Data	19

1. Safety Information.

Sound and Vibration readings taken 1 metre from the poker head
Air Consumption established with supplied pressure of 6 bar

IMPORTANT NOTICE

Vibrators and vibrating equipment can be dangerous if not used correctly.

1. **DO NOT** hold steel vibrating heads when running.
2. **DO NOT** stand or sit on vibratory equipment when running.
3. **USE ONLY** for the purpose intended.
4. **USE ONLY** when pneumatic hoses and fittings are securely tightened.
5. **ALWAYS** wear ear protectors.

For your personal protection and safety of others around you on site, please read and ensure you fully understand the following safety information. It is the responsibility of the operator to fully understand how to operate this equipment safely. If you are not sure consult your supervisor.

Points to remember are:

1. Keep unauthorised personnel at a safe distance from the work area.
2. Personal Protective Equipment (PPE) must be worn by the operator whenever this equipment is being used, i.e. Safety goggles, gloves, ear defenders, dust mask and steel toe capped footwear. Always protect skin from contact with concrete.
3. Ensure that the compressor does not exceed 90 psi.



ATTENTION Never use a high pressure compressor.

4. Never dismantle or tamper with any seals or covers fitted. Always check the vibrator thoroughly before use for condition and safety. If any parts are damaged or missing do not use the vibrator until it is repaired or replaced.
5. The air supply must be switched off before any work is carried out on the vibrator. To prevent accidental starting of the vibrator, it must be disconnected from the air supply.
6. The vibrator should never be left running out of concrete as it will become extremely hot and internal parts will be damaged. Caution must be exercised when touching the vibrator head.
7. When the vibrator is not used for long periods of time, store it in a clean, dry and protected environment.

It must be hung up with the head upwards and the control handle open to allow moisture etc. to escape from the vibrator.

8. Some vibration from vibrator is transmitted through the flexible hose to the operator's hands. The hose should not be held within 1 metre from the head of the vibrator at any time. Operational exposure time may need limiting if fingers become affected.
9. Do not operate the vibrator when you are feeling unwell, tired or when under the influence of alcohol or drugs.

2. General Maintenance



WARNING

1. Vibrators are delivered without lubrication. Ensure to add oil before starting the vibrator.
2. Before connecting the vibrator, ensure the air line is clean from any water or dirt it may contain.
3. Refill lubricator after every four hours of use with 20/30 S.E.A. non-detergent oil.
4. To start the vibrator it may be necessary to tap the vibrator's hardened nosepiece onto a firm surface.
5. After use, hang the vibrator with the head upwards and leave the control handle open to drain out of any water or dirt.

3. Dismantling and Re-assembly Instructions

1. Replacement of Vane and Rotor

Hold housing (4) in a vice and unscrew nosepiece (1A) - right-hand thread. Remove from the vice and by angling downwards the rotor is free to drop into the hand ensuring not to cause damage. The parts should be cleaned and examined. If the nosepiece shows signs of excessive wear, then it should be replaced (see point 4). Vanes must be a snug sliding fit in the rotor and fitted so that the vane cuts-out face away from the milled slot in the rotor. Adjust length of vane to 0.1 - 0.15mm shorter than the rotor.

Re-assembly is opposite to the above, but the following should be observed:

1. Lightly oil running faces of the rotor.
2. Insert rotor so that the exhaust holes are in opposite end to the nosepiece.
3. Fit a new 'O' ring or fibre washer (2) onto the nosepiece (1A).

Note

Some models (V665-V6105) have nosepieces (1) and separate front closure plates (3). Dismantling is similar to the above and these two parts are available as spares.

2. Removal of Rear Body, Rear Closure Plate and Hoses

Cut exhaust hose clip (16), pull off exhaust hose (15) from exhaust body (17). Unscrew exhaust body (17) from lubricator/handle (39/30), then pull out handle to expose hose clip (10). Cut hose clip (10) to release inlet hose (11) from the handle. Hold housing (4) in a vice and unscrew rear body (12) - left-hand thread, removing complete with exhaust hose (15). If the hose is to be replaced then unscrew hose sleeve (13), pull out hose (15) from rear body (12) and remove hose protection spring (14) - only on models V675 - V6105. Using inlet hose (11) pull out rear closure plate (7), locking ring (8) and inlet hose connector (9). All parts should be cleaned and the rear closure plate (7) examined for signs of wear (see point 4).

3. Re-assembly

Rear closure plate (7), inlet hose fitting (9) and inlet hose (11) should be inserted into the housing as an assembly, ensuring that the plate is kept square to the housing (4) and pushed onto the housing shoulder. Slide new locking ring (8) over inlet hose (11) and locate behind rear closure plate (7). If necessary, fix exhaust hose (15) into rear body (12), insert hose protection spring (14) - only models V675 - V6105, and clamp with hose sleeve (13). The assembly can then be screwed onto the housing (4) ensuring that a new 'O' ring or

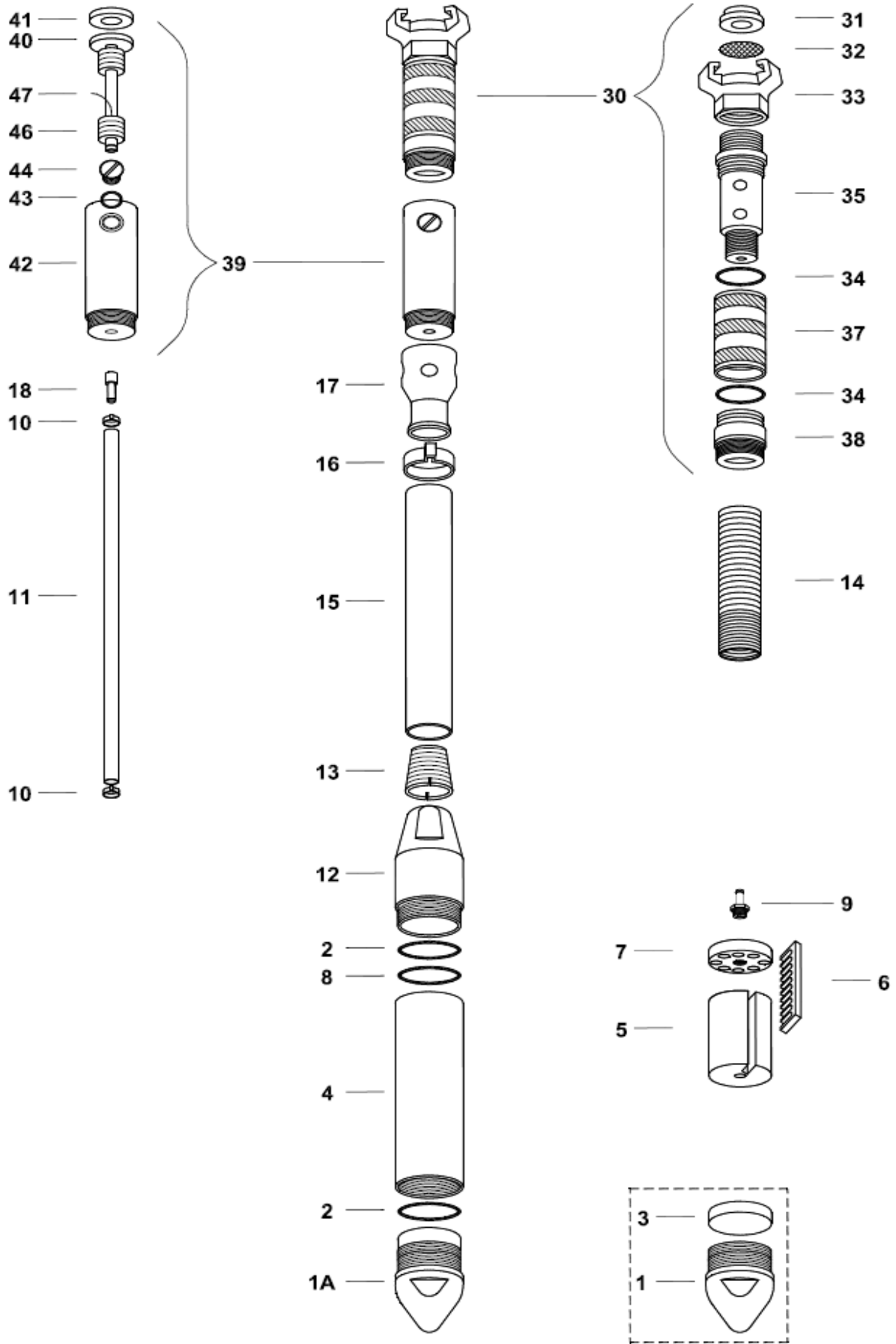
fibre washer (2) is fitted. Adjust hose lengths so that the inlet hose (11) protrudes approximately 65mm from the exhaust hose (15). Slide new clips (10 & 16) onto respective hoses (11 & 15). Pass inlet hose (11) through exhaust body (17) and fit onto inlet hose connector (18) using hose clip (10). Screw exhaust body (17) onto control handle (30). Push exhaust hose (15) onto exhaust body (17) and fit hose clip (16).

4. Wear Criterion

The optimum condition of the vibrator turbine assembly to produce maximum speed and therefore power is determined by the total air gap of the rotor. Ideally this should be between 0.06 - 0.13mm and a total gap greater than 0.20mm greatly impairs the performance. The length of the rotor is 129.00 - 129.02mm when assembled at the factory and if worn below 128.70mm, it should be replaced.

4. MODEL : V 628, 635, 645, 655, 665, 675

PARTS








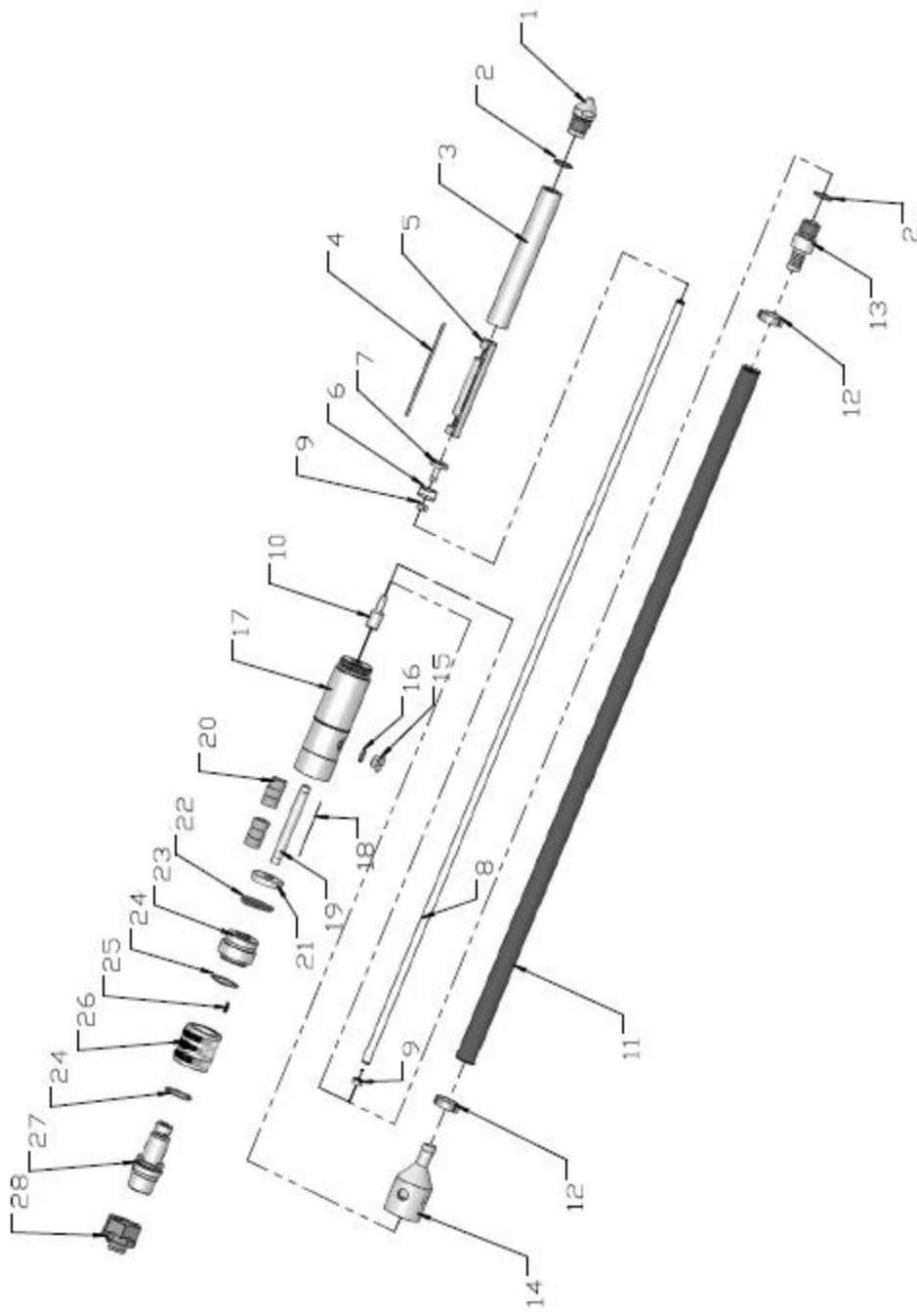
Spare Parts

Ref.	Description	Qty.	V628	V635	V645	V655	V665	V675		
1	Nosepiece	1	-	-	-	-	16265	3551		
1A	* 1part Nosepiece / FC plate	1	16310	16206	16216	16227	-	-		
2	* 'O' Ring	2	16314	779	1808	2126	16268	2330		
3	* Front Closure Plate	1	-	-	-	-	16260	16230		
4	Housing	1	16301	16201	16211	16221	16261	16231		
5	Rotor	1	16302	16202	16212	16222	16262	16232		
6	* Vane	1	16303	16203	16213	16223	16263	16233		
7	* Rear Closure Plate	1	16304	16204	16214	16224	16264	16234		
8	* Locking Ring	1	16307	16134	7704	7663	16267	7688		
9	Inlet Hose Connector	1	-	-	5521	16225	16225	16235		
10	Inlet Hose Clip	2	16313	137	137	5456	5456	5211		
11	* Inlet Hose	1	46073	788	788	1583	1583	540		
12	Rear Body	1	16306	2622	7701	1576	16266	3553		
13	Hose Sleeve	1	-	2623	1730	1582	1582	1604		
14	Hose Protection Spring	1	-	-	-	-	-	1479		
15	Exhaust Hose	1	171	2021	7985	1584	1584	541		
16	* Exhaust Hose Clip	1	Bandit	3679	2392	75	75	76		
17	Exhaust Body	1	16040	10225	10224	10223	10223	10222		
18	Inlet Hose Connector	1	16311	10588	10588	10221	10221	10219		
30	Steel Handle Complete	1	16120	16120	16120	16120	16120	16120		
31	* Rubber Gland	1	81	81	81	81	81	81		
32	* Gauze Filter	1	156	156	156	156	156	156		
33	Q / R Coupling	1	2512	2512	2512	2512	2512	2512		
34	* 'O' Ring	2	2273	2273	2273	2273	2273	2273		
35	Handle Shaft	1	2261	2261	2261	2261	2261	2261		
37	Twist Grip	1	2260	2260	2260	2260	2260	2260		
38	Adaptor	1	16042	16042	16042	16042	16042	16042		
39	Lubricator Complete	1	10270	10270	10270	10270	10270	10270		
40	Lubricator Tube	1	10289	10289	10289	10289	10289	10289		
41	'O' Ring	1	10273	10273	10273	10273	10273	10273		
42	Lubricator Body	1	10271	10271	10271	10271	10271	10271		
43	'O' Ring	1	2524	2524	2524	2524	2524	2524		
44	Oil Filler Screw	1	2265	2265	2265	2265	2265	2265		
46	Felt	9	2520	2520	2520	2520	2520	2520		
47	Bleed Wire	1	2521	2521	2521	2521	2521	2521		
Opt.	Rubber Nosepieces	1	-	16208	16218	16229	19145	3611	-	-

* Most frequently needed parts

5. Parts List :HAV25



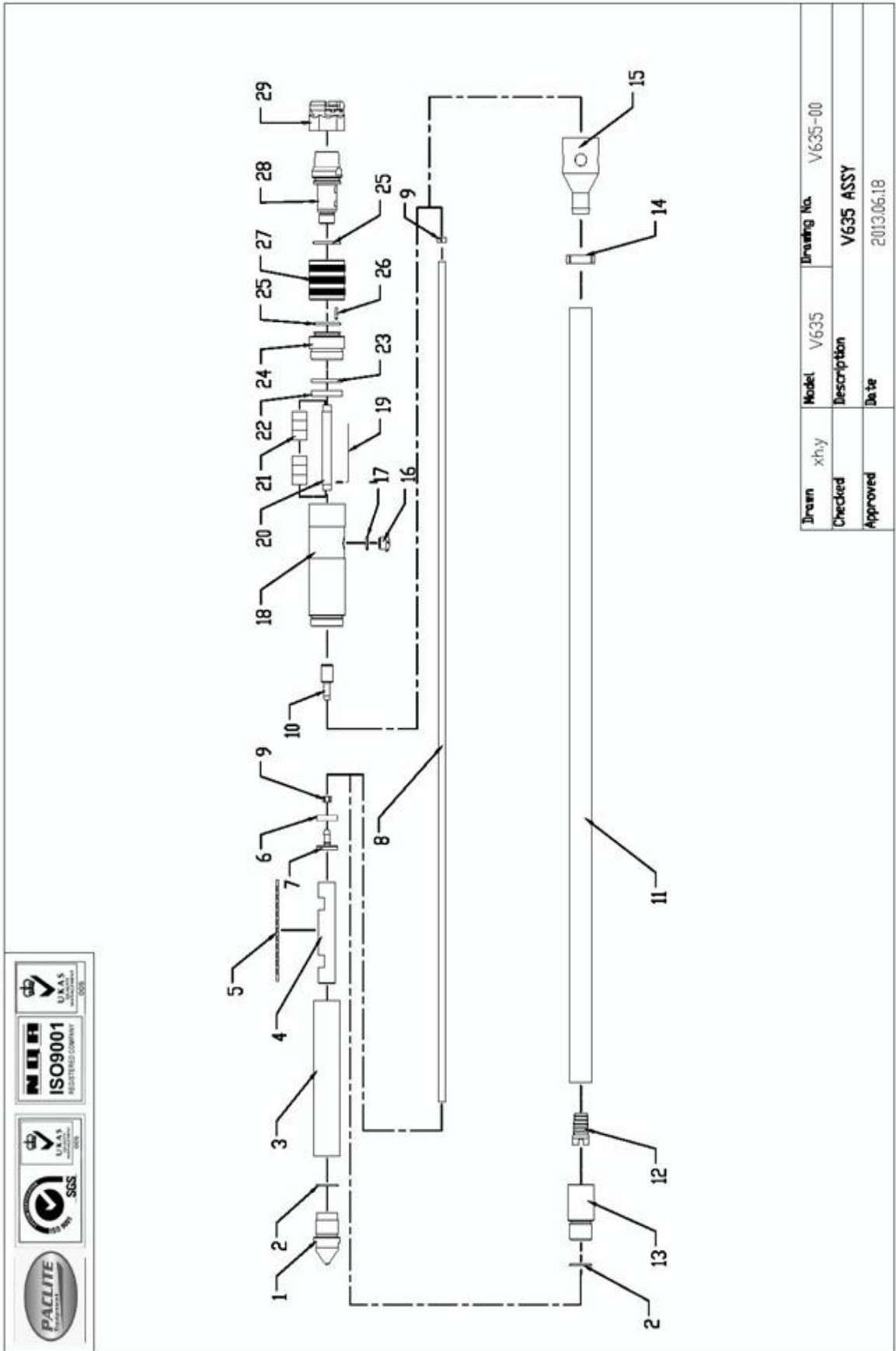
Drawn	WLJ	Model	VP25	Drawing No.	103.27.00001
Checked		Description	PNEUMATIC POKERS VIBRATOR (28mm) ASSY		
Approved		Date	2014.01.06		

Parts List:HAV25

V628 PNEUMATIC POKERS VIBRATOR ASSY (Ø28MM)

NO.	PART NO.	PART DESCRIPTION	MATERIAL SPECIFICATION	QTY	REMARKS
1	V62816310	VIBRATOR HEAD	42CrMo	1	
2	V628-W04-21×2.4	O-RING	21×2.4	2	
3	V62816301	VIBRATOR BODY	45#	1	
4	V63516203	VANE	3mm	1	
5	V62816302	VIBRATOR SHAFT	45#	1	
6	V62816307	LOCKING RING		1	
7	V62816304	INLET HOSE CONNECTOR	42CrMo	1	
8	V635788	INLET HOSE	10x4M	1	1.2mm
9	V635137	INLET HOSE CLIP	10--12	2	
10	V63510588	INLET HOSE CONNECTOR	Q235	1	
11	V628171	FLEXIBLE HOSE	25x4M	1	5mm
12	V6281625	EXHAUST HOSE CLIP	25--28	2	
13	V62816306	HOSE JOINT	20#	1	
14	V62816040	EXHAUST BODY	6061-T6	1	
15	V6552265	OIL FILLER SCREW	6061-T6	1	
16	V628-W04-14x2	O-RING	14x2	1	
17	V65510271	LUBRICATOR BODY	6061-T6	1	
18	V6552521	BLEED WIRE	Ø0.3mm	1	80mm
19	V65510289	LUBRICATOR TUBE	6061-T6	1	
20	V6552520	FELT	20x12	9	3.5mm
21	V65510273	WASHER	NYLON	1	
22	V628-W04-33x5	O-RING	33x5	1	
23	V65516042	ADAPTOR	6061-T6	1	
24	V628-W04-32x2	O-RING	32x2	2	
25	V628-SC.PIN-4x10	SC.PIN	4x10	1	
26	V6552260	TWIST GRIP	6061-T6	1	
27	V6552261	HANDLE SHAFT	45#	1	
28	V6552512	Q/R COUPLING	ZG45	1	PT1

6. Parts List:HAV35



Drawn	xhy	Model	V635	Drawing No.	V635-00
Checked		Description	V635 ASSY		
Approved		Date	2013.06.18		

Parts List:HAV35

V635 PNEUMATIC POKERS VIBRATOR ASSY (Ø35MM)

NO.	PART NO.	PART DESCRIPTION	MATERIAL SPECIFICATION	QTY	REMARKS
00-1	V63516206	VIBRATOR HEAD	42CrMo	1	
00-2	V635-W04-26x2	O-RING	26x2	2	
00-3	V63516201	VIBRATOR BODY	45#	1	
00-4	V63516203	VANE	3mm	1	
00-5	V63516202	VIBRATOR SHAFT	45#	1	
00-6	V63516134	LOCKING RING		1	
00-7	V63516204	INLET HOSE CONNECTOR	42CrMo	1	
00-8	V635788	INLET HOSE	10x4M	1	1.2mm
00-9	V635137	INLET HOSE CLIP	10--12	2	
00-10	V63510588	INLET HOSE CONNECTOR	Q235	1	
00-11	V6352021	FLEXIBLE HOSE	30x4M	1	5mm
00-12	V6352623	HOSE SLEEVE	6061-T6	1	
00-13	V6352622	HOSE JOINT	20#	1	
00-14	V6353679	EXHAUST HOSE CLIP	29--32	1	
00-15	V63510225	EXHAUST BODY	6061-T6	1	
00-16	V6552265	OIL FILLER SCREW	6061-T6	1	
00-17	V635-W04-14x2	O-RING	14x2	1	
00-18	V65510271	LUBRICATOR BODY	6061-T6	1	
00-19	V6552521	BLEED WIRE	Ø0.3mm	1	80mm
00-20	V65510289	LUBRICATOR TUBE	6061-T6	1	
00-21	V6552520	FELT	20x12	9	3.5mm
00-22	V65510273	WASHER	NYLON	1	
00-23	V635-W04-33x5	O-RING	33x5	1	
00-24	V65516042	ADAPTOR	6061-T6	1	
00-25	V635-W04-32x2	O-RING	32x2	2	
00-26	V635-SC.PIN-4x10	SC.PIN	4x10	1	
00-27	V6552260	TWIST GRIP	6061-T6	1	
00-28	V6552261	HANDLE SHAFT	45#	1	
00-29	V6552512	Q/R COUPLING	ZG45	1	PT1

7. Parts List:HAV45

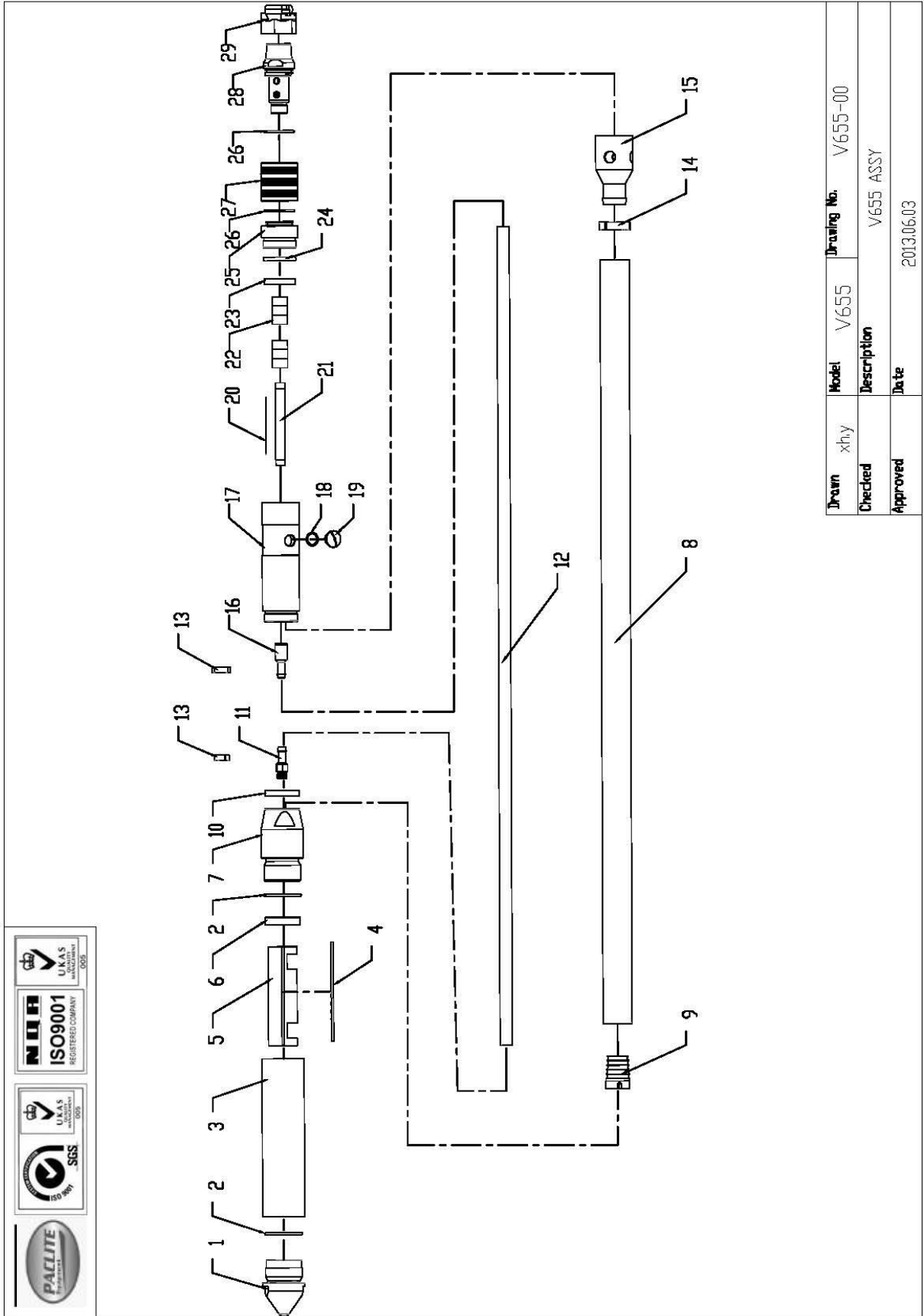
Drawn	WLJ	Model	V645	Drawing No.	V645
Checked		Description	PNEUMATIC POKERS VIBRATOR (45mm)		
Approved		Date	2014.01.07		

Parts List:HAV45

V645 PNEUMATIC POKERS VIBRATOR ASSY (Ø45MM)

NO.	PART NO.	PART DESCRIPTION	MATERIAL SPECIFICATION	QTY	REMARKS
1	V64516216	VIBRATOR HEAD	42CrMo	1	
2	V645-W04-37x2	O-RING	37x2	2	
3	V64516211	VIBRATOR BODY	45#	1	
4	V65516223	VANE	3mm	1	
5	V64516212	VIBRATOR SHAFT	45#	1	
6	V64516214	REAR CLOSURE PLATE	42CrMo	1	
7	V6457704	LOCKING RING		1	
8	V6457701	HOSE JOINT	20#	1	
9	V65516225	INLET HOSE CONNECTOR	Q235	1	
10	V6551582	HOSE SLEEVE	6061-T6	1	
11	V6551584	FLEXIBLE HOSE	38x4M	1	5mm
12	V600075	EXHAUST HOSE CLIP	38--41	1	
13	V65510223	EXHAUST BODY	6061-T6	1	
14	V6551583	INLET HOSE	17x4M	1	3.5mm
15	V6555456	INLET HOSE CLIP	17--19	2	
16	V65510221	INLET HOSE CONNECTOR	Q235	1	
17	V65510271	LUBRICATOR BODY	6061-T6	1	
18	V645-W04-14x2	O-RING	14x2	1	
19	V6552265	OIL FILLER SCREW	6061-T6	1	
20	V65510289	LUBRICATOR TUBE	6061-T6	1	
21	V6552521	BLEED WIRE	Ø0.3mm	1	80mm
22	V6552520	FELT	20x12	9	
23	V65510273	WASHER	尼龙 66	1	
24	V645-W04-33x5	O-RING	33x5	1	
25	V65516042	ADAPTOR	6061-T6	1	
26	V645-W04-32x2	O-RING	32x2	2	
27	V6552260	TWIST GRIP	6061-T6	1	
28	V645-SC.PIN-4x10	SC.PIN	4x10	1	
29	V6552261	HANDLE SHAFT	45#	1	
30	V6552512	Q/R COUPLING	ZG45	1	1"

7. Parts List:HAV55

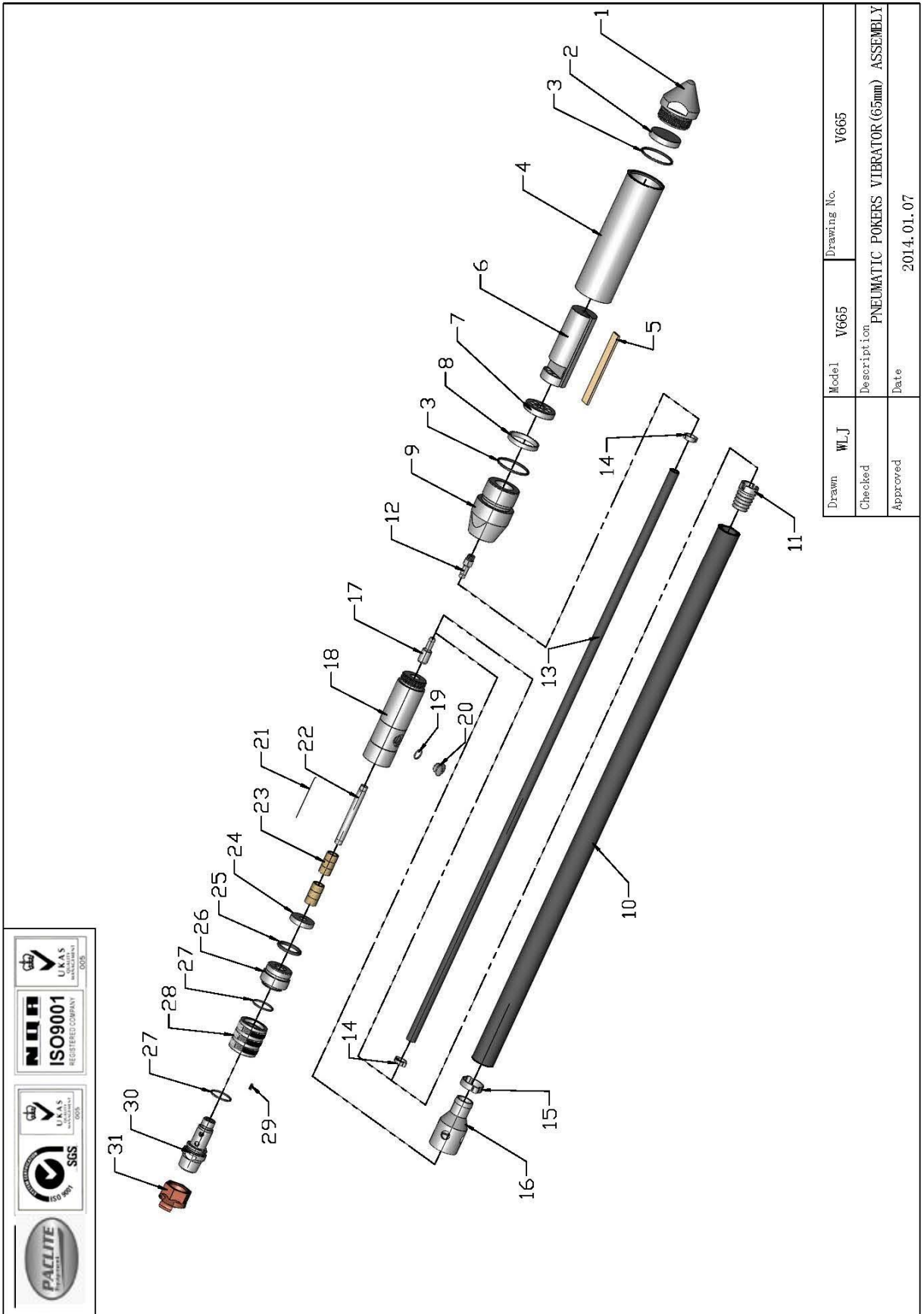


Parts List:HAV55

V655 PNEUMATIC POKERS VIBRATOR ASSY (Ø55MM)

NO.	PART NO.	PART DESCRIPTION	MATERIAL SPECIFICATION	QTY	REMARKS
00-1	V65516227	VIBRATOR HEAD	42CrMo	1	
00-2	V655-W04-42x3.6	O-RING	42x3.6	2	
00-3	V65516221	VIBRATOR BODY	45#	1	
00-4	V65516223	VANE	3mm	1	
00-5	V65516222	VIBRATOR SHAFT	45#	1	
00-6	V6557663	LOCKING RING		1	
00-7	V6551576	HOSE JOINT	20#	1	
00-8	V6551584	FLEXIBLE HOSE	38x4M	1	5mm
00-9	V6551582	HOSE SLEEVE	6061-T6	1	
00-10	V65516224	REAR CLOSURE PLATE	42CrMo	1	
00-11	V65516225	INLET HOSE CONNECTOR	Q235	1	
00-12	V6551583	INLET HOSE	17x4M	1	3.5mm
00-13	V6555456	INLET HOSE CLIP	17--19	2	
00-14	V600075	EXHAUST HOSE CLIP	38--41	1	
00-15	V65510223	EXHAUST BODY	6061-T6	1	
00-16	V65510221	INLET HOSE CONNECTOR	Q235	1	
00-17	V65510271	LUBRICATOR BODY	6061-T6	1	
00-18	V655-W04-14x2	O-RING	14x2	1	
00-19	V6552265	OIL FILLER SCREW	6061-T6	1	
00-20	V6552521	BLEED WIRE (排丝)	Ø0.3mm	1	80mm
00-21	V65510289	LUBRICATOR TUBE	6061-T6	1	
00-22	V6552520	FELT	20x12	9	3.5mm
00-23	V65510273	WASHER	nylon	1	
00-24	V655-W04-33x5	O-RING	33x5	1	
00-25	V65516042	ADAPTOR	6061-T6	1	
00-26	V655-W04-32x2	O-RING	32x2	2	
00-27	V6552260	TWIST GRIP	6061-T6	1	
00-28	V6552261	HANDLE SHAFT	45#	1	
00-29	V6552512	Q/R COUPLING	ZG45	1	1"

8. Parts List:HAV65



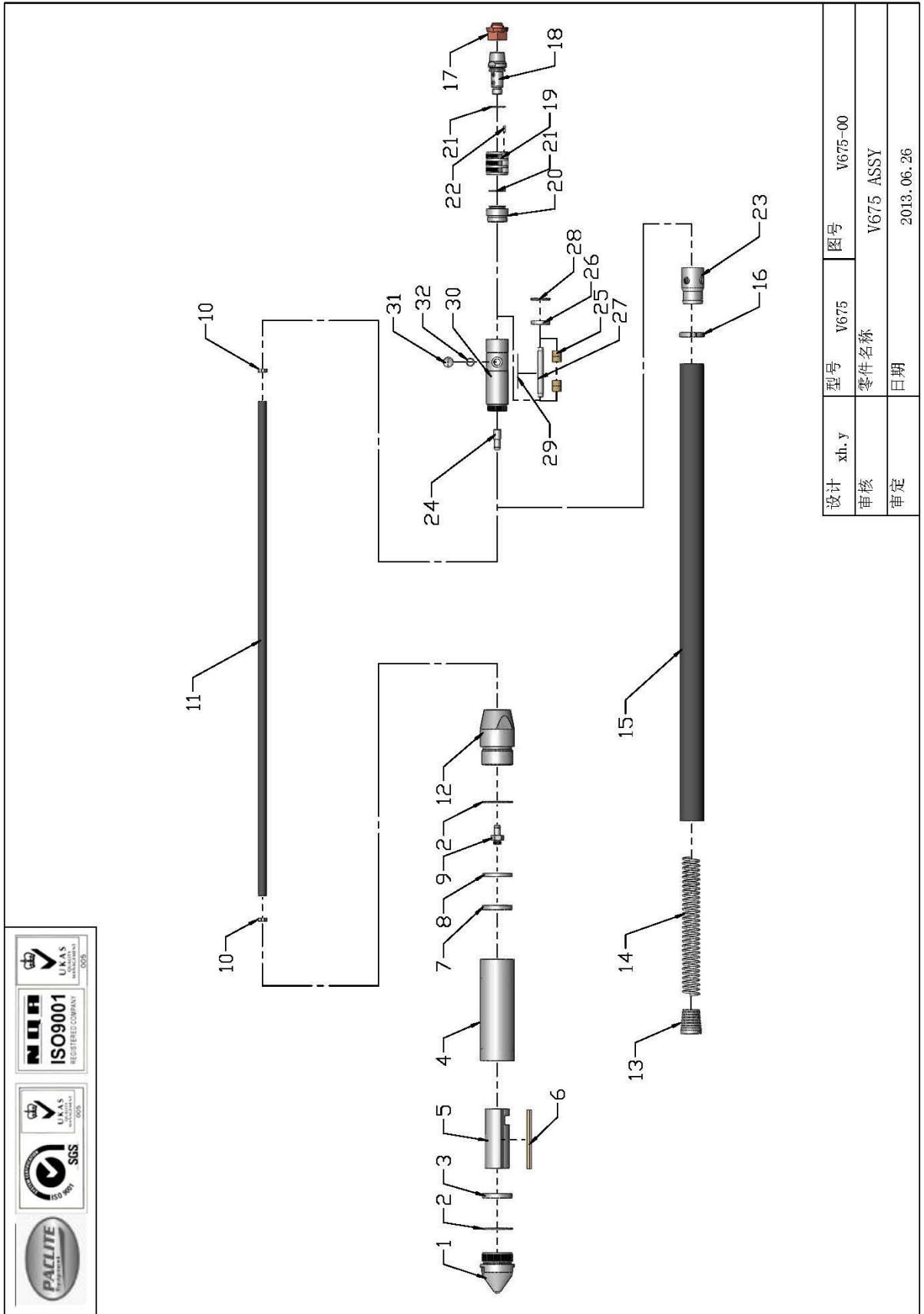
Drawn	WLJ	Model	V665	Drawing No.	V665
Checked		Description PNEUMATIC POKERS VIBRATOR (65mm) ASSEMBLY			
Approved		Date 2014.01.07			

Parts List:HAV65

V665 PNEUMATIC POKERS VIBRATOR ASSY (Ø65MM)

NO.	PART NO.	PART DESCRIPTION	MATERIAL SPECIFICATION	QTY	REMARKS
1	V66516265	VIBRATOR HEAD	42CrMo	1	
2	V66516260	FRONT CLOSURE PLATE	42CrMo	1	
3	V665-W04-50x3.5	O-RING	50x3.5	2	
4	V66516261	VIBRATOR BODY	45#	1	
5	V67516233	VANE	4mm	1	
6	V66516262	VIBRATOR SHAFT	45#	1	
7	V66516264	REAR CLOSURE PLATE	42CrMo	1	
8	V66516267	LOCKING RING		1	
9	V66516266	HOSE JOINT	20#	1	
10	V6551584	FLEXIBLE HOSE	38x4M	1	5mm
11	V6551582	HOSE SLEEVE	6061-T6	1	
12	V65516225	INLET HOSE CONNECTOR	Q235	1	
13	V6551583	INLET HOSE	17x4M	1	3.5mm
14	V6555456	INLET HOSE CLIP	17--19	2	
15	V600075	EXHAUST HOSE CLIP	38--41	1	
16	V65510223	EXHAUST BODY	6061-T6	1	
17	V65510221	INLET HOSE CONNECTOR	Q235	1	
18	V65510271	LUBRICATOR BODY	6061-T6	1	
19	V665-W04-14x2	O-RING	14x2	1	
20	V6552265	OIL FILLER SCREW	6061-T6	1	
21	V6552521	BLEED WIRE	Ø0.3mm	1	80mm
22	V65510289	LUBRICATOR TUBE	6061-T6	1	
23	V6552520	FELT	20x12	9	
24	V65510273	WASHER	nylon	1	
25	V665-W04-33x5	O-RING	33x5	1	
26	V65516042	ADAPTOR	6061-T6	1	
27	V665-W04-32x2	O-RING	32x2	2	
28	V6552260	TWIST GRIP	6061-T6	1	
29	V665-SC.PIN-4x10	SC.PIN	4x10	1	
30	V6552261	HANDLE SHAFT	45#	1	
31	V6552512	Q/R COUPLING	ZG45	1	1"

9. Parts List:HAV75



Parts List:HAV75

V675 PNEUMATIC POKERS VIBRATOR ASSY (Ø75MM)

NO.	PART NO.	PART DESCRIPTION	MATERIAL SPECIFICATION	QTY	REMARKS
00-1	V6753551	VIBRATOR HEAD	42CrMo	1	
00-2	V675-W04-62x3.15	O-RING	62x3.15	2	
00-3	V67516230	Front Closure Plate	GCr15	1	
00-4	V67516231	VIBRATOR BODY	45#	1	
00-5	V67516232	VIBRATOR SHAFT	45#	1	
00-6	V67516233	VANE	4mm	1	
00-7	V67516234	Rear Closure Plate	GCr15	1	
00-8	V6757688	LOCKING RING		1	
00-9	V67516235	INLET HOSE CONNECTOR	A3	1	
00-10	V6755211	INLET HOSE CLIP	17--20	2	
00-11	V675540	INLET HOSE	18x4M	1	3mm
00-12	V6753553	HOSE JOINT	45#	1	
00-13	V6751604	HOSE SLEEVE	6061-T6	1	
00-14	V6751479	Hose Protection Spring	65Mn	1	
00-15	V675541	FLEXIBLE HOSE	54x4M	1	7mm
00-16	V67576	EXHAUST HOSE CLIP	58-60	1	
00-17	V6552512	Q/R COUPLING	ZG45	1	PT1
00-18	V6552261	HANDLE SHAFT	45#	1	
00-19	V6552260	TWIST GRIP	6061-T6	1	
00-20	V65516042	ADAPTOR	6061-T6	1	
00-21	V675-W04-32x2	O-RING	32x2	2	
00-22	V675-SC.PIN-4x10	SC.PIN	4x10	1	
00-23	V67510222	EXHAUST BODY	6061-T6	1	
00-24	V67510219	INLET HOSE CONNECTOR	A3	1	
00-25	V6552520	FELT	20x12	9	3.5mm
00-26	V65510273	WASHER	nylon	1	
00-27	V65510289	LUBRICATOR TUBE	6061-T6	1	
00-28	V675-W04-33x5	O-RING	33x5	1	
00-29	V6552521	BLEED WIRE	Ø0.3mm	1	80mm
00-30	V65510271	LUBRICATOR BODY	6061-T6	1	
00-31	V6552265	OIL FILLER SCREW	6061-T6	1	
00-32	V675-W04-14x2	O-RING	14x2	1	

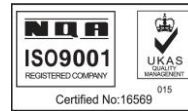
10. Technical Data

MODEL	HAV25	HAV35	HAV45	HAV55	HAV65	HAV75
VIB. HEAD DIAMETER- (mm)	28	35	45	55	65	75
VIB. HEAD WEIGHT- (KG)	0.7	1.5	2.8	4.5	7.9	8.9
VIB. HEAD LENGTH- (mm)	254	267	316	344	365	398
AMPLITUDE- (mm)	0.5	0.6	0.6	0.8	0.9	1.2
FREQUENCY- (rpm)	21,000	19,000	18,000	17,000	17,500	16,000
AIR CONSUMPTION- (m ³ /min)	0.36	0.46	0.7	1.1	1.3	1.8
HOSE LENGTH- (M)	4	4	4	4	4	4

NOTES:

NOTES:


NOTES:



PACLITE EQUIPMENT

UNI-CORP EUROPE

I RUE DE BIESME 02320 PINON – France

 +33 0323200330



 sales@paclite-equip.com



www.paclite-equip.com

