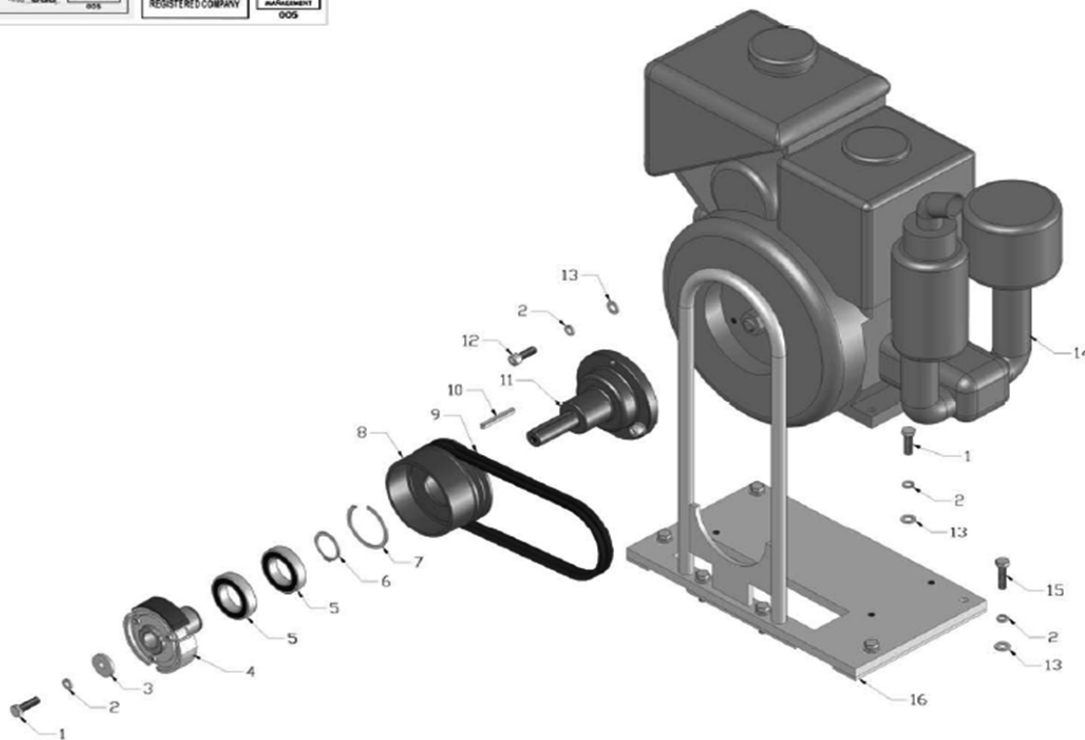


VR6500-01 ENGINE UNIT

| NO. | PART NO. | PART DESCRIPTION | QTY | UNIT PRICE (EURO) 2021 |
|-------|------------------------------|-------------------|-----|------------------------|
| 01-1 | VR6500-FN.B-M10x35-8.8-DIN-1 | BOLT | 5 | 0,35 € |
| 01-2 | VR6500-SPG.W10-DIN-1 | SPRING WASHER | 14 | 0,20 € |
| 01-3 | VR6500-6.5-011000 | WASHER | 1 | 6,28 € |
| 01-4 | VR6500-6.5-010902 | CLUTCH | 1 | 214,49 € |
| 01-5 | VR6500-W01-6008ZZ-J | BEARING | 2 | 30,10 € |
| 01-6 | VR6500-CS.RG40 | EXTERNAL CIRCLIP | 1 | 0,53 € |
| 01-7 | VR6500-6.5-010903 | INTERNAL CIRCLIP | 1 | 3,14 € |
| 01-8 | VR6500-6.5-010901 | PULLEY FOR CLUTCH | 1 | 100,19 € |
| 01-9 | VR6500-W02-3V315 | V-BELT | 2 | 13,80 € |
| 01-10 | VR6500-Key.A-6.3x6.3x60 | KEY | 1 | 5,01 € |
| 01-11 | VR6500-650-010200 | P.T.O SHAFT | 1 | 181,10 € |
| 01-12 | VR6500-HS.B-M10x35-8.8-GB-1 | SCREW | 3 | 0,35 € |
| 01-13 | VR6500-FN.W10-DIN-1 | WASHER | 13 | 0,20 € |
| 01-14 | VR6500-W05-E75-NB3 | ENGINE | 1 | |
| 01-15 | VR6500-FN.B-M10x40-8.8-DIN-1 | BOLT | 6 | 0,35 € |
| 01-16 | VR6500-6.5-010100 | ENGINE BASE | 1 | 188,15 € |

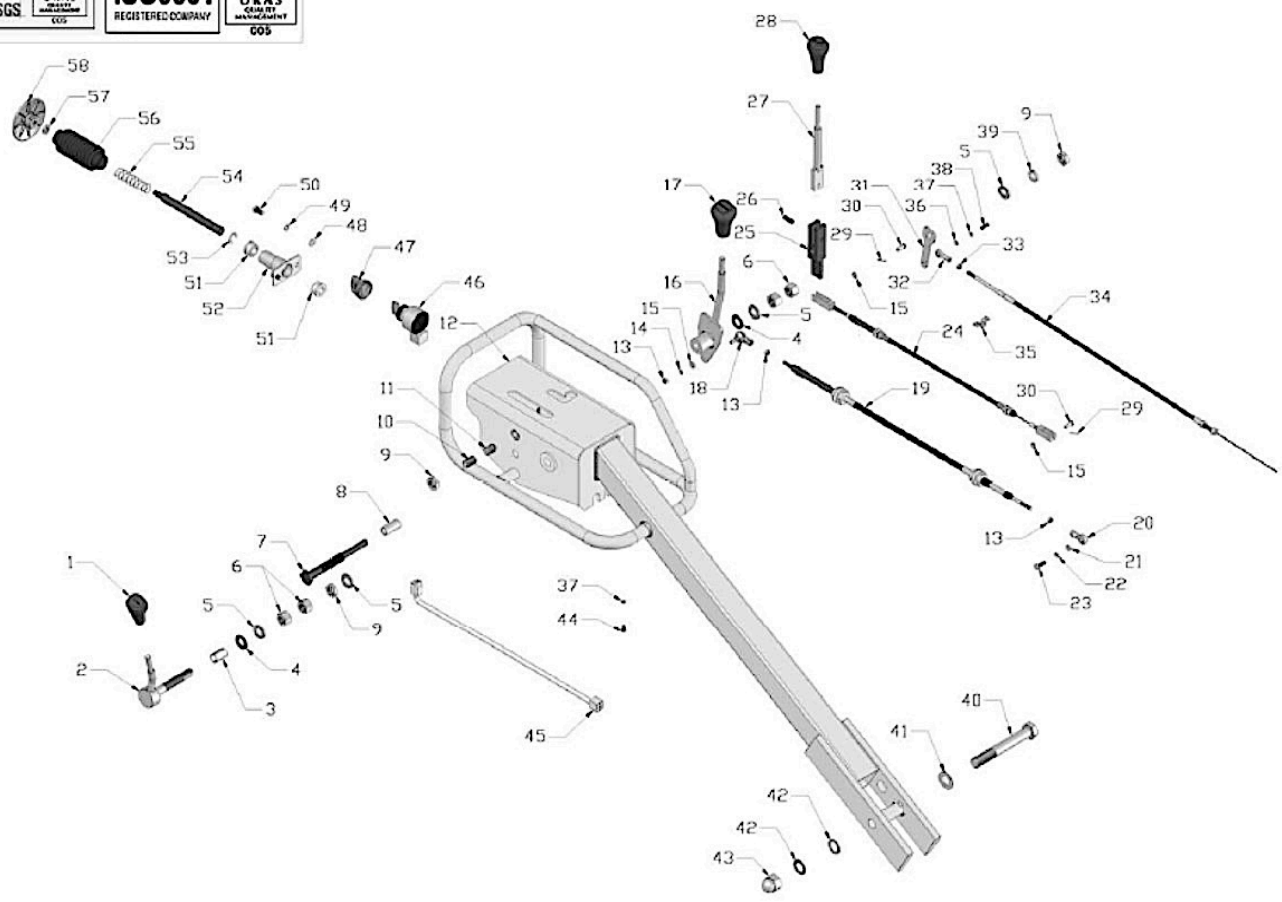


| | | | | | |
|----------|------|-------------|-------------|-------------|------------|
| Drawn | C. J | Model | VR-6500 | Drawing No. | VR-6500-01 |
| Checked | | Description | ENGINE UNIT | | |
| Approved | | Date | 2009.07.03 | | |

VR6500-02 OPERATION HANDLE UNIT

| NO. | PART NO. | PART DESCRIPTION | QTY | UNIT PRICE (EURO) 2021 |
|-------|-------------------------------|-----------------------------|-----|------------------------|
| 02-1 | VR6500-650-023000 | THROTTLE GRIP | 1 | 28,85 € |
| 02-2 | VR6500-650-021000 | THROTTLE GRIP | 1 | 28,85 € |
| 02-3 | VR6500-650-022400 | BEARING BUSH | 1 | 10,04 € |
| 02-4 | VR6500-WSPG.W16-DIN-3 | WAVE SPRING WASHER | 2 | 0,35 € |
| 02-5 | VR6500-FN.W16-DIN-2 | WASHER | 4 | 0,20 € |
| 02-6 | VR6500-FN.N-M16-DIN-2 | NUT | 4 | 0,35 € |
| 02-7 | VR6500-6.5-022100 | PIN | 1 | 25,09 € |
| 02-8 | VR6500-6.5-022400 | BUSH | 1 | 1,28 € |
| 02-9 | VR6500-FNL.N-M16-DIN-2 | HEXAGON THIN NUT | 3 | 0,40 € |
| 02-10 | VR6500-FHSS.S-M16x25-GB-2 | SOCKET SCREW WITH FLAT HEAD | 1 | 1,33 € |
| 02-11 | VR6500-6.5-022700 | PLUNGER | 1 | 7,89 € |
| 02-12 | VR6500-650-020100F | OPERATION HANDLE | 1 | 277,05 € |
| 02-13 | VR6500-FN.N-M6-DIN-2 | NUT | 3 | 0,20 € |
| 02-14 | VR6500-SPG.W6-DIN-2 | SPRING WASHER | 1 | 0,20 € |
| 02-15 | VR6500-FN.W6-DIN-2 | WASHER | 3 | 0,20 € |
| 02-16 | VR6500-650-021900 | DRIVE LEVER | 1 | 33,86 € |
| 02-17 | VR6500-650-023100 | DRIVE GRIP | 1 | 31,36 € |
| 02-18 | VR6500-6.5-020003 | UNIVERSAL JOINT | 1 | 18,81 € |
| 02-19 | VR6500-6.5D-022600 | DRIVE CABLE ASSY | 1 | 162,75 € |
| 02-20 | VR6500-6.5-020002 | UNIVERSAL JOINT | 1 | 22,58 € |
| 02-21 | VR6500-FN.W6-DIN-1 | WASHER | 1 | 0,20 € |
| 02-22 | VR6500-SPG.W6-DIN-1 | SPRING WASHER | 1 | 0,20 € |
| 02-23 | VR6500-FN.B-M6x20-8.8-DIN-1 | BOLT | 1 | 0,20 € |
| 02-24 | VR6500-6.5D-022500 | VIBRATION CABLE ASSY | 1 | 148,16 € |
| 02-25 | VR6500-650-021700 | U CONNECTOR | 1 | 18,19 € |
| 02-26 | VR6500-SC.PIN-8x24-GB-3 | SPRING PIN | 1 | 0,45 € |
| 02-27 | VR6500-650-021800 | VIBRATION LEVER | 1 | 23,84 € |
| 02-28 | VR6500-650-023200 | VIBRATOR GRIP | 1 | 28,85 € |
| 02-29 | VR6500-SP.PIN-1.6x20-GB-2 | SPLIT PIN | 2 | 0,20 € |
| 02-30 | VR6500-HWH.PIN-6x20-GB-2 | PIN | 2 | 0,35 € |
| 02-31 | VR6500-650-021100 | LEVER | 1 | 7,53 € |
| 02-32 | VR6500-6.5-020001 | UNIVERSAL JOINT | 1 | 13,80 € |
| 02-33 | VR6500-FN.N-M5-DIN-2 | NUT | 1 | 0,20 € |
| 02-34 | VR6500-6.5D-010800 | THROTTLE CABLE ASS | 1 | 155,23 € |
| 02-35 | VR6500-6.5-010400 | CABLE CLIP | 1 | 1,89 € |
| 02-36 | VR6500-FN.W5-DIN-2 | WASHER | 1 | 0,20 € |
| 02-37 | VR6500-SPG.W5-DIN-2 | SPRING WASHER | 3 | 0,20 € |
| 02-38 | VR6500-FN.B-M5x16-8.8-DIN-2 | BOLT | 1 | 0,20 € |
| 02-39 | VR6500-SPG.W16-DIN-2 | SPRING WASHER | 1 | 0,20 € |
| 02-40 | VR6500-FN.B-M20x150-8.8-DIN-2 | BOLT | 1 | 4,39 € |
| 02-41 | VR6500-FN.W20-DIN-2 | WASHER | 1 | 0,25 € |
| 02-42 | VR6500-NL-20 | SERRATED WASHER | 2 | 7,53 € |
| 02-43 | VR6500-HC.N-M20-DIN-2 | CAP NUT | 1 | 10,04 € |
| 02-44 | VR6500-FN.B-M5X12-8.8-DIN-2 | BOLT | 2 | 0,20 € |
| 02-45 | VR6500-ROL650-020700 | START-UP WIRE | 1 | 49,55 € |
| 02-46 | VR6500-6.5D-000006 | SWITCH | 1 | 59,58 € |
| 02-47 | VR6500-6.5D-000007 | RUBBER COVER | 1 | 25,09 € |
| 02-48 | VR6500-FN.W8-DIN-2 | WASHER | 2 | 0,20 € |
| 02-49 | VR6500-SPG.W8-DIN-2 | SPRING WASHER | 2 | 0,20 € |
| 02-50 | VR6500-FN.B-M8x16-8.8-DIN-2 | BOLT | 2 | 0,25 € |
| 02-51 | VR6500-6.5-021400 | NYLON BUSH | 2 | 14,43 € |
| 02-52 | VR6500-650-021500 | LEADER BASE | 1 | 17,56 € |
| 02-53 | VR6500-ET.RG12 | LOCK WASHER FOR SHAFT | 1 | 0,25 € |

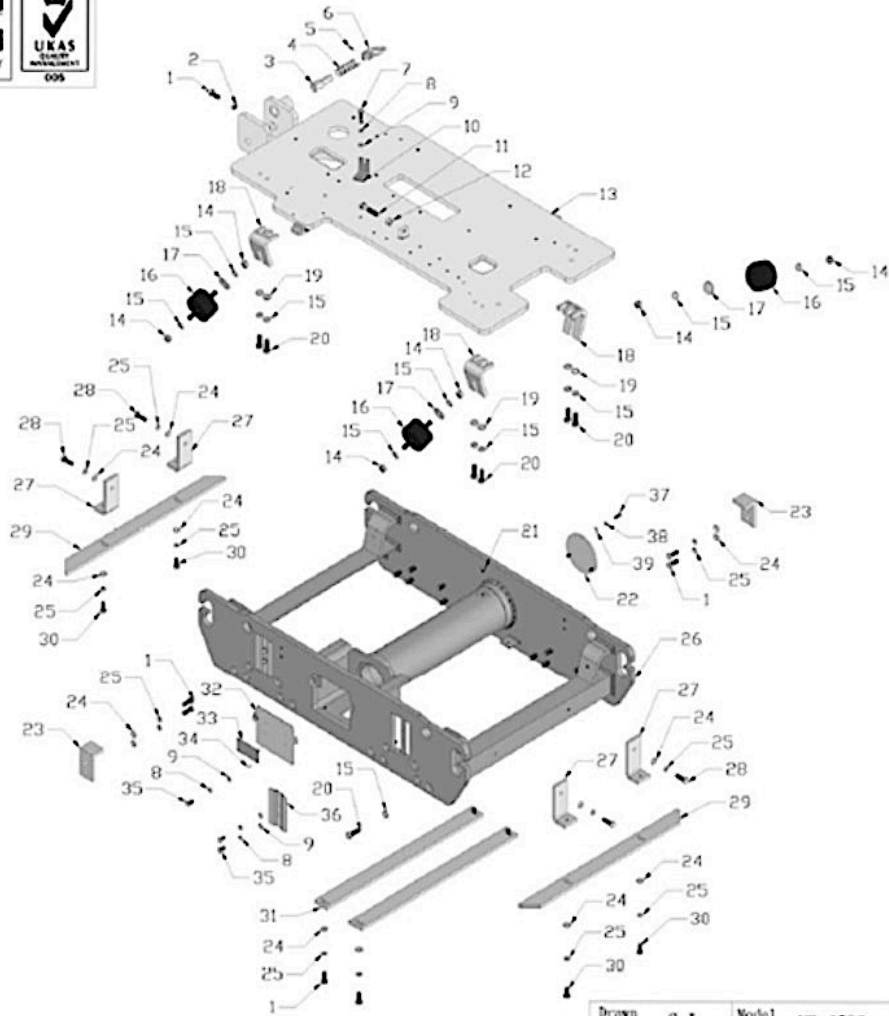
| | | | | |
|-------|------------------------|------------------|---|---------|
| 02-54 | VR6500-6.5-021600 | ROD | 1 | 25,09 € |
| 02-55 | VR6500-6.5-021300 | SPRING | 1 | 0,25 € |
| 02-56 | VR6500-650-022900 | SWITCH BUSH | 1 | 26,96 € |
| 02-57 | VR6500-FNL.N-M10-DIN-2 | HEXAGON THIN NUT | 1 | 0,25 € |
| 02-58 | VR6500-650-021200P | EMERGENCY KNOB | 1 | 49,86 € |



| | | | | | |
|----------|------|-------------|-----------------------|-------------|------------|
| Drawn | C. J | Model | VR-6500 | Drawing No. | VR-6500-02 |
| Checked | | Description | OPERATION HANDLE UNIT | | |
| Approved | | Date | 2009. 11. 12 | | |

VR6500-03 MAIN FRAME

| NO. | PART NO. | PART DESCRIPTION | QTY | UNIT PRICE (EURO) 2021 |
|-------|------------------------------|--------------------|-----|------------------------|
| 03-1 | VR6500-FN.B-M10x30-8.8-DIN-1 | BOLT | 9 | 0,35 € |
| 03-2 | VR6500-FN.N-M10-DIN | NUT | 1 | 0,20 € |
| 03-3 | VR6500-6.5-020200 | PIN | 1 | 25,09 € |
| 03-4 | VR6500-6.5-020300 | SPRING | 1 | 5,01 € |
| 03-5 | VR6500-SC.PIN-3x16-GB-3 | SPRING PIN | 1 | 0,25 € |
| 03-6 | VR6500-650-020600 | EYE BOLT | 1 | 30,10 € |
| 03-7 | VR6500-FN.B-M8x25-8.8-DIN-1 | BOLT | 1 | 0,25 € |
| 03-8 | VR6500-SPG.W8-DIN-1 | SPRING WASHER | 7 | 0,20 € |
| 03-9 | VR6500-FN.W8-DIN-1 | WASHER | 7 | 0,20 € |
| 03-10 | VR6500-6.5-051600 | BRACKET | 1 | 17,56 € |
| 03-11 | VR6500-FN.B-M12x60-8.8-DIN-1 | BOLT | 1 | 0,64 € |
| 03-12 | VR6500-FN.N-M12-DIN-1 | NUT | 1 | 0,30 € |
| 03-13 | VR6500-650-030300 | BASE FRAME | 1 | 815,31 € |
| 03-14 | VR6500-IN.N-M12-DIN-1 | LOCK NUT | 8 | 0,35 € |
| 03-15 | VR6500-SPG.W12-DIN-1 | SPRING WASHER | 40 | 0,20 € |
| 03-16 | VR6500-6.5-030700 | RUBBER CUSHION | 4 | 125,59 € |
| 03-17 | VR6500-WOD.W12-GB-1 | WASHER | 4 | 0,30 € |
| 03-18 | VR6500-6.5-030600 | UPPER CUSHION SEAT | 4 | 108,50 € |
| 03-19 | VR6500-FN.W12-DIN-1 | WASHER | 8 | 0,20 € |
| 03-20 | VR6500-FN.B-M12x35-8.8-DIN-1 | BOLT | 32 | 0,50 € |
| 03-21 | VR6500-100G-000004 | VENT SCREW | 1 | 3,76 € |
| 03-22 | VR6500-6.5-050300 | COVER | 1 | 38,26 € |
| 03-23 | VR6500-650-030400 | STOPPER | 2 | 13,80 € |
| 03-24 | VR6500-FN.W10-DIN-1 | WASHER | 16 | 0,20 € |
| 03-25 | VR6500-SPG.W10-DIN-1 | SPRING WASHER | 16 | 0,20 € |
| 03-26 | VR6500-650-030100 | MOUNTING | 1 | 462,54 € |
| 03-27 | VR6500-6.5D-031000 | SCRAPER FRAME | 4 | 46,41 € |
| 03-28 | VR6500-FN.B-M10x35-8.8-DIN-1 | BOLT | 4 | 0,35 € |
| 03-29 | VR6500-6.5D-031100 | EXTERNAL SCRAPER | 2 | 60,21 € |
| 03-30 | VR6500-FN.B-M10x25-8.8-DIN-1 | BOLT | 4 | 0,30 € |
| 03-31 | VR6500-6.5D-030900 | INTERNAL SCRAPER | 2 | 59,58 € |
| 03-32 | VR6500-6.5-030500 | SIDE COVER | 1 | 36,38 € |
| 03-33 | VR6500-D4-MP-P | NAMEPLATE | 1 | 2,51 € |
| 03-34 | VR6500-K.RVT-3.2x11 | RIVET | 4 | 0,35 € |
| 03-35 | VR6500-FN.B-M8x16-8.8-DIN-1 | BOLT | 6 | 0,25 € |
| 03-36 | VR6500-6.5-040900 | U BYPASS SUPPORT | 2 | 8,15 € |
| 03-37 | VR6500-FN.B-M6x20-8.8-DIN-1 | BOLT | 3 | 0,20 € |
| 03-38 | VR6500-SPG.W6-DIN-1 | SPRING WASHER | 3 | 0,20 € |
| 03-39 | VR6500-FN.W6-DIN-1 | WASHER | 3 | 0,20 € |

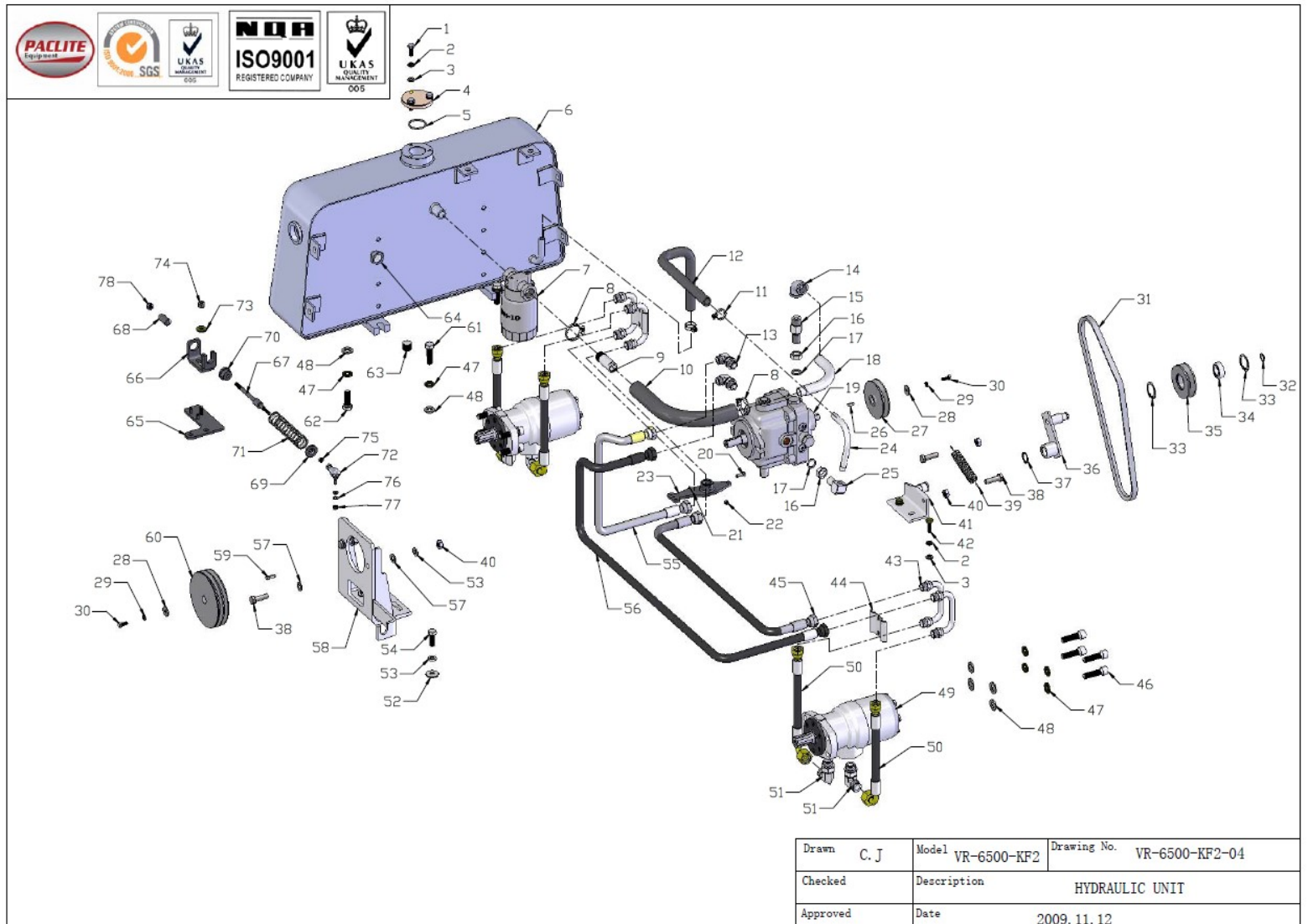


| | | | | | |
|----------|------|-------------|-----------------|-------------|------------|
| Drawn | C. J | Model | VR-6500 | Drawing No. | VR-6500-03 |
| Checked | | Description | MAIN FRAME UNIT | | |
| Approved | | Date | 2009. 11. 12 | | |

VR6500-04 HYDRAULIC UNIT

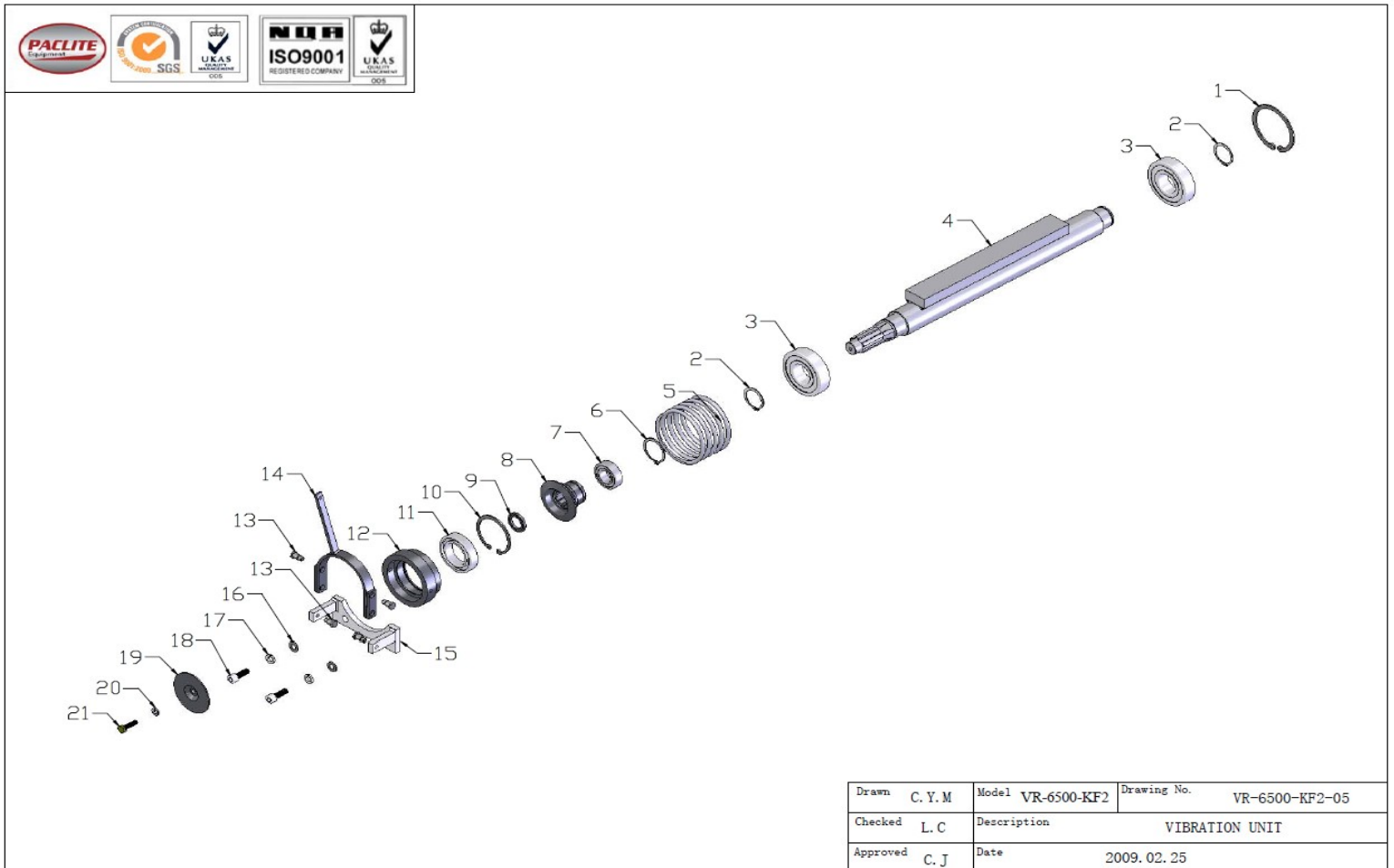
| NO. | PART NO. | PART DESCRIPTION | QTY | UNIT PRICE (EURO) 2021 |
|-------|---|-----------------------|-----|------------------------|
| 04-1 | VR6500-FN.B-M8x20-8.8 | BOLT | 3 | 0,25 € |
| 04-2 | VR6500-SPG.W8-DIN-1 | SPRING WASHER | 5 | 0,20 € |
| 04-3 | VR6500-FN.W8-DIN-1 | WASHER | 5 | 0,20 € |
| 04-4 | VR6500-6.5-041107 | HYDRULIC OIL TANK CAP | 1 | 12,33 € |
| 04-5 | VR6500-W04-34.4x3.1 | O-RING | 1 | 5,01 € |
| 04-6 | VR6500-650-041100 | HYDRAULIC OIL TANK | 1 | 619,33 € |
| 04-7 | VR6500-6.5-040003 | FILTER | 1 | 90,00 € |
| 04-8 | VR6500-6.5-040008 | STEEL WIRE HOOP | 2 | 1,89 € |
| 04-9 | VR6500-6.5-041200 | FILTER NIPPLE | 1 | 20,08 € |
| 04-10 | VR6500-6.5-040007 | SUCTION HOSE | 1 | 39,51 € |
| 04-11 | VR6500-6.5-040009 | STEEL WIRE HOOP | 2 | 2,51 € |
| 04-12 | VR6500-6.5-040006 | DRAIN HOSE | 1 | 26,34 € |
| 04-13 | VR6500-1CG9-18-06OG | ELBOW BEND | 2 | 26,96 € |
| 04-14 | VR6500-6.5-041600 | PIPE BEND | 1 | 6,28 € |
| 04-15 | VR6500-6.5-041300 | SUCTION CONNECTOR | 1 | 14,43 € |
| 04-16 | VR6500-6.5-041500 | LOCK NUT | 2 | 5,01 € |
| 04-17 | VR6500-ZH-D-M16 | WASHER | 2 | 0,45 € |
| 04-18 | VR6500-6.5-040700 | SUCTION NIPPLE | 1 | 59,58 € |
| 04-19 | VR6500-W17-PV10-619 | HYDRAULIC PUMP | 1 | 2 453,79 € |
| 04-20 | VR6500-HWH.PIN-6x32 | PIN | 1 | 0,40 € |
| 04-21 | VR6500-SP.PIN-1.6x20 | SPLIT PIN | 1 | 0,20 € |
| 04-22 | VR6500-FHSS.S-M8x6-GB-3 | GRUB SCREW | 1 | 0,20 € |
| 04-23 | VR6500-650-041900 | CONTROL LEVER | 1 | 12,54 € |
| 04-24 | VR6500-6.5-040600 | DRAIN NIPPLE | 1 | 15,05 € |
| 04-25 | VR6500-6.5-041400 | TIE-IN | 1 | 10,04 € |
| 04-26 | VR6500-Key.B-4.8x4.8x14 | KEY | 1 | 5,01 € |
| 04-27 | VR6500-6.5-040500 | PUMP PULLEY | 1 | 18,81 € |
| 04-28 | VR6500-FNL.W6-GB-1 | WASHER | 2 | 0,20 € |
| 04-29 | VR6500-SPG.W6-DIN-1 | SPRING WASHER | 2 | 0,20 € |
| 04-30 | VR6500-FN.B-M6x16-8.8-DIN-1 | BOLT | 2 | 0,20 € |
| 04-31 | VR6500-W02-A33 | V-BELT | 1 | 12,54 € |
| 04-32 | VR6500-CS.RG15 | EXTERNAL CIRCLIP | 1 | 0,25 € |
| 04-33 | VR6500-CH.RG35 | INTERNAL CIRCLIP | 2 | 0,40 € |
| 04-34 | VR6500-W01-620ZZ-J | BEARING | 1 | 7,53 € |
| 04-35 | VR6500-6.5-051400 | PULLEY | 1 | 20,70 € |
| 04-36 | VR6500-6.5-051300 | PULLEY BRACKET | 1 | 45,79 € |
| 04-37 | VR6500-CS.RG20 | EXTERNAL CIRCLIP | 1 | 0,30 € |
| 04-38 | VR6500-FN.B-M10x35-8.8-DIN-1 | BOLT | 4 | 0,35 € |
| 04-39 | VR6500-6.5-051500 | SPRING | 1 | 0,99 € |
| 04-40 | VR6500-FN.N-M10-DIN-1 | NUT | 4 | 0,20 € |
| 04-41 | VR6500-6.5-051200 | PULLEY BRACKET | 1 | 50,18 € |
| 04-42 | VR6500-FN.B-M8x25-8.8-DIN-1 | BOLT | 2 | 0,25 € |
| 04-43 | VR6500-6.5-040800 | BYPASS PIPE | 4 | 16,31 € |
| 04-44 | VR6500-6.5-041000 | U BYPASS STATOR | 2 | 18,81 € |
| 04-45 | VR6500-20411-18-06x1T06IRx500 | HYDRAULIC HOSE | 1 | 47,04 € |
| 04-46 | VR6500-HS.B-M12x45 | SCREW | 8 | 0,50 € |
| 04-47 | VR6500-SPG.W12-DIN-1 | SPRING WASHER | 12 | 0,20 € |
| 04-48 | VR6500-FN.W12-DIN-1 | WASHER | 12 | 0,20 € |
| 04-49 | VR6500-W17-151-6038 | HYDRAULIC MOTOR | 2 | 1 281,78 € |
| 04-50 | VR6500-20491-22-06T/20411-18x1T06IRx385 | HYDRAULIC HOSE | 4 | 49,55 € |
| 04-51 | VR6500-1CG9-22-08OG | ELBOW BEND | 4 | 59,58 € |

| | | | | |
|-------|--------------------------------|----------------------------|---|----------|
| 04-52 | VR6500-WOD.W10-GB-1 | WASHER | 4 | 0,20 € |
| 04-53 | VR6500-SPG.W10-DIN-1 | SPRING WASHER | 6 | 0,20 € |
| 04-54 | VR6500-FN.B-M10x30-8.8-DIN-1 | BOLT | 4 | 0,35 € |
| 04-55 | VR6500-20411-18-06x1T06IRx750 | HYDRAULIC HOSE | 1 | 53,31 € |
| 04-56 | VR6500-20411-18-06x1T06IRx1070 | HYDRAULIC HOSE | 1 | 62,09 € |
| 04-57 | VR6500-FN.W10-DIN-1 | WASHER | 4 | 0,20 € |
| 04-58 | VR6500-6.5-040100 | PUMP BRACKET | 1 | 103,49 € |
| 04-59 | VR6500-Key.B-5x5x22 | KEY | 1 | 5,01 € |
| 04-60 | VR6500-6.5-040300 | PUMP PULLEY | 1 | 89,06 € |
| 04-61 | VR6500-FN.B-M12x40-8.8-DIN-1 | BOLT | 2 | 0,40 € |
| 04-62 | VR6500-FN.B-M12x35-8.8-DIN-1 | BOLT | 2 | 0,50 € |
| 04-63 | VR6500-HSHOS.B-ZG1-2 | HEXAGONAL SOCKET HEAD PLUG | 1 | 2,51 € |
| 04-64 | VR6500-100GB-041000 | OIL GAUGE | 1 | 26,34 € |
| 04-65 | VR6500-650-041700 | BASE PLATE | 1 | 131,70 € |
| 04-66 | VR6500-650-041800 | BRACKET | 1 | 27,60 € |
| 04-67 | VR6500-650-042000 | BOLT | 1 | 12,56 € |
| 04-68 | VR6500-650-042100 | ADJUST NUT | 1 | 7,53 € |
| 04-69 | VR6500-650-042200 | SPACE COLLAR A | 1 | 6,28 € |
| 04-70 | VR6500-650-042300 | SPACE COLLAR B | 1 | 6,28 € |
| 04-71 | VR6500-650-042400 | SPRING | 1 | 7,53 € |
| 04-72 | VR6500-6.5-020003 | NUIVERASL JOINT | 1 | 18,81 € |
| 04-73 | VR6500-WOD.W8-GB-1 | WASHER | 1 | 0,20 € |
| 04-74 | VR6500-IN.N-M8-DIN-1 | LOCK NUT | 1 | 0,20 € |
| 04-75 | VR6500-FNL.N-M6-DIN-1 | HEXAGON THIN NUT | 1 | 0,20 € |
| 04-76 | VR6500-FN.W6-DIN-1 | WASHER | 2 | 0,20 € |
| 04-77 | VR6500-IN.N-M6-DIN-1 | LOCK NUT | 1 | 0,20 € |
| 04-78 | VR6500-FN.N-M8-DIN-1 | NUT | 1 | 0,20 € |



VR6500-05 VIBRATION UNIT

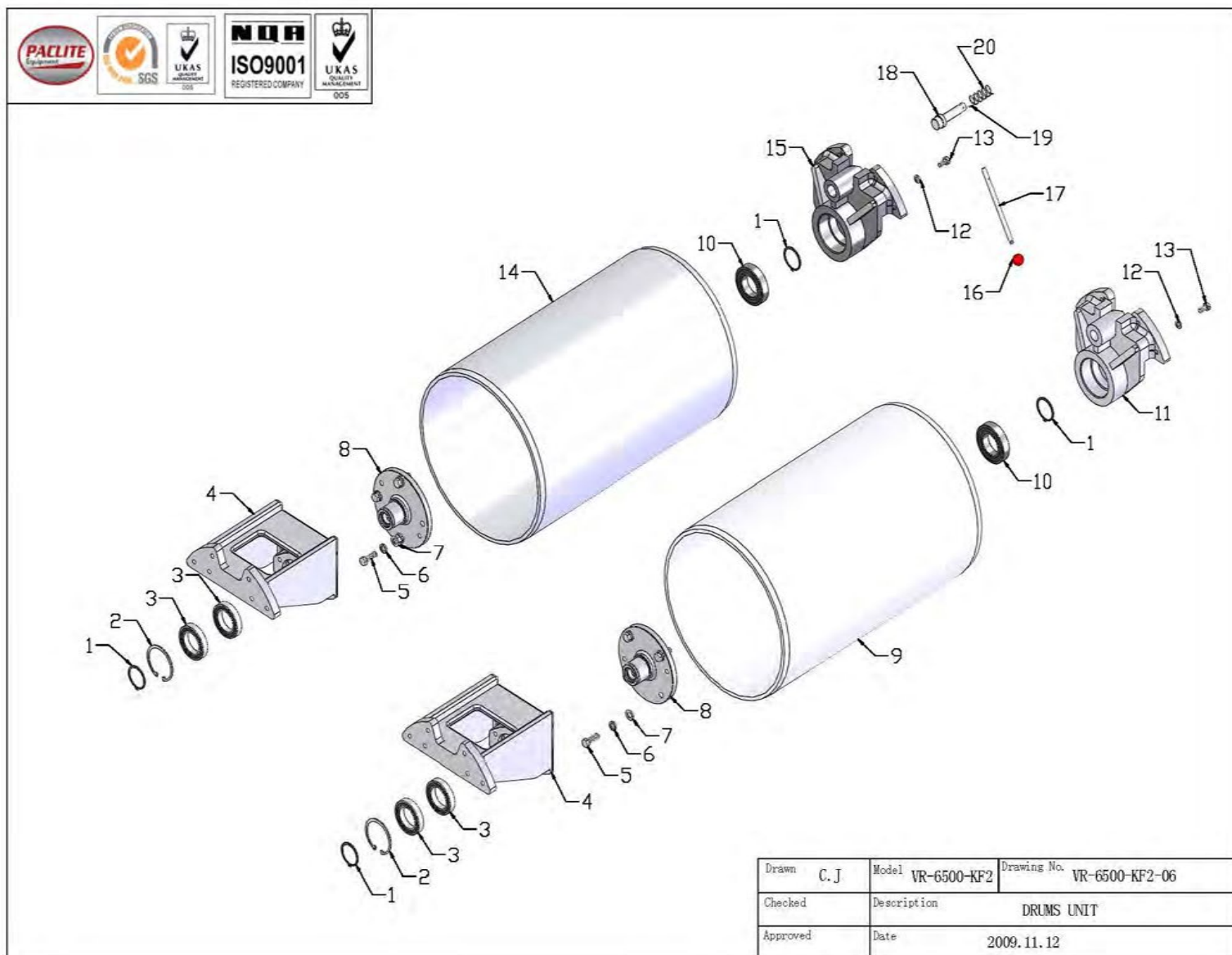
| NO. | PART NO. | PART DESCRIPTION | QTY | UNIT PRICE (EURO) 2021 |
|-------|------------------------------|-----------------------|-----|------------------------|
| 05-1 | VR6500-CH.RG90 | INTERNAL CIRCLIP | 1 | 1,25 € |
| 05-2 | VR6500-CS.RG40 | EXTERNAL CIRCLIP | 2 | 0,53 € |
| 05-3 | VR6500-W01-6308ZZ-J | BEARING | 2 | 50,18 € |
| 05-4 | VR6500-650-050100 | EXCITER SHAFT | 1 | 236,60 € |
| 05-5 | VR6500-6.5-050400 | SPRING | 1 | 63,03 € |
| 05-6 | VR6500-CS.RG45 | EXTERNAL CIRCLIP | 1 | 0,66 € |
| 05-7 | VR6500-W01-6205ZZ-J | BEARING | 1 | 12,54 € |
| 05-8 | VR6500-6.5-050600 | EXCITER PULLEY | 1 | 107,25 € |
| 05-9 | VR6500-6.5-050800 | COLLAR | 1 | 6,28 € |
| 05-10 | VR6500-CH.RG75 | INTERNAL CIRCLIP | 1 | 2,51 € |
| 05-11 | VR6500-W01-6009LLU-J | BEARING | 1 | 35,75 € |
| 05-12 | VR6500-6.5-050500 | EXCITER BUSH | 1 | 73,85 € |
| 05-13 | VR6500-6.5-051000 | BOLT | 4 | 8,78 € |
| 05-14 | VR6500-5.5-050900 | EXCITER LEVER | 1 | 83,26 € |
| 05-15 | VR6500-6.5D-051100 | EXCITER LEVER SUPPORT | 1 | 96,43 € |
| 05-16 | VR6500-FN.W10-DIN-1 | WASHER | 2 | 0,20 € |
| 05-17 | VR6500-SPG.W10-DIN-1 | SPRING WASHER | 2 | 0,20 € |
| 05-18 | VR6500-HS.B-M10x30-8.8-DIN-1 | SCREW | 2 | 0,35 € |
| 05-19 | VR6500-6.5-050700 | EXCITER PULLEY | 1 | 64,44 € |
| 05-20 | VR6500-SPG.W8-DIN-1 | SPRING WASHER | 1 | 0,20 € |
| 05-21 | VR6500-FN.B-M8x30-8.8-DIN-1 | BOLT | 1 | 0,25 € |



| | | | | | |
|----------|---------|-------------|----------------|-------------|----------------|
| Drawn | C. Y. M | Model | VR-6500-KF2 | Drawing No. | VR-6500-KF2-05 |
| Checked | L. C | Description | VIBRATION UNIT | | |
| Approved | C. J | Date | 2009. 02. 25 | | |

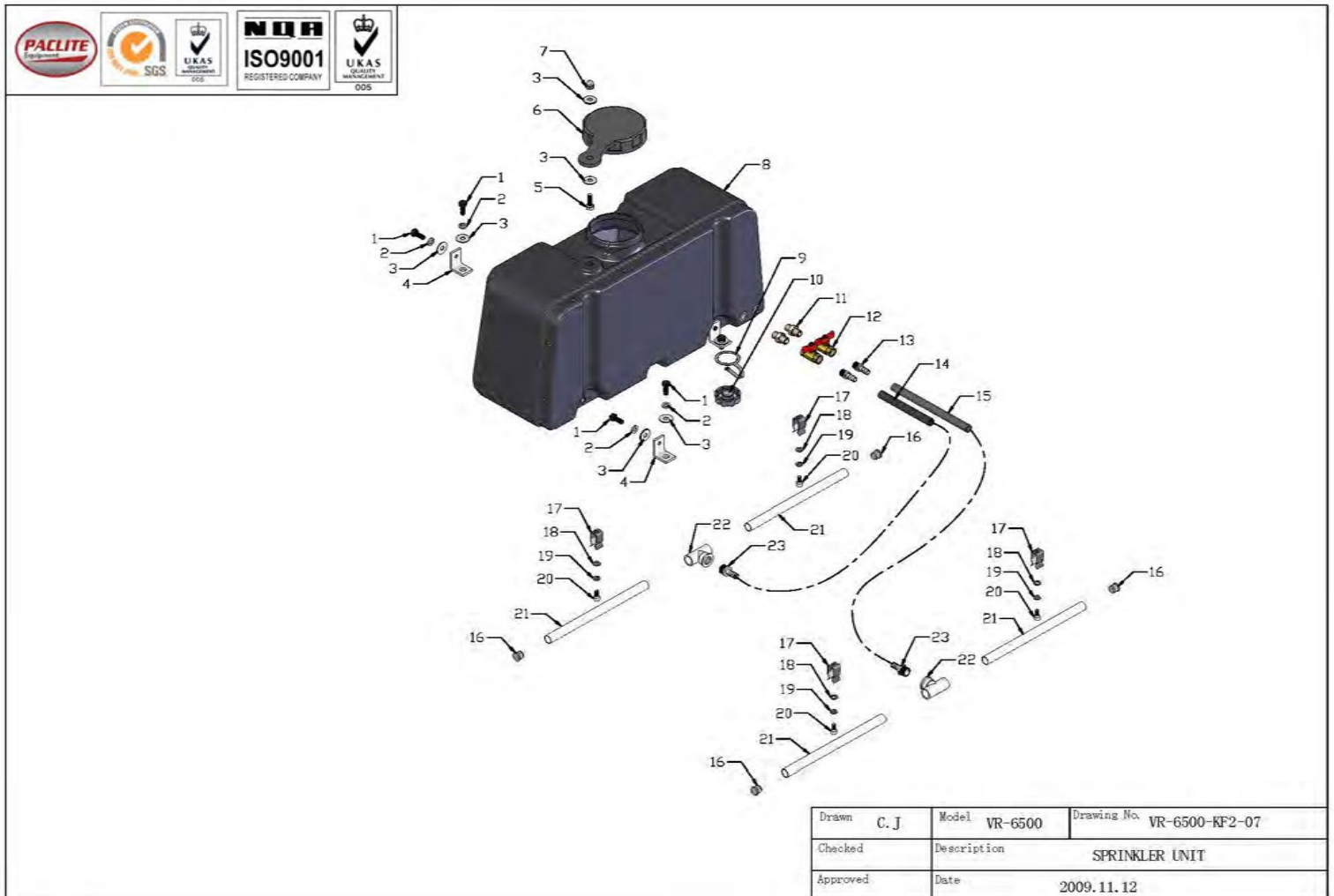
VR6500-06 DRUMS UNIT

| NO. | PART NO. | PART DESCRIPTION | QTY | UNIT PRICE (EURO) 2021 |
|-------|------------------------------|--------------------|-----|------------------------|
| 06-1 | VR6500-CS.RG50 | EXTERNAL CIRCLIP | 4 | 1,33 € |
| 06-2 | VR6500-CH.RG80 | INTERNAL CIRCLIP | 2 | 2,80 € |
| 06-3 | VR6500-W01-6010LLU-J | BEARING | 4 | 46,41 € |
| 06-4 | VR6500-6.5-060100 | BRACKET | 2 | 239,89 € |
| 06-5 | VR6500-FN.B-M12x35-8.8-DIN-1 | BOLT | 8 | 0,55 € |
| 06-6 | VR6500-SPG.W12-DIN-1 | SPRING WASHER | 8 | 0,20 € |
| 06-7 | VR6500-FN.W12-DIN-1 | WASHER | 8 | 0,20 € |
| 06-8 | VR6500-6.5-060200 | FLANGE SHAFT | 2 | 701,64 € |
| 06-9 | VR6500-6.5D-060300 | FRONT DRUM | 1 | 1 173,98 € |
| 06-10 | VR6500-W01-6210LLU-J | BEARING | 2 | 46,41 € |
| 06-11 | VR6500-6.5-060500 | FRONT LEFT BRACKET | 1 | 335,93 € |
| 06-12 | VR6500-SPG.W10-DIN-1 | SPRING WASHER | 2 | 0,04 € |
| 06-13 | VR6500-FN.B-M10x20-8.8-DIN-1 | BOLT | 2 | 0,19 € |
| 06-14 | VR6500-6.5D-060600 | REAR DRUM | 1 | 1 191,61 € |
| 06-15 | VR6500-6.5-060800 | REAR LEFT BRACKET | 1 | 369,64 € |
| 06-16 | VR6500-SH-M8x25 | GRIP BALL | 1 | 1,25 € |
| 06-17 | VR6500-6.5-060700 | PARKING HANDLE | 1 | 30,10 € |
| 06-18 | VR6500-6.5-060900 | STOPPER SHAFT | 1 | 44,69 € |
| 06-19 | VR6500-SC.PIN-3x18-GB-3 | SPRING PIN | 1 | 0,25 € |
| 06-20 | VR6500-6.5-061000 | SPRING | 1 | 0,45 € |



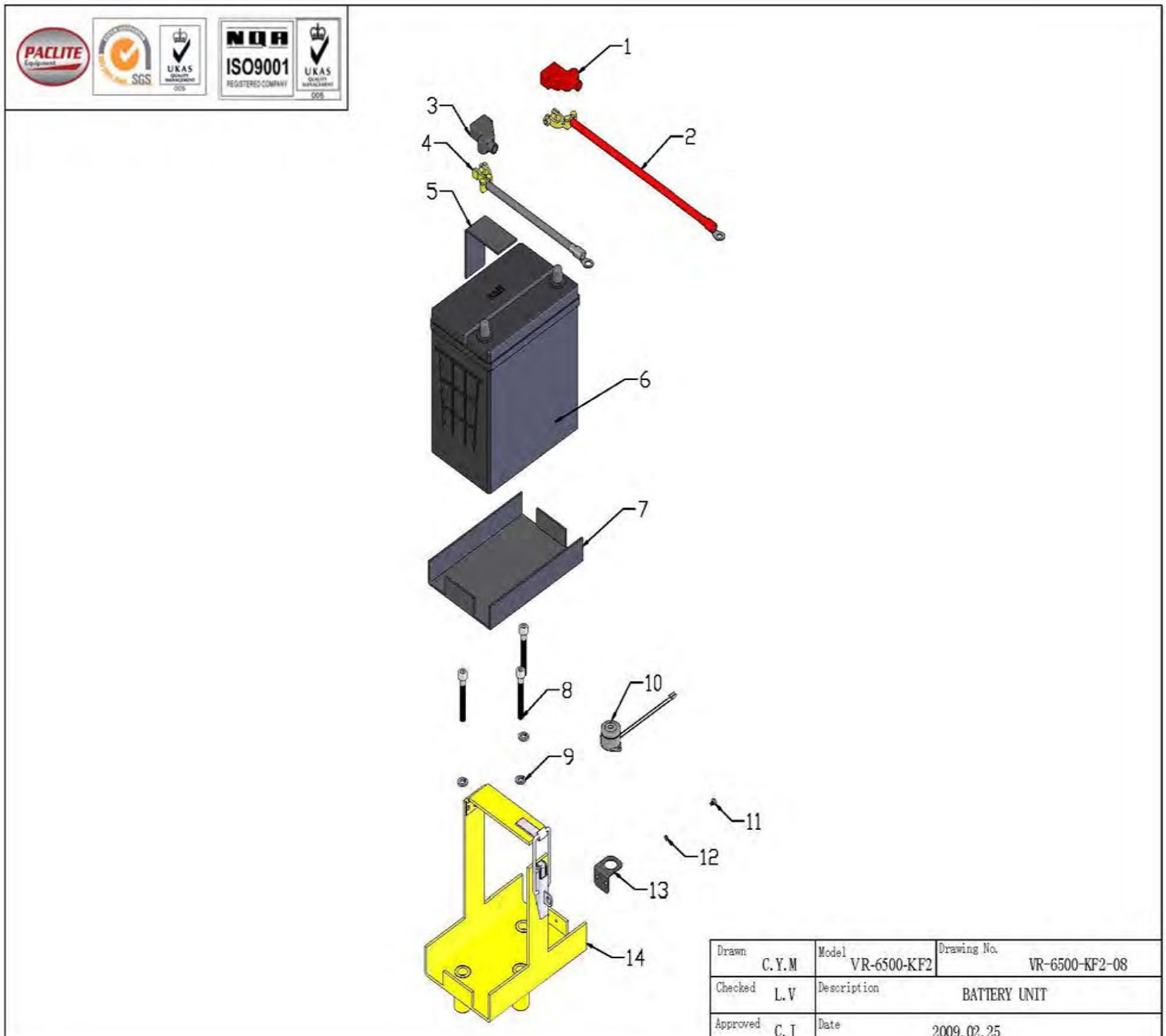
VR6500-07 SPRINKLER UNIT

| NO. | PART NO. | PART DESCRIPTION | QTY | UNIT PRICE (EURO) 2021 |
|-------|------------------------------|------------------|-----|------------------------|
| 07-1 | VR6500-FN.B-M10x25-8.8-DIN-1 | BOLT | 6 | 0,30 € |
| 07-2 | VR6500-SPG.W10-DIN-1 | SPRING WASHER | 6 | 0,05 € |
| 07-3 | VR6500-WOD.W10-GB-1 | LARGE WASHER | 8 | 0,20 € |
| 07-4 | VR6500-650-070300 | BRACKET | 3 | 11,29 € |
| 07-5 | VR6500-FN.B-M10x35-8.8-DIN-1 | BOLT | 1 | 0,35 € |
| 07-6 | VR6500-650-070200 | WATER TANK CAP | 1 | 50,33 € |
| 07-7 | VR6500-HC.N-M10-DIN-1 | CAP NUT | 1 | 5,01 € |
| 07-8 | VR6500-650-070100 | WATER TANK | 1 | 254,00 € |
| 07-9 | VR6500-650-070500 | RUBBER CUSHION | 1 | 2,51 € |
| 07-10 | VR6500-70B-010112 | FUEL TANK CAP | 1 | 31,99 € |
| 07-11 | VR6500-650-070400 | CONNECTOR | 2 | 15,05 € |
| 07-12 | VR6500-6.5-070001 | CULVERT VALVE | 2 | 12,54 € |
| 07-13 | VR6500-20-000703 | HOSE NIPPLE | 2 | 9,41 € |
| 07-14 | VR6500-6.5-070003 | HYDRAULIC HOSE | 1 | 15,05 € |
| 07-15 | VR6500-6.5-070004 | HYDRAULIC HOSE | 1 | 15,05 € |
| 07-16 | VR6500-90BII-060300 | STOPPER | 4 | 3,14 € |
| 07-17 | VR6500-6.5-080000 | PIPE HOLDER | 4 | 2,51 € |
| 07-18 | VR6500-FN.W8-DIN-1 | WASHER | 4 | 0,20 € |
| 07-19 | VR6500-SPG.W8-DIN-1 | SPRING WASHER | 4 | 0,20 € |
| 07-20 | VR6500-HS.B-M8x16-8.8-GB-1 | SCREW | 4 | 0,25 € |
| 07-21 | VR6500-6.5D-070200 | HOSE | 4 | 12,54 € |
| 07-22 | VR6500-90BII-000005 | TEE COUPLING | 2 | 20,70 € |
| 07-23 | VR6500-90BII-000001 | HOSE NIPPLE | 2 | 10,66 € |



VR6500-08 BATTERY UNIT

| NO. | PART NO. | PART DESCRIPTION | QTY | UNIT PRICE (EURO) 2021 |
|-------|----------------------------|------------------|-----|------------------------|
| 08-1 | VR6500-650-080100 | ANODE CAP | 1 | 5,01 € |
| 08-2 | VR6500-650-080300 | ANODE WIRE | 1 | 47,04 € |
| 08-3 | VR6500-650-080200 | CATHODE CAP | 1 | 5,01 € |
| 08-4 | VR6500-650-080400 | CATHODE WIRE | 1 | 43,26 € |
| 08-5 | VR6500-6.5D-031403 | UNDERLAY | 1 | 2,56 € |
| 08-6 | VR6500-6.5D-000001 | BATTERY | 1 | 166,51 € |
| 08-7 | VR6500-6.5D-031404 | UNDERLAY | 1 | 8,78 € |
| 08-8 | VR6500-HS.B-M8x60-8.8-GB-1 | SCREW | 3 | 0,30 € |
| 08-9 | VR6500-SPG.W8-DIN-1 | SPRING WASHER | 3 | 0,20 € |
| 08-10 | VR6500-650-080500 | BUZZER | 1 | 25,09 € |
| 08-11 | VR6500-PAN.S-M4x6 | PAN HEAD SCREW | 2 | 0,20 € |
| 08-12 | VR6500-SPG.W4-DIN-1 | SPRING WASHER | 2 | 0,20 € |
| 08-13 | VR6500-650-080600 | BUZZER BRACKET | 1 | 2,51 € |
| 08-14 | VR6500-6.5D-031400 | BATTERY BOX | 1 | 11,29 € |



VR6500-09 COVER UNIT

| NO. | PART NO. | PART DESCRIPTION | QTY | UNIT PRICE (EURO) 2021 |
|------|-----------------------------|------------------|-----|------------------------|
| 09-1 | VR6500-650-090200 | COVER | 1 | 92,66 € |
| 09-2 | VR6500-5-31-2253006021 | WEL NUT | 8 | 3,76 € |
| 09-3 | VR6500-FN.B-M6x25-8.8-DIN-1 | BOLT | 8 | 0,15 € |
| 09-4 | VR6500-FNL..W6-GB-1 | LARGE WASHER | 12 | 0,15 € |
| 09-5 | VR6500-650-090110 | RUBBER WASHER | 4 | 2,35 € |
| 09-6 | VR6500-650-090100 | SIDE COVER | 1 | 59,26 € |

