

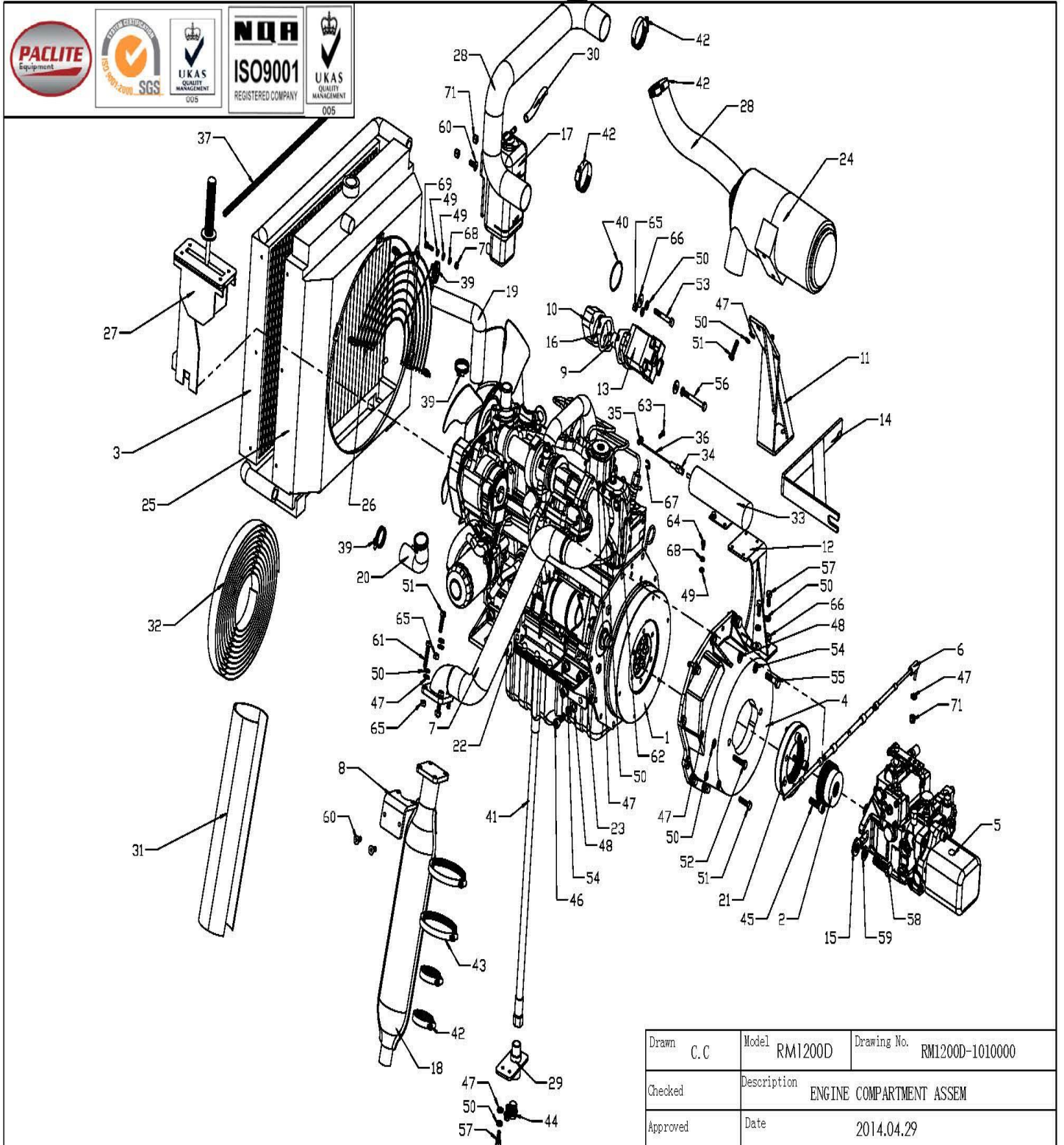
## RM1200D RIDE ON ROLLER BOM

NO.	PART NO.	PART DESCRIPTION	QTY.	UNIT PRICE (EUR) 2021
101	RM1200D-1010000	ENGINE COMPARTMENT ASSM	1	
201	RM1200D-2010000	STEERING ASSM	1	
202	RM1200D-2020000	HYDRAULIC LINE ASSM	1	
301	RM1200D-3010000	BACK FRAME ASSM	1	
302	RM1200D-3020000	DRUM VIBRATION ASSM	2	
303	RM1200D-3030000	FRONT FRAME ASSM	1	
304	RM1200D-3040000	HYDRAULIC TANK ASSM	1	
305	RM1200D-3050000	SCRAPPER ASSM INNER	2	
306	RM1200D-3060000	SCRAPPER ASSM OUTER	2	
307	RM1200D-3070000	ARTICULATION JOINT ASSM	1	
308	RM1200D-3080000	ROPS ASSM	1	
309	RM1200D-3090000	ARTI ARM ASSM	1	
310	RM1200D-3100000	FUEL TANK ASSM	1	
312	RM1200D-3120000	OPERATOR SEAT	1	
401	RM1200D-4010000	SPRINKLER SYSTEM ASSM	1	
501	RM1200D-5010000	BATTERY ASSM	1	

# 101) ENGINE COMPARTMENT ASSEMBLY BOM RM1200D-1010000

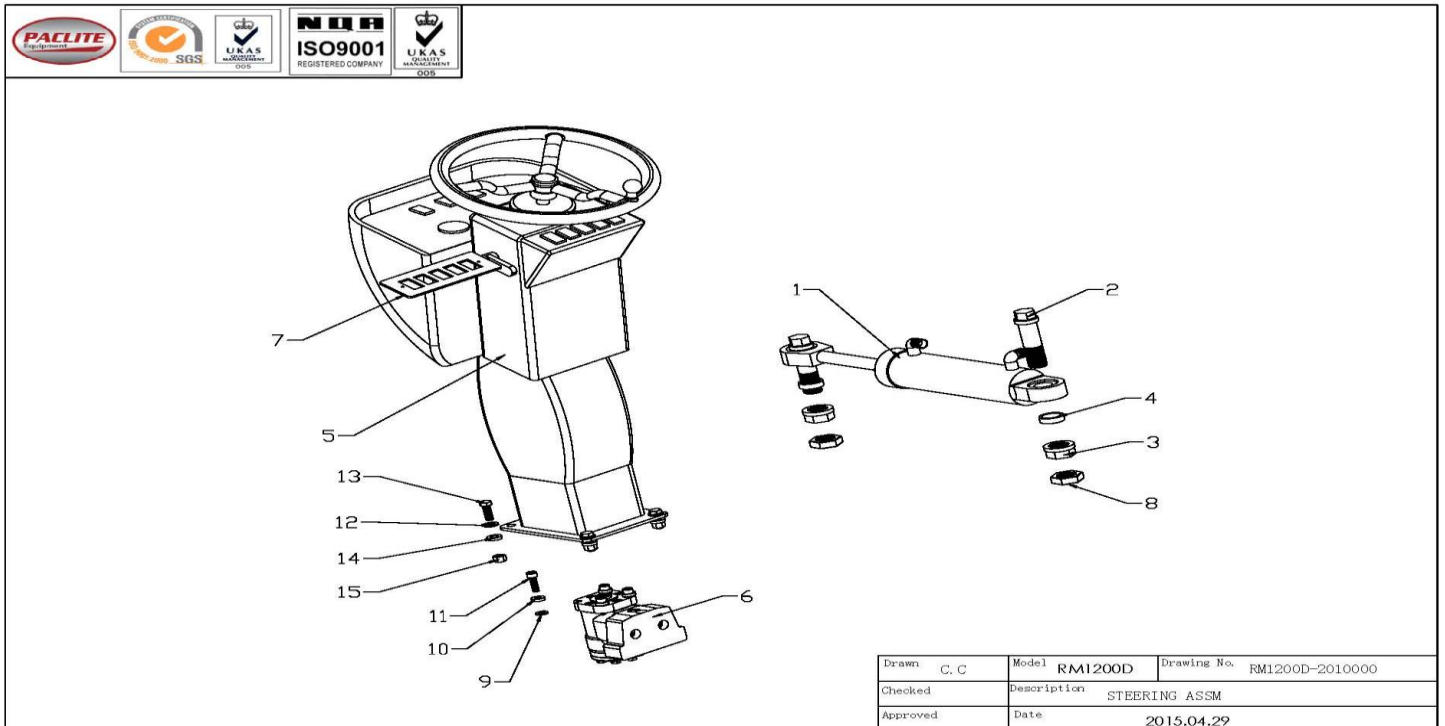
NO.	PART NO.	PART DESCRIPTION	QTY.	UNIT PRICE (EUR) 2021
1	RM1200D-DVR28-1010100	ENGINE V1105T (KUBOTA)	1	
2	RM1200D-DVR28-1010200	FLYWHEEL COUPLING	1	419,42 €
3	RM1200D-DVR28-1010300	RADIATOR GRILLE	1	2 986,11 €
4	RM1200D-DVR28-1010400	FLYWHEEL HOUSING	1	1 143,76 €
5	RM1200D-DVR28-1010500	MAIN AXIAL PUMP	1	10 252,21 €
6	RM1200D-DVR28-1010800	CONTROL CABLE ASSM	1	246,91 €
7	RM1200D-DVR28-1010900	MUFFLER PIPE	1	293,07 €
8	RM1200D-DVR28-1011000	MUFFLER BKT	1	46,04 €
9	RM1200D-DVR28-1011100	AXIS	1	65,67 €
10	RM1200D-DVR28-1011200	SUB-BASE	1	
11	RM1200D-DVR28-1011300	AIR FILTER BKT	1	107,67 €
12	RM1200D-DVR28-1011400	SOLENOID VALVE PLATE	1	114,37 €
13	RM1200D-DVR28-1011500	PUMP	1	3 739,32 €
14	RM1200D-DVR28-1011600	DRIVING CIRCUIT PLATE	1	80,37 €
15	RM1200D-DVR28-1011700	SUB-BASE	2	22,41 €
16	RM1200D-DVR28-1011800	PAPER SPACER	2	3,80 €
17	RM1200D-19091-99233	OVER FLOW TANK	1	434,49 €
18	RM1200D-19091-12045	MUFFLER	1	1 288,80 €
19	RM1200D-16292-72851	RADIATOR INTAKE PIPE	1	83,33 €
20	RM1200D-16292-72941	RADIATOR OUTLET PIPE	1	168,56 €
21	RM1200D-01-1150-0157-01	FLYWHEEL FLANG	1	247,19 €
22	RM1200D-01-1151-0197-01	ENGINE ATTACHEMENT BKT	2	
23	RM1200D-01-1151-1189-01	ENGINE ATTACHEMENT BKT	2	
24	RM1200D-1G994-11011	AIR FILTER	1	1 538,22 €
25	RM1200D-1G992-72061	ASSY RADIATOR	1	
26	RM1200D-1G699-74121	COVER FAN	1	
27	RM1200D-01-5150-0046-01	CONTROL LEVER SE	1	1 459,74 €
28	RM1200D-01-3190-2590-01	AIR INLET PIPE	1	106,36 €
29	RM1200D-01-1191-2558-00	ENGINE OIL DRAIN	1	71,19 €
30	RM1200D-01-1150-2588-01	SPILL PIPE	1	63,31 €
31	RM1200D-01-1150-1423-01	CERAM	1	109,21 €
32	RM1200D-01-1150-1422-01	THERMAL BAFFLE	1	135,93 €
33	RM1200D-01-1150-0086-01	MAGNETIC FORCE	1	1 551,49 €
34	RM1200D-01-1150-3633-00	MAGNETIC FORCE JOINT	1	25,52 €
35	RM1200D-01-1150-3634-00	LINK PIN	1	21,00 €
36	RM1200D-01-1150-3635-01	WIRE-STEEL	1	3,80 €
37	RM1200D-01-3150-2552-01	RUBBER	1	98,51 €
38	RM1200D-HRT888MP-049845	INSERT BUSH	1	24,06 €
39	RM1200D-09318-89039	CLAMP	4	18,94 €
40	RM1200D-04811-10460	O RING	1	67,21 €
41	RM1200D-20411-22-06x1T06x850	HYDRAULIC HOSE	1	
42	RM1200D-HOOP.D40-65	HOOP	6	7,28 €
43	RM1200D-HOOP.D90-140	HOOP	2	21,84 €
44	RM1200D-HHOS.B-G1-2	HEX HEAD PLUG	1	7,28 €
45	RM1200D-HS.B-M10x35x1.25-8.8-DIN-1	SCREW	3	4,56 €
46	RM1200D-HS.B-M10x30x1.25-8.8-GB-1	SCREW	16	5,69 €
47	RM1200D-FN.W8-DIN-1	WASHER	21	0,31 €
48	RM1200D-FN.W10-DIN-1	WASHER	18	0,25 €
49	RM1200D-FN.W6-DIN-1	WASHER	12	0,31 €
50	RM1200D-HSPG.W8-DIN-1	SPRING WASHER,TANG ENDS	25	0,31 €
51	RM1200D-FN.B-M8x30-8.8-DIN-1	BOLT	9	0,50 €
52	RM1200D-FN.B-M8x35-8.8-DIN-1	BOLT	3	0,50 €
53	RM1200D-FN.B-M8x55-8.8HALF-DIN-2	BOLT	1	0,44 €
54	RM1200D-HSPG.W10-DIN-1	SPRING WASHER,TANG ENDS	18	0,25 €
55	RM1200D-FN.B-M10x1.25x35-8.8-DIN-1	BOLT	2	1,50 €
56	RM1200D-FN.B-M8x70-8.8HALF-DIN-2	BOLT	1	1,31 €
57	RM1200D-FN.B-M8x20-8.8-DIN-1	BOLT	4	0,31 €

58	RM1200D-FN.B-M14x45-8.8-DIN-1	BOLT	2	2,44 €
59	RM1200D-HSPG.W14-DIN-1	SPRING WASHERTANG ENDS	2	0,44 €
60	RM1200D-HSF.S-M8x20-8.8-DIN-1	SOCKET COUNTERSUNK HEADSCREW	4	0,56 €
61	RM1200D-FN.B-M8x40-8.8-DIN-1	BOLT	2	0,31 €
62	RM1200D-FN.B-M8x25-8.8-DIN-1	BOLT	4	0,38 €
63	RM1200D-FN.B-M5x16-8.8-DIN-1	BOLT	1	0,31 €
64	RM1200D-FN.B-M6x10-8.8-DIN-1	BOLT	4	0,31 €
65	RM1200D-FN.N-M8-DIN-1	NUT	4	0,31 €
66	RM1200D-WOD.W8-GB-1	WASHER	4	0,31 €
67	RM1200D-ET.RG8	BEAD FLANGE	1	0,69 €
68	RM1200D-HSPG.W6-DIN-1	SPRING WASHERTANG ENDS	8	0,31 €
69	RM1200D-FN.B-M6x20-8.8-DIN-1	BOLT	4	0,31 €
70	RM1200D-FN.N-M6-DIN-1	NUT	4	0,31 €
71	RM1200D-IN.N-M8-DIN-1	LOCK NUT	3	0,31 €



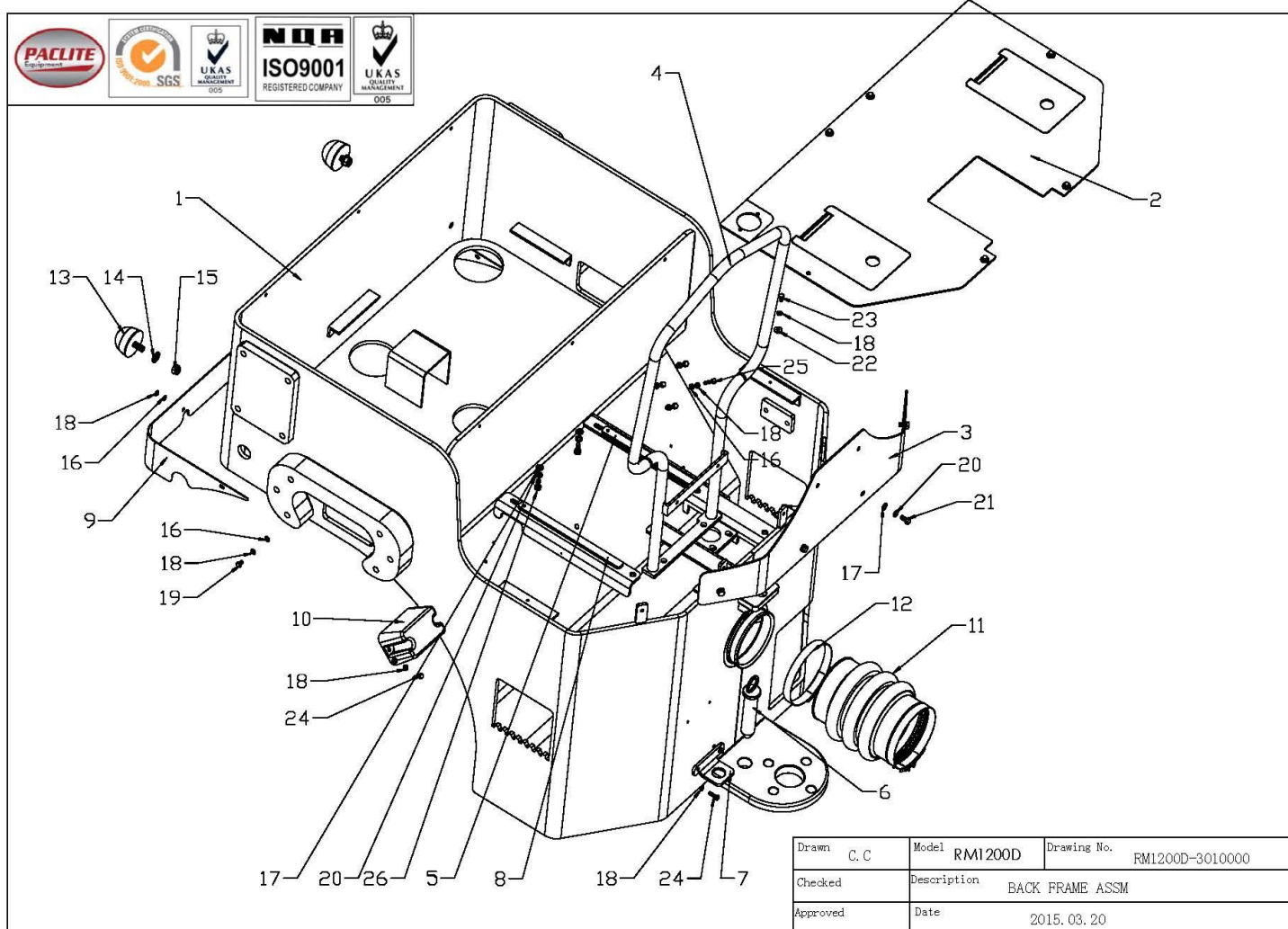
# 201) STEERING ASSEMBLY BOM RM1200D-2010000

NO.	PART NO.	PART DESCRIPTION	QTY.	UNIT PRICE (EUR) 2021
1	RM1200D-DVR28-2010100	STEERING CYLINDER	1	2 243,59 €
	01-2160-0212-00	STEERING COLUMN	1	
	01-2160-0213-00	SHAFT (STEERING COLUMN)	1	
	01-2160-0215-01	BEARING (STEERING COLUMN)	1	
	CS.RG20	EXTERNAL CIRCLIP	2	
	01-2160-0216-00	COVER (STEERING COLUMN)	1	
	01-2160-0217-00	WASHER	1	
	01-2150-1450-01	WIRE (STEERING COLUMN)	1	
2	RM1200D-DVR28-2010200	CYLINDER PIN	2	91,00 €
	502-1381-FKS-1		1	
	FKS-1		1	
3	RM1200D-DVR28-2010300	NUT	2	67,93 €
	01-2160-0060-11-1		1	
	01-2160-0060-11 PART-cylinder		1	
	01-2160-0060-11 PART-cap		1	
	01-2160-0060-11 PART-cap welding fill		1	
	01-2160-0060-11 PART-oil port 1		1	
	01-2160-0060-11 PART-oil port 2		1	
	01-2160-0060-11 PART-cap side seal		1	
	01-2160-0060-11 PART-rod side seal		1	
	01-2160-0060-11-2		1	
	01-2160-0060-11 PART-rod		1	
	01-2160-0060-11 PART-rod side ear 6mm less		1	
4	RM1200D-DVR28-2010400	CYLINDER COLLAR	2	7,37 €
5	RM1200D-DVR28-2010500	DIRECTIONAL CONTROL ASSEMBLY	1	3 205,13 €
6	RM1200D-DVR28-2010700	STEERING BOX	1	1 267,81 €
7	RM1200D-DVR28-2010800	SWITCH BOARD	1	60,19 €
8	RM1200D-FNL.N-M30x2-DIN-2	NUT	2	5,69 €
9	RM1200D-FN.W10-DIN-1	WASHER	4	0,25 €
10	RM1200D-HSPG.W10-DIN-1	SPRING WASHER,TANG ENDS	4	0,25 €
11	RM1200D-HS.B-M10x35-8.8-GB-1	SCREW	4	0,56 €
12	RM1200D-FN.W12-DIN-1	WASHER	4	0,38 €
13	RM1200D-FN.B-M12x35-8.8-DIN-1	BOLT	4	0,88 €
14	RM1200D-HSPG.W12-DIN-1	SPRING WASHER,TANG ENDS	4	0,31 €
15	RM1200D-FN.N-M12-DIN-1	NUT	4	0,38 €



# 301) BACK FRAME ASSEMBLY BOM RM1200D-3010000

NO.	PART NO.	PART DESCRIPTION	QTY.	UNIT PRICE (EUR) 2021
1	RM1200D-DVR28-3010100	BACK FRAME WELDING	1	5 580,65 €
2	RM1200D-DVR28-3010300	FOOT PLATE ASSM	1	373,37 €
3	RM1200D-DVR28-3010400	PROTECTIVE FRAME	1	197,22 €
4	RM1200D-DVR28-3010600	PROTECTIVE FRAME	1	266,78 €
5	RM1200D-DVR28-3010700	WEB PLATE	1	147,96 €
6	RM1200D-DVR28-3010800	LOCK PIN	1	98,48 €
7	RM1200D-DVR28-3010900	LOCK PIN BKT	1	36,00 €
8	RM1200D-DVR28-3011000	WEB PLATE	1	141,89 €
9	RM1200D-DVR28-3030900	BEZEL	1	176,74 €
10	RM1200D-01-5150-0081-01	BACK ALARM	1	427,35 €
11	RM1200D-RAM50ND-030016	BELLOW	1	246,23 €
12	RM1200D-RAM50ND-030013	BELLOW HOOP	2	40,33 €
13	RM1200D-BEN35-021400	BUFFER BLOCK	2	158,28 €
14	RM1200D-FN.W12-DIN-1	WASHER	2	0,38 €
15	RM1200D-IN.N-M12-DIN-1	LOCK NUT	2	0,69 €
16	RM1200D-FN.W6-DIN-1	WASHER	10	0,31 €
17	RM1200D-FN.W8-DIN-1	WASHER	6	0,31 €
18	RM1200D-HSPG.W6-DIN-1	SPRING WASHER,TANG ENDS	18	0,31 €
19	RM1200D-FN.B-M6x10-8.8-DIN-1	BOLT	4	0,31 €
20	RM1200D-HSPG.W8-DIN-1	SPRING WASHER,TANG ENDS	6	0,31 €
21	RM1200D-FN.B-M8x16-8.8-DIN-1	BOLT	4	0,31 €
22	RM1200D-WOD.W6-GB-1	WASHER	6	2,00 €
23	RM1200D-FN.B-M6x12-8.8-DIN-1	BOLT	6	0,38 €
24	RM1200D-FN.B-M6x20-8.8-DIN-1	BOLT	4	0,31 €
25	RM1200D-FN.B-M6x30-8.8-DIN-1	BOLT	4	0,31 €
26	RM1200D-FN.B-M8x20-8.8-DIN-1	BOLT	2	0,31 €

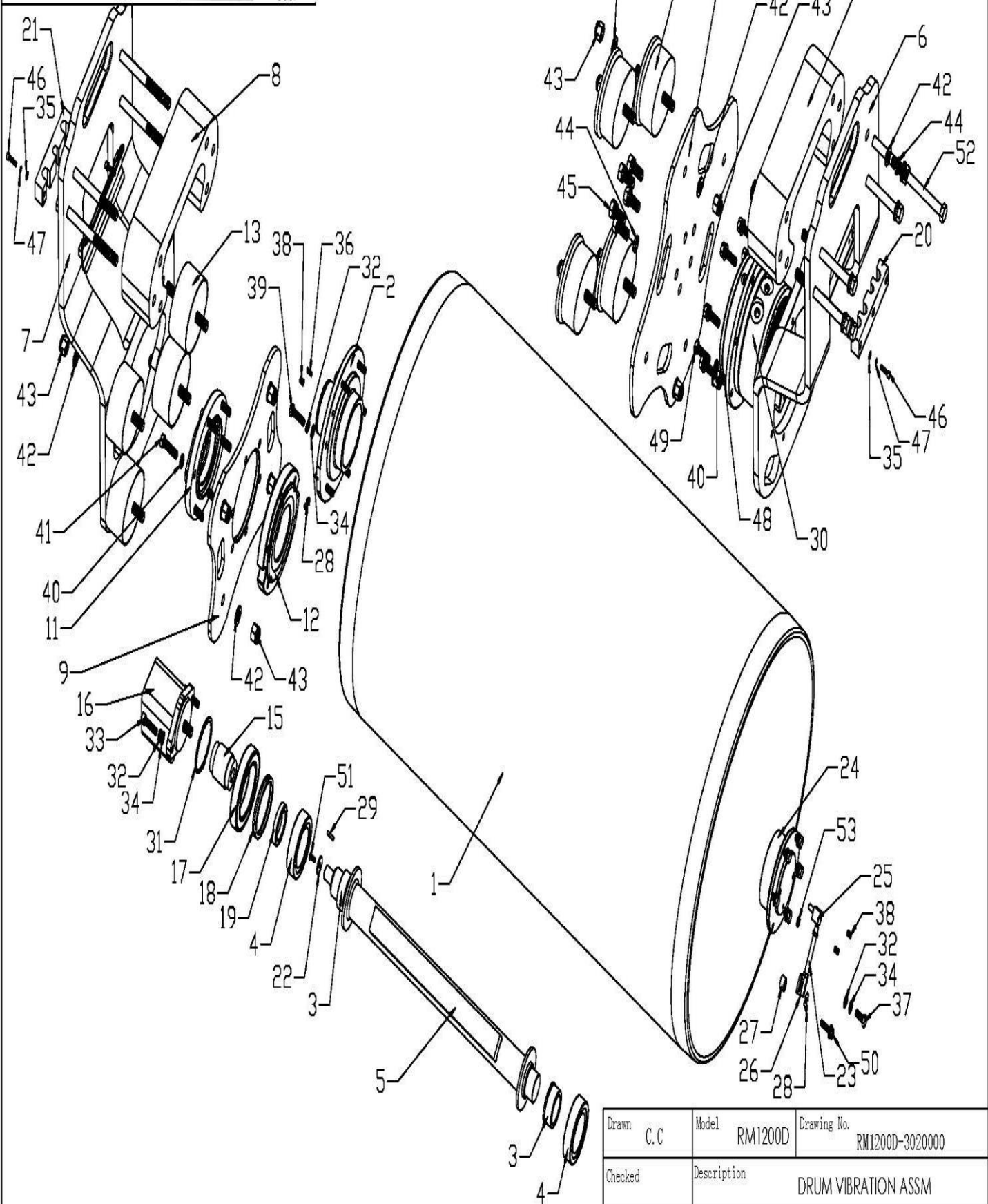


Drawn	C. C	Model	RM1200D	Drawing No.	RM1200D-3010000
Checked		Description	BACK FRAME ASSM		
Approved		Date	2015. 03. 20		

### 03) DRUM VIBRATION ASSEMBLY BOM RM1200D-3020000

NO.	PART NO.	PART DESCRIPTION	QTY.	UNIT PRICE (EUR) 2021
1	RM1200D-DVR28-3020100	DRUM ASSM	1	7 308,30 €
2	RM1200D-DVR28-3020200	VIB PLATE	1	255,11 €
3	RM1200D-01-3130-0093-01	ROLLER BEARING (INNER RING)	2	291,23 €
4	RM1200D-01-3130-0093-01	ROLLER BEARING (OUTER RING)	2	291,23 €
5	RM1200D-DVR28-3020400	VIBRATION ROD	1	499,33 €
6	RM1200D-DVR28-3020500	DRUM SUPPORT WELD	1	1 353,50 €
7	RM1200D-DVR28-3020600	DRUM SUPPORT WELD	1	1 238,37 €
8	RM1200D-DVR28-3020700	DRUM SUPPORT	2	665,75 €
9	RM1200D-DVR28-3020800	SUPPORT PLATE	1	401,40 €
10	RM1200D-DVR28-3020900	DRUM SUPPORT PLATE	1	775,08 €
11	RM1200D-DVR28-3021000	VIB PLATE	1	264,41 €
12	RM1200D-DVR28-3021100	VIB PLATE	1	266,58 €
13	RM1200D-DVR28-3021200	SHOCK MOUNT	4	164,61 €
14	RM1200D-DVR28-3021300	SHOCK MOUNT	4	215,26 €
15	RM1200D-DVR28-3021400	VIB COUPLING SET	1	370,82 €
16	RM1200D-DVR28-3021500	VIB MOTOR	1	4 297,25 €
17	RM1200D-DVR28-3021600	BALL BEARING	1	395,82 €
18	RM1200D-DVR28-3021700	V-RING	1	43,43 €
19	RM1200D-DVR28-3021800	OIL SEAL	1	14,28 €
20	RM1200D-DVR28-3021900	TRAVEL NIPPERS	1	204,85 €
21	RM1200D-DVR28-3022000	VIBRATION NIPPERS	1	204,85 €
22	RM1200D-DVR28-3022100	ROD BOARD	1	11,78 €
23	RM1200D-DVR28-3022200	PIPE	1	94,97 €
24	RM1200D-DVR28-3022300	VIB PLATE	1	
25	RM1200D-DVR28-3022400	HOSE NIOOLER	1	80,52 €
26	RM1200D-DVR28-3022500	HOSE NIOOLER	1	41,00 €
27	RM1200D-DVR28-3022600	WASHER	1	7,74 €
28	RM1200D-01-3130-0161-01	45 & 90 deg GREASE NIPPLE	2	5,38 €
29	RM1200D-01-3130-0163-10	KEY (VIB SHAFT)	1	28,70 €
30	RM1200D-01-2000-0056-01	DRIVE MOTOR	1	5 440,48 €
31	RM1200D-CS.RG85	EXTERNAL CIRCLIP	1	6,00 €
32	RM1200D-HSPG.W10-DIN-1	SPRING WASHER,TANG ENDS	15	0,25 €
33	RM1200D-HS.B-M10x40-8.8-GB-1	SCREW	2	0,38 €
34	RM1200D-FN.W10-DIN-1	WASHER	15	0,25 €
35	RM1200D-FN.W6-DIN-1	WASHER	5	0,31 €
36	RM1200D-FHSS.S-M6x16-GB-3	GRUB SCREW	2	0,31 €
37	RM1200D-FN.B-M10x25-8.8-DIN-1	BOLT	6	0,38 €
38	RM1200D-FHSS.S-M8x12-GB-3	GRUB SCREW	4	0,31 €
39	RM1200D-FN.B-M10x40-8.8-DIN-1	BOLT	6	0,50 €
40	RM1200D-HSPG.W12-DIN-1	SPRING WASHER,TANG ENDS	13	0,31 €
41	RM1200D-FN.B-M12x45-12.9-DIN-3	BOLT	6	1,63 €
42	RM1200D-FN.W16-DIN-1	WASHER	28	0,38 €
43	RM1200D-IN.N-M16-DIN-1	LOCK NUT	16	1,50 €
44	RM1200D-HSPG.W16-DIN-1	SPRING WASHER,TANG ENDS	17	0,75 €
45	RM1200D-FN.B-M16x35-8.8-DIN-1	BOLT	5	1,63 €
46	RM1200D-HS.B-M6x25-8.8-GB-1	SCREW	5	0,38 €
47	RM1200D-HSPG.W6-DIN-1	SPRING WASHER	5	0,31 €
48	RM1200D-FN.W12-DIN-1	WASHER	7	0,38 €
49	RM1200D-FN.B-M12x40-8.8-DIN-1	BOLT	7	0,56 €
50	RM1200D-FN.B-M8x35-8.8-DIN-1	BOLT	1	0,50 €
51	RM1200D-HSF.S-M6x16-8.8-DIN-1	SOCKET COUNTERSUNK HEAD SCREW	1	0,38 €
52	RM1200D-FN.B-M16x170-12.9HALF-DIN-3	BOLT	12	21,06 €
53	RM1200D-FNL.N-M8-DIN-1	HEXAGON THIN NUT	1	0,38 €



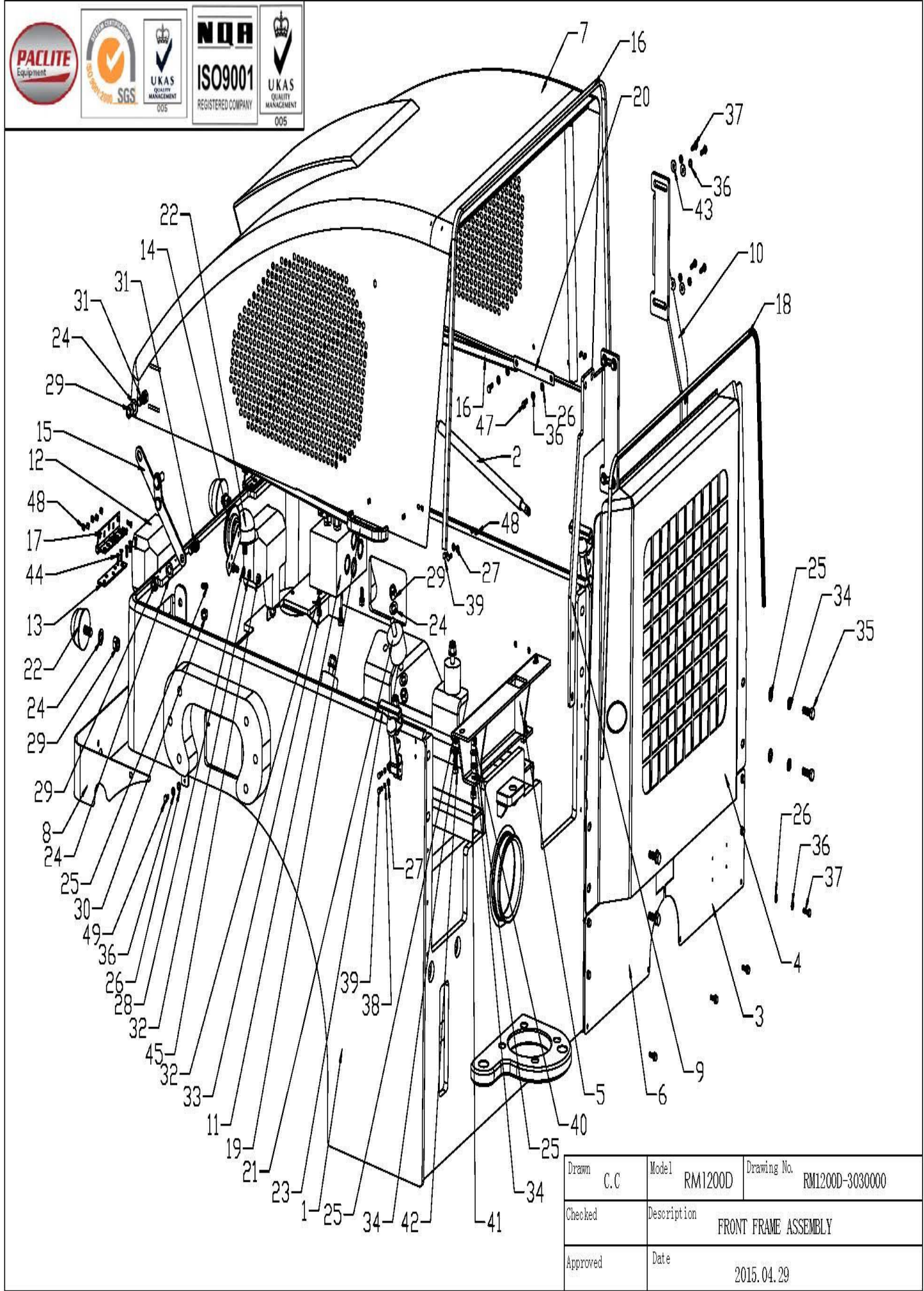


Drawn	C. C	Model	RM1200D	Drawing No.	RM1200D-3020000
Checked		Description	DRUM VIBRATION ASSM		
Approved		Date	2015.04.29		

### 303) FRONT FRAME ASSEMBLY BOM RM1200D-3030000

NO.	PART NO.	PART DESCRIPTION	QTY.	UNIT PRICE (EUR) 2021
1	RM1200D-DVR28-3030100	FRONT FRAME WELDING	1	5 133,01 €
2	RM1200D-01-3150-0083-01	GAS SPRING	1	205,13 €
3	RM1200D-DVR28-3030400	COVER PLATE (FUEL TANK)	1	75,78 €
4	RM1200D-DVR28-3030500	RADIATOR COVER	1	474,55 €
5	RM1200D-DVR28-3030600	RADIATOR FRAME	1	197,22 €
6	RM1200D-DVR28-3030700	COVER PLATE (FUEL TANK)	1	67,81 €
7	RM1200D-DVR28-3030800	HOOD ASSEMBLY	1	1 517,00 €
8	RM1200D-DVR28-3030900	SCATTER SHIELD	1	298,37 €
9	RM1200D-DVR28-3031100	RADIATOR RIGHT FRAME	1	155,85 €
10	RM1200D-DVR28-3031200	RADIATOR LEFT FRAME	1	250,93 €
11	RM1200D-DVR28-3040200	control valve	1	1 139,60 €
12	RM1200D-01-5150-0078-01	HEAD LIGHT	2	384,62 €
13	RM1200D-01-3190-3652-00	SHIM	2	24,07 €
14	RM1200D-01-5150-1425-01	VEHICLE HORN	1	236,63 €
15	RM1200D-01-3191-1298-00	HOOD SUPPORTING MECHANISM	1	88,30 €
16	RM1200D-01-3150-2551-01	RUBBER BEADING (4100MM)	3	171,00 €
17	RM1200D-01-3190-0089-01	HINGE	2	79,14 €
18	RM1200D-01-3150-2552-01	HIGH RUBBER BEADING (1725MM )	1	98,51 €
19	RM1200D-01-3150-1410-01	HOOD HANDLE	2	28,00 €
20	RM1200D-01-3190-1527-00	HOOD HANDLE BKT	2	12,81 €
21	RM1200D-CPT90B-030100	ENGINE SHOCK MOUNT	4	56,98 €
22	RM1200D-BEN35-021400	BUMP STOP	3	158,28 €
23	RM1200D-ROL500S-010505	BUCKLE ASSM	2	50,65 €
24	RM1200D-FN.W12-DIN-1	WASHER	12	0,38 €
25	RM1200D-FN.W10-DIN-1	WASHER	10	0,25 €
26	RM1200D-FN.W6-DIN-1	WASHER	14	0,31 €
27	RM1200D-FN.W5-DIN-1	WASHER	8	0,31 €
28	RM1200D-FN.W8-DIN-1	WASHER	1	0,31 €
29	RM1200D-IN.N-M12-DIN-1	LOCK NUT	12	0,69 €
30	RM1200D-IN.N-M10-DIN-1	LOCK NUT	2	0,38 €
31	RM1200D-FN.B-M12x30-8.8-DIN-1	BOLT	2	1,38 €
32	RM1200D-HSPG.W8-DIN-1	SPRING WASHER,TANG ENDS	5	0,31 €
33	RM1200D-FN.B-M8x20-8.8-DIN-1	BOLT	4	0,31 €
34	RM1200D-HSPG.W10-DIN-1	SPRING WASHER,TANG ENDS	8	0,25 €
35	RM1200D-FN.B-M10x30-8.8-DIN-1	BOLT	4	0,56 €
36	RM1200D-HSPG.W6-DIN-1	SPRING WASHER,TANG ENDS	22	0,31 €
37	RM1200D-FN.B-M6x20-8.8-DIN-1	BOLT	16	0,31 €
38	RM1200D-SPG.W5-DIN-1	SPRING WASHER	4	0,38 €
39	RM1200D-FN.B-M5x16-8.8-DIN-1	BOLT	8	0,31 €
40	RM1200D-FN.N-M10-DIN-1	NUT	2	0,38 €
41	RM1200D-FN.B-M10x25-8.8-DIN-1	BOLT	2	0,38 €
42	RM1200D-FN.B-M10x20-8.8-DIN-1	BOLT	2	0,38 €
43	RM1200D-WOD.W6-GB-1	WASHER	8	2,00 €
44	RM1200D-F.S-M5x16-DIN-1	COUNTERSUNK HEAD SCREW	20	0,38 €
45	RM1200D-FN.N-M8-DIN-1	NUT	1	0,31 €
46	RM1200D-FN.B-M8x16-8.8-DIN-1	BOLT	1	0,31 €
47	RM1200D-FN.B-M6x16-8.8-DIN-1	BOLT	4	0,31 €
48	RM1200D-IN.N-M5-DIN-1	LOCK NUT	14	0,38 €
49	RM1200D-FN.B-M6x12-8.8-DIN-1	BOLT	2	0,38 €

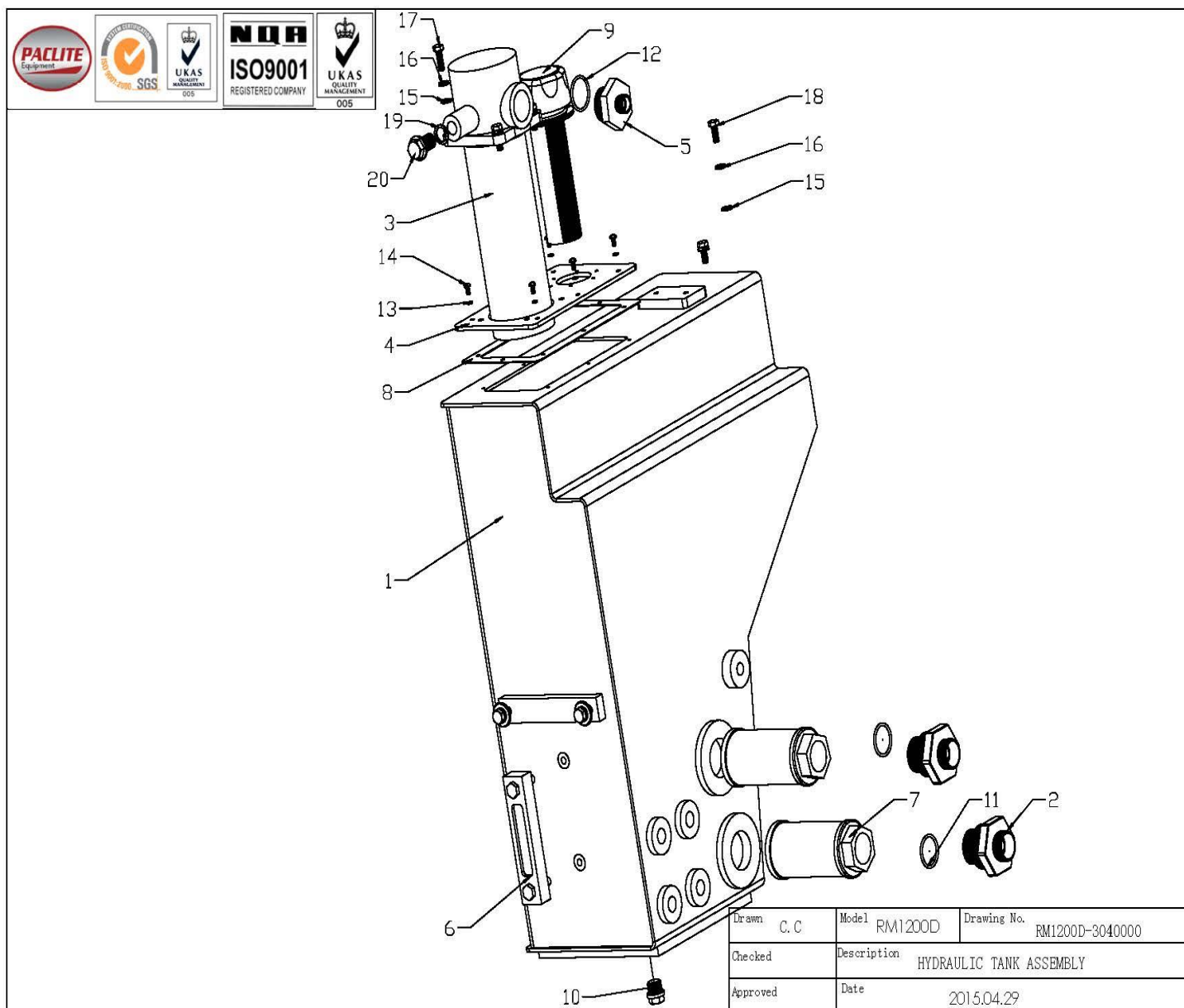




Drawn	C.C	Model	RM1200D	Drawing No.	RM1200D-3030000
Checked		Description	FRONT FRAME ASSEMBLY		
Approved		Date	2015.04.29		

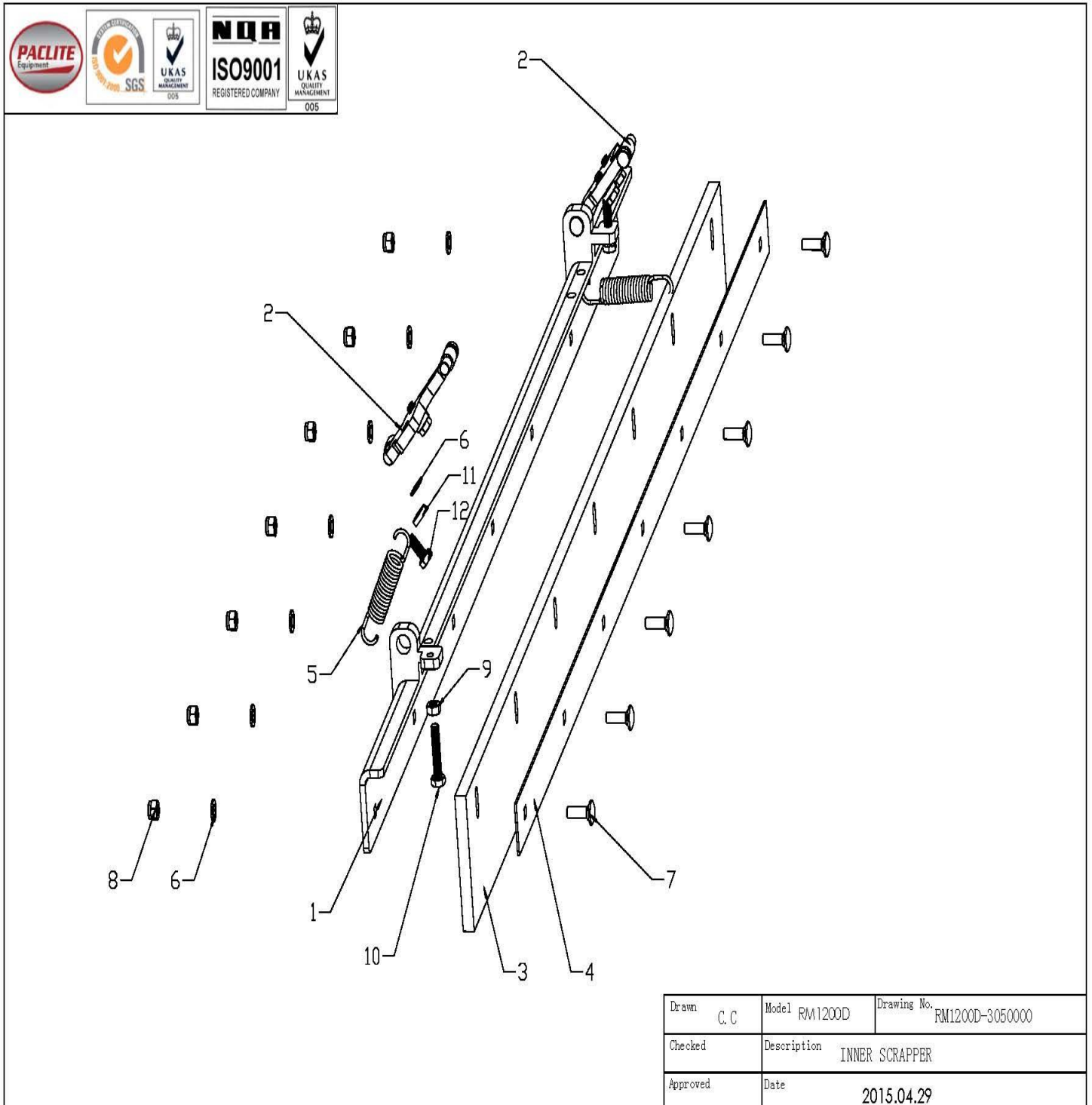
# 304) HYDRAULIC TANK ASSEMBLY BOM RM1200D-3040000

NO.	PART NO.	PART DESCRIPTION	QTY.	UNIT PRICE (EUR) 2021
1	RM1200D-DVR28-3040100	HYDRAULIC TANK WELD	1	1 172,78 €
2	RM1200D-DVR28-3040300	SUCTION CONNECTOR	2	148,56 €
3	RM1200D-DVR28-3040400	RETURN FILTER	1	626,78 €
4	RM1200D-DVR28-3040500	HYDRAULIC TANK COVER	1	125,59 €
5	RM1200D-DVR28-3040600	RETURN FILTER CONNECTOR	1	174,15 €
6	RM1200D-DVR28-3040700	LIQUIDOMETER	1	136,12 €
7	RM1200D-DVR28-3040800	SUCTION FILTER	2	142,45 €
8	RM1200D-01-2200-3649-01	GASKET 2	1	14,56 €
9	RM1200D-01-2150-0098-01	AIR BREATHER FILTER	1	398,86 €
10	RM1200D-4BN-08WD	HEX HEAD PLUG	1	20,58 €
11	RM1200D-W04-34.4*31	O-RING	2	1,55 €
12	RM1200D-W04-37*3	O-RING	1	1,96 €
13	RM1200D-HSPG.W5-DIN-1	SPRING WASHER	6	0,38 €
14	RM1200D-PAN.S-M5x10	PAN HEAD SCREW	6	0,38 €
15	RM1200D-FN.W8-DIN-1	WASHER	6	0,31 €
16	RM1200D-HSPG.W8-DIN-1	SPRING WASHER	6	0,31 €
17	RM1200D-FN.B-M8x25-8.8-DIN-1	BOLT	4	0,38 €
18	RM1200D-FN.B-M8x20-8.8-DIN-1	BOLT	2	0,31 €
19	RM1200D-ZH-D-M18	WASHER	2	1,75 €
20	RM1200D-HHOS.B-M18x1.5	HEXAGON HEAD PLUG	2	7,88 €



# 305) INNER SCRAPER ASSEMBLY BOM RM1200D-3050000

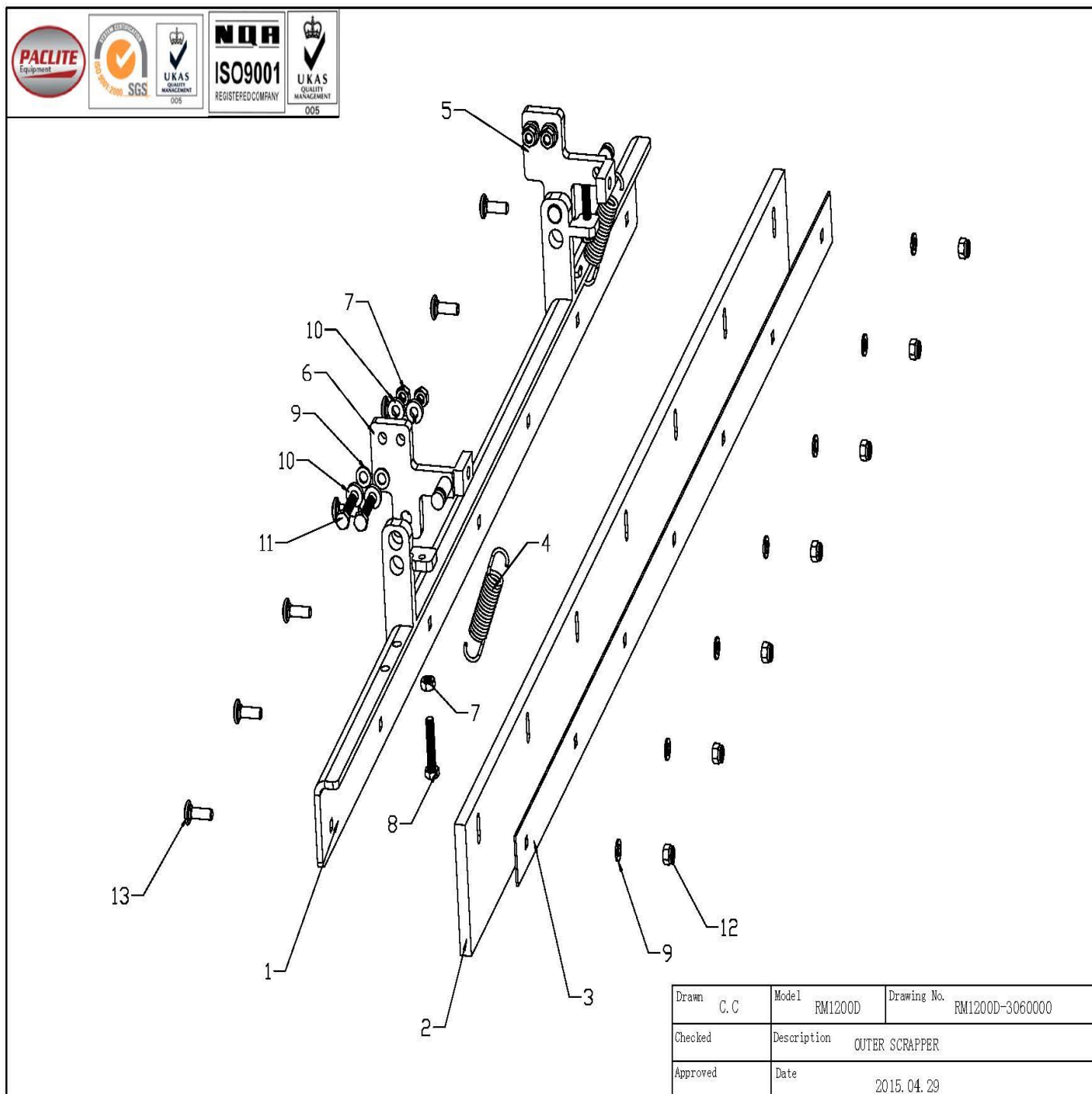
NO.	PART NO.	PART DESCRIPTION	QTY.	UNIT PRICE (EUR) 2021
1	RM1200D-DVR28-3050100	INNER SCRAPER FRAME	1	374,42 €
2	RM1200D-DVR28-3050200	INNER SCRAPER BKT	2	209,11 €
3	RM1200D-DVR28-3060200	SCRAPPER RUBBER	1	436,85 €
4	RM1200D-DVR28-3060300	SCRAPPER RUBBER BKT	1	220,44 €
5	RM1200D-DVR28-3060400	SPRING	2	30,07 €
6	RM1200D-FN.W8-DIN-1	WASHER	11	0,31 €
7	RM1200D-CHSN.B-M8x35-GB-1	BOLT	7	0,69 €
6	RM1200D-IN.N-M8-DIN-1	LOCK NUT	7	0,31 €
9	RM1200D-FN.N-M8-DIN-1	NUT	2	0,31 €
10	RM1200D-FN.B-M8x45-8.8-DIN-1	BOLT	2	0,44 €
11	RM1200D-HSPG.W8-DIN-1	SPRING WASHER	4	0,31 €
12	RM1200D-FN.B-M8x20-8.8-DIN-1	BOLT	4	0,31 €



Drawn	C. C	Model	RM1200D	Drawing No.	RM1200D-3050000
Checked		Description	INNER SCRAPER		
Approved		Date	2015.04.29		

# 306) OUTER SCRAPER ASSEMBLY BOM RM1200D-3060000






NO.	PART NO.	PART DESCRIPTION	QTY.	UNIT PRICE (EUR) 2021
1	RM1200D-DVR28-3060100	OUTER SCRAPER FRAME	1	418,47 €
2	RM1200D-DVR28-3060200	SCRAPER RUBBER	1	436,85 €
3	RM1200D-DVR28-3060300	SCRAPER RUBBER BKT	1	220,44 €
4	RM1200D-DVR28-3060400	SPRING	2	30,07 €
5	RM1200D-DVR28-3060500	OUTER SCRAPER BKT(R)	1	260,78 €
6	RM1200D-DVR28-3060600	OUTER SCRAPER BKT(L)	1	284,11 €
7	RM1200D-FN.N-M8-DIN-1	NUT	6	0,31 €
8	RM1200D-FN.B-M8x45-8.8-DIN-1	BOLT	2	0,44 €
9	RM1200D-FN.W8-DIN-1	WASHER	11	0,31 €
10	RM1200D-HSPG.W8-DIN-1	SPRING WASHER	8	0,31 €
11	RM1200D-FN.B-M8x40-8.8-DIN-1	BOLT	4	0,31 €
12	RM1200D-IN.N-M8-DIN-1	LOCK NUT	7	0,31 €
13	RM1200D-CHSN.B-M8x35-GB-1	BOLT	7	0,69 €

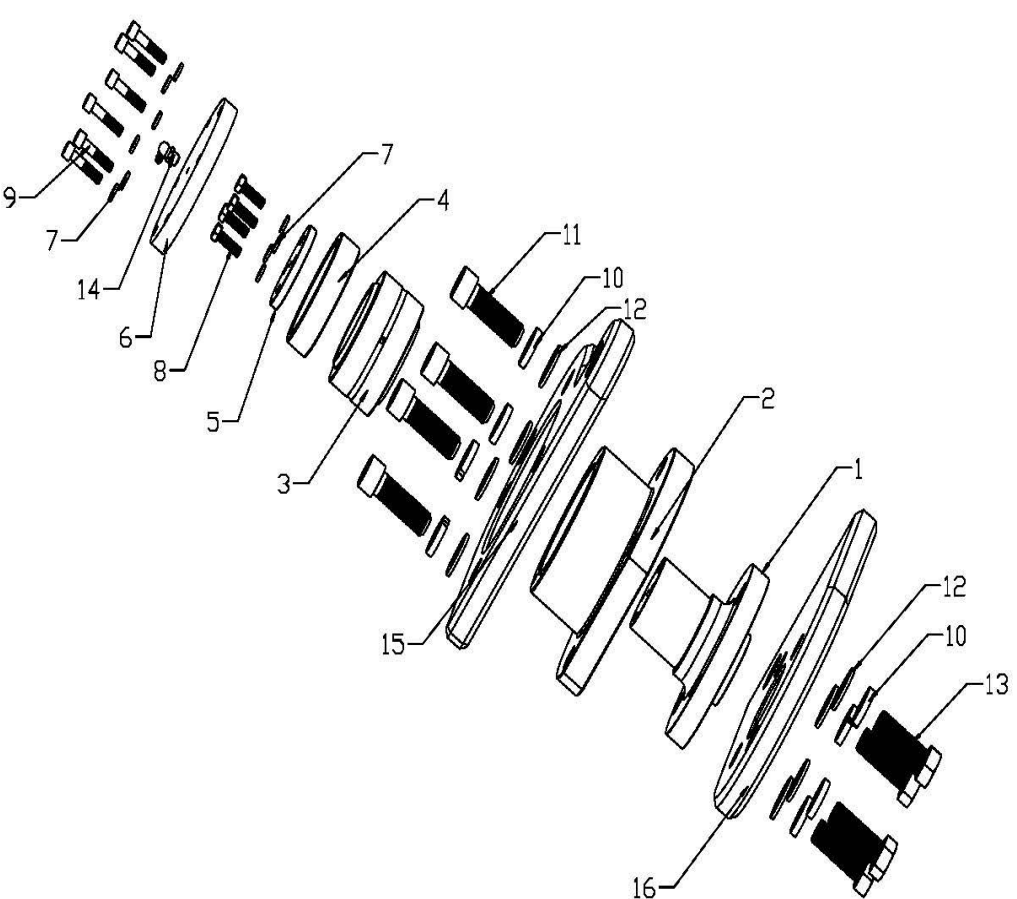




# 307) ARTICULATION JOINT ASSEMBLY BOM RM1200D-3070000

NO.	PART NO.	PART DESCRIPTION	QTY.	UNIT PRICE (EUR) 2021
1	RM1200D-DVR28-3070100	ARTI JOINT INTERNAL SHAFT	1	399,31 €
2	RM1200D-DVR28-3070200	ARTICULATION HOUSING	1	337,33 €
3	RM1200D-DVR28-3070300	SPHERICAL BEARING	1	562,68 €
4	RM1200D-DVR28-3070400	SUPPORT RING		42,70 €
5	RM1200D-DVR28-3070500	TOP COVER	1	34,37 €
6	RM1200D-DVR28-3070600	MAIN COVER	1	124,30 €
7	RM1200D-HSPG.W8-DIN-1	SPRING WASHER,TANG ENDS	10	0,31 €
8	RM1200D-FN.B-M8x25-8.8-DIN-1	BOLT	4	0,38 €
9	RM1200D-HS.B-M8x40-12.9-GB-3	SCREW	6	0,38 €
10	RM1200D-HSPG.W20-DIN-1	SPRING WASHER,TANG ENDS	8	1,56 €
11	RM1200D-HS.B-M20x55-12.9-GB-3	SCREW	4	13,88 €
12	RM1200D-FN.W20-DIN-1	WASHER	8	0,38 €
13	RM1200D-FN.B-M20x55-12.9-DIN-3	BOLT	4	15,50 €
14	RM1200D-01-3130-0162-01	90 DEG GREASE FITTING	1	5,38 €
15	RM1200D-DVR28-3030112	ARTICULATION UPPER PLATE	1	
16	RM1200D-DVR28-3010106	ARTICULATION LOWER PLATE	1	

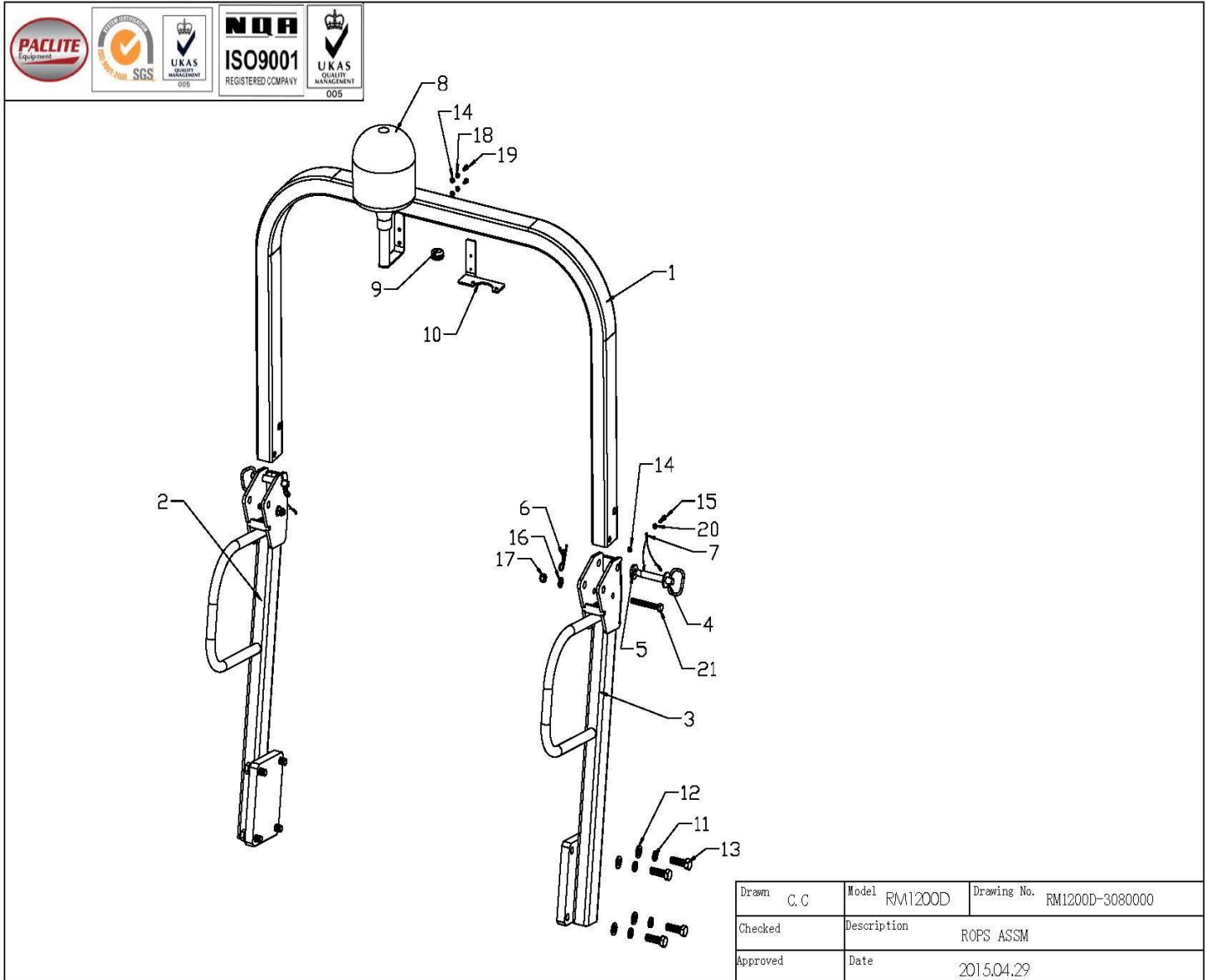


Drawn	C. C	Model	RM1200D	Drawing No.	RM1200D-3070000
Checked		Description	ARTICULATION JOINT ASSM		
Approved		Date	2015.04.29		



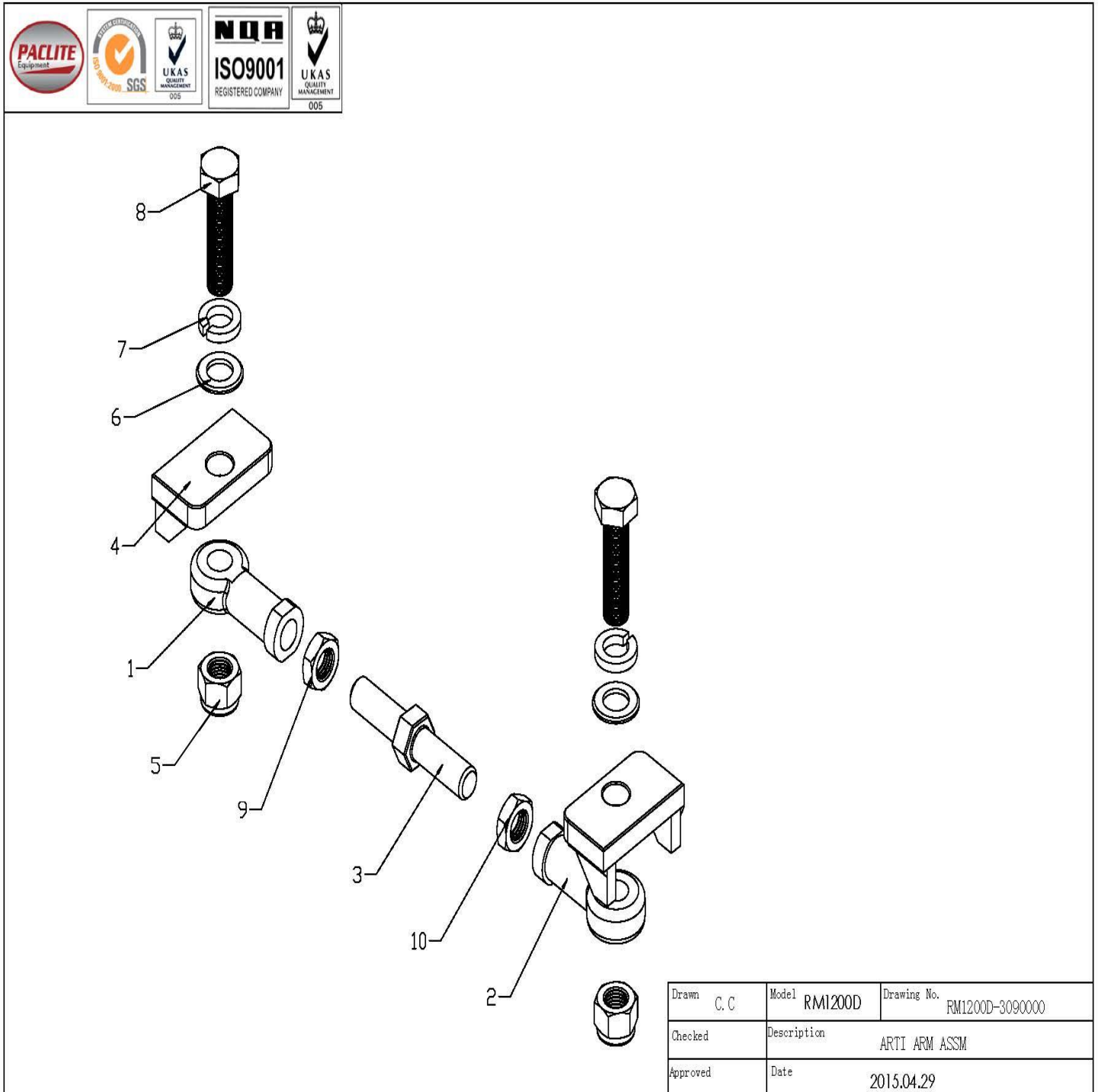
## 07) ROPS ASSEMBLY BOM RM1200D-3080000

NO.	PART NO.	PART DESCRIPTION	QTY.	UNIT PRICE (EUR) 2021
1	RM1200D-DVR28-3080100	ROPS BEND	1	375,67 €
2	RM1200D-DVR28-3080200	ROPS STRAIGHT ®	1	316,11 €
3	RM1200D-DVR28-3080300	ROPS STRAIGHT (L)	1	255,18 €
4	RM1200D-01-3141-1411-00	ROPS PIN SET	2	77,74 €
5	RM1200D-01-3140-1412-00	ROPS PIN DUMPER	2	4,75 €
6	RM1200D-01-3140-0155-01	COTTER PIN	2	10,64 €
7	RM1200D-01-3191-3625-00	HOLDING STRING & CONNECTOR	1	4,75 €
8	RM1200D-01-5150-1417-01	BEACON LIGHT ASSEMBLY	1	462,96 €
9	RM1200D-01-3140-1414-00	WIRE PROTECTION RING	1	9,02 €
10	RM1200D-01-3150-1253-00	BEACON LIGHT BKT	1	44,52 €
11	RM1200D-HSPG.W16-DIN-1	SPRING WASHER,TANG ENDS	8	0,75 €
12	RM1200D-FN.W16-DIN-1	WASHER	8	0,38 €
13	RM1200D-FN.B-M16x50-8.8-DIN-1	BOLT	8	6,13 €
14	RM1200D-FN.W6-DIN-1	WASHER	4	0,31 €
15	RM1200D-FN.B-M6x25-8.8-DIN-1	BOLT	2	0,44 €
16	RM1200D-FN.W12-DIN-1	WASHER	2	0,38 €
17	RM1200D-IN.N-M12-DIN-1	LOCK NUT	2	0,69 €
18	RM1200D-HSPG.W6-DIN-1	SPRING WASHER,TANG ENDS	2	0,31 €
19	RM1200D-FN.B-M6x12-8.8-DIN-1	BOLT	2	0,38 €
20	RM1200D-FN.N-M6-DIN-1	NUT	2	0,31 €
21	RM1200D-FN.B-M12x90-8.8-DIN-1	BOLT	2	2,38 €



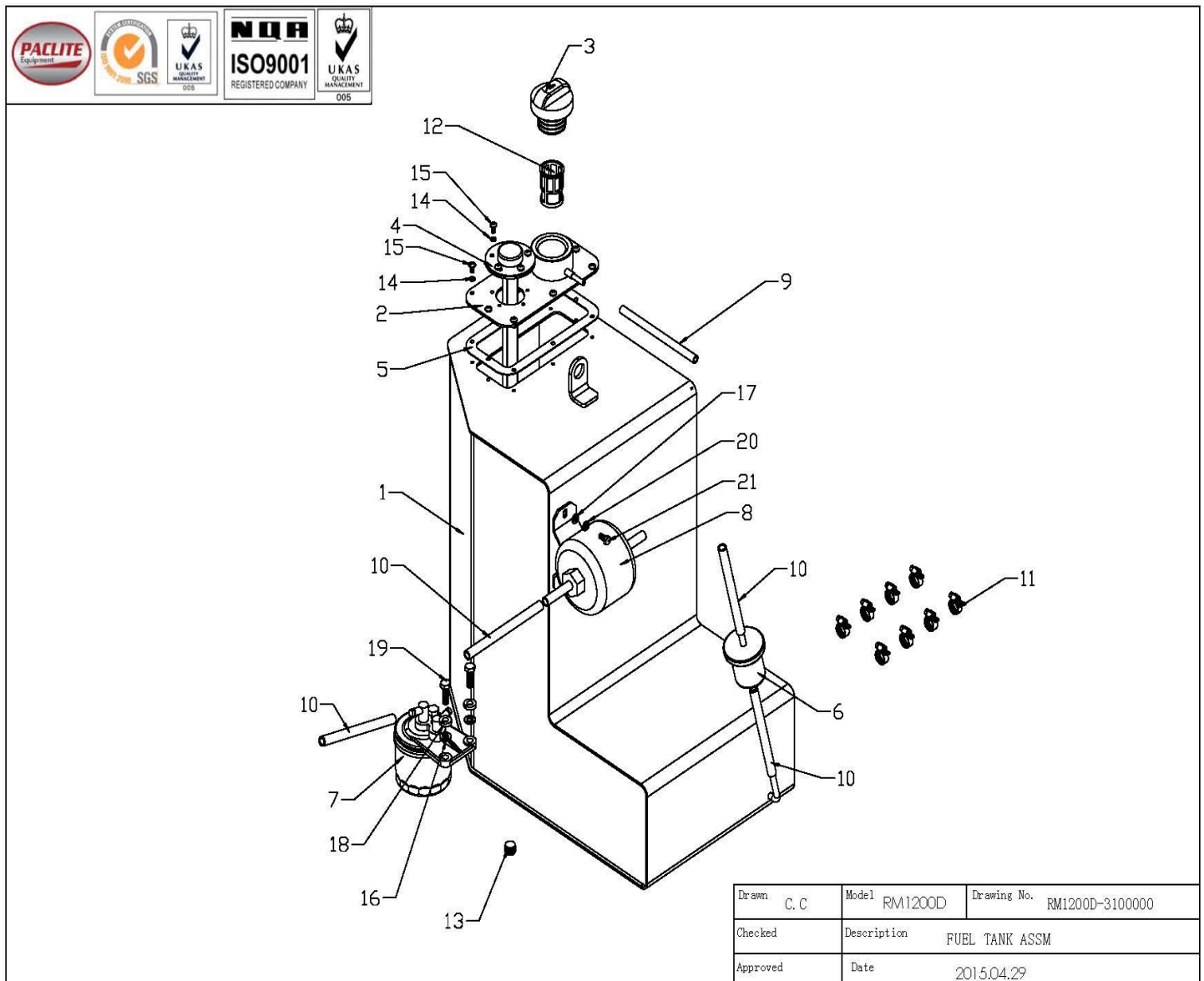
# 309) ARTICULATION ARM ASSEMBLY RM1200D-3090000

NO.	PART NO.	PART DESCRIPTION	QTY.	UNIT PRICE (EUR) 2021
1	01-3191-1437-10	ARTI ARM SUPPORT	2	- €
	01-3190-1438-00	ARTI ARM SUPPORT S PLATE	1	- €
	01-3190-1439-10	ARTI ARM SUPPORT T PLATE	2	- €
1	RM1200D-DVR28-3090100	ARTI ARM BEARING	1	184,87 €
2	RM1200D-DVR28-3090400L	ARTI ARM BEARING	1	184,87 €
3	RM1200D-DVR28-3090200	ARTI SUPPORTING ARM	1	66,67 €
4	RM1200D-DVR28-3090300	ARTI ARM SUPPORT	2	- €
5	RM1200D-IN.N-M20-DIN-1	LOCK NUT	2	3,81 €
6	RM1200D-HSPG.W20-DIN-3	SPRING WASHER	2	1,56 €
7	RM1200D-FN.W20-DIN-1	WASHER	2	0,56 €
8	RM1200D-FN.B-M20x70-12.9-DIN-3	BOLT	2	18,69 €
9	RM1200D-FNL.N-M20x1.5-DIN-2	HEXAGON THIN NUT	1	8,25 €
10	RM1200D-FNL.N-M20x1.5LH-DIN-2	HEXAGON THIN NUT	1	9,50 €



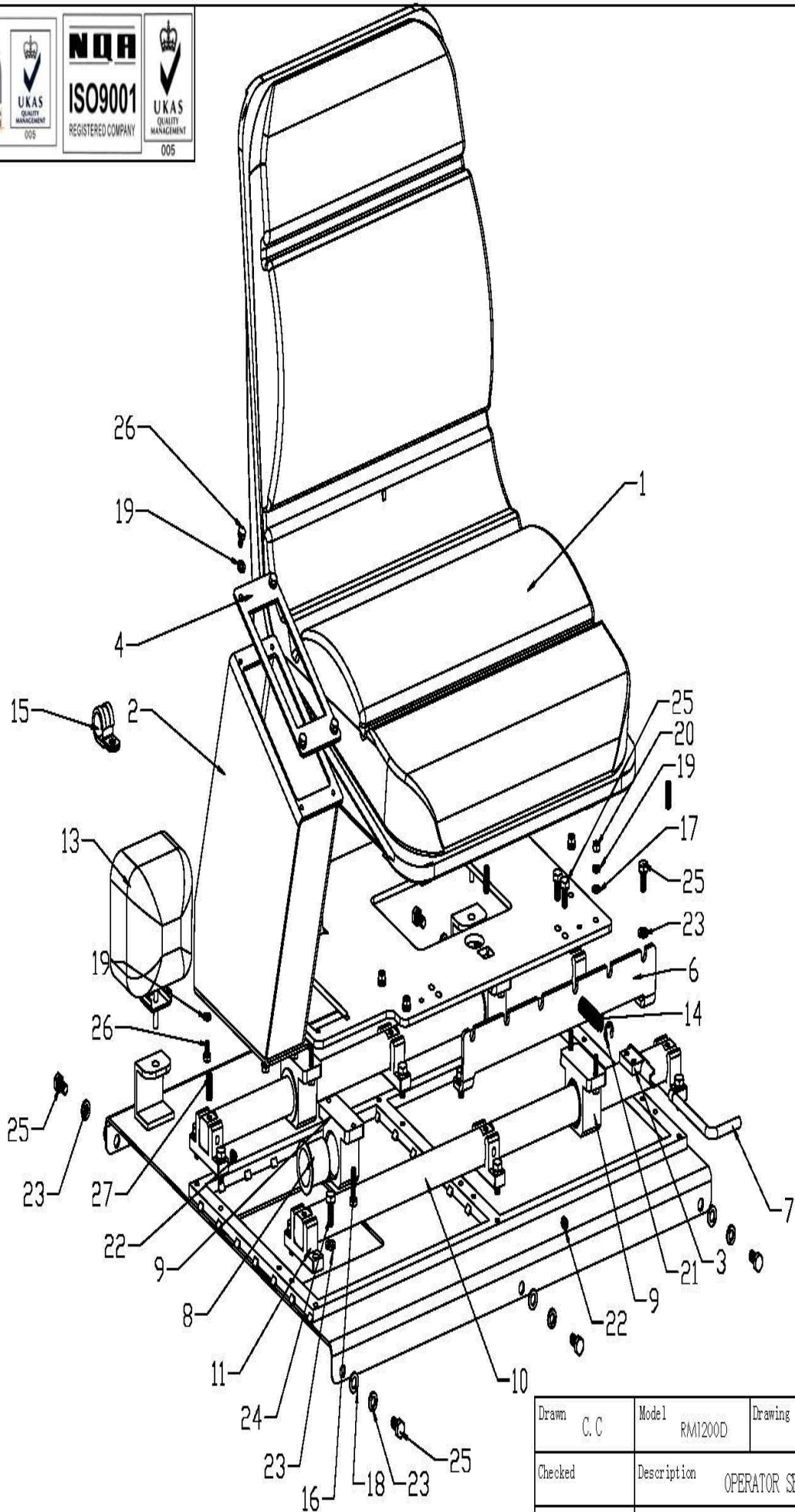
# 310) FUEL TANK ASSEMBLY BOM RM1200D-3100000

NO.	PART NO.	PART DESCRIPTION	QTY.	UNIT PRICE (EUR) 2021
1	RM1200D-DVR28-3100100	FUEL TANK WELDING	1	677,70 €
2	RM1200D-DVR28-3100200	FUEL TANK COVER WELD	1	181,26 €
3	RM1200D-01-3150-1415-01	FUEL TANK CAP WITH LOCK	1	79,14 €
4	RM1200D-DVR28-3100300	FUEL SENSOR	1	
5	RM1200D-01-3200-3648-01	GASKET 1	1	12,03 €
6	RM1200D-01-1150-1512-01	DIESEL FILTER 1	1	70,66 €
7	RM1200D-01-1151-0053-01	DIESEL FILTER 2	1	111,11 €
8	RM1200D-01-1150-1436-01	12V FUEL PUMP	1	519,88 €
9	RM1200D-01-1150-1434-01	DIESEL PIPE	1	12,03 €
10	RM1200D-01-1150-1433-01	DIESEL PIPE	4	136,12 €
11	RM1200D-01-2150-2555-01	Hose Clamp ( Dia 6-16)	8	4,37 €
12	RM1200D-RAM70B-010110	STRAINER	1	358,97 €
13	RM1200D-4BN-06WD	HEXAGONAL SOCKET HEAD PLUG	1	8,86 €
14	RM1200D-SPG.W5-DIN-1	SPRING WASHER	13	0,38 €
15	RM1200D-PAN.S-M5x10	PAN HEAD SCREW	13	0,38 €
16	RM1200D-FN.W8-DIN-1	WASHER	2	0,31 €
17	RM1200D-FN.W6-DIN-1	WASHER	2	0,31 €
18	RM1200D-SPG.W8-DIN-1	SPRING WASHER	2	0,31 €
19	RM1200D-FN.B-M8x25-8.8-DIN-1	BOLT	2	0,38 €
20	RM1200D-HSPG.W6-DIN-1	SPRING WASHER	2	0,31 €
21	RM1200D-FN.B-M6x12-8.8-DIN-1	BOLT	2	0,38 €



## 312) OPERATOR SEAT RM1200D-3120000

NO.	PART NO.	PART DESCRIPTION	QTY.	UNIT PRICE (EUR) 2021
1	RM1200D-01-3000-0096-01	OPERATOR SEAT WITH SAFETY BELT	1	740,74 €
2	RM1200D-DVR28-3120300	CONTROL BOX	1	269,37 €
3	RM1200D-DVR28-3120400	LIMITING STOPPER(	1	50,63 €
4	RM1200D-DVR28-3120500	CONTROL UNIT ATTACHEMENT BKT	1	44,48 €
5	RM1200D-DVR28-3120600	SEAT WEB PLATE	1	293,44 €
6	RM1200D-DVR28-3120700	LIMITING MOUNT	1	65,81 €
7	RM1200D-DVR28-3120800	LIMITING HAND	1	17,30 €
8	RM1200D-DVR28-3121000	PLAIN BEARING	4	29,76 €
9	RM1200D-DVR28-3121100	PLAIN BEARING SEAT	4	221,20 €
10	RM1200D-DVR28-3121200	BEARING AXIS	2	193,52 €
11	RM1200D-DVR28-3121300	BEARING PEDESTAL	6	213,13 €
12	RM1200D-DVR28-3010500	SEAT PLATE	1	520,18 €
13	RM1200D-01-5150-1418-01	REAR LAMP	2	299,15 €
14	RM1200D-947-19.0.033	SPRING	1	0,79 €
15	RM1200D-168M-020604	R	1	11,40 €
16	RM1200D-FN.B-M6x25-8.8-DIN-1	BOLT	12	0,44 €
17	RM1200D-FN.W6-DIN-1	WASHER	12	0,31 €
18	RM1200D-FN.W8-DIN-1	WASHER	6	0,31 €
19	RM1200D-HSPG.W6-DIN-1	SPRING WASHER	20	0,31 €
20	RM1200D-FN.N-M6-DIN-1	NUT	12	0,31 €
21	RM1200D-ET.RG8	CIRLE	1	0,69 €
22	RM1200D-FHSS.S-M8x8-GB-3	SOCKET HEAD SCREW	6	0,38 €
23	RM1200D-HSPG.W8-DIN-1	SPRING WASHER	20	0,31 €
24	RM1200D-FN.B-M8x20-8.8-DIN-1	BOLT	12	0,31 €
25	RM1200D-FN.B-M8x16-8.8-DIN-1	BOLT	10	0,31 €
26	RM1200D-FN.B-M6x10-8.8-DIN-1	BOLT	8	0,31 €
27	RM1200D-FHSS.S-M8x20-GB-3	SOCKET HEAD SCREW	6	3,94 €

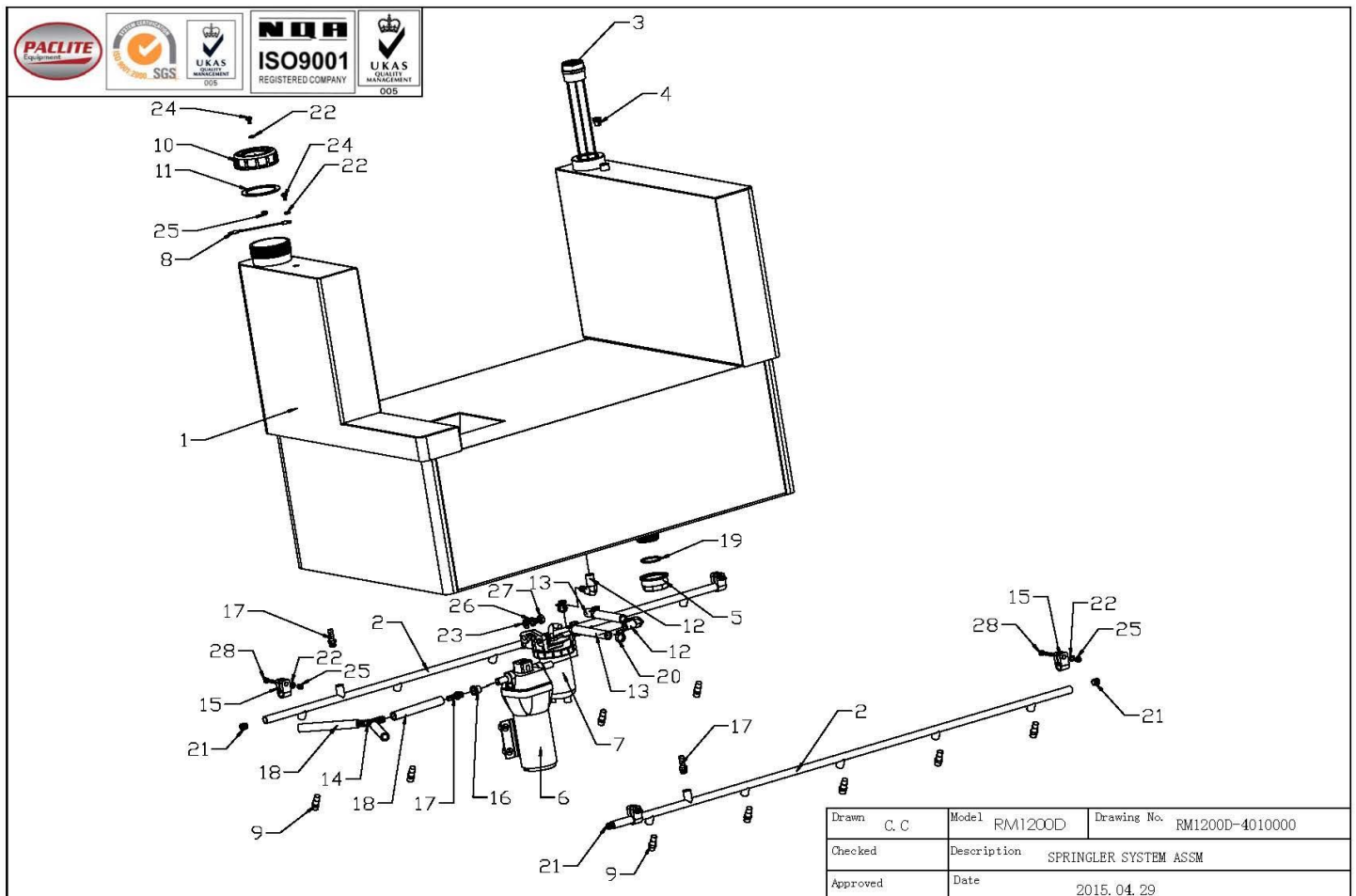


Drawn	C. C	Model	RM1200D	Drawing No.	RM1200D-3120000
Checked		Description	OPERATOR SEAT ASSEM		
Approved		Date	2015.04.29		



# 401) SPRINGLER SYSTEM ASSEMBLY RM1200D-4010000

NO.	PART NO.	PART DESCRIPTION	QTY.	UNIT PRICE (EUR) 2021
1	RM1200D-DVR28-4010100	WATER TANK	1	1 545,17 €
2	RM1200D-DVR28-4010200	LANCE	2	285,93 €
3	RM1200D-DVR28-4010300	LIQUIDOMETER	1	264,10 €
4	RM1200D-DVR28-4010400	PERMEABILITY VALVE	1	47,48 €
5	RM1200D-DVR28-4010500	SEAL	1	7,85 €
6	RM1200D-01-4000-0080-01	DIAPHRAM PUMP	1	436,85 €
7	RM1200D-01-4150-0190-01	WATER FILTER	1	351,00 €
8	RM1200D-01-3191-3627-00	LOCK PIN STRING	1	4,75 €
9	RM1200D-01-4000-2608-01	NOZZLE VALV	10	77,56 €
10	RM1200D-ROL6.5-070108	WATER TANK CAP	1	6,33 €
11	RM1200D-ROL6.5-070109	SEAL,WATER TANK COVER	1	0,95 €
12	RM1200D-HCC20A-030414	WATER TANK TIR-IN	2	14,56 €
13	RM1200D-HCC16-050304	HOSE	2	15,83 €
14	RM1200D-HRT168-048652	CONNECTOR	1	14,25 €
15	RM1200D-CPT90P-010901	HOOP	4	6,33 €
16	RM1200D-HRT168-047934	CONNECTOR	1	37,00 €
17	RM1200D-HRT168-047935	HOSE NIPPLE	3	41,37 €
18	RM1200D-HRT168-048246	HOSE	3	13,30 €
19	RM1200D-01-2150-2555-01	Hose Clamp ( Dia 8-20)	4	4,37 €
20	RM1200D-W04-38X3	O RING	1	1,96 €
21	RM1200D-4MN-14WD	HEXAGONAL SOCKET HEAD	4	6,00 €
22	RM1200D-FN.W6-DIN-1	WASHER	6	0,31 €
23	RM1200D-FN.W10-DIN-1	WASHER	2	0,25 €
24	RM1200D-PAN.S-M6X10	PAN HEAD SCREW	2	0,31 €
25	RM1200D-IN.N-M6-DIN-1	LOCK NUT	5	0,31 €
26	RM1200D-HSPG.W10-DIN-1	SPRING WASHER	2	0,25 €
27	RM1200D-FN.B-M10x20-8.8-DIN-1	BOLT	2	0,38 €
28	RM1200D-FN.B-M6x40-8.8-DIN-1	BOLT	4	0,38 €



# 501) BATTERY ASSEMBLY BOM RM1200D-5010000

NO.	PART NO.	PART DESCRIPTION	QTY.	UNIT PRICE (EUR) 2021
1	RM1200D-DVR28-5010100	Platen	1	9,72 €
2	RM1200D-DVR28-5010200	BATTERY SUPPORT BKT	1	33,62 €
3	RM1200D-DVR28-5010300	EMERGENCY BREAK SWITCH	1	
4	RM1200D-DVR28-5010400	ANODE WIRE	1	34,73 €
5	RM1200D-DVR28-5010500	CATHODE WIRE	1	62,51 €
6	RM1200D-DVR28-5010600	WIRE	1	13,60 €
7	RM1200D-DVR28-5010700	WIRE	1	21,20 €
8	RM1200D-DVR28-5010900	RELAY	1	
9	RM1200D-01-5150-0045-01	BATTERY	1	207,03 €
10	RM1200D-530339	RUBBER PACKING	1	7,26 €
11	RM1200D-530341	BATTERY SUPPORT HOOD	2	6,80 €
12	RM1200D-530337	RUBBER PACKING	1	3,17 €
13	RM1200D-530342	ANODE CAP	1	3,42 €
14	RM1200D-530343	CATHODE CAP	1	3,42 €
15	RM1200D-FN.W8-DIN-1	WASHER	2	0,31 €
16	RM1200D-IN.N-M8-DIN-1	LOCK NUT	2	0,31 €
17	RM1200D-FN.W10-DIN-1	WASHER	4	0,25 €
18	RM1200D-HSPG.W10-DIN-1	SPRING WASHER,TANG ENDS	4	0,25 €
19	RM1200D-FN.B-M10x20-8.8-DIN-1	BOLT	4	0,38 €

