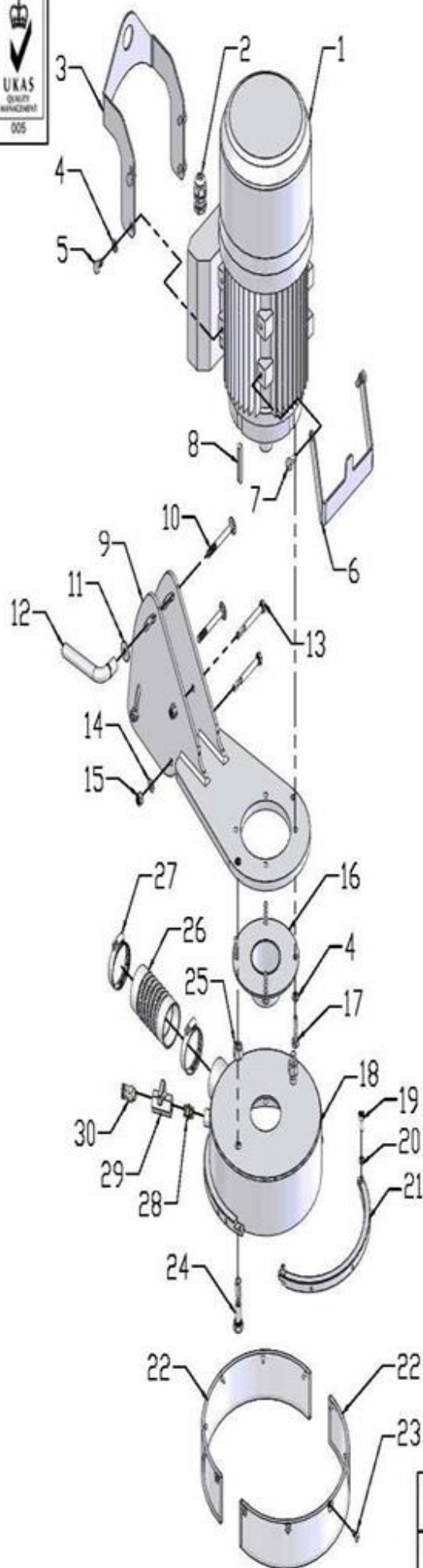


PSG-SEA-01 BASE PLATE & ELECTROMOTOR ASSY

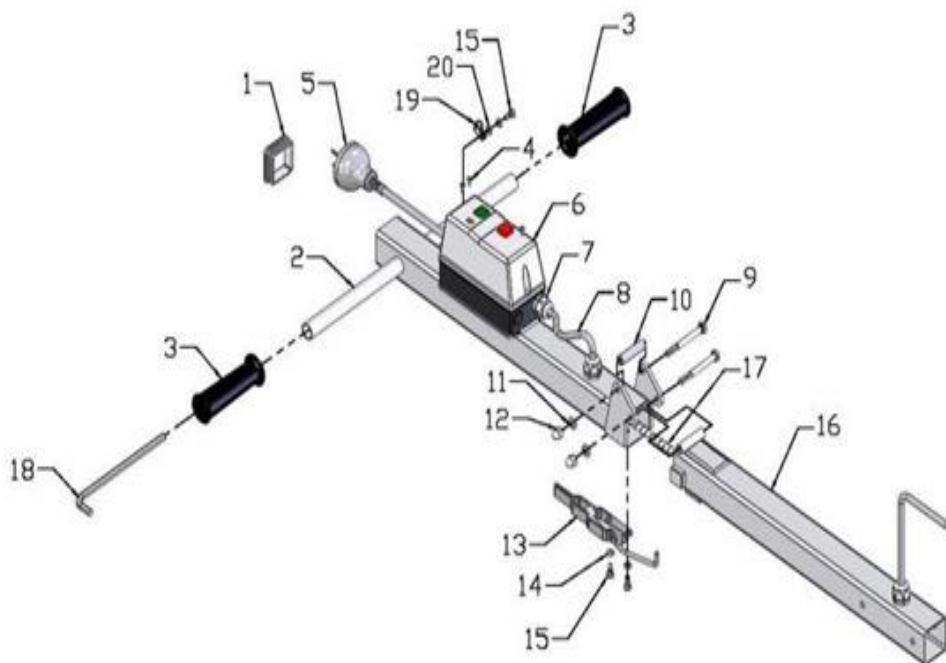
NO.	PART NO.	PART DESCRIPTION	QTY	UNIT PRICE (EURO) 2021
01-1	CGS250-W17-3HP-240V-50Hz	ELECTROMOTOR	1	251,79 €
01-2	CGS250-011100	CONNECTOR,STRAIN RELIEF	1	0,50 €
01-3	CGS250-010900	LIFTING FRAME	1	7,19 €
01-4	CGS250-HSPG.W8-DIN-2	SPRING WASHER,TANG ENDS	8	0,05 €
01-5	CGS250-FN.B-M8x12-8.8-DIN-2	BOLT	4	0,05 €
01-6	CGS250-010800	HANDLE	1	3,68 €
01-7	CGS250-FN.B-M8x16-8.8-DIN-2	BOLT	2	0,06 €
01-8	CGS250-Key.A-8x7x50	KEY	1	0,15 €
01-9	CGS250-010100	MOTOR BASE	1	59,88 €
01-10	CGS250-CHSN.B-M8x75-GB-2	SQUARE NECKBOLT	2	0,18 €
01-11	CGS250-WOD.W8-GB-2	WASHER	1	0,05 €
01-12	CGS250-011000	LOCK LEVER	1	3,99 €
01-13	CGS250-FN.B-M8x75-8.8-DIN-2	BOLT	2	0,09 €
01-14	CGS250-FN.W8-DIN-2	WASHER	3	0,05 €
01-15	CGS250-IN.N-M8-DIN-2	LOCK NUT	3	0,05 €
01-16	CGS250-010200	BUSH	1	15,58 €
01-17	CGS250-FN.B-M8x30-8.8-DIN-2	BOLT	4	0,06 €
01-18	CGS250-010300	SHIELD	1	75,41 €
01-19	CGS250-HS.B-M6x16-8.8-GB-2	SCREW	2	0,05 €
01-20	CGS250-HSPG.W6-DIN-2	SPRING WASHER,TANG ENDS	2	0,05 €
01-21	CGS250-010400	LOOP	1	30,48 €
01-22	CGS250-010500	GUARD	2	4,11 €
01-23	CGS250-HSF.S-M6x12-8.8-DIN-2	SOCKET COUNTERSUNK HEAD SCREW	10	0,05 €
01-24	CGS250-FN.B-M12x55-8.8HALF-DIN-2	BOLT	2	0,19 €
01-25	CGS250-FN.N-M12-DIN-2	NUT	2	0,06 €
01-26	CGS250-010700	HOSE	1	3,16 €
01-27	CGS250-HOOP.D40-65	HOOP	2	0,81 €
01-28	CGS250-CPT-BT-1/4	JOINT	1	0,66 €
01-29	CGS250-QF-1/4-NI	BALL VAVLE	1	4,38 €
01-30	CGS250-KSJT-G1/4-16	HOSE NIPPLE	1	3,79 €



Drawn	C. J	Model	PSG-SEA	Drawing No.	PSG-SEA-01
Checked		Description	BASE PLATE & ELECTROMOTOR ASSY		
Approved		Date	2010.02.22		

PSG-SEA-02-A OPERATION HANDLE ASSY

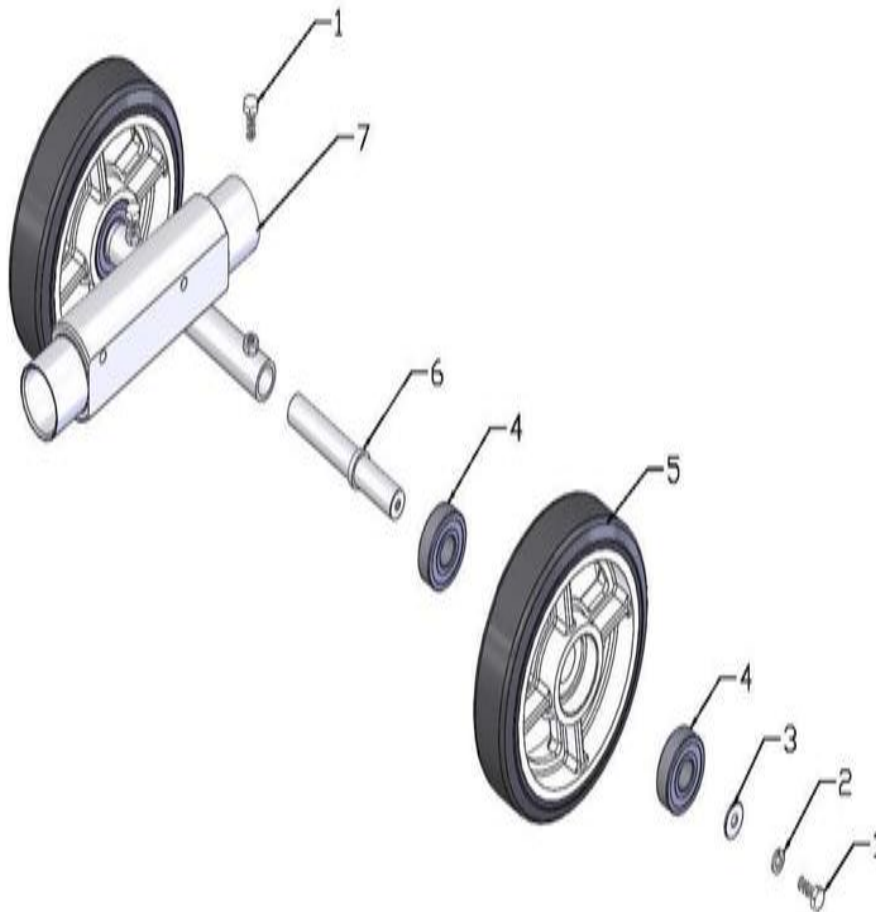
NO.	PART NO.	PART DESCRIPTION	QTY	UNIT PRICE (EURO) 2021
02-1	CGS250-020300	COVER	1	0,60 €
02-2	CGS250-020100	OPERATION HANDLE A	1	27,53 €
02-3	CGS250-100G-010001	HANDLE COVER	2	0,38 €
02-4	CGS250-PAN.S-M4x10-GB-2	PAN HEAD SCREW	3	0,05 €
02-7	CGS250-011100	CONNECTOR,STRAIN RELIEF	4	0,50 €
02-9	CGS250-FN.B-M8x75-8.8HALF-DIN-2	BOLT	2	0,10 €
02-10	CGS250-020800	RUBBER BUSH	1	0,08 €
02-11	CGS250-FN.W8-DIN-2	WASHER	4	0,05 €
02-12	CGS250-HC.N-M8-DIN-2	CAP NUT	2	0,08 €
02-13	CGS250-750-020400	CLAMP	1	7,55 €
02-14	CGS250-HSPG.W6-DIN-2	SPRING WASHER,TANG ENDS	3	0,05 €
02-15	CGS250-FN.B-M6x12-8.8-DIN-2	BOLT	3	0,05 €
02-16	CGS250-020200	OPERATION HANDLE B	1	24,96 €
02-17	CGS250-020900	PLASTIC SHEATH	1	0,26 €
02-18	CGS250-021000	ALLEN KEY	1	3,25 €
02-19	CGS250-021100	CLIP	1	0,64 €
02-20	CGS250-FN.W6-DIN-2	WASHER	1	0,05 €



Drawn	C. J	Model	PSG-SEA	Drawing No.	PSG-SEA-02-A
Checked		Description	OPERATION HANDLE ASSY		
Approved		Date	2010.08.24		

PSG-SEA-03 WHEEL FRAME ASSY

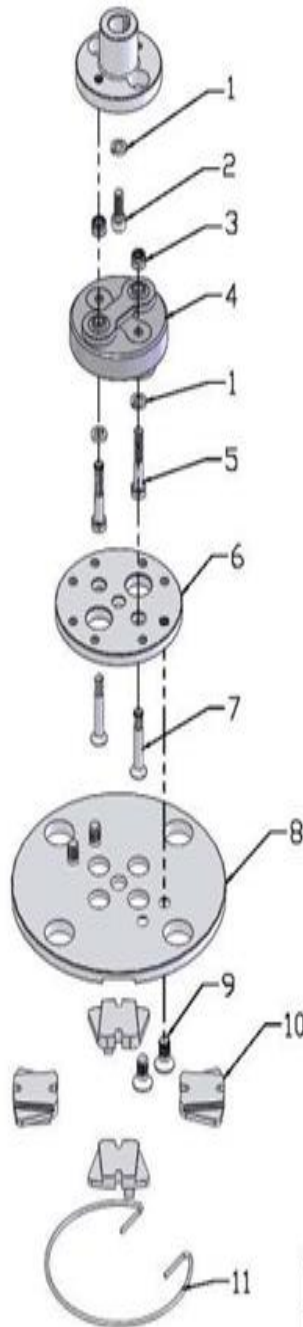
NO.	PART NO.	PART DESCRIPTION	QTY	UNIT PRICE (EURO) 2021
03-1	CGS250-FN.B-M8x20-8.8-DIN-2	BOLT	4	0,25 €
03-2	CGS250-HSPG.W8-DIN-2	SPRING WASHER,TANG ENDS	2	0,20 €
03-3	CGS250-WOD.W8-GB-2	WASHER	2	0,20 €
03-4	CGS250-W01-6304ZZ-G	BEARING	4	11,05 €
03-5	CGS250-276-050200	WHEEL	2	100,50 €
03-6	CGS250-030200	AXLE	2	10,40 €
03-7	CGS250-030100	WHEEL FRAME	1	141,56 €



Drawn	C. J	Model	PSG-SEA	Drawing No.	PSG-SEA-03
Checked		Description	WHEEL FRAME ASSY		
Approved		Date	2010.02.22		

PSG-SEA-04-B GRINDING DISK ASSY

NO.	PART NO.	PART DESCRIPTION	QTY	UNIT PRICE (EURO) 2021
04-1	CGS250-HSPG.W10-DIN-2	SPRING WASHER,TANG ENDS	3	0,20 €
04-2	CGS250-HS.B-M10x25-8.8-GB-2	SCREW	1	0,30 €
04-3	CGS250-IN.N-M10-DIN-2	LOCK NUT	2	0,30 €
04-4	CGS250-040200-A	COUPLING	1	45,94 €
04-5	CGS250-FN.B-M10x55-8.8-DIN-2	BOLT	2	0,40 €
04-6	CGS250-040300	FLANGE	1	8,95 €
04-7	CGS250-HSF.S-M10x60-12.9-DIN-2	SOCKET COUNTERSUNK HEAD SCREW	2	1,45 €
04-8	CGS250-040400	DISK	1	180,58 €
04-9	CGS250-HSF.S-M12x25-12.9-DIN-2	SOCKET COUNTERSUNK HEAD SCREW	4	0,90 €
04-10	CGS250-040500	REAMER	4	180,58 €
04-11	CGS250-040600	SPRING	1	12,65 €
04-12	CGS250-040100	HUB	1	71,10 €



Drawn	C. J	Model	PSG-SEA	Drawing No.	PSG-SEA-04-A
Checked		Description	GRINDING DISC ASSY		
Approved		Date	2011.09.21		