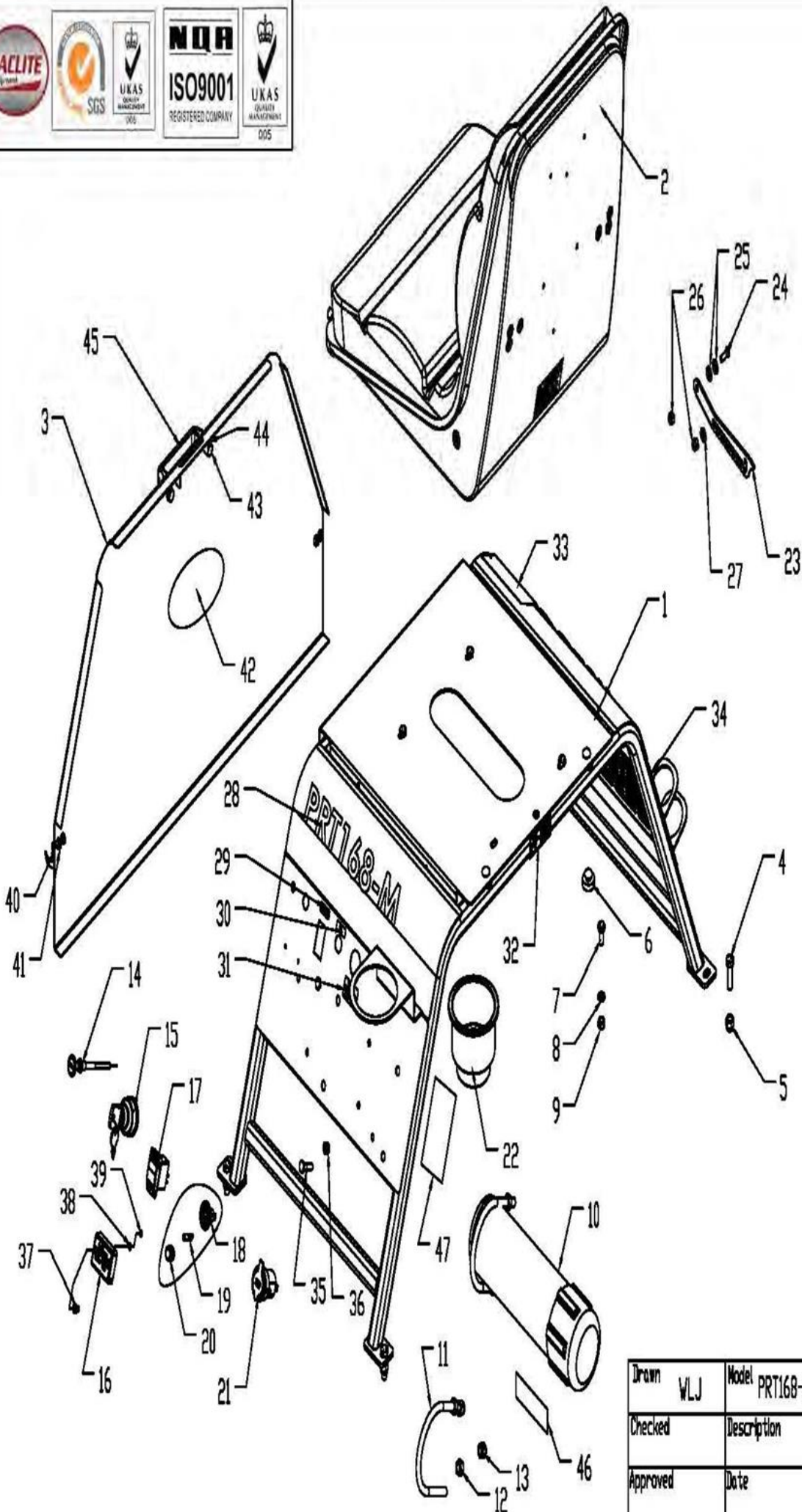


PRT168M-01 SEAT FRAME UNIT

NO.	PART NO.	PART DESCRIPTION	QTY	UNIT PRICE (EURO) 2021
01-1	PRT168M-168M-053129	SEAT FRAME PRT168M-168M	1	881,29 €
01-2	PRT168M-168M-049060	SEAT, WITH DRAIN	1	461,91 €
01-3	PRT168M-168M-050062	FRONT PANEL	1	205,84 €
01-4	PRT168M-168M-032875	HHCS 3/8-16 x 1 1/4 GR 8	4	2,41 €
01-5	PRT168M-168M-010464	NUT NYLOK 3/8-16	4	2,41 €
01-6	PRT168M-168M-047665	BUMPER, RUBBER F/ SEAT PLATE S	3	2,41 €
01-7	PRT168M-168M-010019	HHCS 5/16-18 X 3/4 GR 5	4	2,41 €
01-8	PRT168M-168M-010082	WASHER FW 5/16	4	2,41 €
01-9	PRT168M-168M-012612	LOCKNUT 5/16-18	4	2,41 €
01-10	PRT168M-168M-048665	TUBE, MANUAL PACK PLASTIC 9000-14	1	81,25 €
01-11	PRT168M-168M-053189	U-BOLT,3-1/2"x3/8-16 "U"	2	10,05 €
01-12	PRT168M-168M-010102	NUT HEX 3/8-16	4	2,41 €
01-13	PRT168M-168M-010464	NUT NYLOK 3/8-16	4	2,41 €
01-14	PRT168M-168M-029928	CHOKE CABLE, 20HP HONDA ENGINE	1	33,70 €
01-15	PRT168M-168M-032148	KIT, KEY IGNITION SWITCH	1	155,28 €
01-16	PRT168M-168M-042036	HOURMETER/TACH SENDEC	1	162,50 €
01-17	PRT168M-168M-032125	SWITCH, ROCKER #91B2184	1	28,89 €
01-18	PRT168M-168M-034610	LAMP SOCKET	1	38,51 €
01-19	PRT168M-168M-034611	LAMP, T-2 SLIDE BASE #5	1	7,23 €
01-20	PRT168M-168M-034614	LENS, T-2 LAMP RED JEWELLED	1	21,66 €
01-21	PRT168M-168M-049588	RECEPTICAL, 12VDC - HDX740	1	43,34 €
01-22	PRT168M-168M-041537	HOLDER, CUP FOR RIDERS	1	14,45 €
01-23	PRT168M-168M-053211	PROP, SEAT FRAME F/ PRT168M-168M	1	22,45 €
01-24	PRT168M-168M-042343	FSTN, SFBHCS 1/4"-20 x 3/4	1	2,41 €
01-25	PRT168M-168M-010081	WASHER FW 1/4	2	2,41 €
01-26	PRT168M-168M-029671	NUT HEX 1/4-20 NYLOC	2	2,41 €
01-27	PRT168M-168M-010081	WASHER FW 1/4	2	2,41 €
01-28	PRT168M-168M-052618P	DECAL, "PRT168M"	1	122,78 €
01-29	PRT168M-168M-053450	DECAL, "LIGHTS "	1	2,41 €
01-30	PRT168M-168M-053451	DECAL, "OIL"	1	2,41 €
01-31	PRT168M-168M-053452	DECAL, "12V ACCESSORY"	1	2,41 €
01-32	PRT168M-168M-053449	DECAL, "PINCH HAZARD"	3	12,04 €
01-33	PRT168M-168M-039048	DECAL, "GENERAL PROTECTION"	1	24,08 €
01-34	PRT168M-168M-053447	DECAL, "HAND TOOL AREA"	1	4,81 €
01-35	PRT168M-168M-010004	HHCS 1/4-20 X 1-1/4 GR 5	2	2,41 €
01-36	PRT168M-168M-029671	NUT NYLOK 1/4-20	2	2,41 €
01-37	PRT168M-HS.B-M3x10-8.8-DIN-1	SCREW M3x10	2	2,41 €
01-38	PRT168M-FN.W3-DIN-1	WASHER	2	2,41 €
01-39	PRT168M-FN.N-M8-DIN-1	NUT	2	2,41 €
01-40	PRT168M-168M-029568	NUT HEX 10-32 NYLOC	4	2,41 €
01-41	PRT168M-168M-010568	SCR, 10-32x1/2 RND HD MACH	4	2,41 €
01-42	PRT168M-168M-048036	DECAL, "PACLITE"	1	26,49 €
01-43	PRT168M-FN.B-M8x20-8.8-DIN-2	BOLT	2	2,41 €
01-44	PRT168M-FN.W8-DIN-2	WASHER	2	2,41 €
01-45	PRT168M-168M-048678	BRIDGE HANDLES	1	45,74 €
01-46	PRT168M-168M-053454	DECAL, "MANUALS"	1	4,81 €
01-47	PRT168M-168M-053440	DECAL, "PROPOSITION 65 WARNING"	1	7,23 €
01-48	PRT168M-168M-053206	HARNESS, WIRING (215, 235, 315	1	413,78 €
01-49	PRT168M-168M-049807	SOLENOID	1	70,41 €
01-50	PRT168M-168M-053222	HARNESS, LIGHT (215, 235, 315)	1	122,78 €

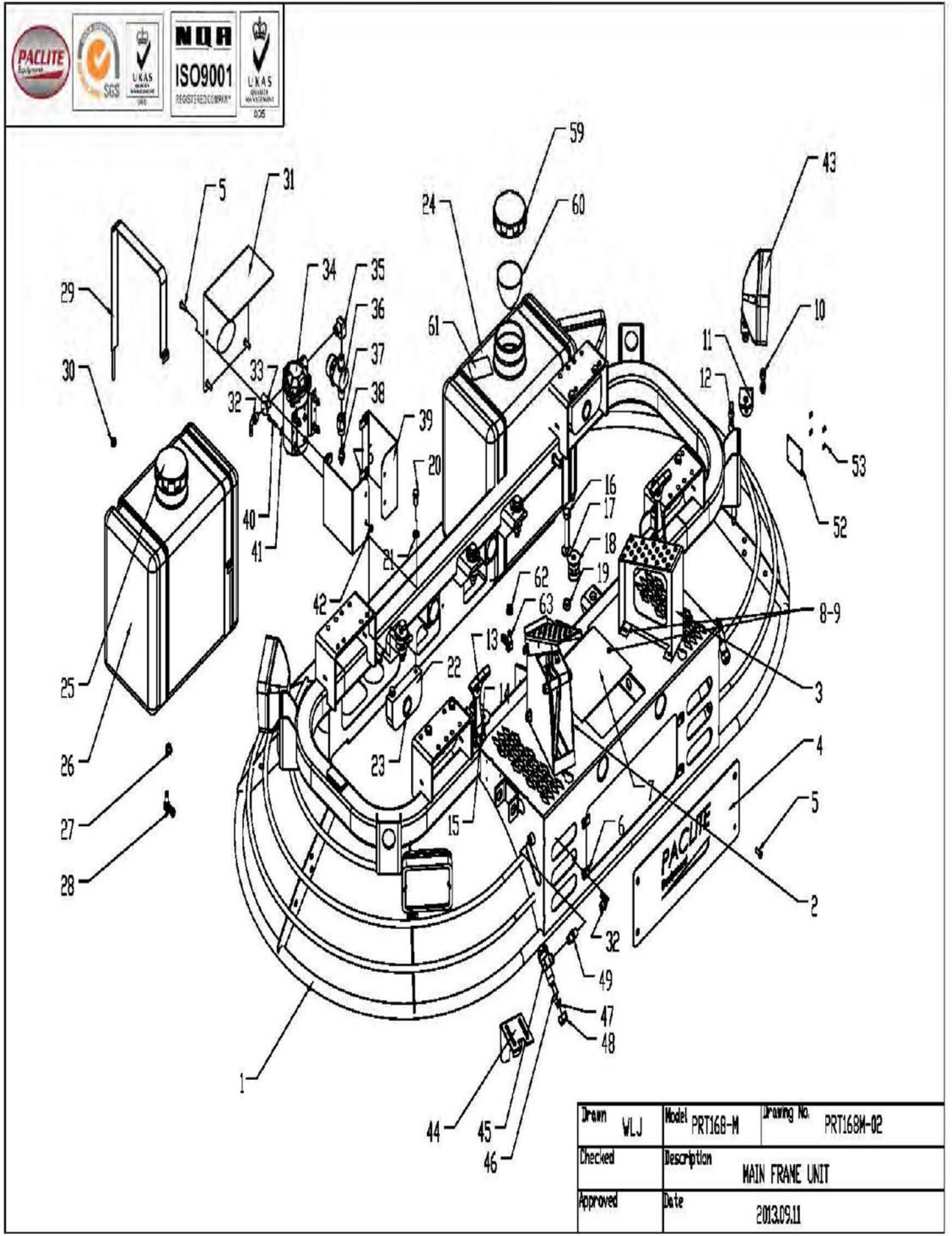


Drawn	WLJ	Model	PRT168-M	Drawing No.	PRT168M-01
Checked		Description	SEAT FRAME UNIT		
Approved		Date	2013.09.11		

PRT168M-02 MAIN FRAME UNIT

NO.	PART NO.	PART DESCRIPTION	QTY	UNIT PRICE (EURO) 2021
02-1	PRT168M-168M-053116	FRAME, MAIN F/ PRT168M-168M	1	3 010,54 €
02-2	PRT168M-168M-053188	ASS'Y, THROTTLE PEDAL PRT168M-168M	1	943,40 €
02-3	PRT168M-168M-048571	FOOT REST, HD550 RIDER	1	294,50 €
02-4	PRT168M-168M-055645P	FRONT COVER PLATE	1	33,10 €
02-5	PRT168M-168M-042343	FSTN, SFBHCS 1/4"-20 x 3/4	8	2,41 €
02-6	PRT168M-168M-039329	FSTN, CLIP TINNERMAN 1/4-20	8	2,41 €
02-7	PRT168M-168M-053138	PLATE, DECK COVER F/ MP215	1	40,69 €
02-8	PRT168M-168M-010002	FSTN, HHCS 1/4-20 X 3/4 GR 5	10	2,41 €
02-9	PRT168M-168M-029671	NUT HEX 1/4-20 NYLOC	8	2,41 €
02-10	PRT168M-168M-010464	FSTN, NUT NYLOK 3/8-16	8	2,41 €
02-11	PRT168M-168M-042140	BRACKET, REAR LIGHT SP400B	4	16,50 €
02-12	PRT168M-168M-010036	FSTN, HHCS 3/8-16 X 1 GR 5	8	2,41 €
02-13	PRT168M-ROL500S-010505	LATCH, FLEX DRAW LRG RUBBER SP	2	17,10 €
02-14	PRT168M-168M-010568	FSTN, RND HD MACH 10-32 X 1/2	4	2,41 €
02-15	PRT168M-168M-029568	FSTN, NUT NYLOK 10-32	4	2,41 €
02-16	PRT168M-168M-040637	HHCS 3/8-16 x 2- 1/4 GR 8	6	2,41 €
02-17	PRT168M-168M-010083	FSNT, FW 3/8	6	2,41 €
02-18	PRT168M-168M-046744	MOUNT, 90LB MOTOR ISOLATOR 45	6	40,93 €
02-19	PRT168M-168M-010464	FSTN, NUT NYLOK 3/8-16	6	2,41 €
02-20	PRT168M-168M-010035	FSTN, HHCS 3/8-16 X 3/4 (p)	8	2,41 €
02-21	PRT168M-168M-010091	FSTN, LW 3/8 (p)	8	2,41 €
02-22	PRT168M-168M-048559	BAR ,BEARING HOUSING ALUM	4	72,94 €
02-23	PRT168M-168M-048560	BEARING,I-GLIDE FLANGED T500	4	57,78 €
02-24	PRT168M-168M-053200	TANK, 6 GALLON W/ CAP (EPA)	1	537,15 €
02-25	PRT168M-168M-047701	CAP, 3-1/2" BLACK THRD VENT W/	1	48,75 €
02-26	PRT168M-168M-047700	TANK, 6 GALLON WATER PLASTIC	1	202,23 €
02-27	PRT168M-168M-047703	BUSHING, WATER TANK HD550 20(6GAL)	1	16,85 €
02-28	PRT168M-168M-047702	FTG, "L" FUEL 1/4 NIPPLE 90°	1	28,89 €
02-29	PRT168M-168M-048921	STRAP, TANK	4	54,16 €
02-30	PRT168M-168M-012612	FSTN, NUT HEX NYLOCK 5/16-18	4	2,41 €
02-31	PRT168M-168M-053324	PLATE, COVER F/ PUMP	1	42,94 €
02-32	PRT168M-168M-047933	ELBOW, 1/4 PUSHLOK x 1/4 NPT (1/4NPT 90°)	3	7,23 €
02-33	PRT168M-168M-047934	FTG, 3/8X1/4 BRASS FM TO FM RE	1	2,41 €
02-34	PRT168M-168M-033735	PUMP, SPRAY SYSTEM	1	272,34 €
02-35	PRT168M-168M-040387	ELBOW, 3/8 BRASS 90° STREET	1	21,66 €
02-36	PRT168M-168M-040209	FILTER, RIDER SPRAY SYSTEM	1	50,55 €
02-37	PRT168M-168M-040388	FTG, 3/8X1/4 BRASS FM TO FM RE	1	14,45 €
02-38	PRT168M-168M-047935	ELBOW, 1/4 PUSHLOK x 1/4 NPT (1/4NPT)	1	38,50 €
02-39	PRT168M-168M-053323	BRKT, PUMP COVER F/ PRT168M-168M	2	37,65 €
02-40	PRT168M-FN.B-M5x30-8.8-DIN-1	BOLT	4	2,41 €
02-41	PRT168M-FN.W5-DIN-1	WASHER	4	2,41 €
02-42	PRT168M-FN.N-M5-DIN-1	NUT	4	2,41 €
02-43	PRT168M-ROL800-000002	LIGHT, LIGHT ASSEMBLY	4	216,34 €
02-44	PRT168M-168M-053197	BRACKET, LOWER THROTTLE MP215	1	52,95 €
02-45	PRT168M-168M-041604	VALVE, CHECK BODY	2	61,39 €
02-46	PRT168M-168M-047579	STRAINER,POLY 100MESH	2	7,23 €
02-47	PRT168M-168M-012702	TIP--SPRAY 8001 (FINE) (80°*0.1 GAM BRASS SPRAY)	2	21,66 €
02-48	PRT168M-168M-041624	RETAINER, NYLON SPRAY TIP	2	4,81 €
02-49	PRT168M-168M-041606	PLASTIC 1/4 NPT CLOSE NIPPLE (1/4 NPT)	2	4,81 €
02-50	PRT168M-168M-048652	TEE,PLASTIC 1/4x1/4x1/4 (1/4)	1	7,23 €
02-51	PRT168M-168M-048246	HOSE, 3/8" WATER LINE (3/8")	1	7,23 €
02-52	PRT168M -80-0409	NAMEPLATE	1	1,70 €
02-53	PRT168M -K.RVT-2.5x5	RIVET	4	2,41 €
02-54	PRT168M-168M-047878	DECAL, BELT CONTAMINATION CAUT	1	9,63 €
02-55	PRT168M-168M-053448	DECAL, LIFT HERE ONLY	4	4,81 €
02-56	PRT168M-168M-053441	DECAL, LIFTING WARNING	2	- €
02-57	PRT168M-168M-053445	DECAL, RETARDANT ONLY	1	7,23 €
02-58	PRT168M-168M-053443	DECAL, GASOLINE ONLY	1	9,63 €

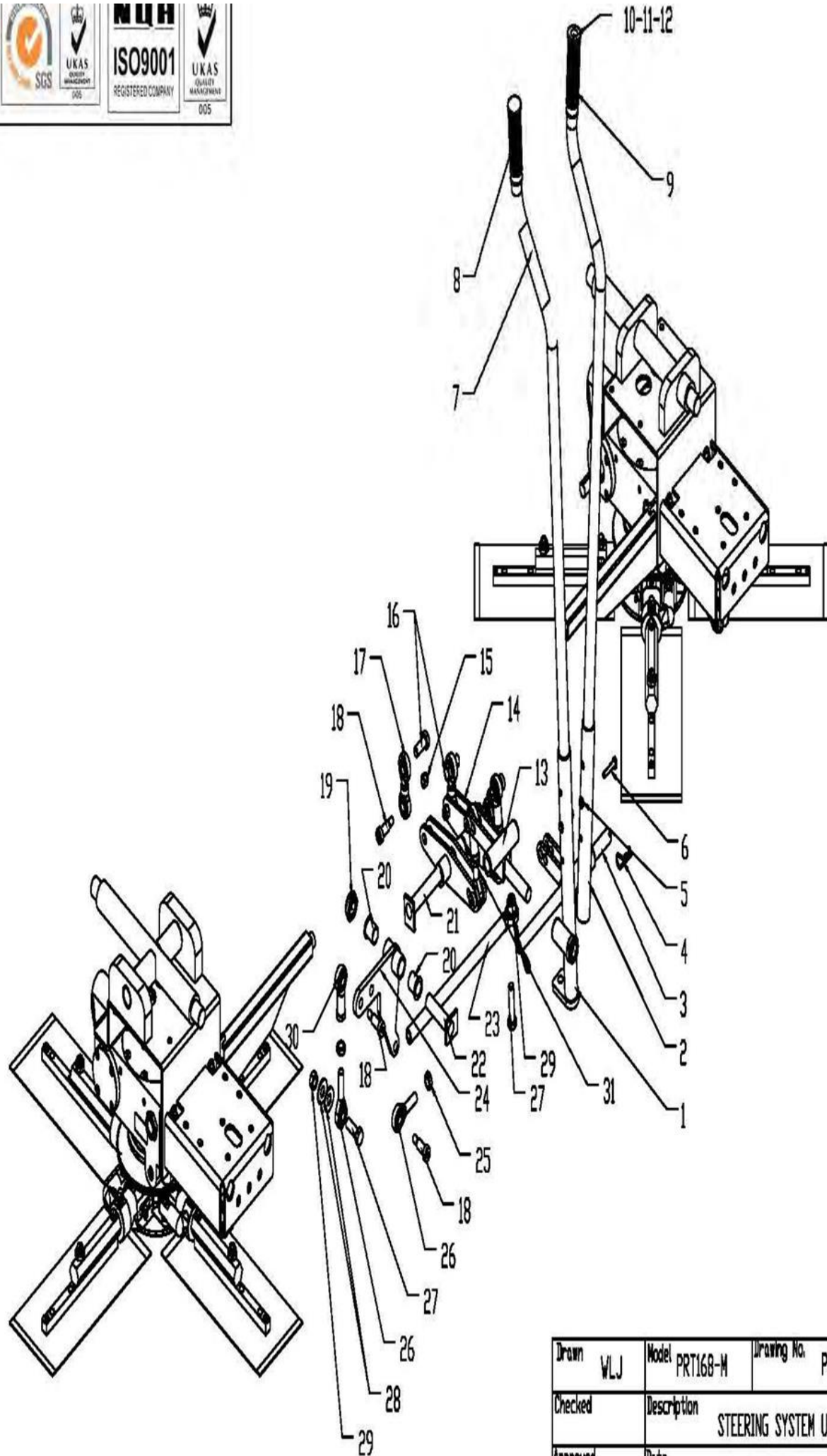
02-59	PRT168M-168M-053213	CAP, 3-1/2" BLACK GASOLINE	1	54,16 €
02-60	PRT168M-168M-047706	NECK VAPOR TUBE	1	31,20 €
02-61	PRT168M-168M-047707	DECAL, EPA COMPLIANT LABEL	1	23,15 €
02-62	PRT168M-168M-047704	BUSHING, FUEL TANK (6GAL)	1	63,35 €
02-63	PRT168M-168M-047705	VALVE, ELBOW LEVER VALVE	1	82,24 €



Drawn	WLJ	Model	PRT168-M	Drawing No.	PRT168M-02
Checked		Description	MAIN FRAME UNIT		
Approved		Date	2013.09.11		

PRT168M-03 STEERING SYSTEM UNIT

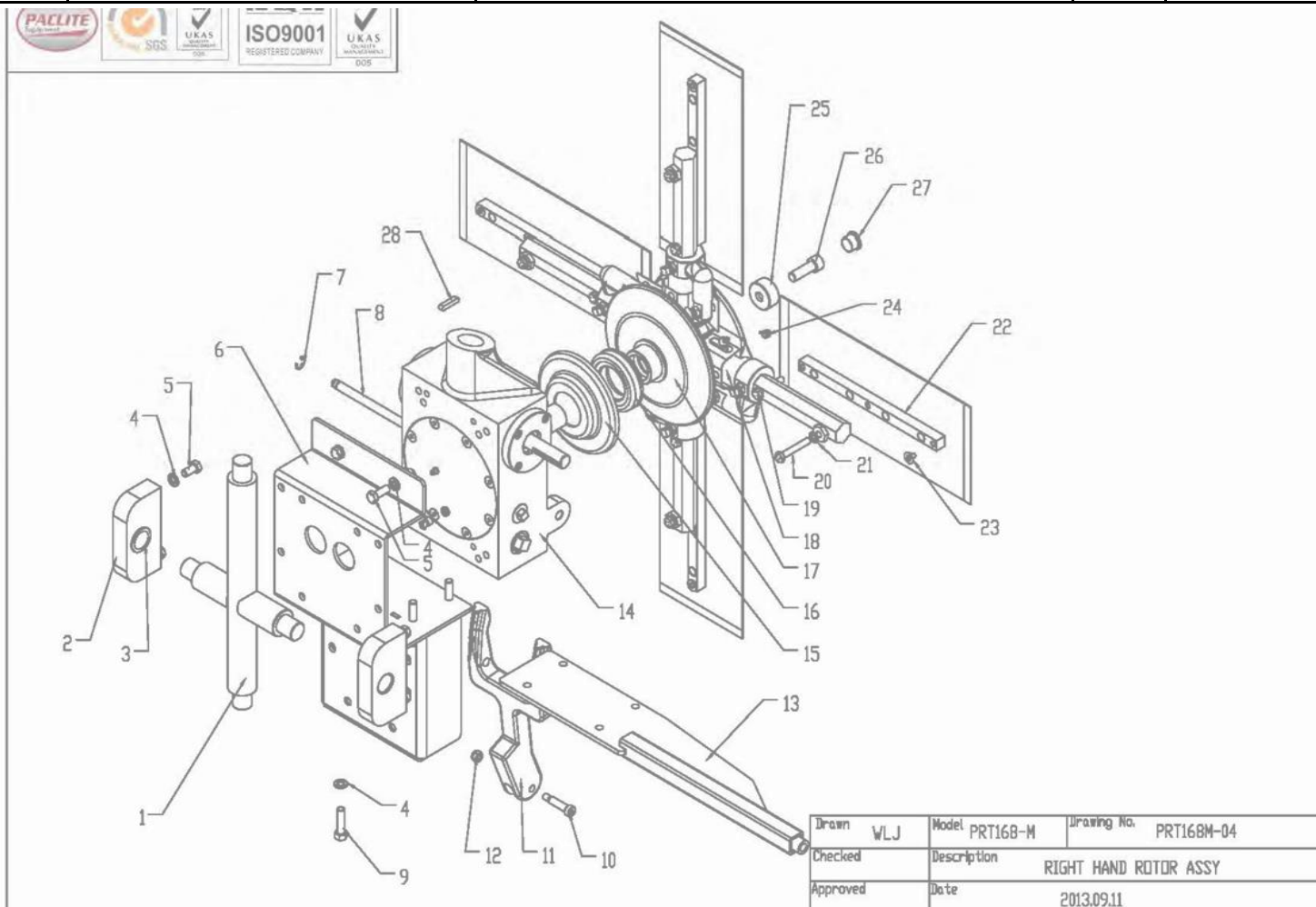
NO.	PART NO.	PART DESCRIPTION	QTY	UNIT PRICE (EURO) 2021
03-1	PRT168M-168M-053115	STEERING ARM WELDMENT, RH F/ M	1	124,46 €
03-2	PRT168M-168M-053114	WELD'T, STEERING BRKT	1	171,79 €
03-3	PRT168M-168M-053179	ROD, PIVOT F/ PRT168M-168M	1	44,93 €
03-4	PRT168M-168M-010711	CLIP, .125x2-9/16 HITCH PIN	2	2,41 €
03-5	PRT168M-168M-020542	FSTN, NUT STOVER LOCK 1/4-20	2	2,41 €
03-6	PRT168M-168M-010005	FSTN, HHCS 1/4-20 X 1-3/4 GR 8	2	2,41 €
03-7	PRT168M-168M-048896	JOYSTICK - MSP425	2	81,25 €
03-8	PRT168M-168M-048354	GRIP, SAT 3 Ø1 BLACK HANDLE	1	4,81 €
03-9	PRT168M-168M-049245	GRIP, W/ HOLE (MODIFIED) HANDL	1	9,63 €
03-10	PRT168M-168M-037481	WIRE, 18GA.2 CONDUCTOR	5'	2,41 €
03-11	PRT168M-168M-048909	SWITCH, PUSH BUTTON	1	104,73 €
03-12	PRT168M-168M-048910	BRG, Ø5/8 NYL FLNG SLEEVE	1	9,63 €
03-13	PRT168M-168M-053111	WELD'T, STEERING LEVER 2-WAY M	1	368,64 €
03-14	PRT168M-168M-053120	WELD'T, LEVER ARM F/STEERING	2	162,49 €
03-15	PRT168M-168M-010464	FSTN, NUT NYLOK 3/8-16 (p)	8	2,41 €
03-16	PRT168M-168M-047480	FSTN, HHCS 1/2-20x1-1/4 GR5	2	7,41 €
03-17	PRT168M-168M-053183	STEERING LINKAGE,	2	72,23 €
03-18	PRT168M-168M-026267	BOLT, 3/8-16xØ1/2x1 LG SHOULDE	8	9,63 €
03-19	PRT168M-168M-026447	FSTN, NUT SELFLOCK THIN 3/4-10	3	21,66 €
03-20	PRT168M-168M-048929	BEARING, TFI-1214-16 IGLIDE 3/	12	40,93 €
03-21	PRT168M-168M-048969	WELDMENT, STEERING SHAFT	1	102,91 €
03-22	PRT168M-168M-048970	WELDMENT, FULCRUM SHAFT	1	79,45 €
03-23	PRT168M-168M-053126	SHAFT, 13" STEERING F/ PRT168M-168M	1	81,25 €
03-24	PRT168M-168M-053124	STEERING FULCRUM, PRT168M-168M	1	164,06 €
03-25	PRT168M-168M-010051	FSTN, NUT HEX JAM 1/2-20 FINE	5	2,41 €
03-26	PRT168M-168M-221408	ROD, END MALE 1/2"	5	43,34 €
03-27	PRT168M-168M-037798	FSTN, HHCS 1/2-13 X 1 1/2 GR8	2	2,41 €
03-28	PRT168M-168M-010085	FSTN, FW 1/2 (p)	2	2,41 €
03-29	PRT168M-168M-040208	FSTN, 1/2-13 STOVER MUT	2	4,81 €
03-30	PRT168M-168M-019900	ROD, END FEMALE 1/2"	3	46,95 €
03-31	PRT168M-168M-048928	SHIM, STEEL F/ FULCRUM PRT168M-168M	2	4,81 €



Drawn	WLJ	Model	PRT168-M	Drawing No.	PRT168M-03
Checked		Description	STEERING SYSTEM UNIT		
Approved		Date	2013.09.11		

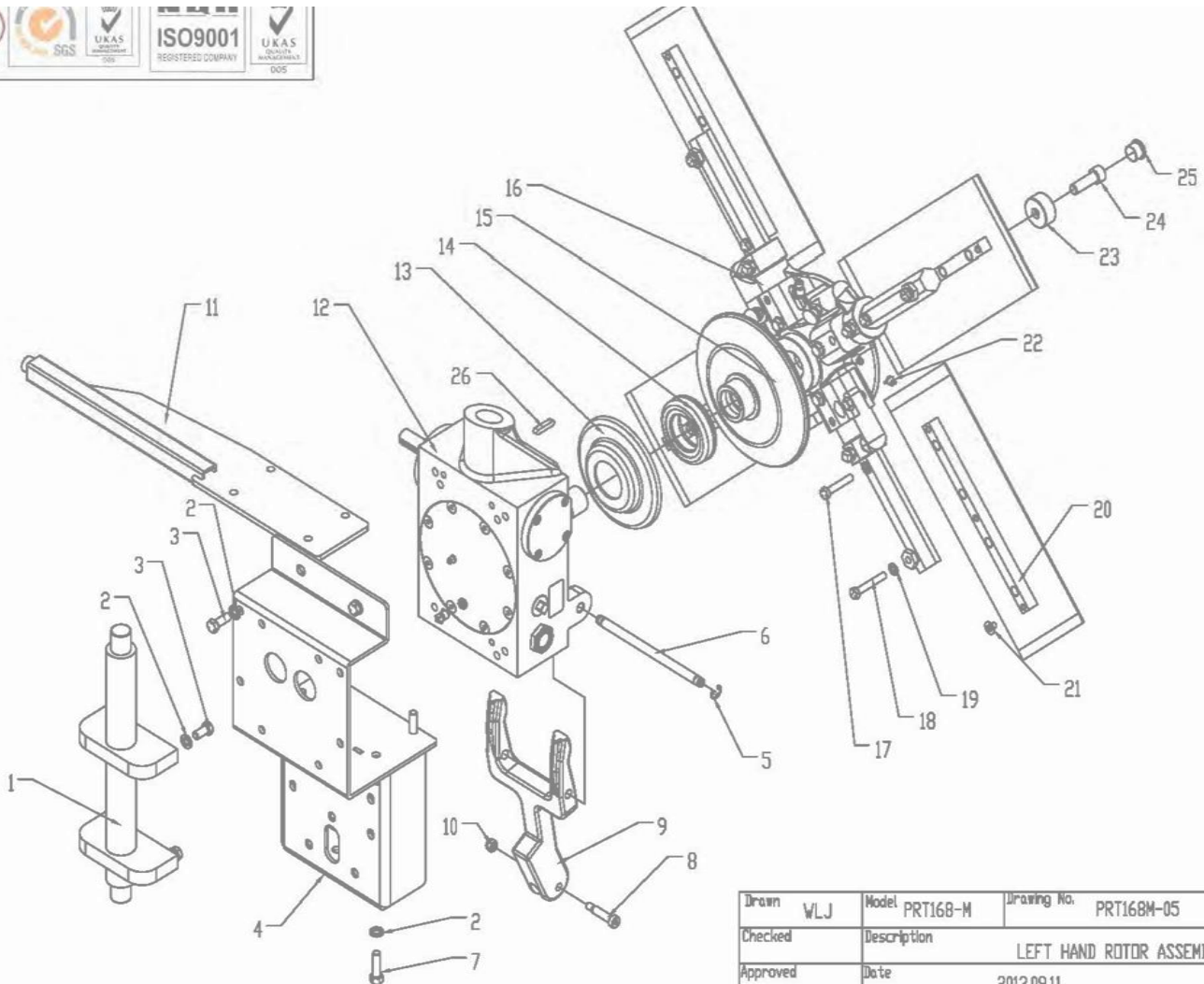
PRT168M-04 RIGHT HAND ROTOR ASSEMBLY

NO.	PART NO.	PART DESCRIPTION	QTY	UNIT PRICE (EURO) 2021
04-1	PRT168M-168M-050020	CROSSHEAD, 4-WAY	1	312,69 €
04-2	PRT168M-168M-048559	BAR ,BEARING HOUSING ALUM	2	42,75 €
04-3	PRT168M-168M-048560	BEARING,I-GLIDE FLANGED T500	2	77,04 €
04-4	PRT168M-168M-010091	FSTN, LW 3/8 (p)	10	2,41 €
04-5	PRT168M-168M-010035	FSTN, HHCS 3/8-16 X 3/4 (p)	6	2,41 €
04-6	PRT168M-168M-050017	CROSSHEAD, MP215(HSNG,GEARBOX)	1	144,45 €
04-7	PRT168M-168M-015677	FSTN, RING, Ø7/16 E-STYLE RETA	2	2,41 €
04-8	PRT168M-168M-015678	FSTN, PIN YOKE ARM 7-3/8X7/16	1	24,08 €
04-9	PRT168M-168M-015884	FSTN, SHCS 3/8-16 X 1	4	2,41 €
04-10	PRT168M-168M-026504	FSTN, SHLD BLT 5/16-18x1/2xØ3/8x1-1/4	1	7,23 €
04-11	PRT168M-168M-026215	YOKE, ARM (p)	1	144,45 €
04-12	PRT168M-168M-012612	FSTN, NUT HEX NYLOCK 5/16-18	1	2,41 €
04-13	PRT168M-168M-053109	ARM, STEERING F/ PRT168M-168M	1	184,16 €
04-14	PRT168M-168M-026443	GEARBOX, STD 900/1200 RH (SOM)	1	1 733,34 €
04-15	PRT168M-168M-015821	CAP, PRESSURE PLATE (p)	1	36,11 €
04-16	PRT168M-168M-015822	THRUST BEARING	1	84,86 €
04-17	PRT168M-168M-015824	PLATE, PRO RIDER/WALKER PRESSU	1	265,41 €
04-18	PRT168M-168M-024813	SPIDER ASSY, 900-SFC RH-SOM	1	1 032,78 €
04-19	PRT168M-168M-010023	FSTN, HHCS 5/16-18 X 1-3/4 (p)	4	2,41 €
04-20	PRT168M-168M-010024	FSTN, HHCS 5/16-18 X 2 (p)	4	2,41 €
04-21	PRT168M-168M-010090	FSTN, LW 5/16 (p)	8	2,41 €
04-22	PRT168M-168M-015890	TROWEL BLADE, FINISH 6 X 14	4	31,30 €
04-23	PRT168M-168M-015694	PLUG, W-1 RED PLASTIC TAPERED	4	2,41 €
04-24	PRT168M-168M-015692	CAP,Ø1/4 RED GREASE	4	2,41 €
04-25	PRT168M-168M-015690	WASHER, RETAINING FOR TROWELS	1	16,85 €
04-26	PRT168M-168M-020155	FSTN, SHCS 1/2-13 X 1-1/2 LH	1	21,66 €
04-27	PRT168M-168M-015693	PLUG, PLASTIC CAP EC12 (p)	1	2,41 €
04-28	PRT168M-168M-015696	KEY, .25" X 1.25"LG HARD RAD.	1	9,63 €



PRT168M-05 LEFT HAND ROTOR ASSEMBLY

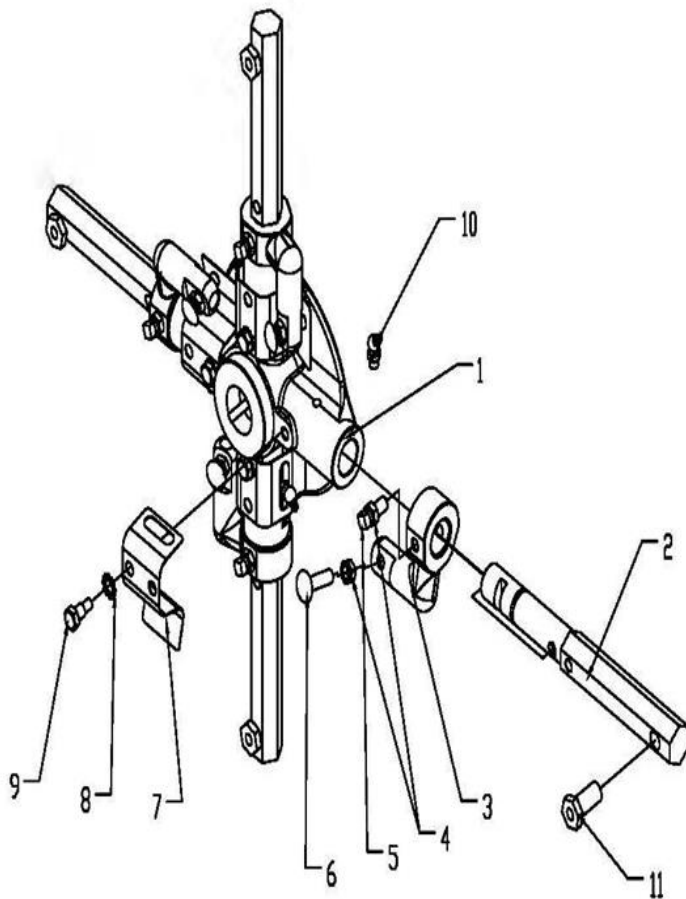
NO.	PART NO.	PART DESCRIPTION	QTY	UNIT PRICE (EURO) 2021
05-1	PRT168M-168M-050022	CROSSHEAD, 2-WAY PRT168M-168MM	1	771,86 €
05-2	PRT168M-168M-010091	FSTN, LW 3/8 (p)	10	2,41 €
05-3	PRT168M-168M-010035	FSTN, HHCS 3/8-16 X 3/4 (p)	6	2,41 €
05-4	PRT168M-168M-050017	CROSSHEAD, (HSNG,GEARBOX)	1	144,45 €
05-5	PRT168M-168M-015677	FSTN, RING, Ø7/16 E-STYLE RETA	2	2,41 €
05-6	PRT168M-168M-015678	FSTN, PIN YOKE ARM 7-3/8X7/16	1	24,08 €
05-7	PRT168M-168M-015884	FSTN, SHCS 3/8-16 X 1	4	2,41 €
05-8	PRT168M-168M-026504	FSTN, SHLD BLT 5/16-18x1/2xØ3/8x1-1/4	1	7,23 €
05-9	PRT168M-168M-026215	YOKE, ARM (p)	1	144,45 €
05-10	PRT168M-168M-012612	FSTN, NUT HEX NYLOCK 5/16-18	1	2,41 €
05-11	PRT168M-168M-053109	ARM, STEERING F/ PRT168M-168M	1	184,16 €
05-12	PRT168M-168M-026442	GEARBOX, STD 900/1200 LH (SOM)	1	1 904,86 €
05-13	PRT168M-168M-015821	CAP, PRESSURE PLATE (p)	1	36,11 €
05-14	PRT168M-168M-015822	THRUST BEARING	1	84,86 €
05-15	PRT168M-168M-015824	PLATE, PRO RIDER/WALKER PRESSU	1	221,18 €
05-16	PRT168M-168M-015893	SPIDER ASSY, 900-SFC LH-SOM (p)	1	860,65 €
05-17	PRT168M-168M-010023	FSTN, HHCS 5/16-18 X 1-3/4 (p)	4	2,41 €
05-18	PRT168M-168M-010024	FSTN, HHCS 5/16-18 X 2 (p)	4	2,41 €
05-19	PRT168M-168M-010090	FSTN, LW 5/16 (p)	8	2,41 €
05-20	PRT168M-168M-015890	TROWEL BLADE, FINISH 6 X 14	4	48,10 €
05-21	PRT168M-168M-015694	PLUG, W-1 RED PLASTIC TAPERED	4	2,41 €
05-22	PRT168M-168M-015692	CAP,Ø1/4 RED GREASE	4	2,41 €
05-23	PRT168M-168M-015690	WASHER, RETAINING FOR TROWELS	1	16,85 €
05-24	PRT168M-168M-015691	FSTN, SHCS 1/2-13 X 1-1/2 RH	1	7,23 €
05-25	PRT168M-168M-015693	PLUG, PLASTIC CAP EC12 (p)	1	2,41 €
05-26	PRT168M-168M-015696	KEY, .25" X 1.25"LG HARD RAD.	1	9,63 €



Drawn	WLJ	Model	PRT168-M	Drawing No.	PRT168M-05
Checked		Description	LEFT HAND ROTOR ASSEMBLY		
Approved		Date	2013.09.11		

PRT168M-06 RIGHT HAND SPIDER ASSEMBLY

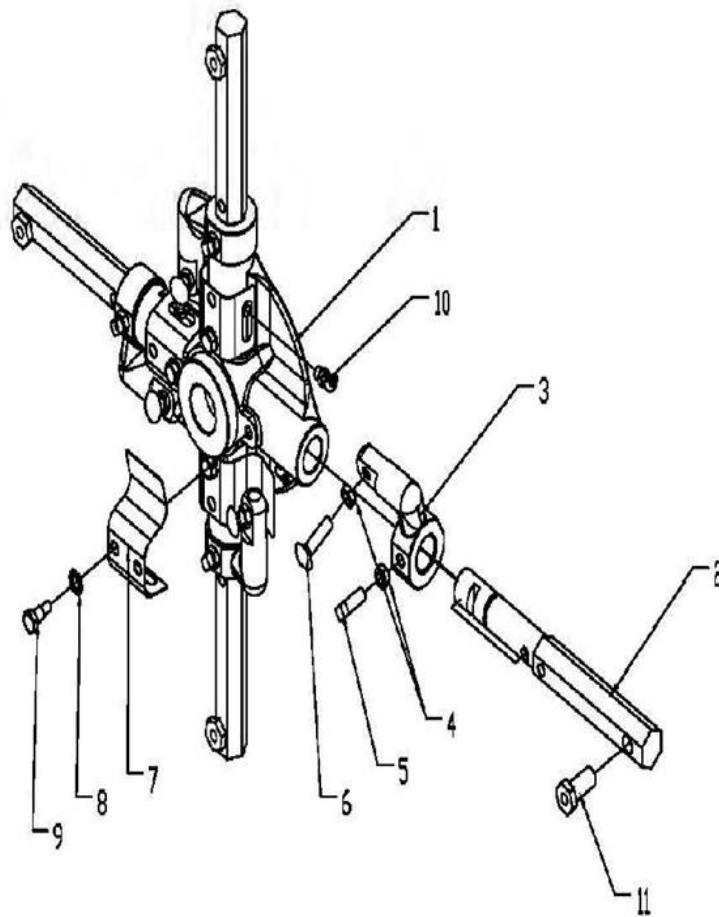
NO.	PART NO.	PART DESCRIPTION	QTY	UNIT PRICE (EURO) 2021
	PRT168M-168M-024813	SPIDER ASSY, 900-SFC RH-SOM		
06-1	PRT168M-168M-020572	SPIDER,4-BOSS MACH CCW SD	1	306,95 €
06-2	PRT168M-168M-015818	TROWEL ARM, STD 36" SPIDER (p)	4	65,00 €
06-3	PRT168M-168M-033032	LIFT LEVER, STD UNIVERSAL	4	108,34 €
06-4	PRT168M-168M-015684	FSTN, NUT HEX JAM 3/8-16 (p)	8	2,41 €
06-5	PRT168M-168M-015686	FSTN, SQHSS 3/8-16 X 1 (p)	4	2,41 €
06-6	PRT168M-168M-012990	FSTN, CABLT 3/8-16 X 1-1/4"	4	4,81 €
06-7	PRT168M-168M-016920	SPRING CLIP, UNIVERSAL SPIDERS	4	14,45 €
06-8	PRT168M-168M-015682	FSTN, LW EXT STAR 3/8 (p)	4	2,41 €
06-9	PRT168M-168M-015683	FSTN, 3/8-16 X 7/8 DOG CAP SCR	4	7,23 €
06-10	PRT168M-168M-024755	FITTING,1/8-27 NPT 45° GREASE	4	4,81 €
06-11	PRT168M-168M-015688	FSTN, 9/16-18x1-1/4 NF ADJ/MACH SCRW	4	14,45 €



Drawn	WLJ	Model	PRT168-M	Drawing No.	PRT168M-06
Checked		Description	RIGHT HAND SPIDER ASSEMBLY		
Approved		Date	2013.09.11		

PRT168M-07 LEFT HAND SPIDER ASSEMBLY

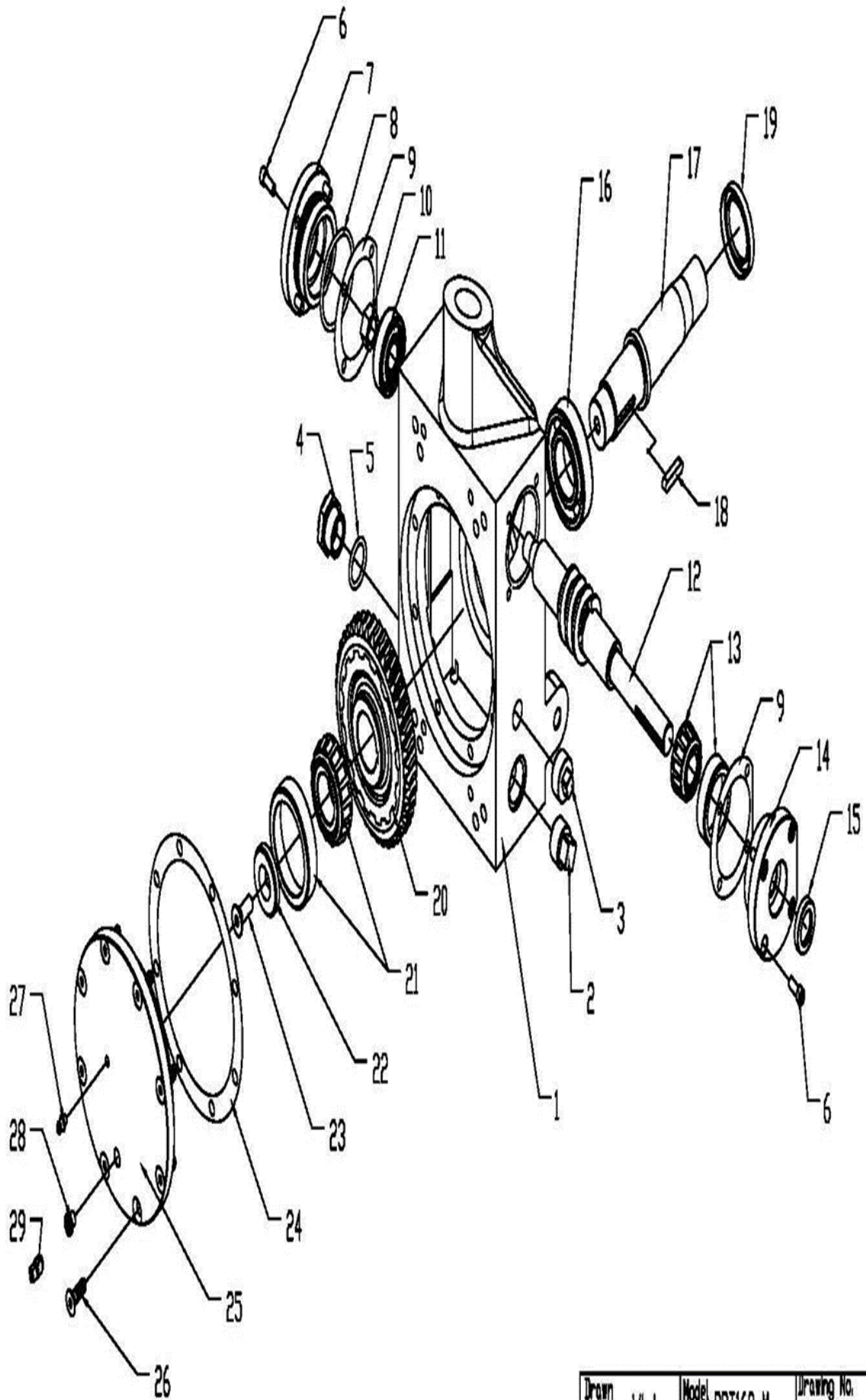
NO.	PART NO.	PART DESCRIPTION	QTY	UNIT PRICE (EURO) 2021
	PRT168M-168M-015893	SPIDER ASSY, 900-SFC LH-SOM		
07-1	PRT168M-168M-015816	SPIDER,4-BOSS MACH CCW SD	1	255,79 €
07-2	PRT168M-168M-015818	TROWEL ARM, STD 36" SPIDER (p)	4	65,00 €
07-3	PRT168M-168M-033032	LIFT LEVER, STD UNIVERSAL	4	81,25 €
07-4	PRT168M-168M-015684	FSTN, NUT HEX JAM 3/8-16 (p)	8	2,41 €
07-5	PRT168M-168M-015686	FSTN, SQHSS 3/8-16 X 1 (p)	4	2,41 €
07-6	PRT168M-168M-012990	FSTN, CABLT 3/8-16 X 1-1/4"	4	4,81 €
07-7	PRT168M-168M-016920	SPRING CLIP, UNIVERSAL SPIDERS	4	14,45 €
07-8	PRT168M-168M-015682	FSTN, LW EXT STAR 3/8 (p)	4	2,41 €
07-9	PRT168M-168M-015683	FSTN, 3/8-16 X 7/8 DOG CAP SCR	4	7,23 €
07-10	PRT168M-168M-024755	FITTING,1/8-27 NPT 45° GREASE (45°)	4	4,81 €
07-11	PRT168M-168M-015688	FSTN, 9/16-18x1-1/4 NF ADJ/MACH SCRW	4	14,45 €



Drawn	WLJ	Model	PRT168-M	Drawing No.	PRT168M-07
Checked		Description	LEFT HAND SPIDER ASSEMBLY		
Approved		Date	2013.09.11		

PRT168M-08 RH STANDARD DUTY GEARBOX

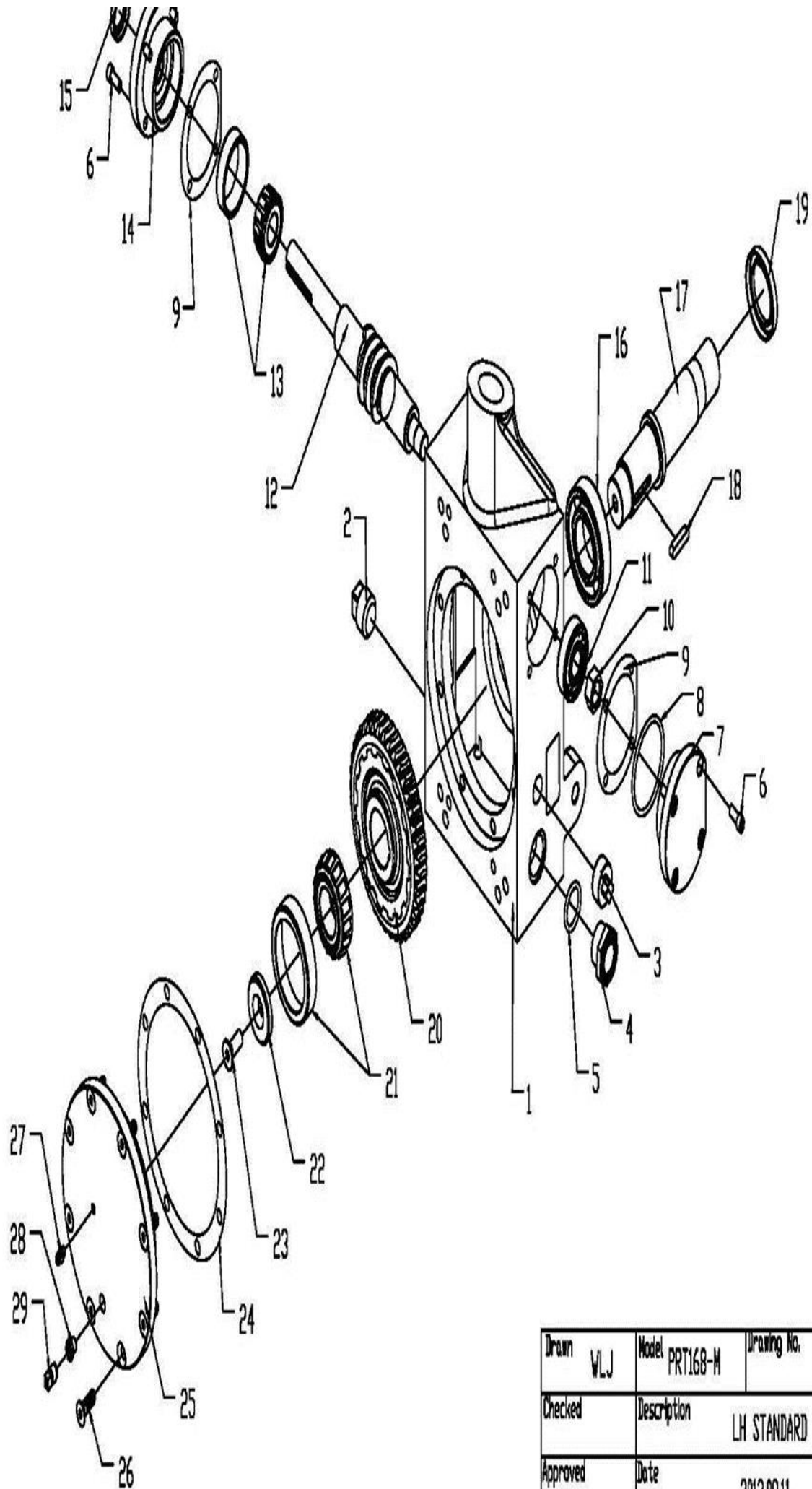
NO.	PART NO.	PART DESCRIPTION	QTY	UNIT PRICE (EURO) 2021
	PRT168M-168M-026443	GEARBOX, STD 900/1200 RH (SOM)		
	PRT168M-168M-001003	GREASE, MOBILITH SCH220 (p)		
	PRT168M-168M-048299	OIL,GEARBOX (USE 048386)	Lt	
08-1	PRT168M-168M-015204	GEAR BOX,MACHINE FINISHED (p)	1	624,43 €
08-2	PRT168M-168M-012953	PLUG 3/4 NPT BI SQ HD PIPE	1	4,40 €
08-3	PRT168M-168M-010498	PLUG 3/8 NPT BI SQ HD PIPE (p)	2	4,81 €
08-4	PRT168M-168M-015672	GAUGE, 3/4-14 NPT PORTHOLE VIE	1	45,14 €
08-5	PRT168M-168M-015673	O-RING, 15/16x1-3/16x1/8 BUNA	1	2,41 €
08-6	PRT168M-168M-017314	FSTN, SHCS 1/4-20 X 5/8 (p)	8	2,41 €
08-7	PRT168M-168M-015221	CAP,GEAR BOX END (4-HOLE) (p)	1	72,23 €
08-8	PRT168M-168M-015660	O-RING, GEAR BOX END CAPS (p)	1	2,41 €
08-9	PRT168M-168M-015222	GASKET, END CAP	2	7,23 €
08-10	PRT168M-168M-026742	FSTN, NUT HEX JAM 5/8-18 RH FINE	1	2,41 €
08-11	PRT168M-168M-015663	BEARING ANGULAR CONTACT (p)	1	77,64 €
08-12	PRT168M-168M-026741	SHAFT, INPUT LH GEAR BOX LH	1	382,18 €
08-13	PRT168M-168M-044603	BEARING, TAPERED ROLLER	1	46,95 €
	PRT168M-168M-044604	BEARING RACE	1	28,89 €
08-14	PRT168M-168M-044601	FLANGE, GEAR BOX (4 HOLE)	1	88,48 €
08-15	PRT168M-168M-015670	SEAL, OIL CR# 7455V (p)	1	150,64 €
08-16	PRT168M-168M-015217	BEARING, RADIAL BALL (p)	1	40,93 €
08-17	PRT168M-168M-020120	SHAFT MAIN DRIVE/LH GEAR BOX	1	212,15 €
08-18	PRT168M-168M-015696	KEY, .25" X 1.25"LG HARD RAD.	1	9,63 €
08-19	PRT168M-168M-015671	SEAL, OIL CR# 13661 (p)	1	141,04 €
08-20	PRT168M-168M-018924	GEAR,BRONZE LH (p)	1	358,10 €
08-21	PRT168M-168M-022073	BEARING TAPERED ROLLER (p)	1	133,61 €
	PRT168M-168M-022074	BEARING RACE	1	86,66 €
08-22	PRT168M-168M-015213	WASHER PRESSURE (GEAR BOX) (p)	1	24,08 €
08-23	PRT168M-168M-013746	FSTN, FHCSS 3/8-16 X 1 (p)	1	4,81 €
08-24	PRT168M-168M-015210	GASKET , TOP COVER	1	9,63 €
08-25	PRT168M-168M-026406	COVER GEAR BOX SPEC 436&446 FF	1	196,80 €
08-26	PRT168M-168M-015205	FSTN, SCREW FHSS 5/16-18 X 1	8	4,81 €
08-27	PRT168M-168M-010513	FITTING, 1/4-28 STRAIGHT GREAS	1	2,41 €
08-28	PRT168M-168M-015209	VALVE 1/8 NPT-27 RELIEF (p)	1	12,75 €
08-29	PRT168M-168M-032745	PLUG, 1/8 NPT RED POLTHN THD	1	2,41 €



Drawn	WLJ	Model	PRT168-M	Drawing No.	PRT168M-08
Checked		Description	RH STANDARD DUTY GEARBOX		
Approved		Date	2013.09.11		

PRT168M-09 LH STANDARD DUTY GEARBOX

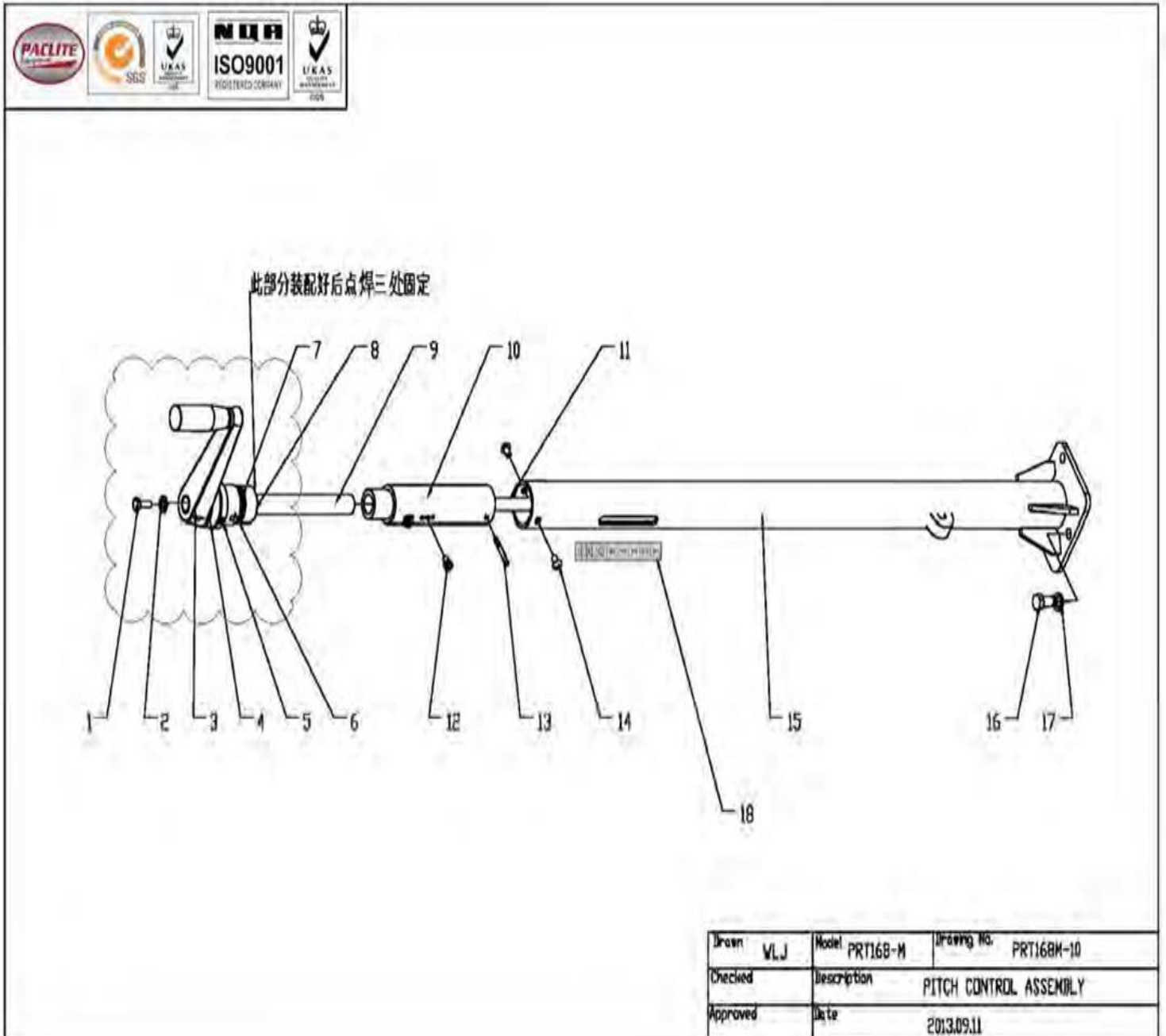
NO.	PART NO.	PART DESCRIPTION	QTY	UNIT PRICE
	PRT168M-168M-026442	GEARBOX, STD 900/1200 LH (SOM)		
	PRT168M-168M-001003	GREASE, MOBILITH SCH220 (p)		
	PRT168M-168M-048299	OIL,GEARBOX (USE 048386)	Lt	
09-1	PRT168M-168M-015204	GEAR BOX,MACHINE FINISHED (p)	1	624,43 €
09-2	PRT168M-168M-012953	PLUG 3/4 NPT BI SQ HD PIPE	1	1,23 €
09-3	PRT168M-168M-010498	PLUG 3/8 NPT BI SQ HD PIPE (p)	2	4,81 €
09-4	PRT168M-168M-015672	GAUGE, 3/4-14 NPT PORTHOLE VIE	1	45,14 €
09-5	PRT168M-168M-015673	O-RING, 15/16x1-3/16x1/8 BUNA	1	2,41 €
09-6	PRT168M-168M-017314	FSTN, SHCS 1/4-20 X 5/8 (p)	8	2,41 €
09-7	PRT168M-168M-015221	CAP,GEAR BOX END (4-HOLE) (p)	1	72,23 €
09-8	PRT168M-168M-015660	O-RING, GEAR BOX END CAPS (p)	1	2,41 €
09-9	PRT168M-168M-015222	GASKET, END CAP	2	7,23 €
09-10	PRT168M-168M-026743	FSTN, NUT HEX JAM 5/8-18 LH FINE	1	2,41 €
09-11	PRT168M-168M-015663	BEARING ANGULAR CONTACT (p)	1	77,64 €
09-12	PRT168M-168M-026740	SHAFT, INPUT RH GEAR BOX RH	1	343,05 €
09-13	PRT168M-168M-044603	BEARING, TAPERED ROLLER	1	46,95 €
	PRT168M-168M-044604	BEARING RACE	1	28,89 €
09-14	PRT168M-168M-044601	FLANGE, GEAR BOX (4 HOLE)	1	88,48 €
09-15	PRT168M-168M-015670	SEAL, OIL CR# 7455V (p)	1	38,14 €
09-16	PRT168M-168M-015217	BEARING, RADIAL BALL (p)	1	40,93 €
09-17	PRT168M-168M-015219	SHAFT MAIN DRIVE/RH GEAR BOX	1	276,85 €
09-18	PRT168M-168M-015696	KEY, .25" X 1.25"LG HARD RAD.	1	9,63 €
09-19	PRT168M-168M-015671	SEAL, OIL CR# 13661 (p)	1	141,04 €
09-20	PRT168M-168M-015216	GEAR,BRONZE RH (p)	1	358,10 €
09-21	PRT168M-168M-022073	BEARING TAPERED ROLLER (p)	1	133,61 €
	PRT168M-168M-022074	BEARING RACE	1	65,00 €
09-22	PRT168M-168M-015213	WASHER PRESSURE (GEAR BOX) (p)	1	24,08 €
09-23	PRT168M-168M-015212	FSTN, FHCSS 3/8-16 X 1 LH (p)	1	24,08 €
09-24	PRT168M-168M-015210	GASKET ., TOP COVER	1	9,63 €
09-25	PRT168M-168M-026406	COVER GEAR BOX SPEC 436&446 FF	1	196,80 €
09-26	PRT168M-168M-015205	FSTN, SCREW FHSS 5/16-18 X 1	8	4,81 €
09-27	PRT168M-168M-010513	FITTING, 1/4-28 STRAIGHT GREAS	1	2,41 €
09-28	PRT168M-168M-015209	VALVE 1/8 NPT-27 RELIEF (p)	1	12,75 €
09-29	PRT168M-168M-032745	PLUG, 1/8 NPT RED POLTHN THD	1	2,41 €



Drawn	WLJ	Model	PRT168-M	Drawing No.	PRT168M-09
Checked		Description	LH STANDARD DUTY GEARBOX		
Approved		Date	2013.09.11		

PRT168M-10 PITCH CONTROL ASSEMBLY

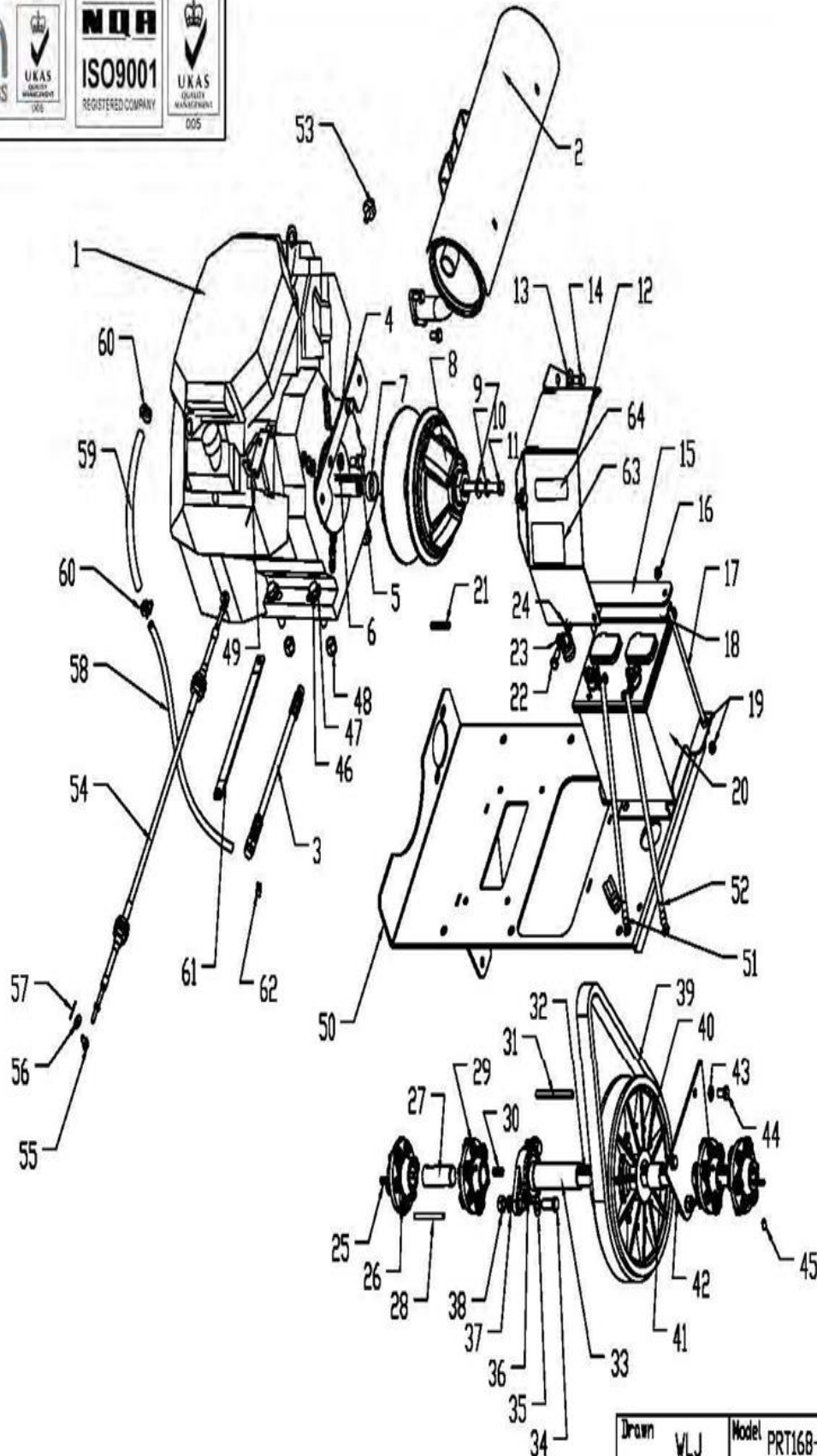
NO.	PART NO.	PART DESCRIPTION	QTY	UNIT PRICE (EURO) 2021
	PRT168M-168M-032370	ASSY, PITCH CONTROL	2	
10-1	PRT168M-168M-010004	FSTN, HHCS 1/4-20 X 1-1/4 GR 5	2	2,41 €
10-2	PRT168M-168M-029300	WASHER	2	2,41 €
10-3	PRT168M-168M-026541	HANDLE BAR	2	122,78 €
10-4	PRT168M-168M-015742	BEARING FINE PITCH CNTL THRUST	2	21,66 €
10-5	PRT168M-168M-036797	FSTN,BALL PLUNGER 1/4-20	4	31,30 €
10-6	PRT168M-168M-036914	BUSHING, CABLE ASS'Y - RIDERS	2	52,96 €
10-7	PRT168M-168M-100340	BEARING NTA-1220 THRUST	2	14,45 €
10-8	PRT168M-168M-032191	STOP F/ PITCH CONTROL HANDLE	2	18,66 €
10-9	PRT168M-168M-029997	SCREW SHAFT	2	52,95 €
10-10	PRT168M-168M-029812	BUSHING, SLIDE PITCH CONTROL	2	108,34 €
10-11	PRT168M-168M-029822	PITCH CONTROL SHAFT	2	160,70 €
10-12	PRT168M-168M-015768	FSTN, SHCS 1/4-20 X 1/4 HOLO	4	2,41 €
10-13	PRT168M-168M-015747	PIN, ROLL 3/16 X 1-3/8 SPIROL	2	2,41 €
10-14	PRT168M-168M-015410	FSTN, RHMS 1/4-20 X 3/8 Stainl	4	2,41 €
10-15	PRT168M-168M-026420	TUBE ,PRO PITCH CONTROL	2	227,20 €
10-16	PRT168M-168M-010035	FSTN, HHCS 3/8-16 X 3/4 (p)	6	2,41 €
10-17	PRT168M-168M-010091	FSTN, LW 3/8 (p)	6	2,41 €
10-18	PRT168M-168M-032377	DECAL, PITCHCONTROL	2	21,66 €



PRT168M-11 ENGINE & DRIVER SYSTEM UNIT

NO.	PART NO.	PART DESCRIPTION	QTY	UNIT PRICE (EURO) 2021
11-01	PRT168M-168M-W05-GX690-RTDW	ENGINE	1	
11-02	PRT168M-168M-051981	MUFFLER, HONDA GX690	1	285,88 €
11-03	PRT168M-168M-051980	HOSE, DRAIN F/ HONDA GX690	1	102,60 €
11-04	PRT168M-168M-033661	PLATE, BELT GURD BKT. F/ BLM	1	48,15 €
11-05	PRT168M-168M-053207	FSTN, HHCS 7/16-14 x 3/4	2	2,40 €
11-06	PRT168M-168M-010092	FSTN, LW 7/16 (p)	2	2,41 €
11-07	PRT168M-168M-055617	TUBE	1	16,55 €
11-08	PRT168M-168M-053198	CLUTCH, DRIVER CVT PRT168M-168M	1	934,38 €
11-09	PRT168M-168M-010084	FSTN, FW 7/16	1	0,60 €
11-10	PRT168M-168M-010092	FSTN, LW 7/16 (p)	1	2,41 €
11-11	PRT168M-168M-042280	FSTN, HHCS 7/16-20 X 4 1/2 GR8.	1	9,63 €
11-12	PRT168M-168M-053136	GUARD, CLUTCH PRT168M-168M	1	144,45 €
11-13	PRT168M-168M-010083	FSTN, FW 3/8 (p)	2	2,41 €
11-14	PRT168M-168M-010035	FSTN, HHCS 3/8-16 X 3/4 (p) GR 5	2	2,41 €
11-15	PRT168M-168M-048932	BAR, BATTERY HOLD DOWN MSP425	1	99,30 €
11-16	PRT168M-168M-012612	FSTN, NUT HEX NYLOCK 5/16-18	2	2,41 €
11-17	PRT168M-168M-047715	ROD, 5/16-18 BATTERY RETAINER	2	9,45 €
11-18	PRT168M-ROL6.5D-031403	CUSHION F/ BATTERY STRAP	3	2,40 €
11-19	PRT168M-168M-010100	FSTN, NUT HEX 5/16-18	4	2,41 €
11-20	PRT168M-ROL6.5D-000001	BATTERY 12V 625CA	1	186,90 €
11-21	PRT168M-168M-053210	KEY, 3/16 x 1/4 x 2	1	12,04 €
11-22	PRT168M-168M-010035	FSTN, HHCS 3/8-16 X 3/4 (p) GR 5	2	2,41 €
11-23	PRT168M-168M-020604	CLIP, WIRE HOLDER INS. 3/8 BLT	5	5,60 €
11-24	PRT168M-168M-010464	FSTN, NUT HEX NYLOCK 3/8-16	2	2,41 €
11-25	PRT168M-168M-010273	KEY, 3/16" SQ X 2" LG (p)	2	2,41 €
11-26	PRT168M-168M-024967	COUPLER, 3/4 X 1 FLEX DISC (p)	2	285,88 €
11-27	PRT168M-168M-024971	SHAFT, DRIVE END 3-1/8"	2	69,81 €
11-28	PRT168M-168M-026992	KEY, 1/4" SQ X 3-1/8" LG	2	4,81 €
11-29	PRT168M-168M-024968	COUPLER, 1 X 1 FLEX DISC (p)	2	245,25 €
11-30	PRT168M-168M-011791	KEY, 1/4" SQ X 1" LG	2	1,20 €
11-31	PRT168M-168M-024820	KEY, 1/4" SQ X 4" LG (p)	1	4,81 €
11-32	PRT168M-168M-050070	SHAFT, DRIVE - 17-1/2" PRT168M-168M	1	129,68 €
11-33	PRT168M-168M-053194	SPACER, BEARING 4-3/4" PRT168M-168M	1	28,45 €
11-34	PRT168M-168M-010053	FSTN, HHCS 7/16-14 X 1-1/2	4	2,41 €
11-35	PRT168M-168M-010084	FSTN, FW 7/16	4	0,60 €
11-36	PRT168M-168M-019334	BEARING, Ø1 ID SCJT-1 FLANGE	2	178,75 €
11-37	PRT168M-168M-010092	FSTN, LW 7/16 (p)	4	2,41 €
11-38	PRT168M-168M-010104	FSTN, NUT HEX 7/16-14 (p)	4	2,41 €
11-39	PRT168M-168M-051332	BELT, CVT Retro Fit Hoffco/CV	1	382,18 €
11-40	PRT168M-168M-053389	PULLEY, PRT168M-168M DRIVEN	1	668,05 €
11-41	PRT168M-168M-053193	SPACER, BEARING 1-3/8" PRT168M-168M	1	22,10 €
11-42	PRT168M-168M-053465	ENGINE PLATE MEMBER	1	22,10 €
11-43	PRT168M-168M-010091	FSTN, LW 3/8 (p)	2	2,41 €
11-44	PRT168M-168M-010035	FSTN, HHCS 3/8-16 X 3/4 (p) GR 5	2	2,41 €
11-45	PRT168M-168M-010313	FSTN, SHSSKP/NP 5/16-18 X 3/8	16	4,81 €
11-46	PRT168M-168M-040637	FSTN, HHCS 3/8-16 X 2-1/4 (p) GR 5	4	2,41 €
11-47	PRT168M-168M-010083	FSTN, FW 3/8 (p)	4	2,41 €
11-48	PRT168M-168M-010464	FSTN, NUT HEX NYLOCK 3/8-16	4	2,41 €
11-49	PRT168M-168M-052723	BRKT, THROTTLE CABLE	1	40,70 €
11-50	PRT168M-168M-050069	ENGINE PLATE WELDMENT PRT168M-168M	1	307,75 €
11-51	PRT168M-168M-048684	CABLE, POS BATTERY	1	39,40 €
11-52	PRT168M-168M-053216	CABLE, NEG. BATTERY	1	31,70 €
11-53	PRT168M-168M-032146	OIL SENDING UNIT, HONDA	1	101,11 €
11-54	PRT168M-168M-032300	THROTTLE CABLE	1	113,75 €
11-55	PRT168M-168M-024984	PIVOT, FOOT SPEED CONTROL	2	16,85 €
11-56	PRT168M-W6-GB-1	WASHER M6	2	2,40 €
11-57	PRT168M-SP.PIN-1.6x20	SPLIT PIN	2	2,40 €
11-58	PRT168M-168M-039155	1/4" FUEL LINE	660mm	28,89 €

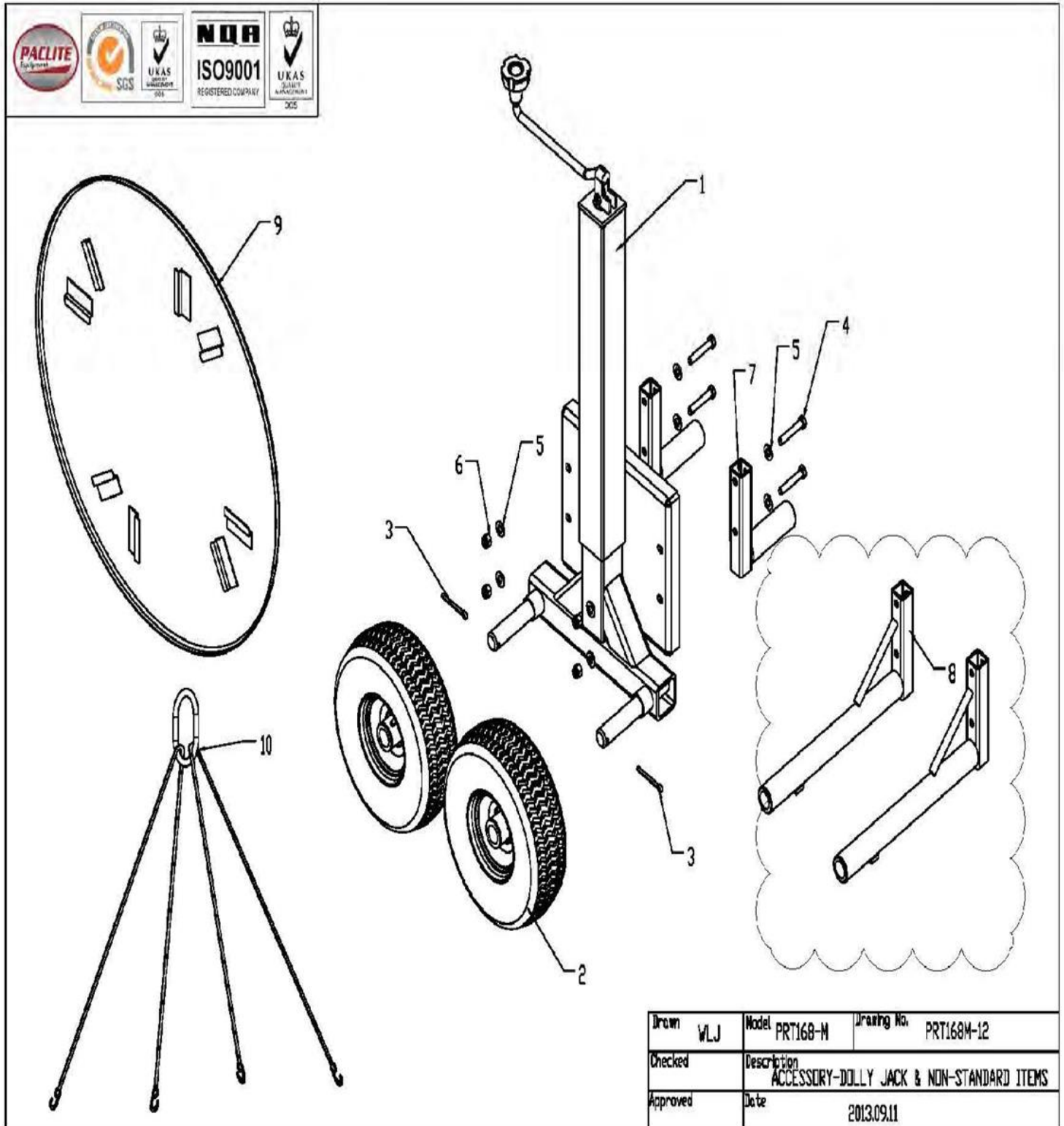
11-59	PRT168M-168M-055642	7/16" FUEL LINE	90mm	26,90 €
11-60	PRT168M-HOOP.D8-20	HOSE CLAMP	4	2,40 €
11-61	PRT168M-RAM70B-000021	HOSE BAND	2	2,40 €
11-62	PRT168M-168M-038070	CABLE, GROUND BRAIDED	1	28,89 €
11-63	PRT168M-168M-053444	DECAL, HOT W/HAND	1	7,20 €
11-64	PRT168M-168M-053453	DECAL, WARNING	1	7,23 €



Drawn	WLJ	Model	PRT168-M	Drawing No.	PRT168M-11
Checked		Description	ENGINE & DRIVER SYSTEM UNIT		
Approved		Date	2013.09.11		

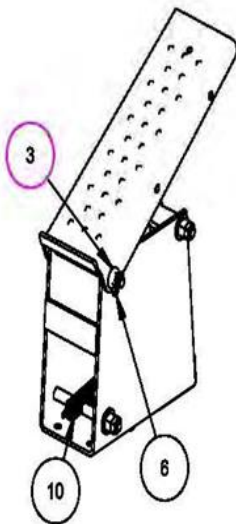
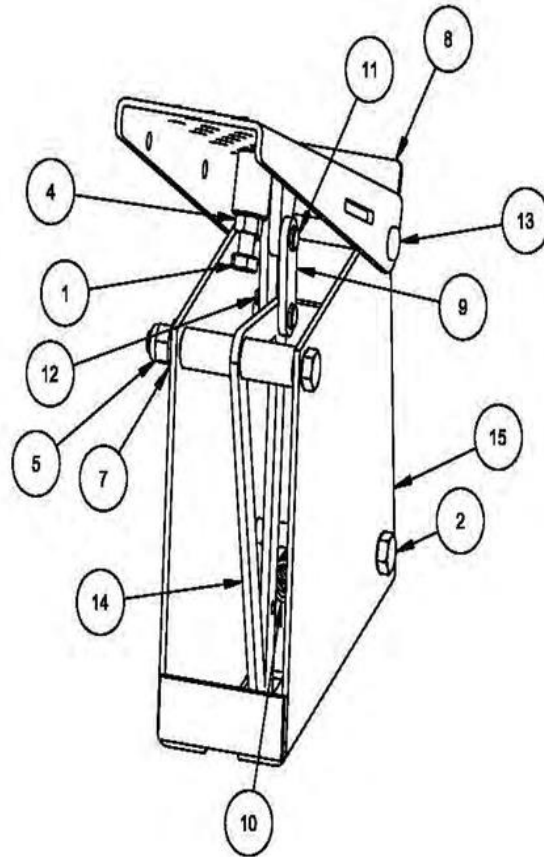
PRT168M-12 ACCESSORY-DOLLY JACK@NON-STANDDARD ITEMS

NO.	PART NO.	PART DESCRIPTION	QTY	UNIT PRICE (EURO) 2021
	PRT168M-168M-027684	SET,PRO DOLLY JACK	1	
12-1	PRT168M-168M-026938	JACK DOLLY	2	812,50 €
12-2	PRT168M-168M-099014	ASSEMBLY, PNEUMATIC TIRE AND WHEEL	4	70,41 €
12-3	PRT168M-168M-010133	PIN, 3/16 X 2 COTTER	4	2,41 €
12-4	PRT168M-168M-040637	SCREW,3/8-16 X 2-1/4 GRADE 8 HEX HD CAP	8	2,41 €
12-5	PRT168M-168M-017751	WASHER, FW 3/8 FLAT	16	2,41 €
12-6	PRT168M-168M-010464	NUT, 3/8-16 NYLOCK LOCK	8	2,41 €
12-7	PRT168M-168M-026729	ASSEMBLY, DOLLY JACK TUBE	2	65,00 €
12-8	PRT168M-168M-026728	ASSEMBLY, REAR DOLLY TUBE	2	189,59 €
12-9	PRT168M-168M-047128	PAN, UNIVERSAL 36-1/2" 4-CLIP	2	281,25 €
12-10	PRT168M-168M-035461	BRIDLE ,2500 LB 5 FT SLING LIFT	1	362,50 €



PRT168M-13 THROTTLE PEDAL ASSEMBLY

NO.	PART NO.	PART DESCRIPTION	QTY	UNIT PRICE (EURO) 2021
	PRT168M-168M-053188	ASSY, THROTTLE PEDAL	1	
13-1	PRT168M-168M-010020	FSTN, HHCS 5/16-18 X 1 GR 5	1	2,41 €
13-2	PRT168M-168M-010046	FSTN, HHCS 3/8-16 X 3-1/2 GR 5	2	2,41 €
13-3	PRT168M-168M-010082	FSTN, FW 5/16	1	2,41 €
13-4	PRT168M-168M-010100	FSTN, NUT HEX 5/16-18	1	2,41 €
13-5	PRT168M-168M-010464	FSTN, NUT NYLOK 3/8-16	2	2,41 €
13-6	PRT168M-168M-012361	PIN, Ø1/8x1 COTTER(Ø1/8 PIN)	1	2,41 €
13-7	PRT168M-168M-017751	FSTN, FW HARD A325 3/8	2	2,41 €
13-8	PRT168M-168M-024839	ASSY, FOOT SPEED PEDAL	1	260,30 €
13-9	PRT168M-168M-024850	SHACKLE 1-7/8" FOOT SPEED LONG	2	10,85 €
13-10	PRT168M-168M-024981	SPRING	1	21,66 €
13-11	PRT168M-168M-024982	PIN CLEVIS 1/4x51/64	2	33,70 €
13-12	PRT168M-168M-026226	PIN, Ø3/32x3/4 COTTER(Ø3/32 PIN)	2	1,20 €
13-13	PRT168M-168M-028895	PIN CLEVIS Ø3/8x3-3/4	1	13,75 €
13-14	PRT168M-168M-037947	FULCRUM, THROTTLE PEDAL	1	46,95 €
13-15	PRT168M-168M-053186	BASE F /THROTTLE PEDAL	1	180,56 €



Drawn	WLJ	Model	PRT168-M	Drawing No.	PRT168M-13
Checked		Description	THROTTLE PEDAL ASSEMBLY		
Approved		Date	2013.09.11		