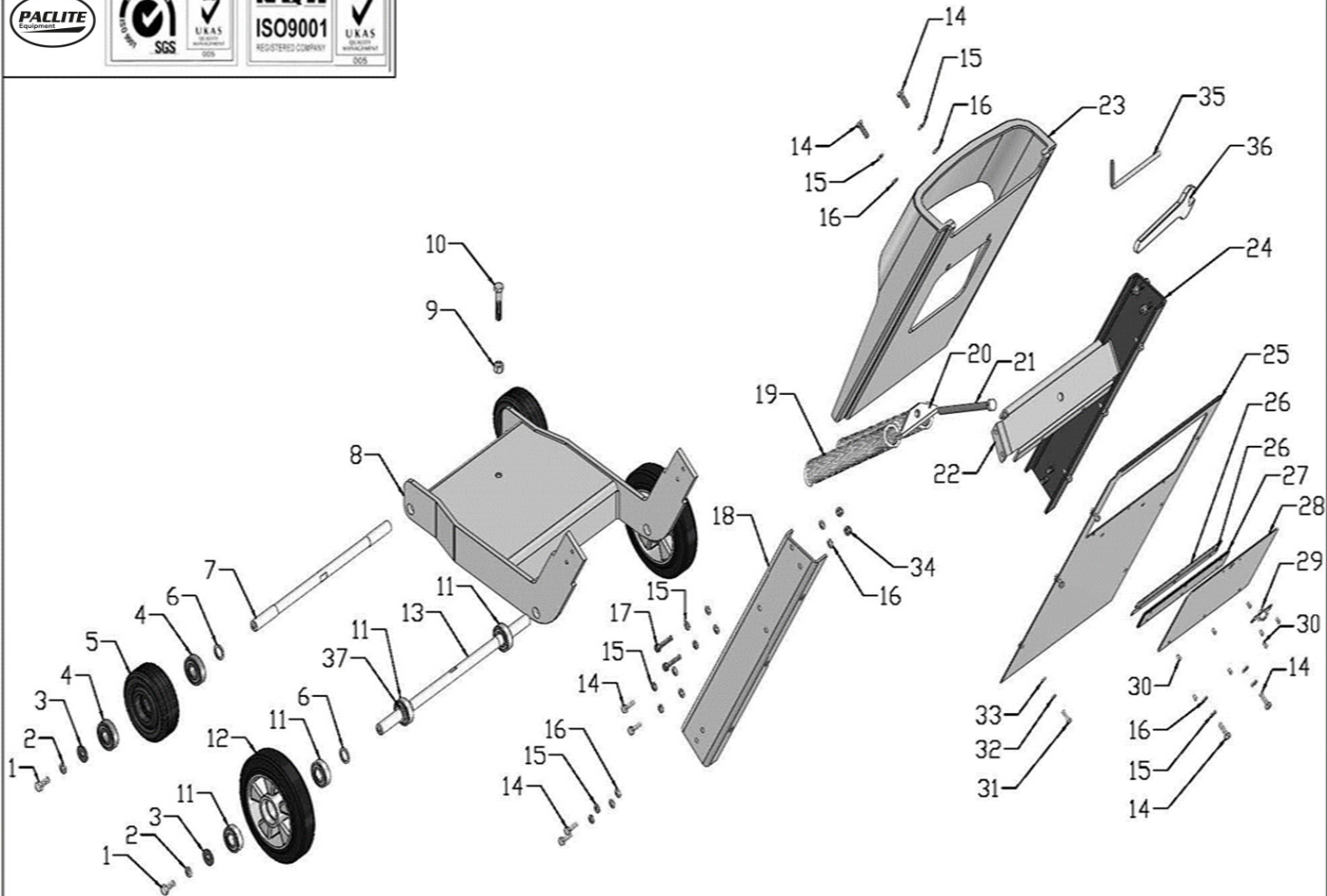


PRECISION CUT 500D-01 WHEEL FRAME ASSY

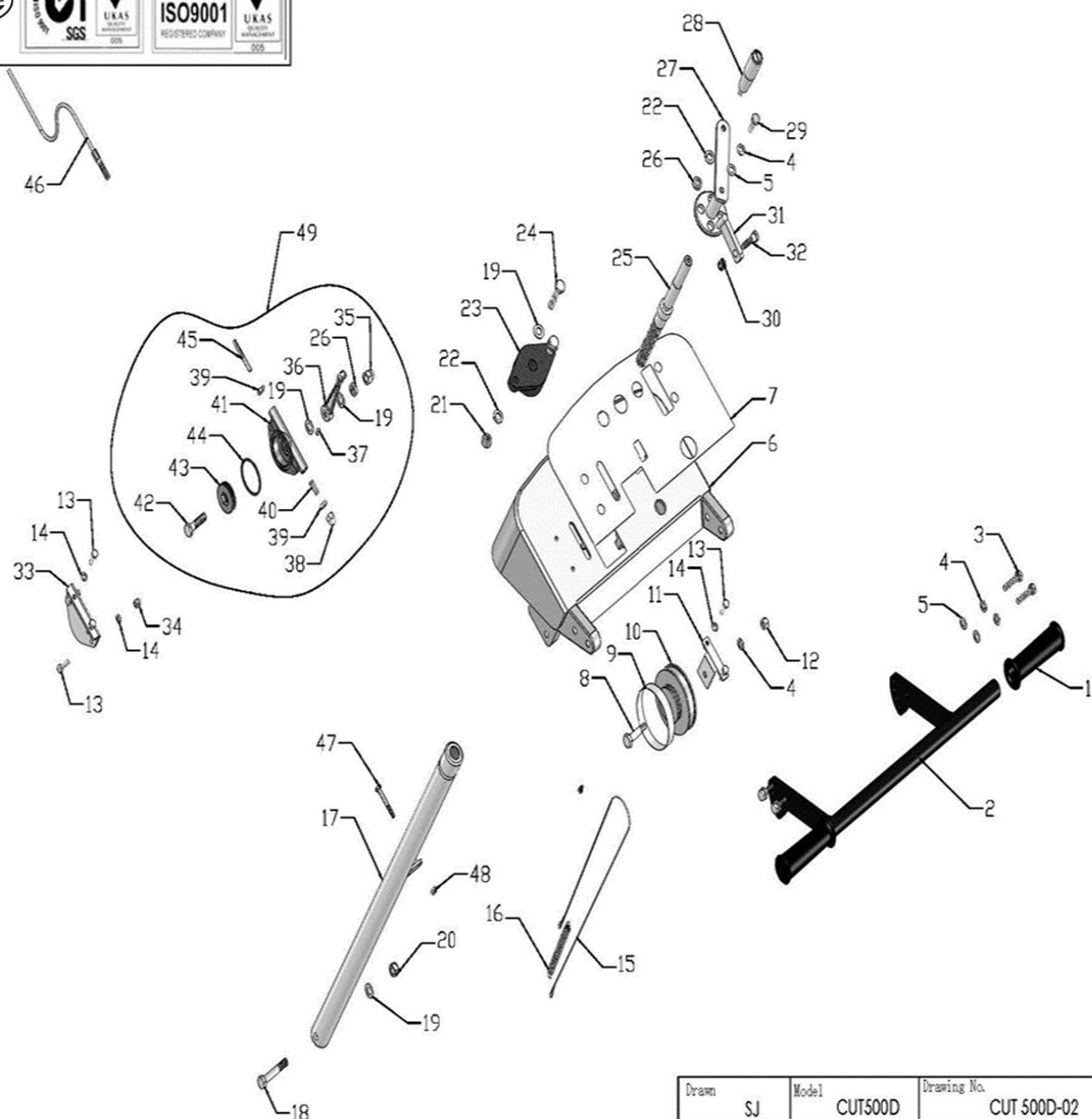
| NO. | PART NO. | PART DESCRIPTION | QTY | UNIT PRICE (EURO) 2021 |
|-------|---|---------------------------|-----|------------------------|
| 01-1 | PRECISION CUT 500D-FN.B-M10x25-8.8-DIN-2 | BOLT | 4 | 0,35 € |
| 01-2 | PRECISION CUT 500D-HSPG.W10-DIN-2 | SPRING WASHER,TANG ENDS | 4 | 0,18 € |
| 01-3 | PRECISION CUT 500D-WOD.W10-GB-2 | LARGE WASHER | 4 | 0,23 € |
| 01-4 | PRECISION CUT 500D-W01-6203ZZ-G | BEARING | 4 | 9,55 € |
| 01-5 | PRECISION CUT 500D-20-050400 | FRONT WHEEL | 2 | 80,51 € |
| 01-6 | PRECISION CUT 500D-20A-010417 | WASHER | 8 | 17,36 € |
| 01-7 | PRECISION CUT 500D-20A-1B40-07-A | FRONT WHEEL SHAFT | 1 | 41,40 € |
| 01-8 | PRECISION CUT 500D-20A-1B40-08-A | WHEEL BRACKET | 1 | 397,69 € |
| 01-9 | PRECISION CUT 500D-FN.N-M12-DIN-2 | NUT | 1 | 0,23 € |
| 01-10 | PRECISION CUT 500D-FN.B-M12x60-8.8-DIN-2 | BOLT | 1 | 0,75 € |
| 01-11 | PRECISION CUT 500D-W01-6204ZZ-G | BEARING | 6 | 5,86 € |
| 01-12 | PRECISION CUT 500D-20A-010500 | REAR WHEEL | 2 | 166,11 € |
| 01-13 | PRECISION CUT 500D-20A-010413 | REAR WHEEL SHAFT | 1 | 43,64 € |
| 01-14 | PRECISION CUT 500D-FN.B-M8x25-8.8-DIN-2 | BOLT | 12 | 0,18 € |
| 01-15 | PRECISION CUT 500D-HSPG.W8-DIN-2 | SPRING WASHER,TANG ENDS | 16 | 0,18 € |
| 01-16 | PRECISION CUT 500D-FN.W8-DIN-2 | WASHER | 16 | 0,11 € |
| 01-17 | PRECISION CUT 500D-FN.B-M8x30-8.8-DIN-2 | BOLT | 4 | 0,23 € |
| 01-18 | PRECISION CUT 500D-20A-020200L | LEFT PLANK | 1 | 69,78 € |
| 01-19 | PRECISION CUT 500D-20A-010409 | SPRING | 2 | 80,51 € |
| 01-20 | PRECISION CUT 500D-20A-020300 | SPRING HOOK | 1 | 15,13 € |
| 01-21 | PRECISION CUT 500D-FN.B-M12x180-8.8-DIN-2 | BOLT | 1 | 1,90 € |
| 01-22 | PRECISION CUT 500D-20A-020400 | PLANK | 1 | 42,56 € |
| 01-23 | PRECISION CUT 500D-20A-020201 | INSIDE SUPPORT COVER | 1 | 129,73 € |
| 01-24 | PRECISION CUT 500D-20A-020200R | RIGHT PLANK | 1 | 87,29 € |
| 01-25 | PRECISION CUT 500D-20A-020900 | MAIN BODY PLANK | 1 | 113,43 € |
| 01-26 | PRECISION CUT 500D-20A-020211 | PLANK | 2 | 9,84 € |
| 01-27 | PRECISION CUT 500D-20A-020205 | RUBBER CONNECT PATCH | 1 | 12,83 € |
| 01-28 | PRECISION CUT 500D-20A-020204 | COVER | 1 | 32,55 € |
| 01-29 | PRECISION CUT 500D-20A-030411 | LOCK | 1 | 42,56 € |
| 01-30 | PRECISION CUT 500D-K.RVT-4.0x10 | RIVET | 8 | 0,18 € |
| 01-31 | PRECISION CUT 500D-FN.B-M6x20-8.8-DIN-2 | BOLT | 6 | 0,18 € |
| 01-32 | PRECISION CUT 500D-HSPG.W6-DIN-2 | SPRING WASHER,TANG ENDS | 6 | 0,18 € |
| 01-33 | PRECISION CUT 500D-FN.W6-DIN-2 | WASHER | 6 | 0,18 € |
| 01-34 | PRECISION CUT 500D-IN.N-M8-DIN-2 | LOCK NUT | 4 | 0,18 € |
| 01-35 | PRECISION CUT 500D-20A-021100 | LOCK PIN | 1 | 12,08 € |
| 01-36 | PRECISION CUT 500D-20A-021200 | SPANNER | 1 | 39,68 € |
| 01-37 | PRECISION CUT 500D-20A-1B40-185-A | REAR WHEEL BEARING WASHER | 2 | 4,25 € |



| | | | | | |
|----------|-----|-------------|------------------|-------------|-------------|
| Drawn | SJ | Model | CUT 500D | Drawing No. | CUT 500D-01 |
| Checked | LIM | Description | WHEEL FRAME ASSY | | |
| Approved | | Date | 2012/07/09 | | |

PRECISION CUT 500D-02 OPERATION CONTROL PANEL ASSY

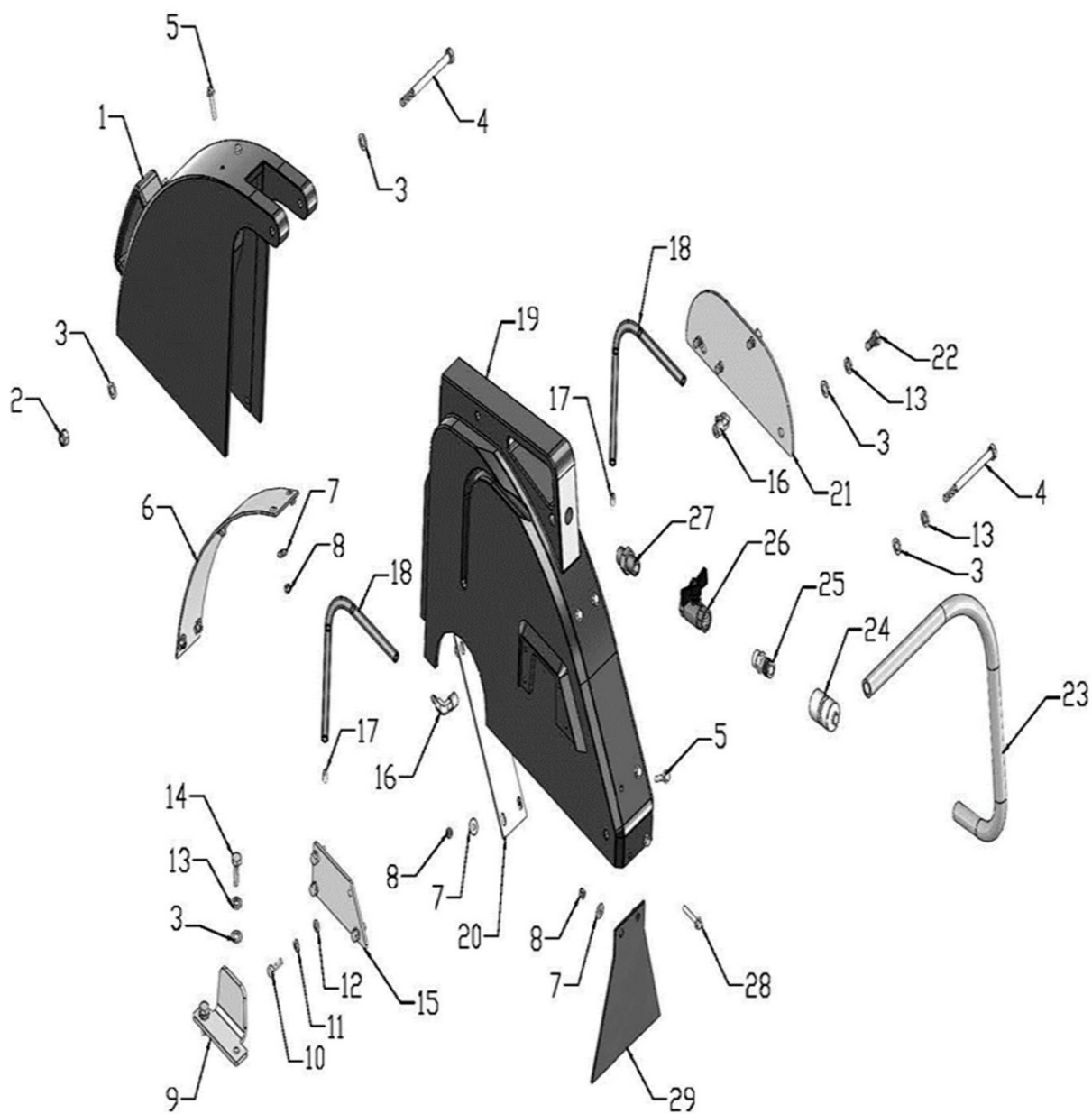
| NO. | PART NO. | PART DESCRIPTION | QTY | UNIT PRICE (EURO) 2021 |
|-------|--|-----------------------------|-----|------------------------|
| 02-1 | PRECISION CUT 500D-100G-010001 | HANDLE COVER | 2 | 5,46 € |
| 02-2 | PRECISION CUT 500D-20A-020500 | HANDLE | 1 | 39,80 € |
| 02-3 | PRECISION CUT 500D-FN.B-M8x35-8.8-DIN-2 | BOLT | 4 | 0,23 € |
| 02-4 | PRECISION CUT 500D-HSPG.W8-DIN-2 | SPRING WASHER,TANG ENDS | 6 | 0,17 € |
| 02-5 | PRECISION CUT 500D-FN.W8-DIN-2 | WASHER | 5 | 0,12 € |
| 02-6 | PRECISION CUT 500D-20A-020100P | OPERATION FACEPLATE | 1 | 264,10 € |
| 02-7 | PRECISION CUT 500D-20A-1B40-40 | STICK PAPER | 1 | 31,28 € |
| 02-8 | PRECISION CUT 500D-20A-020221 | BOLT | 1 | 19,03 € |
| 02-9 | PRECISION CUT 500D-20A-020222 | STICK PAPER ,DEPTH | 1 | 5,46 € |
| 02-10 | PRECISION CUT 500D-20A-020206 | SHOW WHEEL | 1 | 41,83 € |
| 02-11 | PRECISION CUT 500D-20A-020209 | BRACKET | 1 | 6,79 € |
| 02-12 | PRECISION CUT 500D-FN.N-M8-DIN-2 | NUT | 1 | 0,12 € |
| 02-13 | PRECISION CUT 500D-FN.B-M6x20-8.8-DIN-2 | BOLT | 8 | 0,17 € |
| 02-14 | PRECISION CUT 500D-HSPG.W6-DIN-2 | SPRING WASHER,TANG ENDS | 8 | 0,17 € |
| 02-15 | PRECISION CUT 500D-20A-030418 | LINE | 1 | 8,17 € |
| 02-16 | PRECISION CUT 500D-43-051001 | TENSION SPRING | 1 | 11,56 € |
| 02-17 | PRECISION CUT 500D-20A-020600 | SHAFT | 1 | 103,59 € |
| 02-18 | PRECISION CUT 500D-FN.B-M10x60-8.8HALF-DIN-2 | BOLT | 1 | 0,46 € |
| 02-19 | PRECISION CUT 500D-FN.W10-DIN-2 | WASHER | 5 | 0,17 € |
| 02-20 | PRECISION CUT 500D-IN.N-M10-DIN-2 | LOCK NUT | 1 | 0,17 € |
| 02-21 | PRECISION CUT 500D-FN.N-M10-DIN-2 | NUT | 2 | 0,12 € |
| 02-22 | PRECISION CUT 500D-HSPG.W10-DIN-2 | SPRING WASHER,TANG ENDS | 3 | 0,17 € |
| 02-23 | PRECISION CUT 500D-W01-UCFL203-J | BEARING | 1 | 48,47 € |
| 02-24 | PRECISION CUT 500D-FN.B-M10x45-8.8-DIN-2 | BOLT | 2 | 0,35 € |
| 02-25 | PRECISION CUT 500D-20A-020207 | SCREW SHAFT | 1 | 52,05 € |
| 02-26 | PRECISION CUT 500D-FNL.N-M10-DIN-2 | HEXAGON THIN NUT | 3 | 0,12 € |
| 02-27 | PRECISION CUT 500D-12-020100 | ROCKER | 1 | 42,21 € |
| 02-28 | PRECISION CUT 500D-16-000009 | HANDLE | 1 | 15,64 € |
| 02-29 | PRECISION CUT 500D-FN.B-M8x25-8.8-DIN-2 | BOLT | 1 | 0,17 € |
| 02-30 | PRECISION CUT 500D-IN.N-M8-DIN-2 | LOCK NUT | 1 | 0,17 € |
| 02-31 | PRECISION CUT 500D-20A-020101 | LOCK PIN | 1 | 10,87 € |
| 02-32 | PRECISION CUT 500D-12-000007 | ADJUSTING BOLT | 1 | 8,17 € |
| 02-33 | PRECISION CUT 500D-20A-020220 | THROTTLE LEVER SUPPORT | 1 | 23,81 € |
| 02-34 | PRECISION CUT 500D-HC.N-M6-DIN-2 | CAP NUT | 2 | 0,23 € |
| 02-35 | PRECISION CUT 500D-HC.N-M10-DIN-2 | CAP NUT | 1 | 0,40 € |
| 02-36 | PRECISION CUT 500D-70ND-060000 | THROTTLE LEVER | 1 | 26,57 € |
| 02-37 | PRECISION CUT 500D-FHSS.S-M6x8-GB-3 | SOCKET SCREW WITH FLAT HEAD | 1 | 0,12 € |
| 02-38 | PRECISION CUT 500D-HC.N-M8-DIN-2 | CAP NUT | 1 | 0,23 € |
| 02-39 | PRECISION CUT 500D-FNL.N-M8-DIN-2 | HEXAGON THIN NUT | 2 | 0,12 € |
| 02-40 | PRECISION CUT 500D-FHSS.S-M8x20-GB-3 | SOCKET SCREW WITH FLAT HEAD | 1 | 0,23 € |
| 02-41 | PRECISION CUT 500D-70ND-060001 | THROTTLE BODY | 1 | 36,74 € |
| 02-42 | PRECISION CUT 500D-70ND-060003 | BOLT | 1 | 14,95 € |
| 02-43 | PRECISION CUT 500D-70ND-060002 | THROTTLE GEAR | 1 | 29,96 € |
| 02-44 | PRECISION CUT 500D-W04-45x3 | O-RING | 1 | 5,46 € |
| 02-45 | PRECISION CUT 500D-70ND-060004 | SLIDER | 1 | 8,86 € |
| 02-46 | PRECISION CUT 500D-W06-S04-L1100x1300 | THROTTLE CABLE | 1 | 52,57 € |
| 02-47 | PRECISION CUT 500D-FN.B-M6x45-8.8-DIN-2 | BOLT | 1 | 0,12 € |
| 02-48 | PRECISION CUT 500D-IN.N-M6-DIN-2 | LOCK NUT | 1 | 0,12 € |
| 02-49 | PRECISION CUT 500D-70ND-010018 | THROTTLE LEVER ASSY | 1 | 91,86 € |



| | | | | | |
|----------|-----|-------------|------------------------------|-------------|-------------|
| Drawn | SJ | Model | CUT500D | Drawing No. | CUT 500D-02 |
| Checked | LIM | Description | OPERATION CONTROL PANEL ASSY | | |
| Approved | | Date | 2012/07/10 | | |

PRECISION CUT 500D-03 BLADE GUARD ASSY

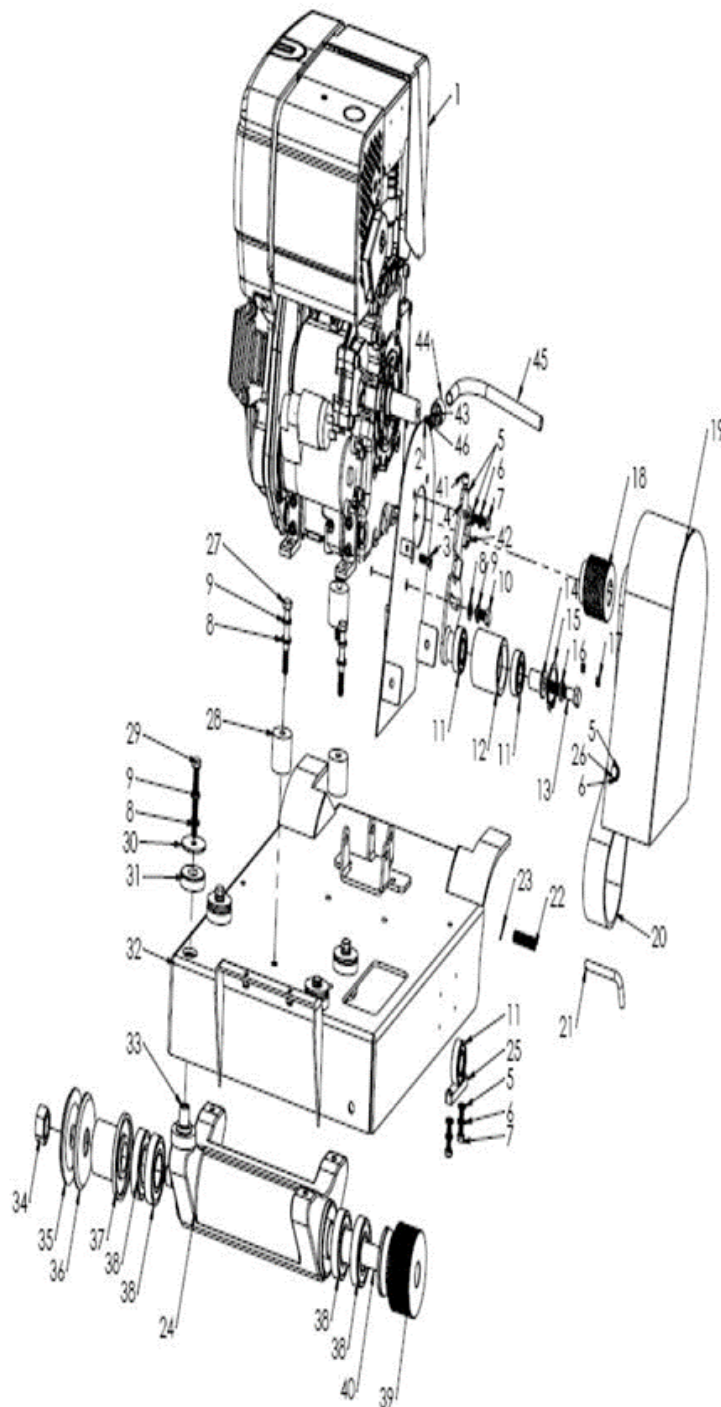
| NO. | PART NO. | PART DESCRIPTION | QTY | UNIT PRICE (EURO) 2021 |
|-------|--|-------------------------|-----|------------------------|
| 03-1 | PRECISION CUT 500D-20A-010402 | BLADE GUARD | 1 | 135,28 € |
| 03-2 | PRECISION CUT 500D-IN.N-M8-DIN-2 | LOCK NUT | 1 | 0,17 € |
| 03-3 | PRECISION CUT 500D-FN.W8-DIN-2 | WASHER | 9 | 0,12 € |
| 03-4 | PRECISION CUT 500D-FN.B-M8x100-8.8HALF-DIN-2 | BOLT | 2 | 0,46 € |
| 03-5 | PRECISION CUT 500D-HF.B-M5x25-8.8-DIN-2 | HEXAGON FLANGE BOLT | 9 | 0,29 € |
| 03-6 | PRECISION CUT 500D-20A-010431 | UNDERLAY | 1 | 17,71 € |
| 03-7 | PRECISION CUT 500D-WOD.W5-GB-2 | WASHER | 11 | 0,12 € |
| 03-8 | PRECISION CUT 500D-IN.N-M5-DIN-2 | LOCK NUT | 11 | 0,12 € |
| 03-9 | PRECISION CUT 500D-20A-010405 | BLADE GUARD SUPPORT | 1 | 12,25 € |
| 03-10 | PRECISION CUT 500D-FN.B-M6x20-8.8-DIN-2 | BOLT | 4 | 0,17 € |
| 03-11 | PRECISION CUT 500D-HSPG.W6-DIN-2 | SPRING WASHER,TANG ENDS | 4 | 0,17 € |
| 03-12 | PRECISION CUT 500D-FN.W6-DIN-2 | WASHER | 4 | 0,17 € |
| 03-13 | PRECISION CUT 500D-HSPG.W8-DIN-2 | SPRING WASHER,TANG ENDS | 7 | 0,17 € |
| 03-14 | PRECISION CUT 500D-FN.B-M8x25-8.8-DIN-2 | BOLT | 2 | 0,17 € |
| 03-15 | PRECISION CUT 500D-20A-010403 | FIXED PLATE | 1 | 9,60 € |
| 03-16 | PRECISION CUT 500D-20A-030415 | 90° ELBOW | 2 | 16,33 € |
| 03-17 | PRECISION CUT 500D-20A-010428 | SPRINKLE | 2 | 19,72 € |
| 03-18 | PRECISION CUT 500D-20A-030413 | HOSE | 2 | 1,38 € |
| 03-19 | PRECISION CUT 500D-20A-010401 | BLADE GUARD | 1 | 218,18 € |
| 03-20 | PRECISION CUT 500D-20A-010430 | UNDERLAY | 1 | 9,55 € |
| 03-21 | PRECISION CUT 500D-20A-010404 | CONNECT PLATE | 1 | 6,15 € |
| 03-22 | PRECISION CUT 500D-FN.B-M8x16-8.8-DIN-2 | BOLT | 4 | 0,17 € |
| 03-23 | PRECISION CUT 500D-20A-030416 | HOSE | 1 | 23,12 € |
| 03-24 | PRECISION CUT 500D-20A-030412 | SPDDE TIE-IN | 1 | 21,10 € |
| 03-25 | PRECISION CUT 500D-KSJT-G3/8-16 | HOSE NIPPLE | 1 | 20,41 € |
| 03-26 | PRECISION CUT 500D-6.5-070001 | CULVERT VALVE | 1 | 18,40 € |
| 03-27 | PRECISION CUT 500D-650-070400 | CONNECTOR | 1 | 19,03 € |
| 03-28 | PRECISION CUT 500D-HF.B-M5x30-8.8-DIN-2 | HEXAGON FLANGE BOLT | 2 | 0,23 € |
| 03-29 | PRECISION CUT 500D-16-000005 | DUST JACKET | 1 | 7,48 € |



| | | | | | |
|----------|----|-------------|------------------|-------------|-------------|
| Drawn | SJ | Model | CUT 500D | Drawing No. | CUT 500D-03 |
| Checked | | Description | BLADE GUARD ASSY | | |
| Approved | | Date | 2012/07/10 | | |

PRECISION CUT 500D-04 BASE PLATE & ENGINE ASSY

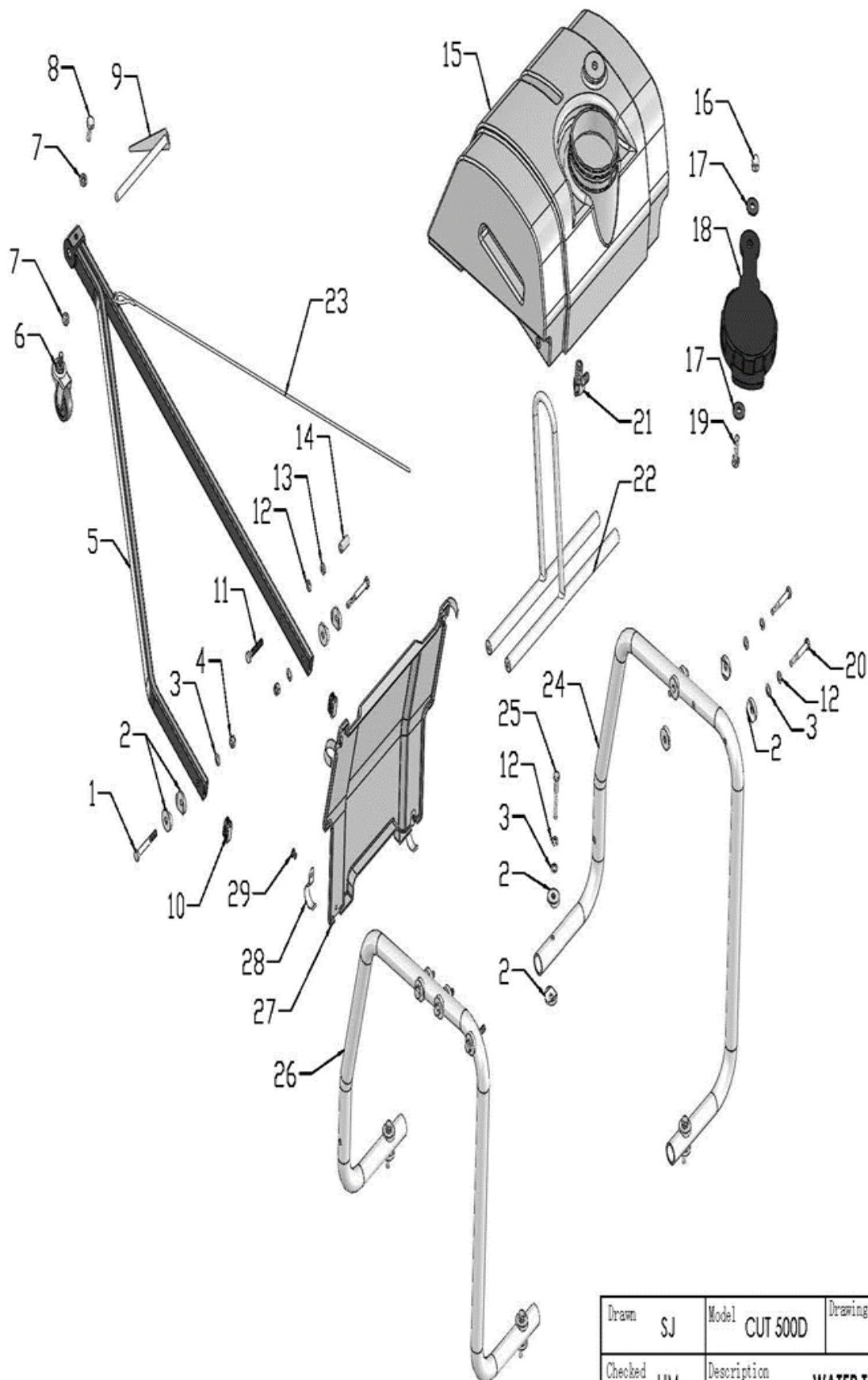
| NO. | PART NO. | PART DESCRIPTION | QTY | UNIT PRICE (EURO) 2021 |
|-------|--|-------------------------|-----|------------------------|
| 04-1 | PRECISION CUT 500D-W05-1B40-9 | Engine | 1 | |
| 04-2 | PRECISION CUT 500D-20A-1B40-146-A | Belt Cover | 1 | 63,52 € |
| 04-3 | PRECISION CUT 500D-HSF.S-M8x25-8.8-DIN-1 | Counter Sink Bolt | 1 | 0,35 € |
| 04-4 | PRECISION CUT 500D-20A-1B40-142.1-A | Idler Bracket | 1 | 53,69 € |
| 04-5 | PRECISION CUT 500D-FN.W8-DIN-1 | Washer | 9 | 0,12 € |
| 04-6 | PRECISION CUT 500D-HSPG.W8-DIN-1 | Spring Washer Tang Ends | 7 | 0,17 € |
| 04-7 | PRECISION CUT 500D-FN.B-M8x25-8.8-DIN-1 | Bolt | 3 | 0,17 € |
| 04-8 | PRECISION CUT 500D-FN.W10-DIN-1 | Washer | 10 | 0,12 € |
| 04-9 | PRECISION CUT 500D-HSPG.W10-DIN-1 | Spring Washer Tang Ends | 10 | 0,17 € |
| 04-10 | PRECISION CUT 500D-FN.B-M10x25-8.8-DIN-1 | Bolt | 1 | 0,35 € |
| 04-11 | PRECISION CUT 500D-W01-6204ZZ-G | Bearing | 4 | 5,87 € |
| 04-12 | PRECISION CUT 500D-20A-010423 | Idler | 1 | 43,90 € |
| 04-13 | PRECISION CUT 500D-FN.B-M12x60-8.8-DIN-2 | Bolt | 1 | 0,75 € |
| 04-14 | PRECISION CUT 500D-20A-030409 | Bearing Bush | 1 | 21,79 € |
| 04-15 | PRECISION CUT 500D-CH.RG47 | Internal Circlip | 1 | 0,75 € |
| 04-16 | PRECISION CUT 500D-HSPG.W12-DIN-2 | Spring Washer Tang Ends | 1 | 0,12 € |
| 04-17 | PRECISION CUT 500D-FHSS.S-M8x8-GB-3 | Socket Screw | 2 | 0,17 € |
| 04-18 | PRECISION CUT 500D-20A-010408A | PTO Pulley | 1 | 40,48 € |
| 04-19 | PRECISION CUT 500D-20A-1B40-132-A | V Belt cover | 1 | 106,04 € |
| 04-20 | PRECISION CUT 500D-W02-12PK884 | Belt | 1 | 45,02 € |
| 04-21 | PRECISION CUT 500D-20A-010427 | Brake Bar | 1 | 12,94 € |
| 04-22 | PRECISION CUT 500D-19.0.033 | Spring | 1 | 7,48 € |
| 04-23 | PRECISION CUT 500D-20A-1B40-SP.PIN-1.6x20 | Split Pin | 1 | 0,12 € |
| 04-24 | PRECISION CUT 500D-16A-26-C | Spindle Mount | 1 | 186,21 € |
| 04-25 | PRECISION CUT 500D-16A-03-A | Bearing Support bar | 2 | 42,72 € |
| 04-26 | PRECISION CUT 500D-FN.B-M8x12-8.8-DIN-1 | Bolt | 2 | 0,23 € |
| 04-27 | PRECISION CUT 500D-FN.B-M10x70-12.9 HALF-DIN-1 | Bolt | 4 | 0,46 € |
| 04-28 | PRECISION CUT 500D-20A-1B40-163.2-A | Engine Support | 1 | 10,18 € |
| 04-29 | PRECISION CUT 500D-FN.B-M10x75-12.9-DIN-1 | Bolt | 4 | 0,52 € |
| 04-30 | PRECISION CUT 500D-20A-010418 | Washer | 4 | 13,63 € |
| 04-31 | PRECISION CUT 500D-20A-010700 | Shock Mount A | 4 | 26,57 € |
| 04-32 | PRECISION CUT 500D-20A-1B40-163-A | Engine Base | 1 | 632,43 € |
| 04-33 | PRECISION CUT 500D-20A-010800 | Shock Mount B | 4 | 12,94 € |
| 04-34 | PRECISION CUT 500D-16-050400 | Nut | 1 | 9,60 € |
| 04-35 | PRECISION CUT 500D-16-050500AL | Arbor Left | 1 | 42,21 € |
| 04-36 | PRECISION CUT 500D-16-050500AR | Arbor Right | 1 | 42,21 € |
| 04-37 | PRECISION CUT 500D-16A-49-A | Bearing Cover L | 1 | 55,46 € |
| 04-38 | PRECISION CUT 500D-W01-6207ZZ-G | Bearing | 4 | 25,99 € |
| 04-39 | PRECISION CUT 500D-20A-1B40-159-C | Driven Pulley | 1 | 114,07 € |
| 04-40 | PRECISION CUT 500D-20A-1B40-174-B | Drive Shaft | 1 | 141,80 € |
| 04-41 | PRECISION CUT 500D-HS.B-M8x25-8.8-GB-2 | Bolt | 1 | 0,17 € |
| 04-42 | PRECISION CUT 500D-6.5-080000 | Drain Support | 1 | 2,70 € |
| 04-43 | PRECISION CUT 500D-20A-1B40-100-A | Drain knob | 1 | 29,50 € |
| 04-44 | PRECISION CUT 500D-20A-1B40-101-A | Drain Connector | 1 | 32,66 € |
| 04-45 | PRECISION CUT 500D-20A-020218 | Hose | 1 | 13,63 € |
| 04-46 | PRECISION CUT 500D-W04-Ø8. 8 x1. 9 | O ring | 2 | 0,35 € |



| | | | | | |
|----------|----|-------------|---|-------------|---------------|
| Drawn | SJ | Model | CUT 500D | Drawing No. | CUT 500D - 04 |
| Checked | | Description | BASE PLATE & ENGINE ASSEMBLY | | |
| Approved | | Date | 2012/06/28 | | |

PRECISION CUT 500D-05 WATER TANK ASSY

| NO. | PART NO. | PART DESCRIPTION | QTY | UNIT PRICE (EURO) 2021 |
|-------|---|-------------------------|-----|------------------------|
| 05-1 | PRECISION CUT 500D-FN.B-M8x65-8.8HALF-DIN-2 | BOLT | 2 | 0,29 € |
| 05-2 | PRECISION CUT 500D-20A-030406 | ARC WASHER | 22 | 39,80 € |
| 05-3 | PRECISION CUT 500D-FN.W8-DIN-2 | WASHER | 12 | 0,12 € |
| 05-4 | PRECISION CUT 500D-IN.N-M8-DIN-2 | LOCK NUT | 2 | 0,17 € |
| 05-5 | PRECISION CUT 500D-20A-030100 | LEADING POLE | 1 | 66,33 € |
| 05-6 | PRECISION CUT 500D-20-010006 | MYRIAD WHEEL | 1 | 32,66 € |
| 05-7 | PRECISION CUT 500D-FNL.N-M10-DIN-2 | HEXAGON THIN NUT | 2 | 0,12 € |
| 05-8 | PRECISION CUT 500D-FN.B-M10x25-8.8-DIN-2 | BOLT | 1 | 0,35 € |
| 05-9 | PRECISION CUT 500D-20-010200 | POINTER | 1 | 2,70 € |
| 05-10 | PRECISION CUT 500D-20A-030300 | COVER | 2 | 3,39 € |
| 05-11 | PRECISION CUT 500D-FN.B-M8x45-8.8-DIN-2 | BOLT | 1 | 0,23 € |
| 05-12 | PRECISION CUT 500D-HSPG.W8-DIN-2 | SPRING WASHER,TANG ENDS | 11 | 0,17 € |
| 05-13 | PRECISION CUT 500D-FNL.N-M8-DIN-2 | HEXAGON THIN NUT | 1 | 0,12 € |
| 05-14 | PRECISION CUT 500D-20A-030600 | RUBBER BUSH | 1 | 4,08 € |
| 05-15 | PRECISION CUT 500D-20A-030402 | WATER TANK | 1 | 156,94 € |
| 05-16 | PRECISION CUT 500D-HC.N-M10-DIN-2 | CAP NUT | 1 | 0,40 € |
| 05-17 | PRECISION CUT 500D-WOD.W10-GB-2 | LARGE WASHER | 2 | 0,23 € |
| 05-18 | PRECISION CUT 500D-650-070200 | WATER TANK CAP | 1 | 54,60 € |
| 05-19 | PRECISION CUT 500D-FN.B-M10x35-8.8-DIN-2 | BOLT | 1 | 0,29 € |
| 05-20 | PRECISION CUT 500D-FN.B-M8x55-8.8HALF-DIN-2 | BOLT | 6 | 0,29 € |
| 05-21 | PRECISION CUT 500D-20A-030414 | WATER TANK TIR-IN | 1 | 5,46 € |
| 05-22 | PRECISION CUT 500D-20A-030200 | HOOK | 1 | 22,48 € |
| 05-23 | PRECISION CUT 500D-20A-020218 | LINE | 1 | 13,63 € |
| 05-24 | PRECISION CUT 500D-20A-1B40-126 | RIGHT PLANK | 1 | 111,87 € |
| 05-25 | PRECISION CUT 500D-FN.B-M8x60-8.8-DIN-2 | BOLT | 4 | 0,29 € |
| 05-26 | PRECISION CUT 500D-20A-1B40-128 | LEFT PLANK | 1 | 111,87 € |
| 05-27 | PRECISION CUT 500D-20A-030407PP-A | FRONT BOARD | 1 | 29,96 € |
| 05-28 | PRECISION CUT 500D-20A-030408 | BUTTON | 4 | 3,39 € |
| 05-29 | PRECISION CUT 500D-20A-463214 | BUTTON | 4 | 6,79 € |



| | | | | | |
|----------|-----|-------------|------------------------|-------------|-------------|
| Drawn | SJ | Model | CUT 500D | Drawing No. | CUT 500D-05 |
| Checked | LIM | Description | WATER TANK ASSY | | |
| Approved | | Date | 2012/07/10 | | |