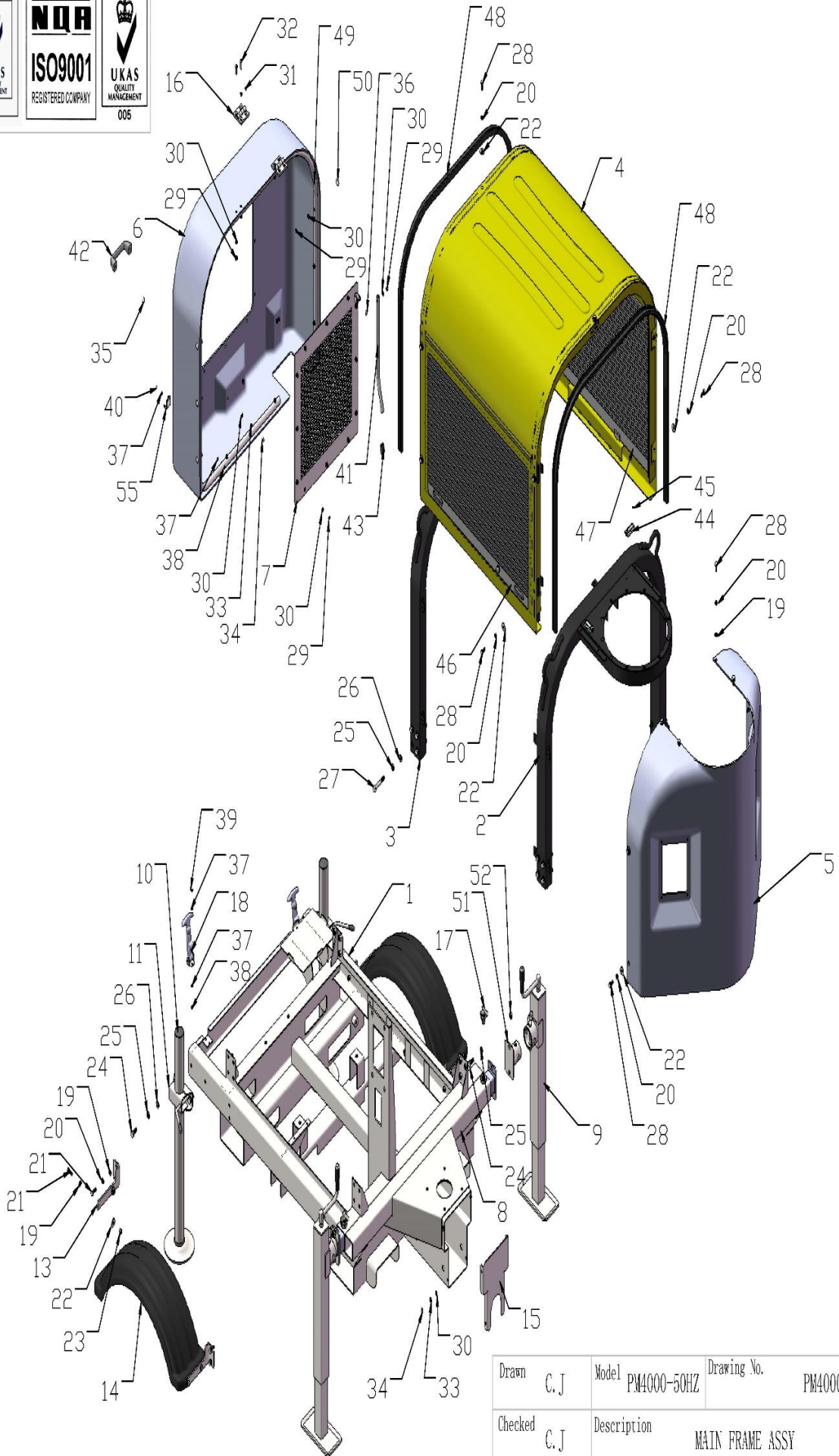


PL4000-50HZ-01 MAIN FRAME ASSY

NO.	PART NO.	PART DESCRIPTION	QTY	UNIT PRICE (EUR) 2021
01-1	PM4000-50HZ-HLT8-4K-010100	MAIN FRAME	1	1 461,71 €
01-2	PM4000-50HZ-HLT8-4K-010200	FRONT FRAME	1	492,96 €
01-3	PM4000-50HZ-HLT8-4K-010300	REAR FRAME	1	397,90 €
01-4	PM4000-50HZ-HLT8-4K-010400	COVER	1	647,42 €
01-5	PM4000-50HZ-HLT8-4K-010500	FRONT COVER	1	479,59 €
01-6	PM4000-50HZ-HLT8-4K-010600	REAR COVER	1	492,17 €
01-7	PM4000-50HZ-HLT8-4K-010700	RADIATOR SHUTTER	1	127,95 €
01-8	PM4000-50HZ-HLT8-4K-010800	TUBULAR FOR STABILIZER	2	178,62 €
01-9	PM4000-50HZ-HLT8-4K-010900	STABILIZER	2	273,20 €
01-10	PM4000-50HZ-HLT8-4K-011000	SUPPORT FOOT	2	174,41 €
01-11	PM4000-50HZ-HLT8-4K-011100	CLAMP FOR FOOT	2	96,87 €
01-12	PM4000-50HZ-HLT8-4K-011200	RIGHT BRACKET FOR FENDER	2	89,27 €
01-13	PM4000-50HZ-HLT8-4K-011300	LEFT BRACKET FOR FENDER	2	89,27 €
01-14	PM4000-50HZ-HLT8-4K-011400	FENDER	2	181,67 €
01-15	PM4000-50HZ-HLT8-4K-011600	FRONT COVER	1	77,17 €
01-16	PM4000-50HZ-HLT8-4K-011800	HINGE	4	33,92 €
01-17	PM4000-50HZ-HLT8-4K-011900	LOCKPIN	2	215,90 €
01-18	PM4000-50HZ-500S-010505	BUCKLE	2	29,89 €
01-19	PM4000-50HZ-FN.W8-DIN-2	WASHER	41	0,33 €
01-20	PM4000-50HZ-HSPG.W8-DIN-2	SPRING WASHER,TANG ENDS	26	0,33 €
01-21	PM4000-50HZ-FN.B-M8x25-8.8-DIN-2	BOLT	16	0,40 €
01-22	PM4000-50HZ-WOD.W8-GB-2	WASHER	22	0,33 €
01-23	PM4000-50HZ-IN.N-M8-DIN-2	LOCK NUT	29	0,33 €
01-24	PM4000-50HZ-FN.B-M10x25-8.8-DIN-2	BOLT	8	0,40 €
01-25	PM4000-50HZ-HSPG.W10-DIN-2	SPRING WASHER,TANG ENDS	24	0,26 €
01-26	PM4000-50HZ-FN.W10-DIN-2	WASHER	20	0,26 €
01-27	PM4000-50HZ-FN.B-M10x70-8.8HALF-DIN-2	BOLT	16	1,39 €
01-28	PM4000-50HZ-FN.B-M8x20-8.8-DIN-2	BOLT	18	0,33 €
01-29	PM4000-50HZ-IN.N-M6-DIN-2	LOCK NUT	23	1,12 €
01-30	PM4000-50HZ-FN.W6-DIN-2	WASHER	29	0,33 €
01-31	PM4000-50HZ-HSF.S-M6x16-8.8-DIN-2	SOCKET COUNTERSUNK HEAD SCREW	4	0,40 €
01-32	PM4000-50HZ-HSF.S-M6x45-8.8-DIN-2	SOCKET COUNTERSUNK HEAD SCREW	4	0,46 €
01-33	PM4000-50HZ-HSPG.W6-DIN-2	SPRING WASHER,TANG ENDS	6	0,33 €
01-34	PM4000-50HZ-FN.B-M6x16-8.8-DIN-2	BOLT	6	0,26 €
01-35	PM4000-50HZ-CHSN.B-M8x25-8.8-GB-2	BOLT	12	0,60 €
01-36	PM4000-50HZ-HS.B-M6x30-8.8-GB-2	SCREW	1	0,40 €
01-37	PM4000-50HZ-FN.W5-DIN-2	WASHER	16	0,33 €
01-38	PM4000-50HZ-IN.N-M5-DIN-2	LOCK NUT	8	0,33 €
01-39	PM4000-50HZ-FN.B-M5x16-8.8-DIN-2	BOLT	4	0,40 €
01-40	PM4000-50HZ-FN.B-M5x20-8.8-DIN-2	BOLT	4	0,60 €
01-41	PM4000-50HZ-HLT8-4K-012000	STAND BAR	1	43,64 €
01-42	PM4000-50HZ-HLT8-4K-012300	HANDLE	1	55,61 €
01-43	PM4000-50HZ-HLT8-4K-012100	PIPE CAP	1	4,10 €
01-44	PM4000-50HZ-HLT8-4K-012200	SPIRIT LEVEL	2	16,80 €
01-45	PM4000-50HZ-PAN.S-M4x10-GB-2	PAN HEAD SCREW	4	0,40 €
01-46	PM4000-50HZ-HLT8-4K-012400	SIDE DOOR,RIGHT	1	180,20 €
01-47	PM4000-50HZ-HLT8-4K-012500	SIDE DOOR,LEFT	1	180,20 €
01-48	PM4000-50HZ-HLT8-4K-012600	GASKETING	2	169,21 €
01-49	HPM4000-50HZ-LT8-4K-012700	BRACKET	1	99,91 €
01-50	PM4000-50HZ-CHSN.B-M6x35-GB-2	BOLT	8	0,53 €
01-51	PM4000-50HZ-HLT8-4K-012900	CONNECTOR	2	46,49 €
01-52	PM4000-50HZ-FN.N-M10-DIN-2	NUT	4	0,33 €

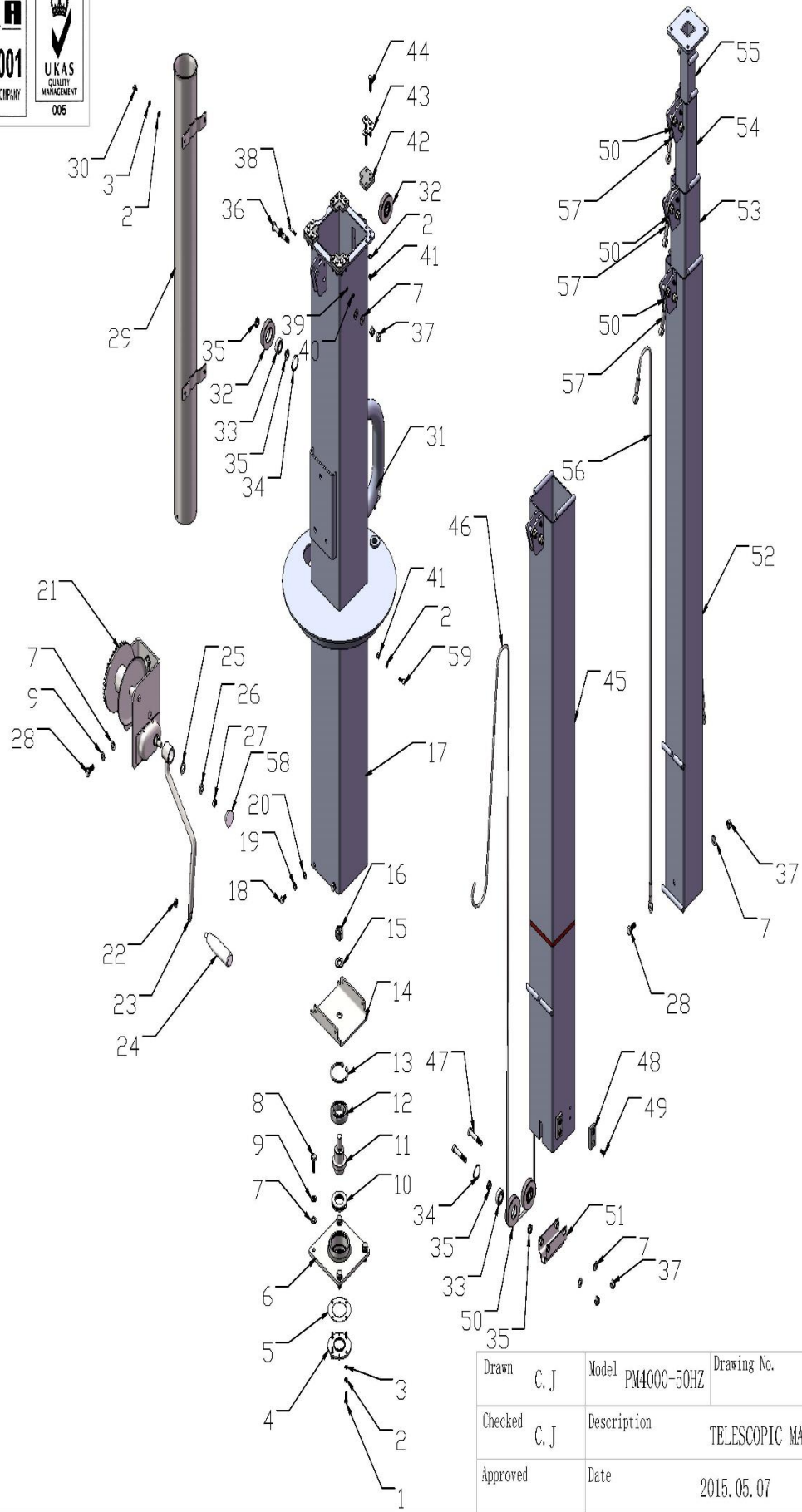


Drawn	C. J	Model	PM4000-50HZ	Drawing No.	PM4000-50HZ-01
Checked	C. J	Description	MAIN FRAME ASSY		
Approved		Date	2015.05.07		

PM4000-50HZ-02 TELESCOPIC MAST ASSY

NO.	PART NO.	PART DESCRIPTION	QTY	UNIT PRICE (EUR) 2021
02-1	PM4000-50HZ-FN.B-M6x20-8.8-DIN-2	BOLT	4	0,33 €
02-2	PM4000-50HZ-FN.W6-DIN-2	WASHER	24	0,33 €
02-3	PM4000-50HZ-HSPG.W6-DIN-2	SPRING WASHER,TANG ENDS	8	0,33 €
02-4	PM4000-50HZ-HLT8-4K-021800	COVER	1	58,06 €
02-5	PM4000-50HZ-100GB-040401	PACKING PLATE	1	7,74 €
02-6	PM4000-50HZ-HLT8-4K-020900	HUB FOR MAST	1	221,45 €
02-7	PM4000-50HZ-FN.W10-DIN-2	WASHER	25	0,26 €
02-8	PM4000-50HZ-FN.B-M10x30-8.8-DIN-2	BOLT	4	0,46 €
02-9	PM4000-50HZ-HSPG.W10-DIN-2	SPRING WASHER,TANG ENDS	7	0,26 €
02-10	PM4000-50HZ-W01-51107-J	PLANE BEARING	1	41,59 €
02-11	PM4000-50HZ-HLT8-4K-021000	SHAFT	1	138,99 €
02-12	PM4000-50HZ-W01-6007ZZ-J	BEARING	1	80,67 €
02-13	PM4000-50HZ-CH.RG62	INTERNAL CIRCLIP	1	4,03 €
02-14	PM4000-50HZ-HLT8-4K-020800	JUNCTION PLATE	1	71,48 €
02-15	PM4000-50HZ-FN.W16-DIN-2	WASHER	1	0,33 €
02-16	PM4000-50HZ-IN.N-M16-DIN-2	LOCK NUT	1	1,79 €
02-17	PM4000-50HZ-HLT8-4K-020100	FIRST MAST	1	462,89 €
02-18	PM4000-50HZ-FN.B-M8x16-8.8-DIN-2	BOLT	4	0,33 €
02-19	PM4000-50HZ-HSPG.W8-DIN-2	SPRING WASHER,TANG ENDS	4	0,33 €
02-20	PM4000-50HZ-FN.W8-DIN-2	WASHER	4	0,33 €
02-21	PM4000-50HZ-HLT8-4K-021900	WINCH	1	268,88 €
02-22	PM4000-50HZ-FNL.N-M10-DIN-2	HEXAGON THIN NUT	1	0,33 €
02-23	PM4000-50HZ-HLT8-4K-022000	HANDLE ROD	1	130,99 €
02-24	PM4000-50HZ-16-000009	HANDLE	1	21,09 €
02-25	PM4000-50HZ-FN.W12-DIN-2	WASHER	1	0,40 €
02-26	PM4000-50HZ-HSPG.W12-DIN-2	SPRING WASHER,TANG ENDS	1	0,33 €
02-27	PM4000-50HZ-FN.N-M12-DIN-2	NUT	1	0,40 €
02-28	PM4000-50HZ-FN.B-M10x25-8.8-DIN-2	BOLT	7	0,40 €
02-29	PM4000-50HZ-HLT8-4K-020700	CONDUIT	1	196,33 €
02-30	PM4000-50HZ-FN.B-M6x10-8.8-DIN-1	BOLT	4	0,40 €
02-31	PM4000-50HZ-HLT8-4K-011900	LOCKPIN	1	215,90 €
02-32	PM4000-50HZ-HLT8-4K-021100	PULLEY A	2	63,74 €
02-33	PM4000-50HZ-W01-6002LLU-J	BEARING	8	40,40 €
02-34	PM4000-50HZ-CH.RG32	INTERNAL CIRCLIP	8	1,26 €
02-35	PM4000-50HZ-HLT8-4K-021300	BUSH	16	14,22 €
02-36	PM4000-50HZ-FN.B-M10x40-8.8-DIN-2	BOLT	12	0,53 €
02-37	PM4000-50HZ-IN.N-M10-DIN-2	LOCK NUT	18	0,40 €
02-38	PM4000-50HZ-FN.B-M5x35-8.8-DIN-2	BOLT	6	0,40 €
02-39	PM4000-50HZ-FN.W5-DIN-2	WASHER	6	0,33 €
02-40	PM4000-50HZ-IN.N-M5-DIN-2	LOCK NUT	6	0,33 €
02-41	PM4000-50HZ-IN.N-M6-DIN-2	LOCK NUT	16	1,12 €
02-42	PM4000-50HZ-HLT8-4K-021400	UPPER ANGULAR FOR MAST	4	50,32 €
02-43	PM4000-50HZ-HLT8-4K-021500	BLOCKING PLATE	4	57,00 €
02-44	PM4000-50HZ-FN.B-M6x30-8.8-DIN-2	BOLT	16	0,33 €
02-45	PM4000-50HZ-HLT8-4K-020200	2ND MAST	1	335,29 €
02-46	PM4000-50HZ-HLT8-4K-022300	STEEL CABLE	1	90,46 €
02-47	PM4000-50HZ-FN.B-M10x55-8.8-DIN-2	BOLT	2	1,65 €
02-48	PM4000-50HZ-HLT8-4K-021600	NYLON DOWEL	4	36,17 €
02-49	PM4000-50HZ-HSF.S-M6x16-8.8-DIN-2	SOCKET COUNTERSUNK HEAD SCREW	8	0,40 €
02-50	PM4000-50HZ-HLT8-4K-021200	PULLEY	6	60,37 €
02-51	PM4000-50HZ-HLT8-4K-021700	LIMIT PLATE FOR STEEL CABLE	1	122,79 €
02-52	PM4000-50HZ-HLT8-4K-020300	3RD MAST	1	266,46 €
02-53	PM4000-50HZ-HLT8-4K-020400	4TH MAST	1	214,25 €
02-54	PM4000-50HZ-HLT8-4K-020500	5TH MAST	1	180,44 €

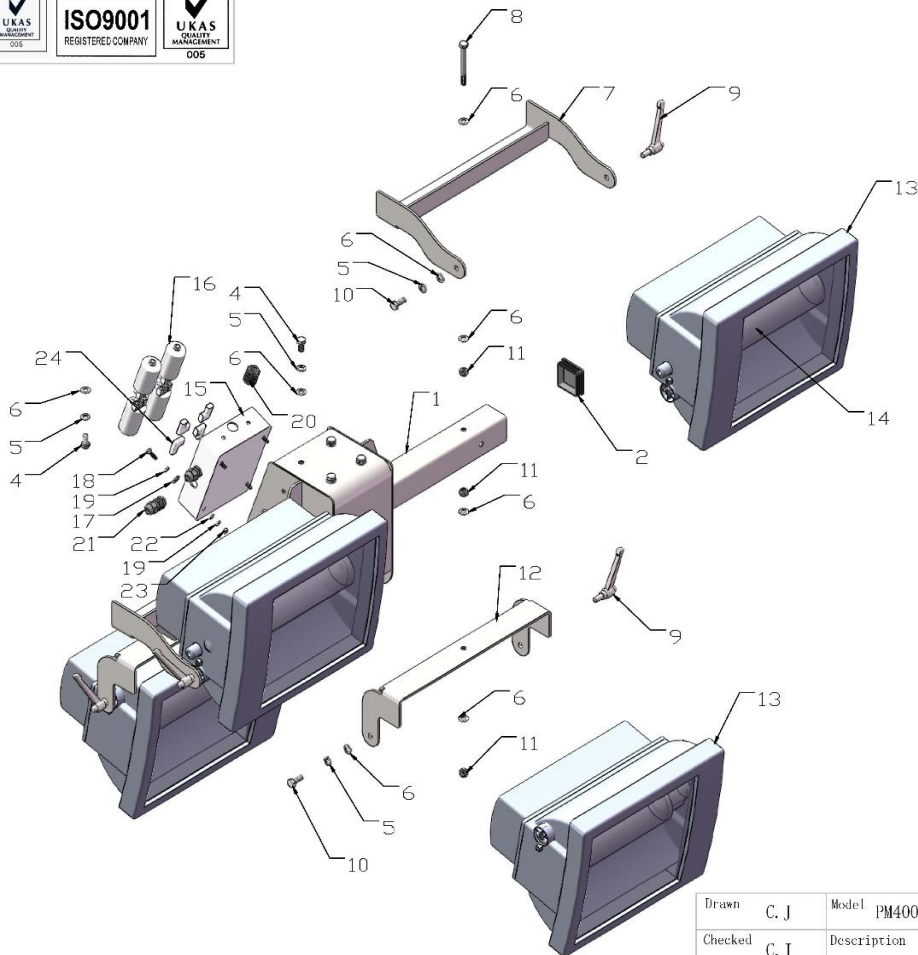
02-55	PM4000-50HZ-HLT8-4K-020600	6TH MAST	1	174,41 €
02-56	PM4000-50HZ-HLT8-4K-022100	STEEL CABLE	1	58,12 €
02-57	PM4000-50HZ-HLT8-4K-022200	STEEL CABLE	3	58,12 €
02-58	PM4000-50HZ-HLT8-4K-023000	PIASTIC CAP	1	3,50 €
02-59	PM4000-50HZ-HS.B-M6x16-8.8-GB-2	SCREW	1	0,33 €



Drawn	C. J	Model	PM4000-50HZ	Drawing No.	PM4000-50HZ-02
Checked	C. J	Description	TELESCOPIC MAST ASSY		
Approved		Date	2015. 05. 07		

PM4000-50HZ-03 FLOODLIGHT GROUP ASSY

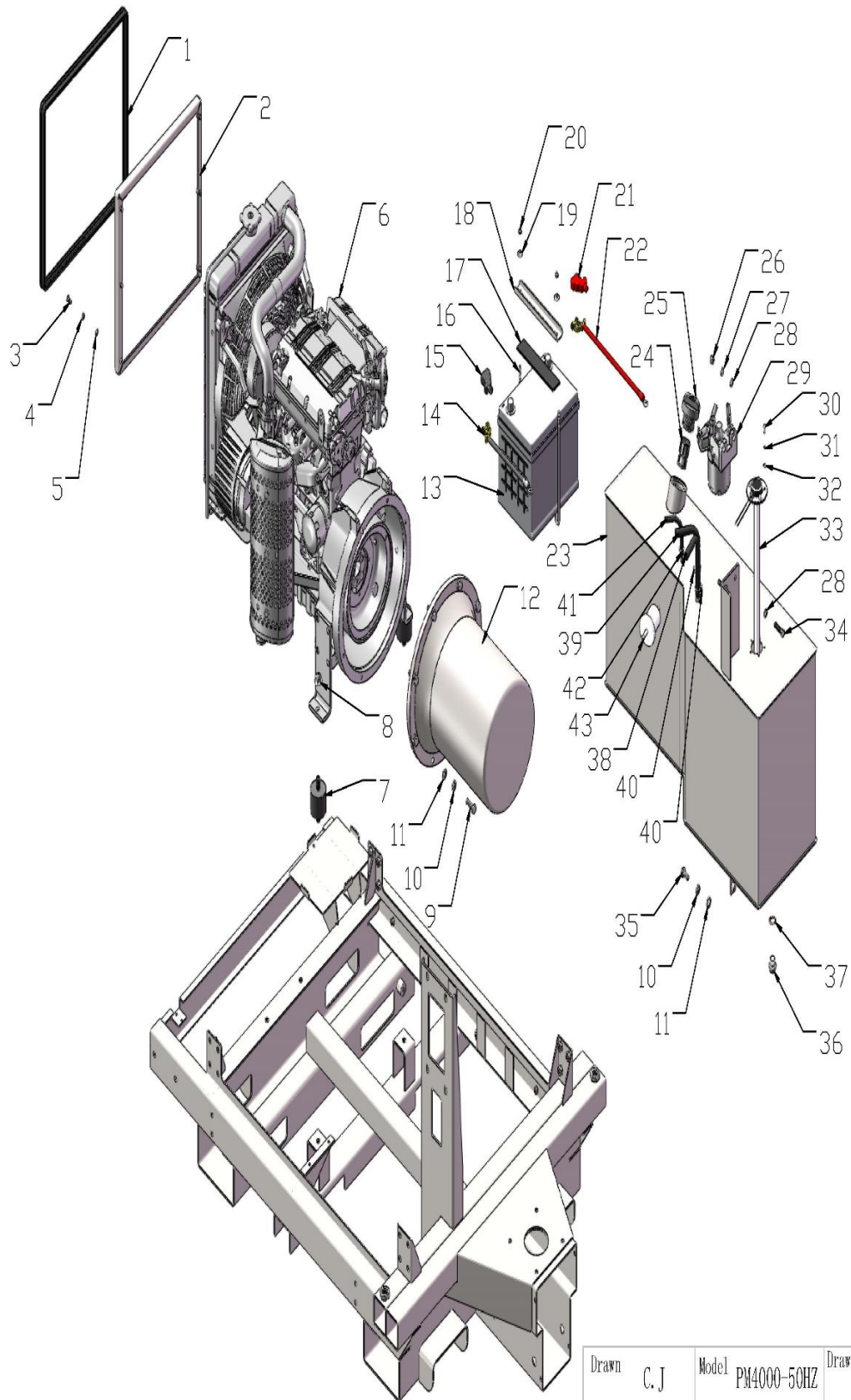
NO.	PART NO.	PART DESCRIPTION	QTY	UNIT PRICE (EUR) 2021
03-1	PM4000-50HZ-HLT8-4K-030100	FLOODLIGHT FRAME	1	264,12 €
03-2	PM4000-50HZ-HLT8-4K-030700	COVER	2	8,40 €
03-3	PM4000-50HZ-HLT8-4K-030200	ELECTRIC BOX COVER	1	145,01 €
03-4	PM4000-50HZ-FN.B-M10x20-8.8-DIN-2	BOLT	5	0,33 €
03-5	PM4000-50HZ-HSPG.W10-DIN-2	SPRING WASHER,TANG ENDS	9	0,26 €
03-6	PM4000-50HZ-FN.W10-DIN-2	WASHER	17	0,26 €
03-7	PM4000-50HZ-HLT8-4K-030400	UPPER SUPPORT FLOODLIGHT	2	246,38 €
03-8	PM4000-50HZ-FN.B-M10x90-8.8HALF-DIN-2	BOLT	2	2,71 €
03-9	PM4000-50HZ-HLT8-4K-030800	CLAMPING HANDLE	4	45,23 €
03-10	PM4000-50HZ-FN.B-M10x25-8.8-DIN-2	BOLT	4	0,40 €
03-11	PM4000-50HZ-IN.N-M10-DIN-2	LOCK NUT	6	0,40 €
03-12	PM4000-50HZ-HLT8-4K-030300	LOWER SUPPORT FLOODLIGHT	2	205,91 €
03-13	PM4000-50HZ-HLT8-4K-030500	LAMPSHADE	4	820,28 €
03-14	PM4000-50HZ-HLT8-4K-030600	LAMP	4	341,01 €
03-15	PM4000-50HZ-HLT8-4K-030900	ELECTRIC BOX	1	137,28 €
03-16	PM4000-50HZ-HLT8-4K-031000	IGNITER	4	177,61 €
03-17	PM4000-50HZ-WOD.W6-GB-2	WASHER	4	2,45 €
03-18	PM4000-50HZ-FN.B-M6x20-8.8-DIN-2	BOLT	4	0,33 €
03-19	PM4000-50HZ-HSPG.W6-DIN-2	SPRING WASHER,TANG ENDS	4	0,33 €
03-20	PM4000-50HZ-HLT8-4K-052200	CABLE GLAND	1	44,83 €
03-21	PM4000-50HZ-HLT8-4K-031100	CABLE GLAND	4	8,40 €
03-22	PM4000-50HZ-FN.W6-DIN-2	WASHER	4	0,33 €
03-23	PM4000-50HZ-FN.N-M6-DIN-2	NUT	4	0,33 €
03-24	PM4000-50HZ-HLT8-4K-031200	PC CONNECTOR	4	4,83 €



Drawn	C. J	Model	PM4000-50HZ	Drawing No.	PM4000-50HZ-03
Checked	C. J	Description	FLOODLIGHT GROUP ASSY		
Approved		Date	2015.05.07		

PM4000-50HZ-04 GENERATOR UNIT ASSY

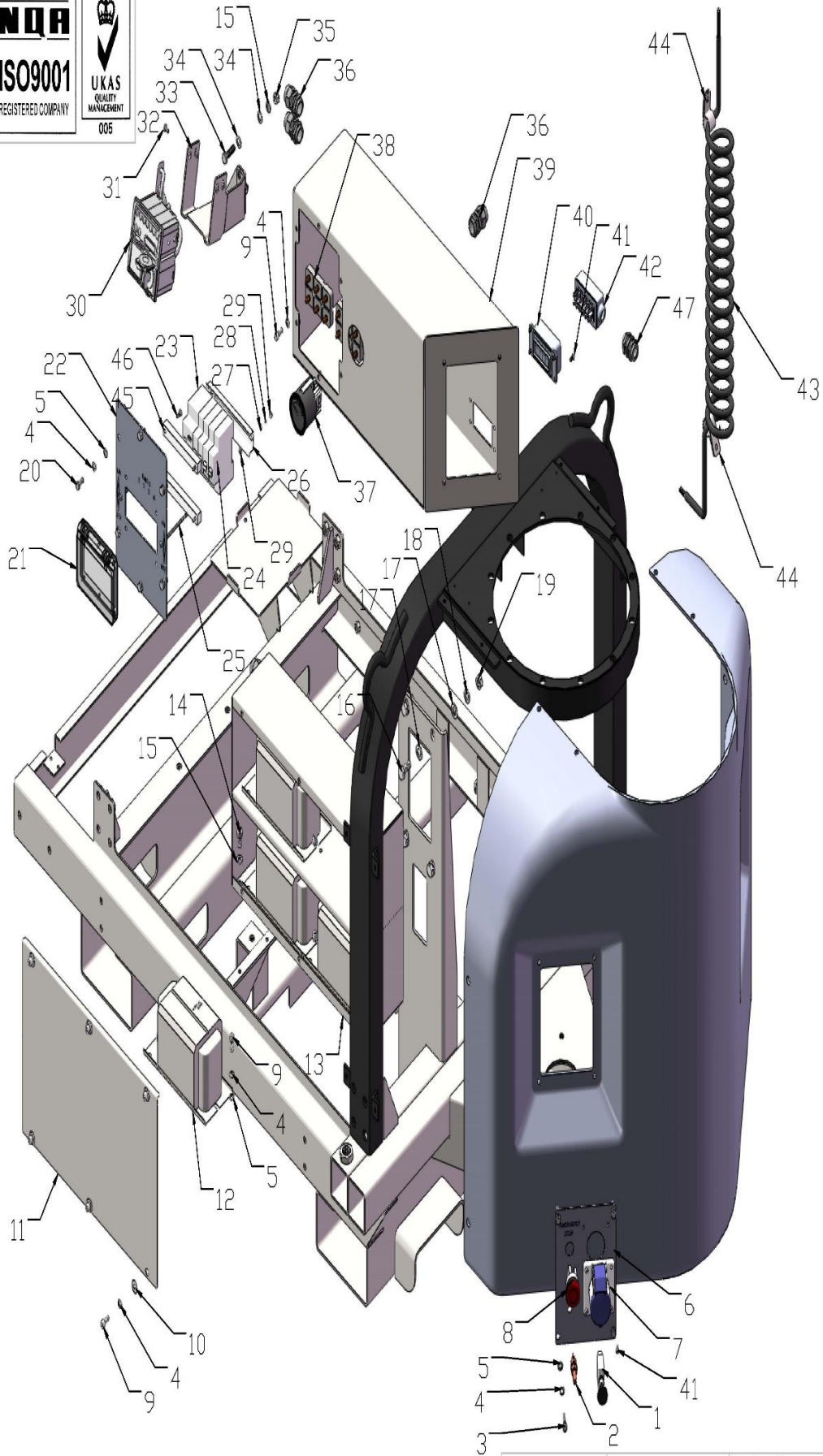
NO.	PART NO.	PART DESCRIPTION	QTY	UNIT PRICE (EUR) 2021
04-1	PM4000-50HZ-HLT8-4K-040300	GASKETING	1	98,53 €
04-2	PM4000-50HZ-HLT8-4K-040100	BRACKET FOR RADIATOR	1	88,48 €
04-3	PM4000-50HZ-FN.B-M6x12-8.8-DIN-2	BOLT	6	0,40 €
04-4	PM4000-50HZ-HSPG.W6-DIN-2	SPRING WASHER,TANG ENDS	6	0,33 €
04-5	PM4000-50HZ-FN.W6-DIN-2	WASHER	6	0,33 €
04-6	PM4000-50HZ-W05-PH-KDW1003 /ED794824-2	DIESEL ENGINE	1	
04-7	PM4000-50HZ-90B-030100	SHOCK ABSORBER	4	8,13 €
04-8	PM4000-50HZ-HF.N-M12-DIN-2	FLANGE NUT	4	1,72 €
04-9	PM4000-50HZ-FN.B-M10x30-8.8-DIN-2	BOLT	8	0,46 €
04-10	PM4000-50HZ-HSPG.W10-DIN-2	SPRING WASHER,TANG ENDS	11	0,26 €
04-11	PM4000-50HZ-FN.W10-DIN-2	WASHER	11	0,26 €
04-12	PM4000-50HZ-W17-LT3N-160/4-50HZ	ALTERNATOR	1	2 287,22 €
04-13	PM4000-50HZ-ROL8.0-BOSCH-75D23LMF	BATTERY	1	406,91 €
04-14	PM4000-50HZ-800-080400	CATHODE WIRE	1	65,79 €
04-15	PM4000-50HZ-800-080200	CATHODE CAP	1	7,60 €
04-16	PM4000-50HZ-800-080800	PULL ROD	2	56,67 €
04-17	PM4000-50HZ-800-081000	UP UNDERLAY	1	3,24 €
04-18	PM4000-50HZ-800-081100	FIXED PLATE	1	56,67 €
04-19	PM4000-50HZ-WOD.W6-GB-2	WASHER	2	2,45 €
04-20	PM4000-50HZ-IN.N-M6-DIN-2	LOCK NUT	2	1,12 €
04-21	PM4000-50HZ-800-080100	ANODE CAP	1	7,60 €
04-22	PM4000-50HZ-800-080300	ANODE WIRE	1	95,35 €
04-23	PM4000-50HZ-HLT8-4K-040200	FUEL TANK	1	867,34 €
04-24	PM4000-50HZ-70ND-010114	STRAINER	1	30,55 €
04-25	PM4000-50HZ-01-3150-1415-01	FUEL TANK CAP WITH LOCK	1	125,51 €
04-26	PM4000-50HZ-FN.N-M8-DIN-2	NUT	2	0,33 €
04-27	PM4000-50HZ-HSPG.W8-DIN-2	SPRING WASHER,TANG ENDS	2	0,33 €
04-28	PM4000-50HZ-FN.W8-DIN-2	WASHER	4	0,33 €
04-29	PM4000-50HZ-HLT8-4K-040900	FUEL FILTER	1	42,98 €
04-30	PM4000-50HZ-FN.B-M5x12-8.8-DIN-2	BOLT	5	0,40 €
04-31	PM4000-50HZ-SPG.W5-DIN-2	SPRING WASHER	5	0,26 €
04-32	PM4000-50HZ-FN.W5-DIN-2	WASHER	5	0,33 €
04-33	PM4000-50HZ-HLT8-4K-040800	FUEL LEVEL SENSOR	1	174,41 €
04-34	PM4000-50HZ-FN.B-M8x35-8.8-DIN-2	BOLT	2	0,26 €
04-35	PM4000-50HZ-FN.B-M10x20-8.8-DIN-2	BOLT	3	0,33 €
04-36	PM4000-50HZ-HHOS.B-M16x1.5	HEXAGON HEAD PLUG	1	7,41 €
04-37	PM4000-50HZ-GB97.1-M16	CUPRUM WASHER	1	1,79 €
04-38	PM4000-50HZ-HLT8-4K-041000	INLET PIPE	1	18,12 €
04-39	PM4000-50HZ-HLT8-4K-041100	BREATH PIPE	1	13,56 €
04-40	PM4000-50HZ-HOOP.D8-20	HOSE CLAMP	2	3,90 €
04-41	PM4000-50HZ-HLT8-4K-041200	OIL RETURN PIPE	1	16,80 €
04-42	PM4000-50HZ-85d-000026	HOSE CLAMP	1	1,98 €
04-43	PM4000-50HZ-01-1150-1512-01	DIESEL FILTER 1	1	46,22 €



Drawn	C. J	Model	PM4000-50HZ	Drawing No.	PM4000-50HZ-04
Checked	C. J	Description	GENERATOR UNIT ASSY		
Approved		Date	2015.05.07		

PM4000-50HZ-05 COMMAND PANEL ASSY

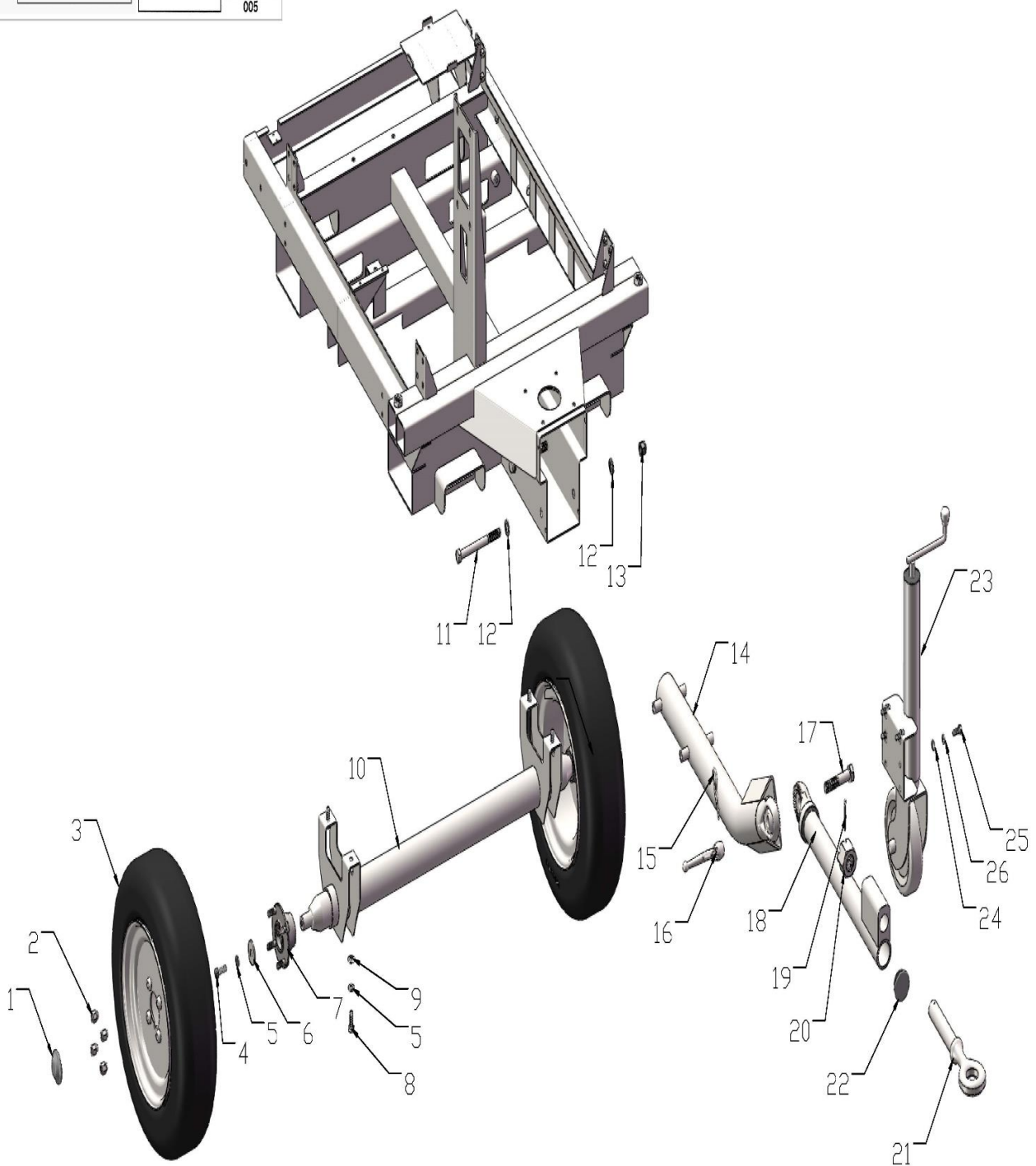
NO.	PART NO.	PART DESCRIPTION	QTY	UNIT PRICE (EUR) 2021
05-1	PM4000-50HZ-HLT8-4K-051100	BUTTON BREAKER	1	47,21 €
05-2	PM4000-50HZ-HLT8-4K-051200	EARTH CLAMP CONNECTION	1	36,17 €
05-3	PM4000-50HZ-FN.B-M6x25-8.8-DIN-2	BOLT	4	0,46 €
05-4	PM4000-50HZ-HSPG.W6-DIN-2	SPRING WASHER,TANG ENDS	30	0,33 €
05-5	PM4000-50HZ-FN.W6-DIN-2	WASHER	22	0,33 €
05-6	PM4000-50HZ-HLT8-4K-050400	CONTROL PANEL B	1	67,84 €
05-7	PM4000-50HZ-HLT8-4K-051000	SINGLE PHASE SOCKET	1	142,04 €
05-8	PM4000-50HZ-20A-020210	SAFETY SWITCH	1	86,82 €
05-9	PM4000-50HZ-HS.B-M6x16-8.8-GB-2	SCREW	14	0,33 €
05-10	PM4000-50HZ-WOD.W6-GB-2	WASHER	6	2,45 €
05-11	PM4000-50HZ-HLT8-4K-050300	COVER FOR BALLAST	1	80,94 €
05-12	PM4000-50HZ-HLT8-4K-051900A	BALLAST	4	450,51 €
05-13	PM4000-50HZ-HLT8-4K-050200	BOX FOR BALLAST	1	212,94 €
05-14	PM4000-50HZ-HS.B-M8x16-8.8-GB-2	SCREW	4	0,40 €
05-15	PM4000-50HZ-HSPG.W8-DIN-2	SPRING WASHER,TANG ENDS	6	0,33 €
05-16	PM4000-50HZ-FN.B-M10x25-8.8-DIN-2	BOLT	4	0,40 €
05-17	PM4000-50HZ-FN.W10-DIN-2	WASHER	8	0,26 €
05-18	PM4000-50HZ-HSPG.W10-DIN-2	SPRING WASHER,TANG ENDS	4	0,26 €
05-19	PM4000-50HZ-FN.N-M10-DIN-2	NUT	4	0,33 €
05-20	PM4000-50HZ-FN.B-M6x16-8.8-DIN-2	BOLT	6	0,26 €
05-21	PM4000-50HZ-HLT8-4K-050900	CIRCUIT BREAKER PROTECTION	1	108,18 €
05-22	PM4000-50HZ-HLT8-4K-050500	CONTROL PANEL A	1	96,87 €
05-23	PM4000-50HZ-HLT8-4K-050600	EARTH LEAKAGE RELAY	1	215,67 €
05-24	PM4000-50HZ-HLT8-4K-050700	CIRCUIT BREAKER	4	112,41 €
05-25	PM4000-50HZ-PAN.S-M4x90-GB-2	PAN HEAD SCREW	2	0,40 €
05-26	PM4000-50HZ-HLT8-4K-050800	CIRCUIT BREAKER BRACKET	1	12,30 €
05-27	PM4000-50HZ-FN.W4-DIN-2	WASHER	2	0,33 €
05-28	PM4000-50HZ-SPG.W4-DIN-2	SPRING WASHER	2	0,33 €
05-29	PM4000-50HZ-FN.N-M4-DIN-2	NUT	4	0,33 €
05-30	PM4000-50HZ-HLT8-4K-052100	ENGINE STARTING PANEL	1	348,33 €
05-31	PM4000-50HZ-PAN.S-M5x10-GB-3	PAN HEAD SCREW	4	0,33 €
05-32	PM4000-50HZ-HLT8-4K-052000	STARTING PLAN SUPPORT	1	8,13 €
05-33	PM4000-50HZ-FN.B-M8x30-8.8-DIN-2	BOLT	2	0,53 €
05-34	PM4000-50HZ-FN.W8-DIN-2	WASHER	4	0,33 €
05-35	PM4000-50HZ-FN.N-M8-DIN-2	NUT	2	0,33 €
05-36	PM4000-50HZ-H3003776-B	CABLE GLAND	4	6,81 €
05-37	PM4000-50HZ-HLT8-4K-051400	FUEL GAUGE	1	177,61 €
05-38	PM4000-50HZ-HLT8-4K-051300	6 POLES TERMINAL BOARD	3	36,83 €
05-39	PM4000-50HZ-HLT8-4K-050100	JUNCTION BOX	1	306,41 €
05-40	PM4000-50HZ-HLT8-4K-051500	10 POLES SOCKET	1	148,58 €
05-41	PM4000-50HZ-PAN.S-M4x10-GB-2	PAN HEAD SCREW	8	0,40 €
05-42	PM4000-50HZ-HLT8-4K-051600	10 POLES PLUG	1	143,69 €
05-43	PM4000-50HZ-HLT8-4K-051700	SPRING CABLE	1	655,91 €
05-44	PM4000-50HZ-HLT8-4K-051800	R-CLAMP	2	9,06 €
05-45	PM4000-50HZ-HLT8-4K-052300	SPACER	2	31,21 €
05-46	PM4000-50HZ-HLT8-4K-ST4x13	TAPPING SCREW	4	0,40 €
05-47	PM4000-50HZ-HLT8-4K-052200	CABLE GLAND	1	44,83 €



Drawn	C. J	Model	PM4000-50HZ	Drawing No.	PM4000-50HZ-05
Checked		Description	COMMAND PANEL ASSY		
Approved		Date	2015.05.07		

PM4000-50HZ-06 SLOW TOWING ASSY

NO.	PART NO.	PART DESCRIPTION	QTY	UNIT PRICE (EUR) 2021
06-1	PM4000-50HZ-HLT8-4K-060600	DUST CAP	2	18,71 €
06-2	PM4000-50HZ-HLT8-4K-060500	HUB NUT	8	8,07 €
06-3	PM4000-50HZ-HLT8-4K-060400	WHEEL	2	385,13 €
06-4	PM4000-50HZ-FN.B-M12x35-8.8-DIN-2	BOLT	2	0,79 €
06-5	PM4000-50HZ-HSPG.W12-DIN-2	SPRING WASHER,TANG ENDS	6	0,33 €
06-6	PM4000-50HZ-HLT8-4K-060300	WASHER	2	8,93 €
06-7	PM4000-50HZ-HLT8-4K-060200	HUB UNIT	2	219,60 €
06-8	PM4000-50HZ-FN.B-M12x30-8.8-DIN-2	BOLT	4	0,79 €
06-9	PM4000-50HZ-FN.W12-DIN-2	WASHER	4	0,40 €
06-10	PM4000-50HZ-HLT8-4K-060100	AXLE	1	348,43 €
06-11	PM4000-50HZ-FN.B-M16x170-8.8HALF-DIN-2	BOLT	2	11,97 €
06-12	PM4000-50HZ-FN.W16-DIN-2	WASHER	4	0,33 €
06-13	PM4000-50HZ-IN.N-M16-DIN-2	LOCK NUT	2	1,79 €
06-14	PM4000-50HZ-HLT8-4K-060700	DRAG ROD	1	280,86 €
06-15	PM4000-50HZ-SCP.PIN-5x50-DIN-2	SPRING COTTER	1	2,58 €
06-16	PM4000-50HZ-HLT8-4K-061000	SLOTTED NUT WITH HANDLE	1	4,96 €
06-17	PM4000-50HZ-HLT8-4K-060900	BOLT	1	4,96 €
06-18	PM4000-50HZ-HLT8-4K-060800	ADJUSTMENT ROD	1	254,32 €
06-19	PM4000-50HZ-SP.PIN-5x50-GB-2	SPLIT PIN	1	2,58 €
06-20	PM4000-50HZ-HS.N-M36-GB-1	SLOTTING NUT	1	29,10 €
06-21	PM4000-50HZ-HLT8-4K-061300	TOWING EYE	1	212,99 €
06-22	PM4000-50HZ-HLT8-4K-061200	PLASTIC CAP	1	8,40 €
06-23	PM4000-50HZ-HLT8-4K-061100	ADJUSTABLE SUPPORT FOOT	1	348,78 €
06-24	PM4000-50HZ-HLT8-4K-FN.W10-DIN-1	WASHER	4	0,26 €
06-25	PM4000-50HZ-FN.B-M10x25-8.8-DIN-2	BOLT	4	0,40 €
06-26	PM4000-50HZ-HSPG.W10-DIN-2	SPRING WASHER,TANG ENDS	4	0,26 €



Drawn	C. J	Model	PM4000-50HZ	Drawing No.	PM4000-50HZ-06
Checked		Description	SLOW TOWING ASSY		
Approved		Date	2015. 05. 07		