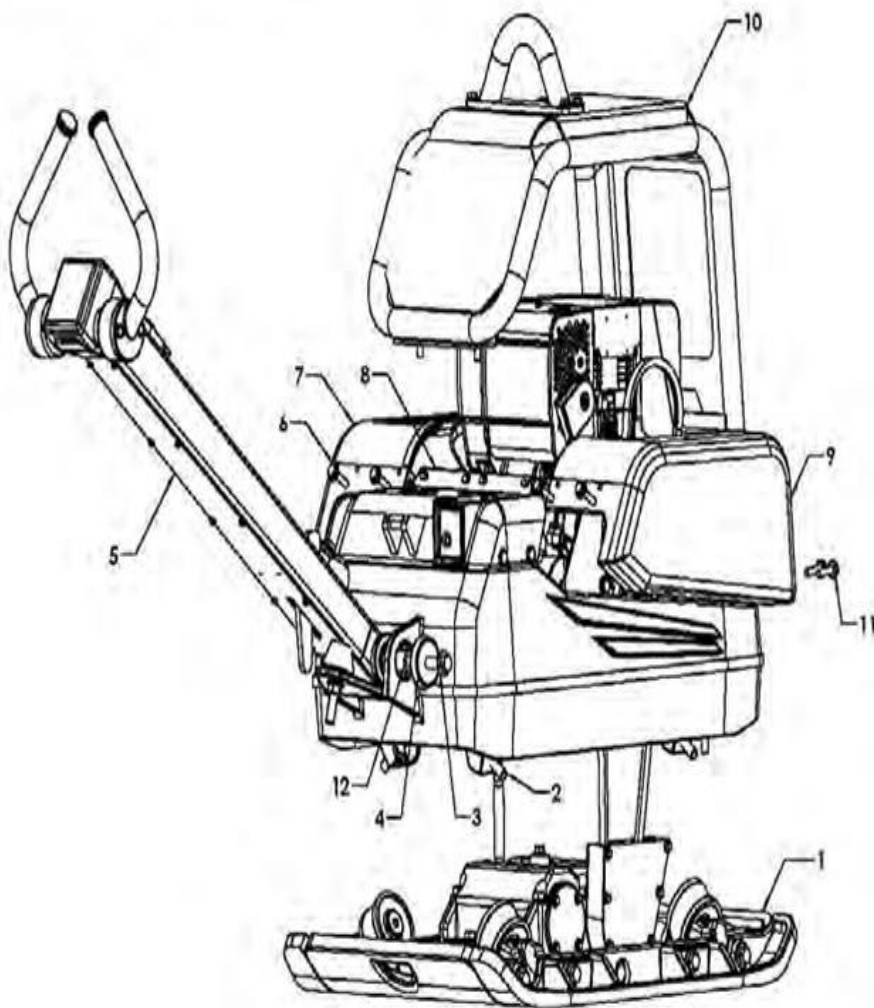


# IMPACT430-400-0.0-A ASSEMBLY

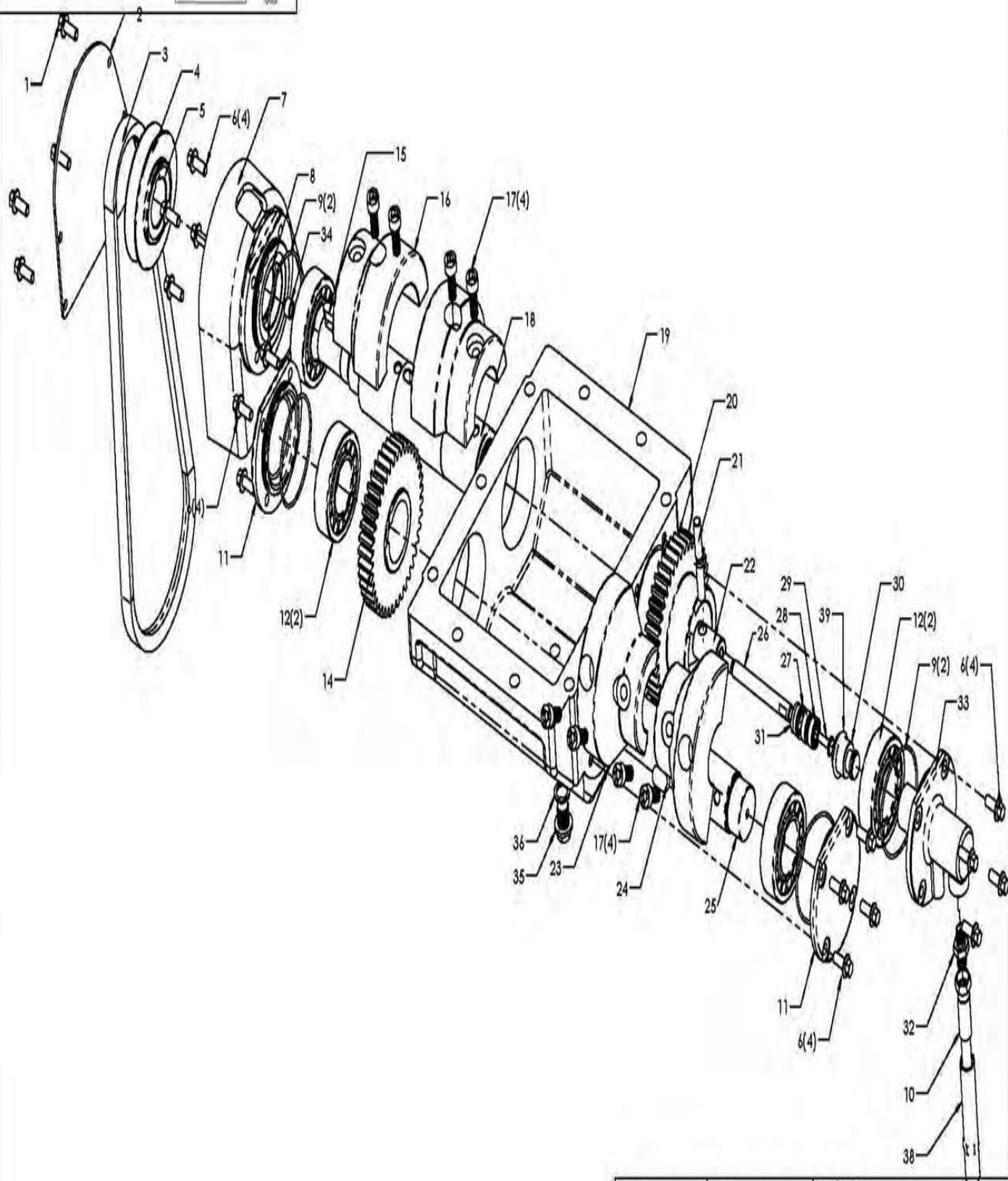
NO.	PART NO.	PART DESCRIPTION	QTY	UNIT PRICE (EURO) 2021
00-1	IMPACT430-400-0.2-A	BasePlate Assembly	1	3 883,83 €
00-2	IMPACT430-400-HF.B-M12X20-10.9-DIN-2	Bolt	4	0,96 €
00-3	IMPACT430-400-HF.B-M16X70-10.9-DIN-2	Bolt	2	3,85 €
00-4	IMPACT430-400-19-A	HandleBar Shock Mount	4	46,15 €
00-5	IMPACT430-400-0.7-A	HandleBar Assembly	1	915,70 €
00-6	IMPACT430-400-HF.B-M10X40-8.8-DIN-2	Bolt	4	0,96 €
00-7	IMPACT430-400-07-C	Cover Left	1	157,69 €
00-8	IMPACT430-400-150-B	Rubber Patch	1	15,39 €
00-9	IMPACT430-400-06-C	Cover V-Belt	1	192,31 €
00-10	IMPACT430-400-0.5-A	Safety Cover Assembly	1	306,78 €
00-11	IMPACT430-400-HF.B-M10X30-8.8-DIN-2	Bolt	4	0,64 €
00-12	IMPACT430-400-24-C	Distance pipe	2	7,69 €



Drawn	TTL	Model	IMPACT430	Drawing No.	IMPACT430-400-0.0-A
Checked		Description	COVER REAR ASSEMBLY		
Approved		Date	2012.10.17		

# IMPACT430-400-0.1-C GEARBOX ASSEMBLY

NO.	PART NO.	PART DESCRIPTION	QTY	UNIT PRICE (EURO) 2021
01-1	IMPACT430-400-HF.B-M6X12-8.8-DIN-2	Bolt	6	0,58 €
01-2	IMPACT430-400-47-B	V-belt Seal Sheet	1	57,69 €
01-3	IMPACT430-400-62-B	V-belt	1	37,41 €
01-4	IMPACT430-400-53-B	Gear Box Pulley	1	44,63 €
01-5	IMPACT430-400-54-A	Taper Bore Bush	1	13,60 €
01-6	IMPACT430-400-HF.B-M8X20-8.8-DIN-2	Bolt	16	0,68 €
01-7	IMPACT430-400-13-E	V-belt Cover Base Plate	1	135,58 €
01-8	IMPACT430-400-99-A	Gear Box Oil seal	1	5,78 €
01-9	IMPACT430-400-61-A	Oil ring	4	1,93 €
01-10	IMPACT430-400-63-A	Hydraulic Hose	1	45,18 €
01-11	IMPACT430-400-21-A	Bearing Cover	2	18,19 €
01-12	IMPACT430-400-55-A	Roller bearing	4	126,93 €
01-13	IMPACT430-400-86-A	Circlip-Secondary Axle	2	0,84 €
01-14	IMPACT430-400-51-B	Secondary gear	1	346,15 €
01-15	IMPACT430-400-08-A	Primary Axle key	1	7,69 €
01-16	IMPACT430-400-28-B	Eccentric weight-primary	2	72,11 €
01-17	IMPACT430-400-HF.B-M10x25-12.9-DIN-3	Socket Head Screw	8	0,85 €
01-18	IMPACT430-400-42-E	Primary Axle	1	437,50 €
01-19	IMPACT430-400-01-E	GearBox	1	459,38 €
01-20	IMPACT430-400-50-B	Switch gear	1	394,23 €
01-21	IMPACT430-400-38-B	Led pin	1	8,04 €
01-22	IMPACT430-400-20-C	Guide led Pin	1	10,85 €
01-23	IMPACT430-400-52-C	Eccentric weight-Secondary	2	46,15 €
01-24	IMPACT430-400-69-B	Secondary Axle Key	1	9,61 €
01-25	IMPACT430-400-10-C	Secondary axle	1	187,88 €
01-26	IMPACT430-400-41-C	Plunger rod	1	94,31 €
01-27	IMPACT430-400-75-A	Circlip-Switch Plunger	1	3,85 €
01-28	IMPACT430-400-56-A	Ball bearing	2	16,49 €
01-29	IMPACT430-400-HF.B-M6X16-8.8-DIN-2	Bolt	1	0,58 €
01-30	IMPACT430-400-15-C	Switch Plunger	1	8,08 €
01-31	IMPACT430-400-W03-18*26*5	Oil Seal-Plunger	1	7,69 €
01-32	IMPACT430-400-67-A	GB Connector	1	8,08 €
01-33	IMPACT430-400-11-C	Switch Cylinder	1	114,53 €
01-34	IMPACT430-400-HS.B-M8x16-8.8-DIN-2	Socket Screw	1	0,46 €
01-35	IMPACT430-400-FN.B-M16X20-8.8-DIN-2	Bolt	1	1,21 €
01-36	IMPACT430-400-ZH-D-M16	Washer	1	0,68 €
01-37	IMPACT430-400-ZH-D-M12	Washer	1	0,54 €
01-38	IMPACT430-400-ROL650-024000	Spiral Guard	1	350,00 €
01-39	IMPACT430-400-W04-26*3.1	O-ring	1	0,31 €

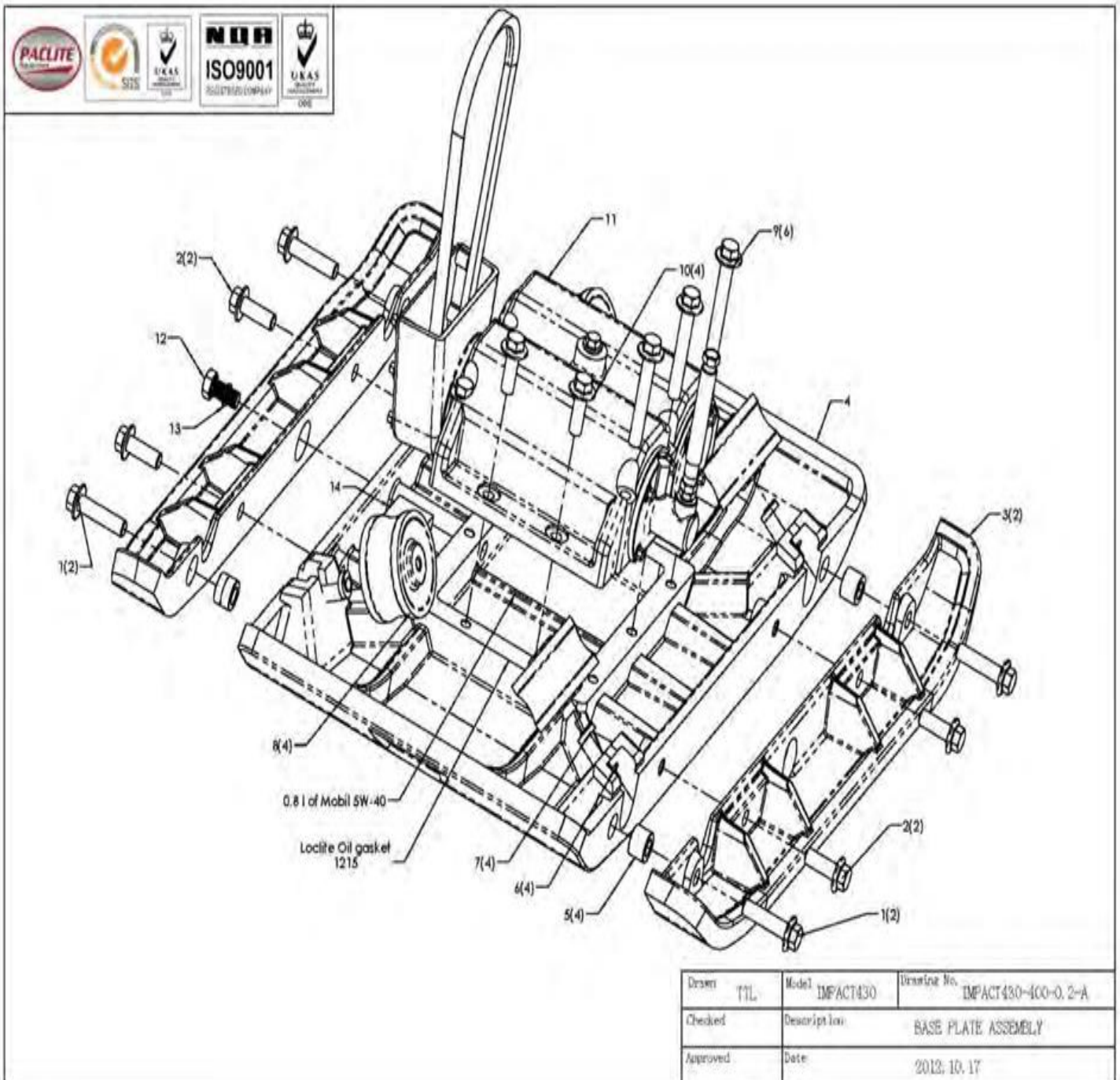


Drawn	TTL	Model	IMPACT430	Drawing No.	IMPACT430-400-0. 1-C
Checked		Description	GEARBOX ASSEMBLY		
Approved		Date	2012. 10. 17		



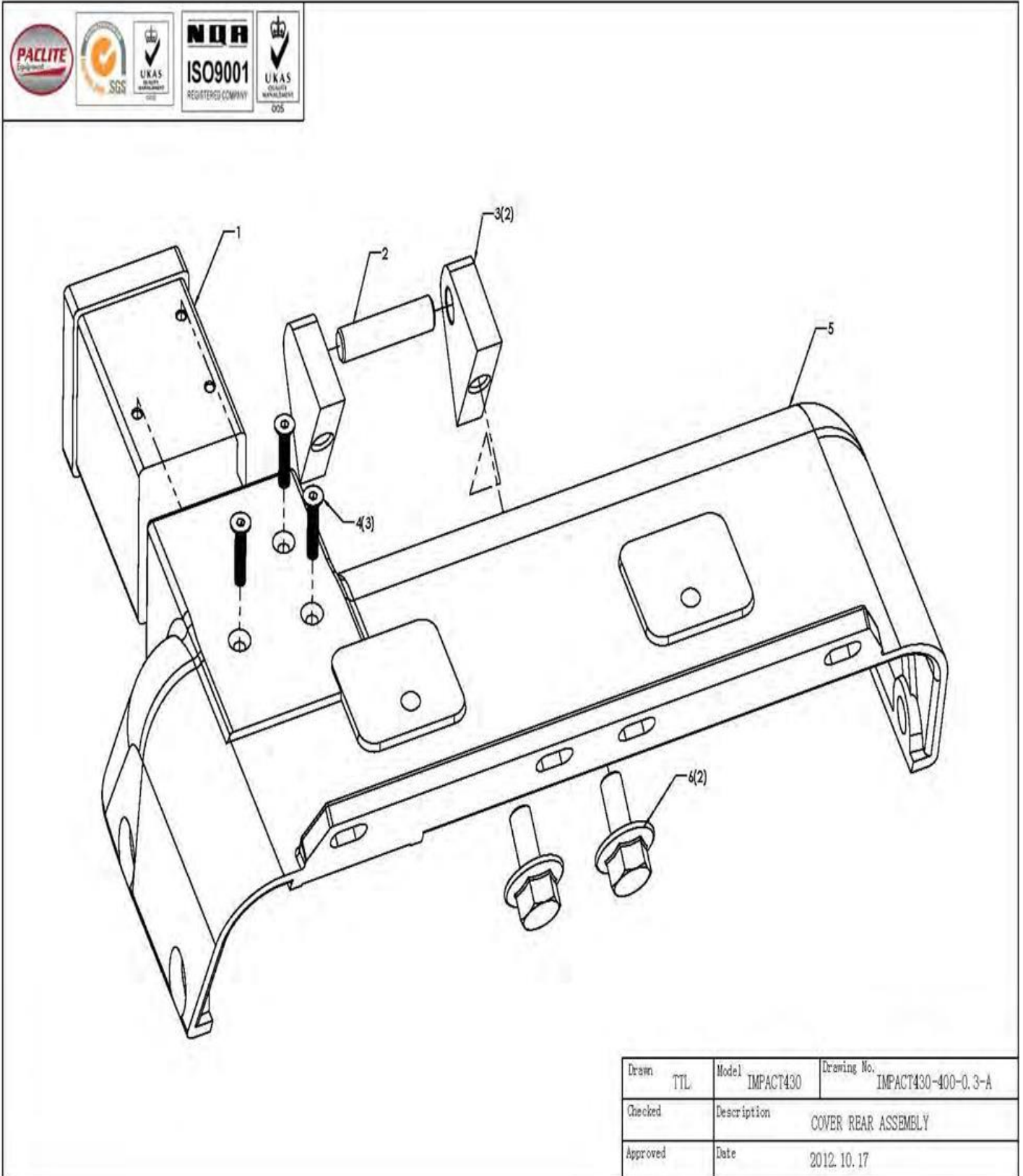
# IMPACT430-400-0.2-A BASE PLATE ASSEMBLY

NO.	PART NO.	PART DESCRIPTION	QTY	UNIT PRICE (EURO) 2021
02-1	IMPACT430-400-HF.B-M16X60-8.8-DIN-2	Bolt	4	3,36 €
02-2	IMPACT430-400-HF.B-M16X50-8.8-DIN-2	Bolt	4	3,03 €
02-3	IMPACT430-400-02.2-B	BottomPlate Extension	2	146,70 €
02-4	IMPACT430-400-02-E	BottomPlate	1	858,31 €
02-5	IMPACT430-400-29-B	Base plate precision mount	4	7,56 €
02-6	IMPACT430-400-HF.B-M12X30-12.9-DIN-3	Bolt	4	2,95 €
02-7	IMPACT430-400-16-A	Base Plate Support	4	9,51 €
02-8	IMPACT430-400-48-D (c)	Shock mount 100x62	4	92,31 €
02-9	IMPACT430-400-HF.B-M12X100-12.9-DIN-3	Bolt	6	3,44 €
02-10	IMPACT430-400-HF.B-M12X40-12.9-DIN-3	Bolt	4	1,55 €
02-11	IMPACT430-400-0.1-A	GearBox Assembly	1	2 569,59 €
02-12	IMPACT430-400-HH0S.B-M16X1.5-DIN-3	Bolt	1	2,29 €
02-13	IMPACT430-400-ZH-D-M16	Washer	1	0,70 €
02-14	IMPACT430-400-70B-020133	Foam	1	1,16 €



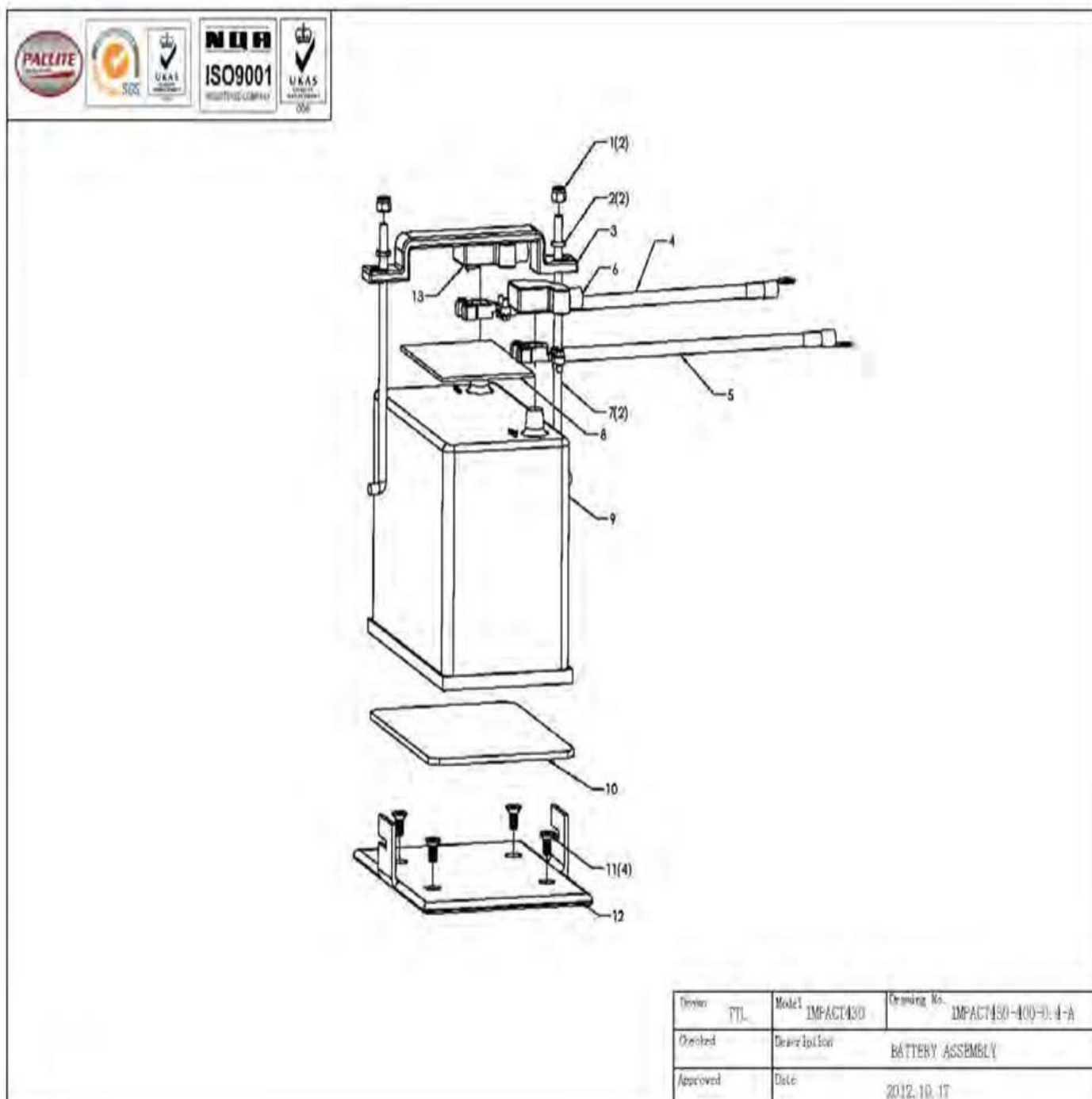
# IMPACT430-400-0.3-A COVER REAR ASSEMBLY

NO.	PART NO.	PART DESCRIPTION	QTY	UNIT PRICE (EURO) 2021
03-1	IMPACT430-400-26-A	Key Switch	1	30,78 €
03-2	IMPACT430-400-46-B	Support Pin	1	3,10 €
03-3	IMPACT430-400-12-B	Support	2	16,53 €
03-4	IMPACT430-400-HSF.S-M6x30-8.8-DIN-2	Set Screw	3	0,46 €
03-5	IMPACT430-400-04-C	Cover Rear	1	175,96 €
03-6	IMPACT430-400-HF.B-M12X20-8.8-DIN-2	Bolt	4	1,21 €



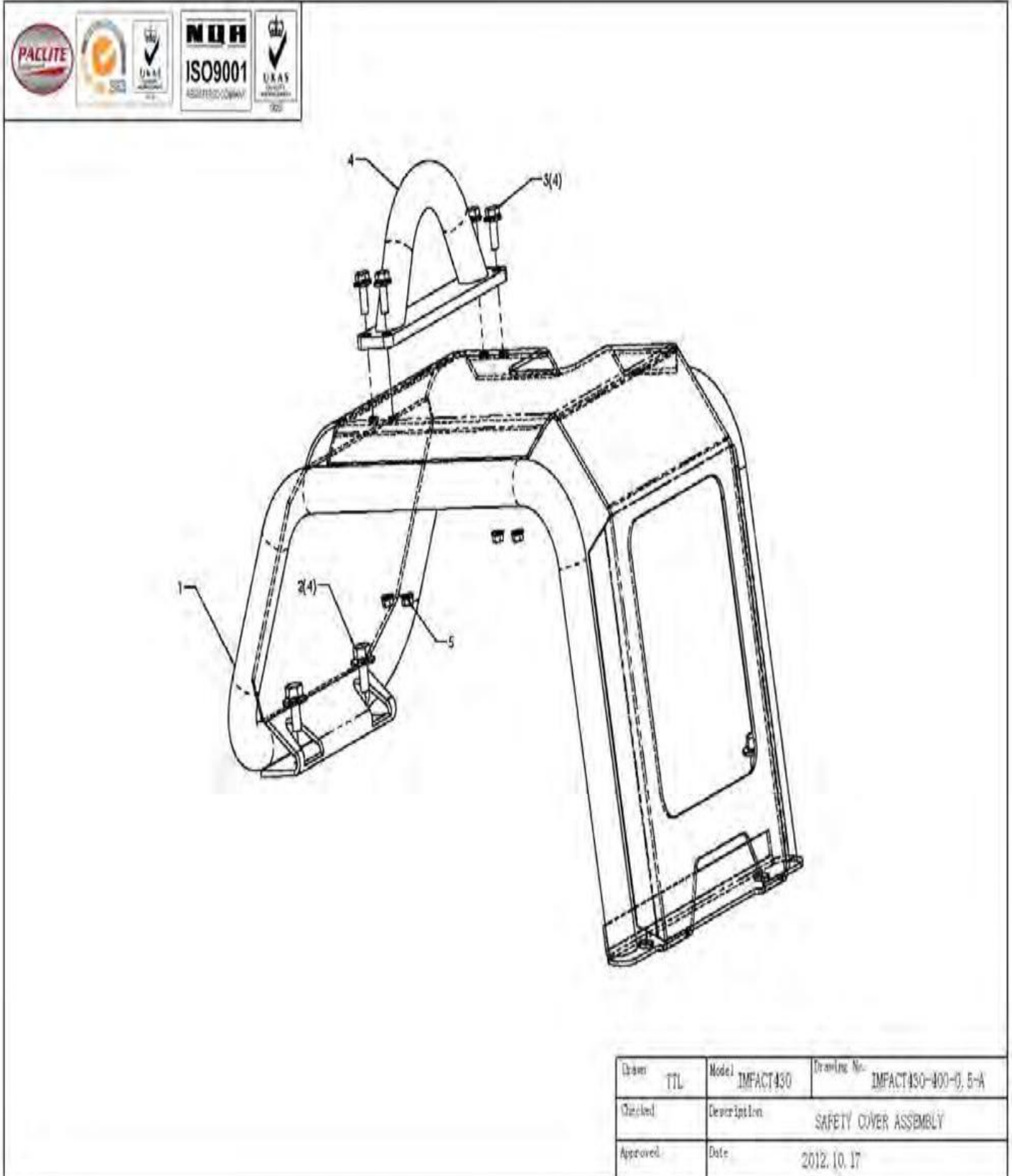
# IMPACT430-400-0.4-A BATTERY ASSEMBLY

NO.	PART NO.	PART DESCRIPTION	QTY	UNIT PRICE (EURO) 2021
04-1	IMPACT430-400-IN.N-M8-DIN-2	Lock Nut	2	0,46 €
04-2	IMPACT430-400-WOD.W8-DIN-2	Washer	2	0,46 €
04-3	IMPACT430-400-98-B	Battery Support 2	1	28,61 €
04-4	IMPACT430-400-206-A	Cathode Wire	1	30,78 €
04-5	IMPACT430-400-207-A	Anode wire	1	46,15 €
04-6	IMPACT430-400-530342	Anode Cap	1	4,15 €
04-7	IMPACT430-400-45-B	Battery Support Rod	2	21,15 €
04-8	IMPACT430-400-530337	Rubber packaging	1	7,69 €
04-9	IMPACT430-400-58-A	Battery	1	188,46 €
04-10	IMPACT430-400-93-B	Battery Bottom Cover	1	21,81 €
04-11	IMPACT430-400-HSF.S-M8x25-8.8-DIN-1	Set Screw	4	0,50 €
04-12	IMPACT430-400-40-B	Battery Bottom Plate	1	41,05 €
04-13	IMPACT430-400-530343	Cathode Cap	1	3,85 €



# IMPACT430-400-0.5-A SAFETY COVER ASSEMBLY

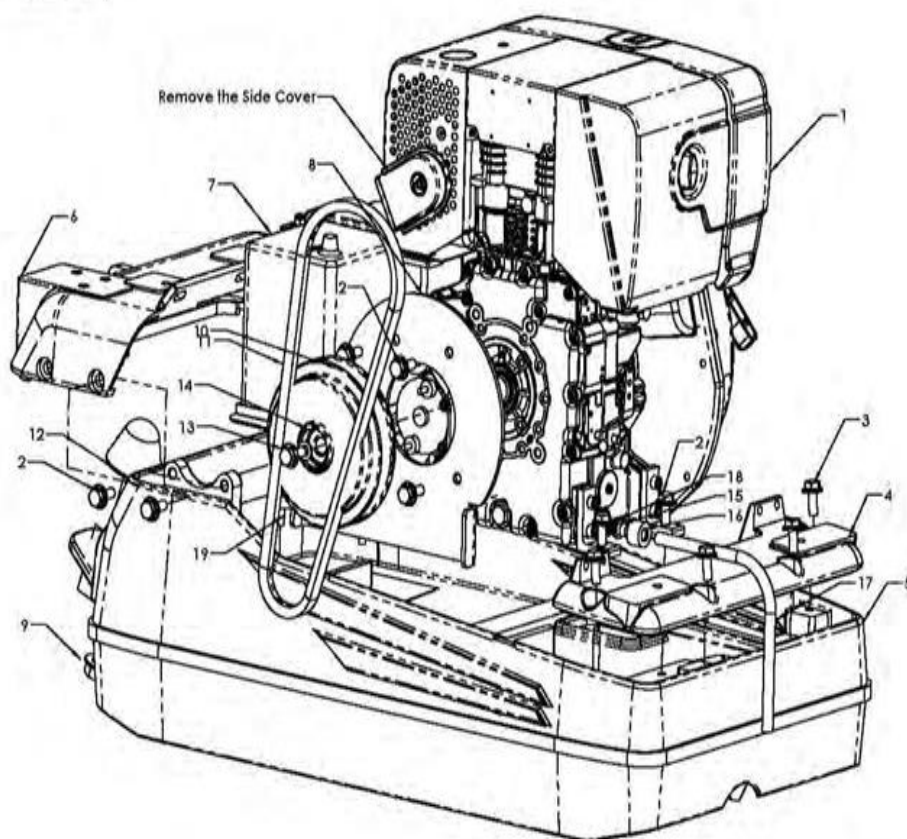
NO.	PART NO.	PART DESCRIPTION	QTY	UNIT PRICE (EURO) 2021
05-1	IMPACT430-400-115-A	Safety Cover Weldment	1	251,99 €
05-2	IMPACT430-400-HF.B-M12X25-8.8-DIN-2	Bolt	4	1,35 €
05-3	IMPACT430-400-HF.B-M12X30-10.9-DIN-2	Bolt	4	1,43 €
05-4	IMPACT430-400-39-A	Lift eye	1	72,11 €
05-5	IMPACT430-400-HF.B-M12-DIN-2	Hexagonal Nut	4	0,58 €





# IMPACT430-400-0.6-A ENGINE BASE ASSEMBLY

NO.	PART NO.	PART DESCRIPTION	QTY	UNIT PRICE (EURO) 2021
06-1	IMPACT430-400-57-A	Hatz Engine	1	
06-2	IMPACT430-400-HF.B-M10X25-8.8-DIN-2	Bolt	8	0,88 €
06-3	IMPACT430-400-HF.B-M10X40-8.8-DIN-2	Bolt	4	1,11 €
06-4	IMPACT430-400-05-C	Cover Front	1	140,19 €
06-5	IMPACT430-400-03-C	Engine Base	1	425,48 €
06-6	IMPACT430-400-0.3-A	CoverRear Assembly	1	153,86 €
06-7	IMPACT430-400-0.4-A	Battery Assembly	1	310,41 €
06-8	IMPACT430-400-23-B	Cover V-Belt Plate	1	39,29 €
06-9	IMPACT430-400-HF.B-M16-DIN-2	Nut	1	0,89 €
06-10	IMPACT430-400-W18-E125-1805	Centrifugal clutch	1	461,54 €
06-11	IMPACT430-400-62-B	V-belt	1	37,41 €
06-12	IMPACT430-400-09-A (c)	HandleBar Touch	1	32,19 €
06-13	IMPACT430-400-HF.B-M10x55-8.8-DIN-2	Bolt	1	1,30 €
06-14	IMPACT430-400-80-0303	Washer	1	2,18 €
06-15	IMPACT430-400-HCC20A-1B40-100-A	Drain Knob	1	11,94 €
06-16	IMPACT430-400-HCC20A-1B40-101-A	Drain Connector	1	13,39 €
06-17	IMPACT430-400-HCC20A-020218	Hose	1	3,28 €
06-18	IMPACT430-400-W02-9X1.5	Oring	2	0,50 €
06-19	IMPACT430-400-90P-010600	Washer	8	0,63 €



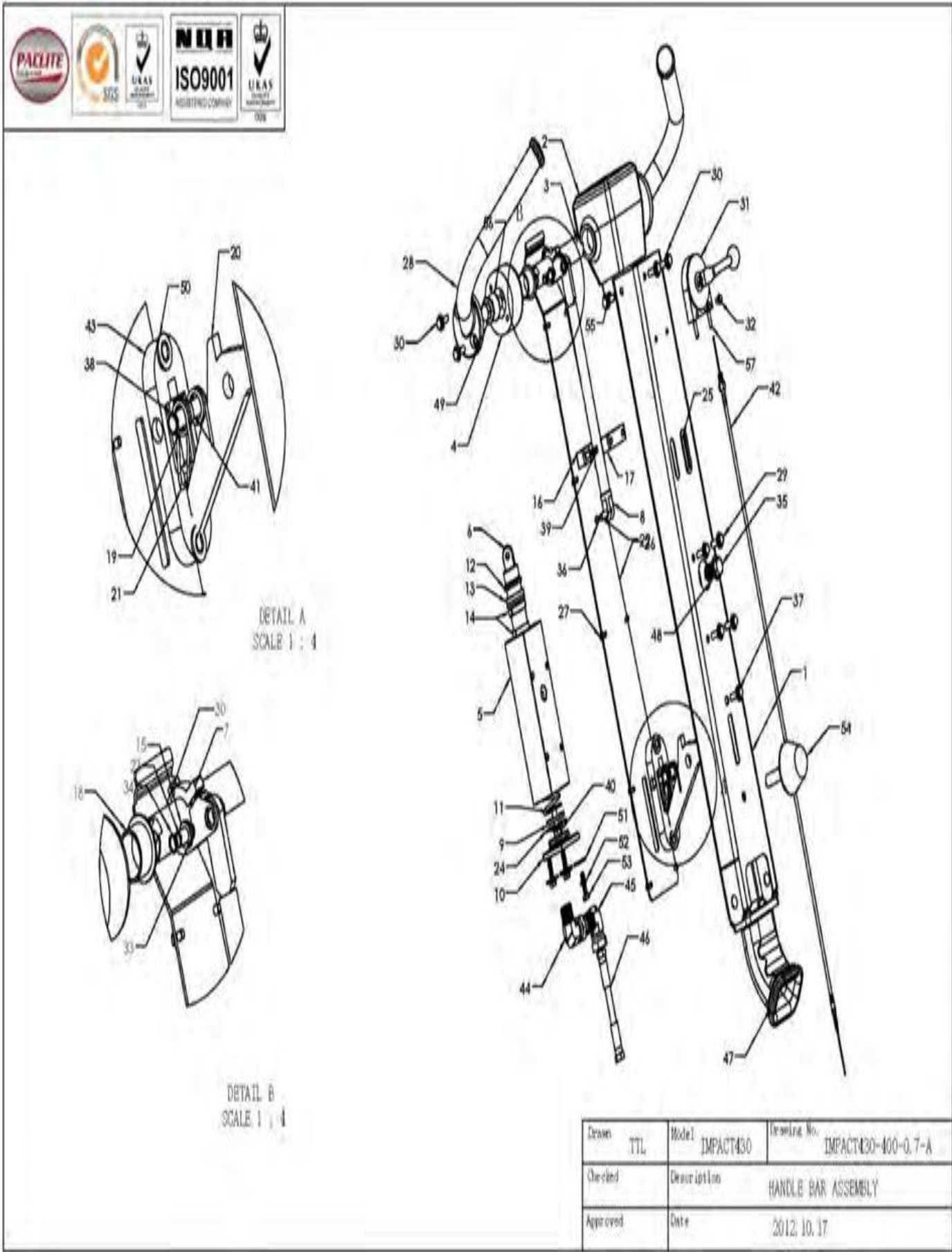
Drawn	TTL	Model	IMPACT430	Drawing No.	IMPACT430-400-0.6-A
Checked		Description	ENGINE BASE ASSEMBLY		
Approved		Date	2012. 10. 17		



# IMPACT430-400-0.7-A HANDLEBAR ASSEMBLY

NO.	PART NO.	PART DESCRIPTION	QTY	UNIT PRICE (EURO) 2021
07-1	IMPACT430-400-122.2-B	Handle Support Welding	1	136,54 €
07-2	IMPACT430-400-123-C	Handle Bar Housing	1	150,00 €
07-3	IMPACT430-400-131-A	Handle Bar Axis	1	41,36 €
07-4	IMPACT430-400-200-A	Shift handle Bar Shock Mo	2	60,58 €
07-5	IMPACT430-400-110-B	Cylinder	1	288,46 €
07-6	IMPACT430-400-109-B	Piston	1	68,24 €
07-7	IMPACT430-400-112-A	Handle Lever	1	46,15 €
07-8	IMPACT430-400-118.1-B	Shift Bar Weldment	1	46,15 €
07-9	IMPACT430-400-201-A	Spring Holding Plate	1	3,85 €
07-10	IMPACT430-400-114-A	Cylinder Cover	1	28,53 €
07-11	IMPACT430-400-120.1-C	Cylinder Spring	1	23,08 €
07-12	IMPACT430-400-202-A	Dust cover	1	24,93 €
07-13	IMPACT430-400-203-A	Oil seal	1	26,49 €
07-14	IMPACT430-400-204-A	Guide ring	2	2,96 €
07-15	IMPACT430-400-116-A	Brass Bush	2	3,71 €
07-16	IMPACT430-400-107-A	Bracket 1	1	31,15 €
07-17	IMPACT430-400-108-A	Bracket 2	1	31,15 €
07-18	IMPACT430-400-112.1-A	Brass Bush	2	28,78 €
07-19	IMPACT430-400-37-A	Hook Pin	1	8,38 €
07-20	IMPACT430-400-35-C	Hook	1	41,49 €
07-21	IMPACT430-400-65-C	Hair Spring	1	8,24 €
07-22	IMPACT430-400-119-B	Eye pin-pin 8x26	1	8,51 €
07-23	IMPACT430-400-117-B	Handle lever pin(pin 10x2	1	9,60 €
07-24	IMPACT430-400-207-A	O-ring	1	0,83 €
07-25	IMPACT430-400-205-A	Cable slot rubber	1	4,54 €
07-26	IMPACT430-400-121-D	Handle bar	1	38,96 €
07-27	IMPACT430-400-HF.B-M6x12-8.8-DIN-1	Bolt	10	0,58 €
07-28	IMPACT430-400-22-B	Shift handle bar assembly	2	65,28 €
07-29	IMPACT430-400-HF.B-M8x16-8.8-DIN-1	Bolt	4	0,61 €
07-30	IMPACT430-400- HF.B-M8x20-8.8-DIN-1	Bolt	8	0,68 €
07-31	IMPACT430-400-151978	Control lever	1	89,43 €
07-32	IMPACT430-400-HF.B-M6x30-8.8-DIN-1	Bolt	2	0,60 €
07-33	IMPACT430-400-A-8x7x30	key	1	0,75 €
07-34	IMPACT430-400-CS.RG10	Circlip	2	0,46 €
07-35	IMPACT430-400-HHOS.B-M20x1.5X10	Bolt	1	2,53 €
07-36	IMPACT430-400-CS.RG8	Circlip	2	0,46 €
07-37	IMPACT430-400-HF.B-M12X25-8.8-DIN-2	Bolt	1	1,35 €
07-38	IMPACT430-400-CS.RG16	Circlip	2	0,50 €
07-39	IMPACT430-400-HS.B-M8x50-8.8-DIN-2	Bolt	2	0,58 €
07-40	IMPACT430-400-HF.B-M10x25-8.8-DIN-1	Bolt	1	0,88 €
07-41	IMPACT430-400-64-C	Hook Pin Nylon Bracket	2	2,73 €
07-42	IMPACT430-400-530888	Control Cable	1	92,31 €
07-43	IMPACT430-400-36-B	Hook Frame	1	37,35 €
07-44	IMPACT430-400-208-A	Connector	1	13,35 €
07-45	IMPACT430-400-209-A	Connector-2	1	9,64 €
07-46	IMPACT430-400-63-A	Hydraulic Hose	1	47,80 €
07-47	IMPACT430-400-17-A	HandleBar Tube	1	35,44 €
07-48	IMPACT430-400-ZH-D-M20	Washer	1	0,58 €
07-49	IMPACT430-400-HF.B-M12x30-8.8-DIN-2	Bolt	2	1,43 €
07-50	IMPACT430-400-FN.W12-DIN-2	Washer	2	0,46 €
07-51	IMPACT430-400-FN.W8-DIN-2	Washer	4	0,46 €

07-52	IMPACT430-400-HSPG.W8-DIN-2	Washer	4	0,46 €
07-53	IMPACT430-400-FN.B-M8x30-8.8-DIN-2	Bolt	4	0,50 €
07-54	IMPACT430-400-18-B©	HandleBar Touch	1	13,01 €
07-55	IMPACT430-400-IN.N-M8-DIN-2	LockNut	4	0,46 €
07-56	IMPACT430-400-WOD.W12-DIN-2	Washer	2	0,54 €
07-57	IMPACT430-400-ST.PIN-3X12	Split Pin	2	0,58 €



Drawn	TTL	Model	IMPACT430	Drawing No.	IMPACT430-400-0.7-A
Checked		Description	HANDLE BAR ASSEMBLY		
Approved		Date	2012.10.17		