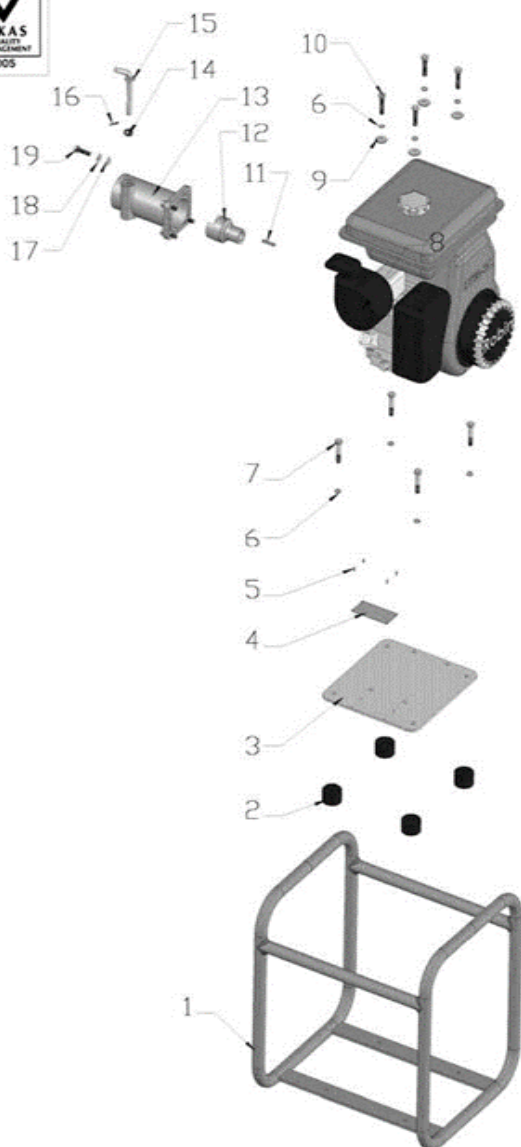


DRCEY20-3C(DH)-B ENGINE BASE ASSY

NO.	PART NO.	PART DESCRIPTION	QTY	UNIT PRICE (EURO) 2021
1	DRCEY20-3C(DH)-EB-0200	ENGINE BASE	1	139,91 €
2	DRCEY20-3C(DH)-EB20B-0103	RUBBER ABSORBER	4	5,00 €
3	DRCEY20-3C(DH)-EB-0210	FIXING PLATE	1	33,90 €
4	DRCEY20-3C(DH)-D4-MP-P	NAMEPLATE	1	1,30 €
5	DRCEY20-3C(DH)-K.RVT-3.2x7.1	RIVET	4	0,25 €
6	DRCEY20-3C(DH)-SPG.W8-DIN-1	SPRING WASHER, TANG ENDS	12	0,20 €
7	DRCEY20-3C(DH)-FN.B-M8x45-8.8-DIN-1	BOLT	4	0,30 €
8	DRCEY20-3C(DH)-W05-EY20-3C	ENGINE	1	
9	DRCEY20-3C(DH)-WOD.W8-GB-1	WASHER	4	0,20 €
10	DRCEY20-3C(DH)-FN.B-M8x40-8.8-DIN-1	BOLT	4	0,30 €
11	DRCEY20-3C(DH)-Key.A-5x5x30	KEY	1	7,50 €
12	DRCEY20-3C(DH)-VIBTCC-1102	ENGINE DRIVE SHAFT	1	34,00 €
13	DRCEY20-3C(DH)-F05081P	BELL HOUSING(DYNAPAC HOUSING)	1	86,25 €
14	DRCEY20-3C(DH)-F04837	SPRING	1	1,00 €
15	DRCEY20-3C(DH)-F04835	TRIGGER	1	17,50 €
16	DRCEY20-3C(DH)-SC.PIN-4x20	SPRING PIN	1	0,25 €
17	DRCEY20-3C(DH)-FN.W8-DIN-1	WASHER	4	0,15 €
18	DRCEY20-3C(DH)-HSPG.W8-DIN-1	SPRING WASHER, TANG ENDS	1	0,20 €
19	DRCEY20-3C(DH)-FN.B-M8x30-8.8-DIN-1	BOLT	4	0,30 €



Drawn	G.W.P	Model	DRCEY20-3C	Drawing No.	DRCEY20-3C (DH)
Checked		Description	ENGINE BASE ASSEMBLY (引擎支架装配)		
Approved		Date	2009. 12. 24		