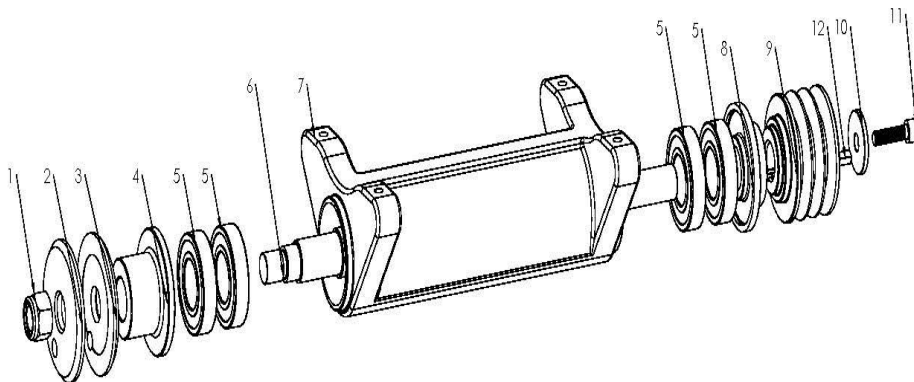


CUTS 400X-0.1 SPINDLE ASSEMBLY

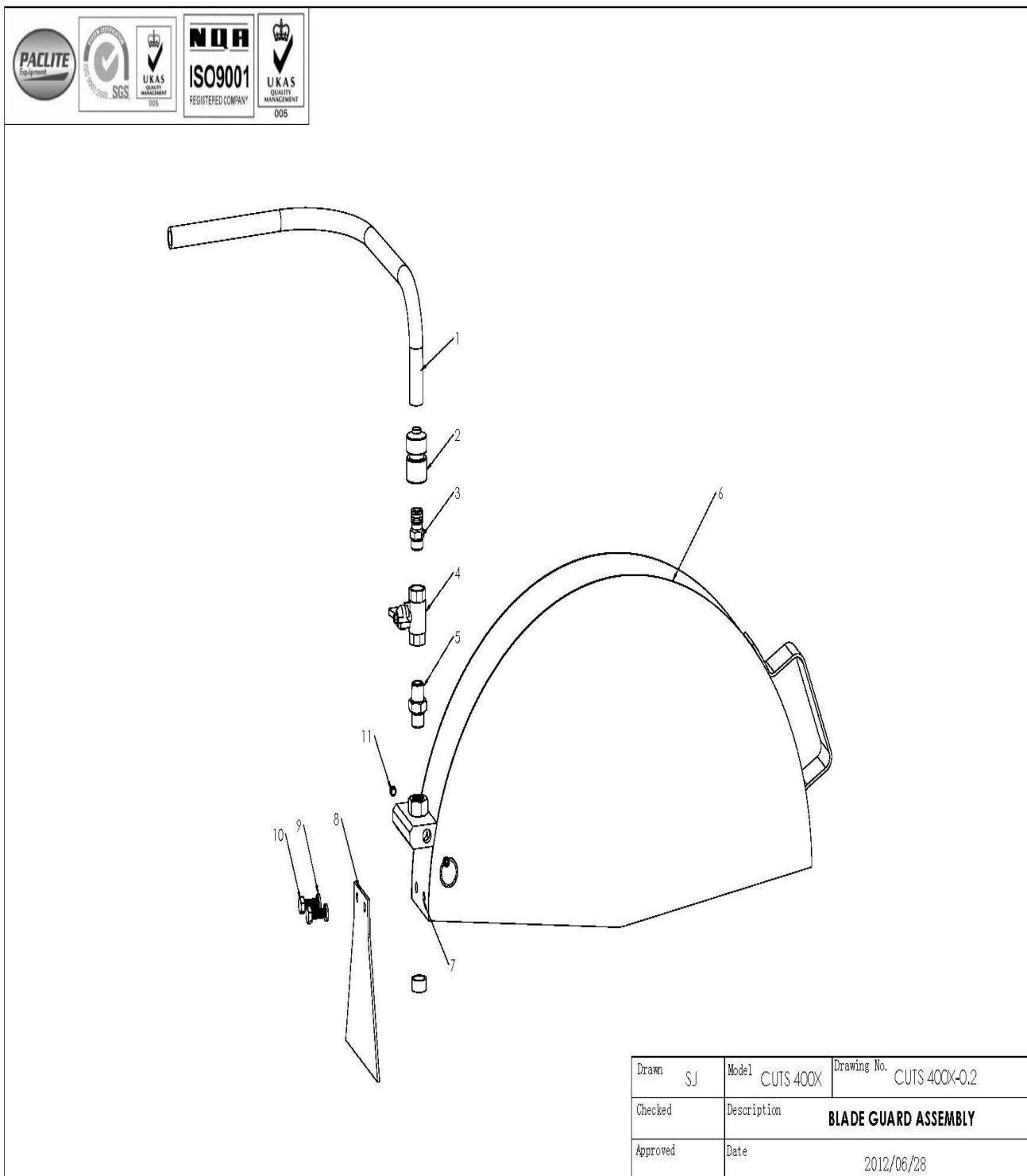
NO.	PART NO.	PART DESCRIPTION	QTY	UNIT PRICE (EUR) 2021
01-1	CUTS 400X-16-050400	Lock Nut	1	12,00 €
01-2	CUTS 400X-16-050500AL	Arbor Left	1	52,76 €
01-3	CUTS 400X-16-050500AR	Arbor Right	1	52,76 €
01-4	CUTS 400X-16A-49-B	Bearing Cover L	1	43,48 €
01-5	CUTS 400X-16A-48-A	Ball Bearing	4	41,18 €
01-6	CUTS 400X-16A-53-A	Shaft	1	116,08 €
01-7	CUTS 400X-16A-26-C	Spindle mount M	1	310,36 €
01-8	CUTS 400X-16A-50-A	Bearing Cover R	1	29,47 €
01-9	CUTS 400X-16A-52-A	Spindle Pulley	1	57,86 €
01-10	CUTS 400X-16A-55-A	Spindle Pulley washer	1	5,75 €
01-11	CUTS 400X-HS.B-M10x40-8.8-GB-1	Bolt	1	0,43 €
01-12	CUTS 400X-Key.C-7x7x50	Spindle key	1	1,87 €



Drawn	SJ	Model	CUTS400X	Drawing No.	CUTS 400X-0.1
Checked		Description	SPINDLE ASSEMBLY		
Approved		Date	2012/07/09		

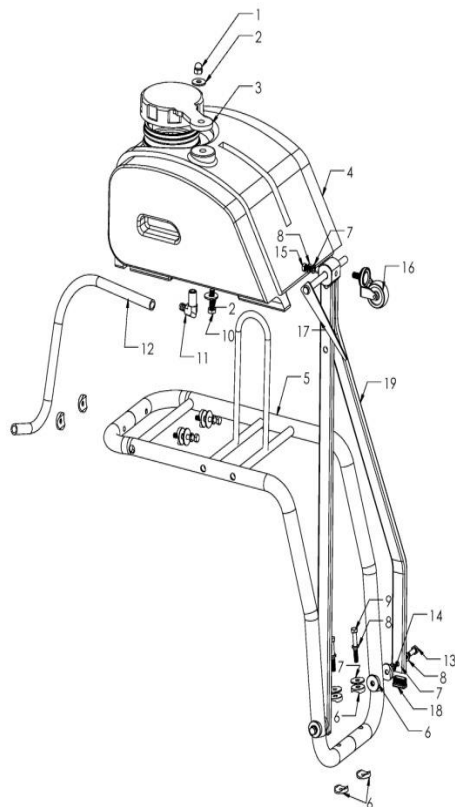
CUTS 400X-0.2 BLADE GUARD ASSEMBLY

NO.	PART NO.	PART DESCRIPTION	QTY	UNIT PRICE (EUR) 2021
02-1	CUTS 400X-20A-030416	Hose	1	35,72 €
02-2	CUTS 400X-20A-030412	Water Spliter	1	32,63 €
02-3	CUTS 400X-KSJT-G3/8-16	Left Water Connector	1	31,55 €
02-4	CUTS 400X-6.5-070001	Control valve	1	28,39 €
02-5	CUTS 400X-650-070400	Right water Connector	1	29,47 €
02-6	CUTS 400X-16A-57-E	Blade Cover weldment	1	264,36 €
02-7	CUTS 400X-IN.N-M8-DIN-1	Nut	2	0,22 €
02-8	CUTS 400X-16-000005	Dust Cover	1	11,57 €
02-9	CUTS 400X-HSPG.W8-DIN-1	Washer	2	0,22 €
02-10	CUTS 400X-FN.B-M8x20-8.8-DIN-1	Bolt	2	0,29 €
02-11	CUTS 400X-FHSS.S-M12x10-GB-3	Grub Screw	1	0,43 €



CUTS 400X-0.3 TUBE FRAME ASSEMBLY

NO.	PART NO.	PART DESCRIPTION	QTY	UNIT PRICE (EUR) 2021
03-1	CUTS 400X-HC.N-M10-DIN-2	Nut	1	0,58 €
03-2	CUTS 400X-WOD.W10-GB-2	Washer	2	0,36 €
03-3	CUTS 400X-650-070200	Water Tank Cap	1	112,56 €
03-4	CUTS 400X-16A-35-A	Water tank	1	209,59 €
03-5	CUTS 400X-16A-23-A	Tube Frame	1	218,43 €
03-6	CUTS 400X-20A-030406	Frame washer	12	82,08 €
03-7	CUTS 400X-FN.W8-DIN-2	Washer	6	0,22 €
03-8	CUTS 400X-HSPG.W8-DIN-2	Washer	7	0,22 €
03-9	CUTS 400X-FN.B-M8x55-8.8HALF-DIN-2	Bolt	4	0,43 €
03-10	CUTS 400X-FN.B-M10x50-8.8-DIN-1	Bolt	1	0,43 €
03-11	CUTS 400X-20A-030414	Water Tank Tir In	1	8,41 €
03-12	CUTS 400X-20A-030416 (1600 mm)	Hose	1	35,72 €
03-13	CUTS 400X-FN.B-M8x65-8.8HALF-DIN-2	Bolt	2	0,50 €
03-14	CUTS 400X-FNL.N-M8-DIN-2	Nut	2	0,22 €
03-15	CUTS 400X-FN.B-M8x20-8.8HALF-DIN-2	Bolt	1	0,29 €
03-16	CUTS 400X-20-010006	Myriad Wheel	1	50,46 €
03-17	CUTS 400X-20-010200	Pointer	1	15,60 €
03-18	CUTS 400X-20A-030300	Cover	2	5,25 €
03-19	CUTS 400X-16A-92-B	Leading Pole	1	154,39 €

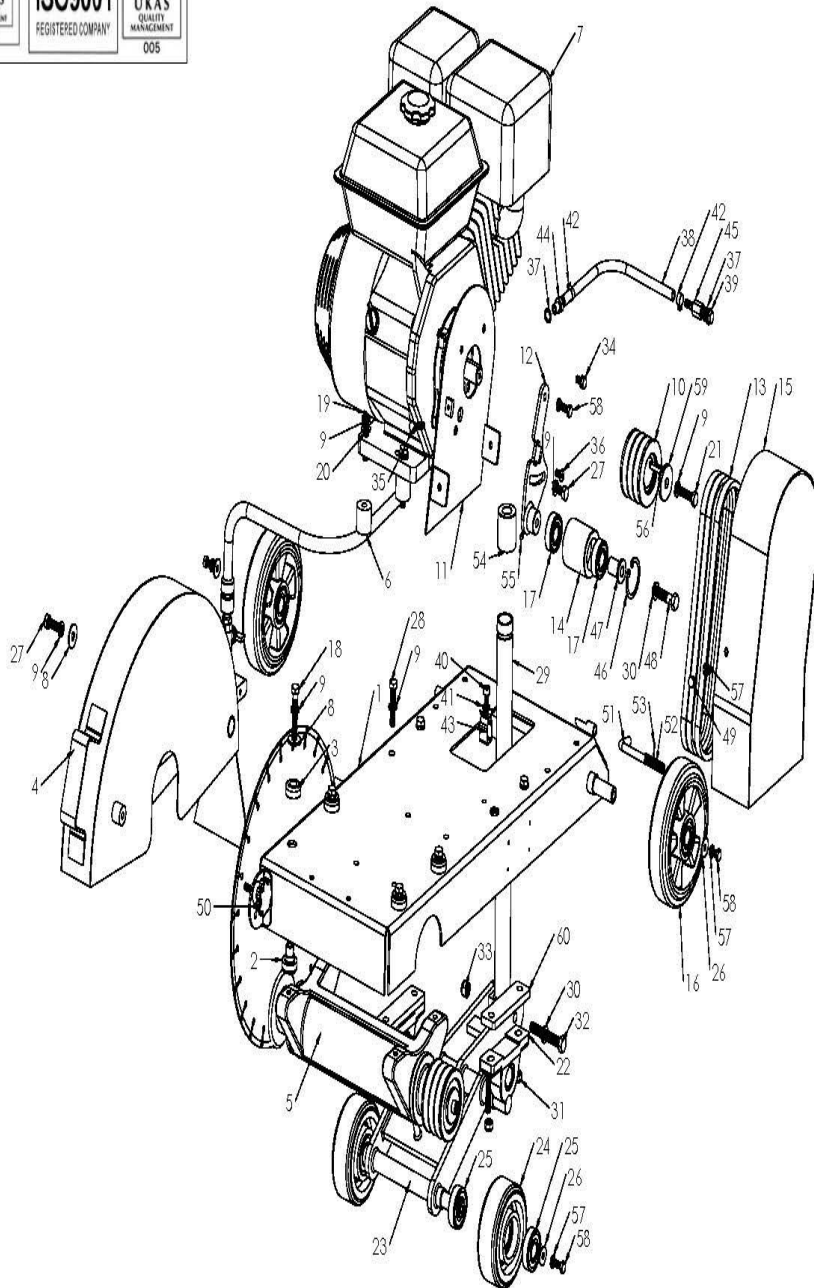


Drawn	SJ	Model	CUTS 400X	Drawing No.	CUTS 400X-0.3
Checked		Description	TUBE FRAME ASSEMBLY		
Approved		Date	2012/06/28		

CUTS 400X-0.4 ENGINE BASE ASSEMBLY

NO.	PART NO.	PART DESCRIPTION	QTY	UNIT PRICE (EUR) 2021
04-1	CUTS 400X-16A-01-A	Engine Base Frame	1	210,32 €
04-2	CUTS 400X-16A-06-A	Shock Mount Female	4	8,70 €
04-3	CUTS 400X-16A-06.1-A	Shock Mount Male	4	4,31 €
04-4	CUTS 400X-57-A	Blade Cover weldment	1	264,36 €
04-5	CUTS 400X-16A-0.1-A	Spindle Assembly	1	423,70 €
04-6	CUTS 400X-16A-01.2-A	Engine Support	4	6,40 €
04-7	CUTS 400X-W05-GX390UT2-SXQ4	Engine	1	
04-8	CUTS 400X-WOD.W10-GB-1	Washer	5	0,36 €
04-9	CUTS 400X-HSPG.W10-DIN-1	Lock Washer	15	0,22 €
04-10	CUTS 400X-16A-28-A	Engine Spindle Pulley	1	55,49 €
04-11	CUTS 400X-16A-65-A	v-belt plate	1	64,54 €
04-12	CUTS 400X-20A-010900	Idler Pulley bracket	1	48,66 €
04-13	CUTS 400X-W02-A30	V-belt	3	15,09 €
04-14	CUTS 400X-20A-010423	Idler	1	90,42 €
04-15	CUTS 400X-16A-66-A	V-belt cover	1	105,66 €
04-16	CUTS 400X-20A-010500	Rear Wheel	2	308,20 €
04-17	CUTS 400X-W01-6204ZZ-G	Rear Wheel Bearing	6	8,19 €
04-18	CUTS 400X-FN.B-M10x60-10.9-DIN-1	Bolt	4	0,58 €
04-19	CUTS 400X-FN.B-M10x70-10.9-DIN-1	Bolt	4	0,65 €
04-20	CUTS 400X-FN.W10-DIN-1	Washer	4	0,22 €
04-21	CUTS 400X-FN.B-M10x35-8.8-DIN-1	Bolt	1	0,43 €
04-22	CUTS 400X-W01-UCP205-G	LB Bearing	2	22,93 €
04-23	CUTS 400X-16A-30-A	Lifting Base	1	201,61 €
04-24	CUTS 400X-20-050400	Front wheel	2	149,36 €
04-25	CUTS 400X-W01-6304ZZ-G	Front Wheel bearing	4	11,14 €
04-26	CUTS 400X-WOD.W8-GB-1	Washer	4	0,22 €
04-27	CUTS 400X-FN.B-M10x25-8.8-DIN-1	Bolt	2	0,29 €
04-28	CUTS 400X-FN.B-M10x50-8.8-DIN-1	Bolt	4	0,50 €
04-29	CUTS 400X-16A-20-B	Lifting Rod	1	121,11 €
04-30	CUTS 400X-HSPG.W12-DIN-1	Lock Washer	2	0,29 €
04-31	CUTS 400X-IN.N-M10-DIN-1	Lock Nut	4	0,29 €
04-32	CUTS 400X-FN.B-M12x90-8.8-DIN-1	Bolt	1	1,01 €
04-33	CUTS 400X-IN.N-M12-DIN-1	Lock Nut	1	0,36 €
04-34	CUTS 400X-FN.B-M8x16-8.8-DIN-1	Bolt	1	0,29 €
04-35	CUTS 400X-FN.B-M8x40-8.8-DIN-1	Bolt	1	0,36 €
04-36	CUTS 400X-HSF.S-M8x16-8.8-DIN-1	Bolt	1	0,22 €
04-37	CUTS 400X-GB97.1-M12	Cuprum Washer	2	4,60 €
04-38	CUTS 400X-20A-010432	Hose	1	14,73 €
04-39	CUTS 400X-HHOS.B-M12x1.5	Bolt	1	2,37 €
04-40	CUTS 400X-HS.B-M8x25-8.8-GB-2	Screw	1	0,22 €
04-41	CUTS 400X-HSPG.W8-DIN-2	Spring Washer Tang ends	1	0,22 €
04-42	CUTS 400X-85d-000026	Hose Band	2	2,16 €
04-43	CUTS 400X-6.5-080000	Pipe Holder	1	4,17 €
04-44	CUTS 400X-650-010300	Connector A	1	9,42 €
04-45	CUTS 400X-650-010400	Connector B	1	8,41 €
04-46	CUTS 400X-CH.RG47	Internal Circlip	1	0,79 €
04-47	CUTS 400X-20A-030409	Bearing Bush	1	33,71 €
04-48	CUTS 400X-FN.B-M12x45-8.8HALF-DIN-2	Bolt	1	0,50 €
04-49	CUTS 400X-FN.B-M8x12-8.8-DIN-1	Bolt	2	0,29 €
04-50	CUTS 400X-StarH-M8x15	Star Bolt	1	3,74 €

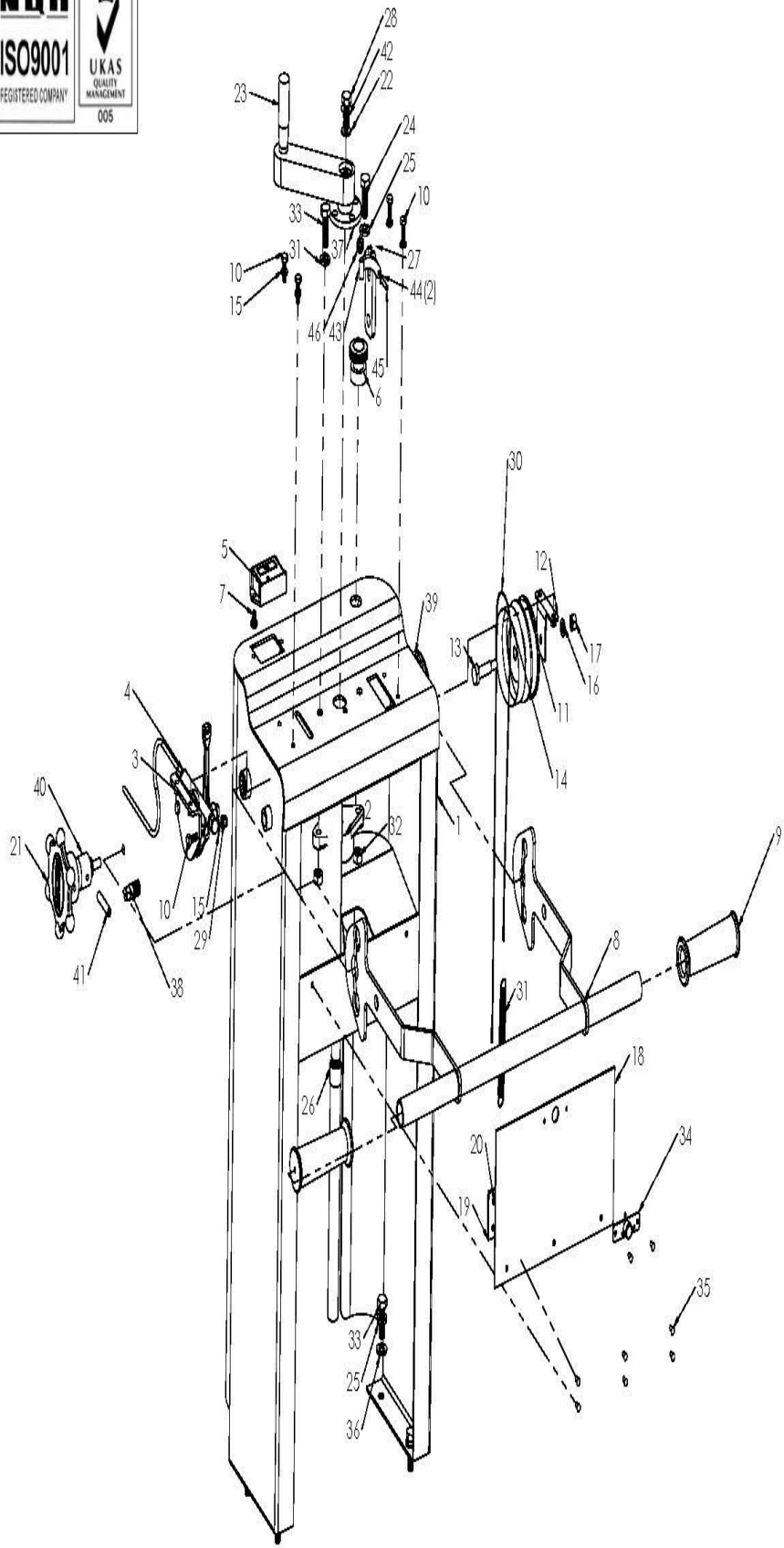
04-51	CUTS 400X-20A-010427	Brake bar	1	19,98 €
04-52	CUTS 400X-19.0.033	Spring	1	0,36 €
04-53	CUTS 400X-SP.PIN-1.6x20	Split Pin	1	0,14 €
04-54	CUTS 400X-16A-21-A	Feed Connector	1	34,21 €
04-55	CUTS 400X-ConeHSS.S-M6x10-GB-3	Socket Head Screw	1	0,22 €
04-56	CUTS 400X-16A-08-A	Engine Key	1	2,88 €
04-57	CUTS 400X-HSPG.W8-DIN-1	Lock Washer	8	0,22 €
04-58	CUTS 400X-FN.B-M8x20-8.8-DIN-1	Bolt	5	0,22 €
04-59	CUTS 400X-16A-29-A	Engine spindle washer	1	3,02 €
04-60	CUTS 400X-16A-01.6-A	LB Bearing Support	2	34,36 €



Drawn	SJ	Model	CUTS 400X	Drawing No.	CUTS 400X-0.4
Checked		Description ENGINE BASE ASSEMBLY			
Approved		Date	2012/06/28		

CUTS 400X-0.5 SUPPORT FRAME ASSEMBLY

NO.	PART NO.	PART DESCRIPTION	QTY	UNIT PRICE (EUR) 2021
05-1	CUTS 400X-16A-10-C	Support Frame	1	262,07 €
05-2	CUTS 400X-16A-13-A	Bearing	1	19,55 €
05-3	CUTS 400X-20A-020220	Throttle Level support	1	36,80 €
05-4	CUTS 400X-70ND-010018	Throttle Lever	1	182,06 €
05-5	CUTS 400X-20A-020208	Hourmeter	1	220,24 €
05-6	CUTS 400X-20A-020210	Stop Switch	1	82,08 €
05-7	CUTS 400X-PAN.S-M6X10	Pan Head Screw	2	0,22 €
05-8	CUTS 400X-16A-70-A	Handle Bar Weldment	1	128,87 €
05-9	CUTS 400X-100G-010001	Handle Bar Cover	2	8,41 €
05-10	CUTS 400X-FN.B-M6x20-8.8-DIN-2	Bolt	6	0,22 €
05-11	CUTS 400X-20A-020206	Show Wheel	1	86,25 €
05-12	CUTS 400X-20A-020209	Bracket	1	10,49 €
05-13	CUTS 400X-20A-020221	Bolt	1	29,47 €
05-14	CUTS 400X-16A-97-A	Depth Control Sticker	1	16,10 €
05-15	CUTS 400X-HSPG.W6-DIN-2	Spring Washer Tang ends	6	0,22 €
05-16	CUTS 400X-HSPG.W8-DIN-2	Spring Washer Tang ends	1	0,22 €
05-17	CUTS 400X-FN.N-M8-DIN-2	Nut	1	0,22 €
05-18	CUTS 400X-16A-72-A	ToolBox Cover	1	24,94 €
05-19	CUTS 400X-20A-020205	Rubber Connect Patch	1	17,83 €
05-20	CUTS 400X-20A-020211	Plank	2	13,66 €
05-21	CUTS 400X-16A-70.61P-B	Handle Bar Lock Knob	2	24,65 €
05-22	CUTS 400X-WOD.W6-GB-1	Washer	1	0,22 €
05-23	CUTS 400X-20A-39-A	Rocker	1	89,84 €
05-24	CUTS 400X-FN.B-M10x35-8.8-DIN-1	Bolt	1	0,43 €
05-25	CUTS 400X-HSPG.W10-DIN-2	Spring Washer Tang ends	7	0,22 €
05-26	CUTS 400X-16A-21-D	Feed mating rod	1	34,21 €
05-27	CUTS 400X-16A-101-A	Locker Support	1	15,45 €
05-28	CUTS 400X-FN.B-M6x30-8.8-DIN-2	Bolt	1	0,29 €
05-29	CUTS 400X-HC.N-M6-DIN-2	Cap nut	2	0,22 €
05-30	CUTS 400X-20A-030418	Depth Control wire	1	12,65 €
05-31	CUTS 400X-43-051001	Tension Spring	1	17,90 €
05-32	CUTS 400X-FN.N-M10-DIN-2	Nut	2	0,14 €
05-33	CUTS 400X-FN.B-M10x30-8.8-DIN-1	Bolt	5	0,43 €
05-34	CUTS 400X-20A-030411	Lock	1	78,85 €
05-35	CUTS 400X-K.RVT-4.0x10	Rivet	8	0,22 €
05-36	CUTS 400X-FN.W10-DIN-2	Washer	4	0,22 €
05-37	CUTS 400X-16A-100-A	Lock Holder	1	10,35 €
05-38	CUTS 400X-FN.B-M12X10-8.8-DIN-1	Bolt	2	0,14 €
05-39	CUTS 400X-16A-33-B	Stricker	1	37,23 €
05-40	CUTS 400X-16A-70.62P-B	Handle Knob	2	15,24 €
05-41	CUTS 400X-SC.PIN-5x40	Slotter Pin	2	0,50 €
05-42	CUTS 400X-HSPG.W6-DIN-1	Spring Washer Tang ends	1	0,22 €
05-43	CUTS 400X-16A-102-A	Hooker W	1	13,87 €
05-44	CUTS 400X-WSW-W4-DIN-1	Wave washer	2	0,43 €
05-45	CUTS 400X-FN.B-M4X35-DIN-1	Bolt	1	0,22 €
05-46	CUTS 400X-IN.N-M4-DIN-1	Nut	1	0,22 €



Drawn	SJ	Model	CUTS 400X	Drawing No.	CUTS 400X-0.5
Checked		Description	SUPPORT FRAME ASSEMBLY		
Approved		Date	2012/06/28		