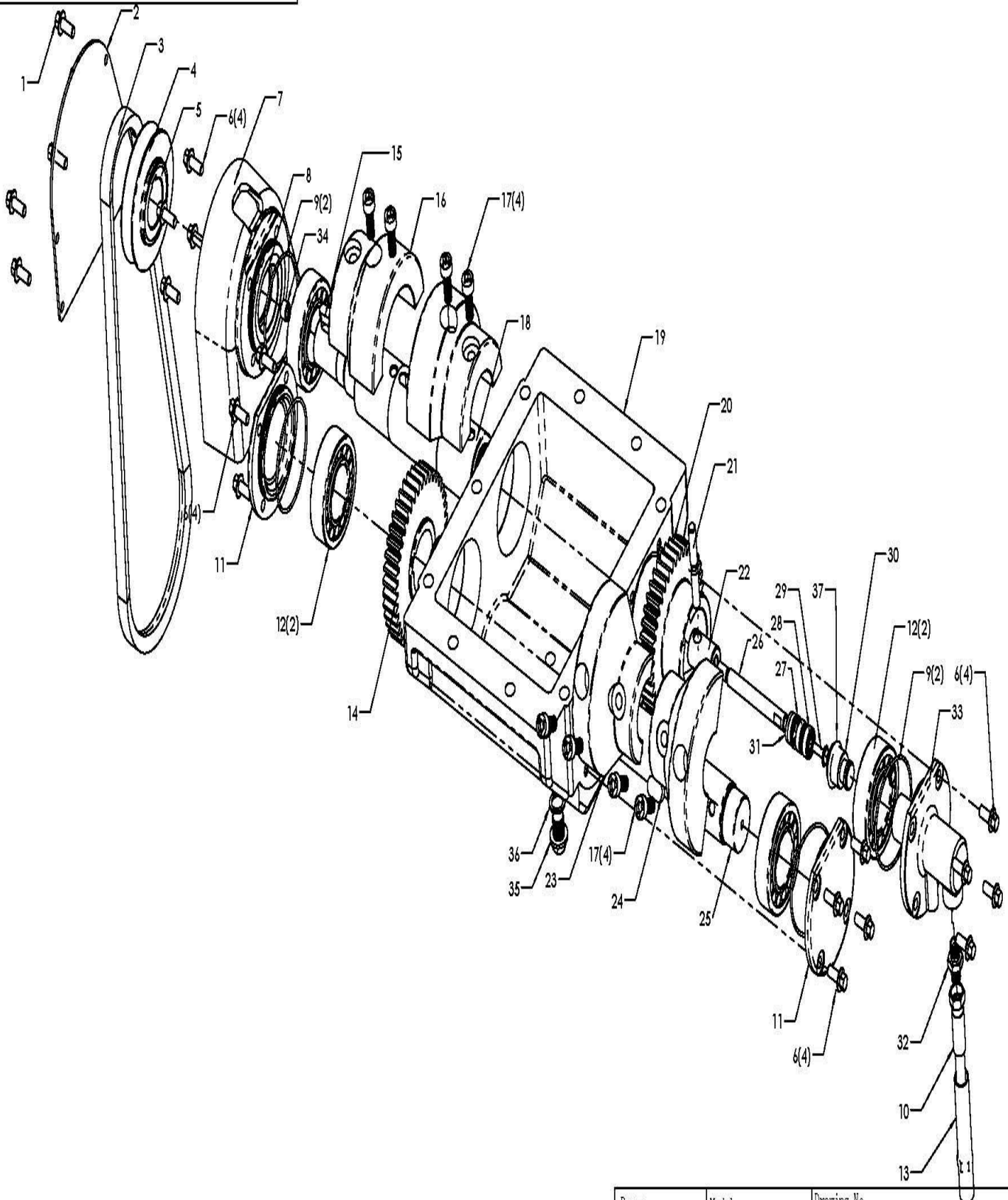


IMPACT200D-0.1-C GEARBOX ASSEMBLY

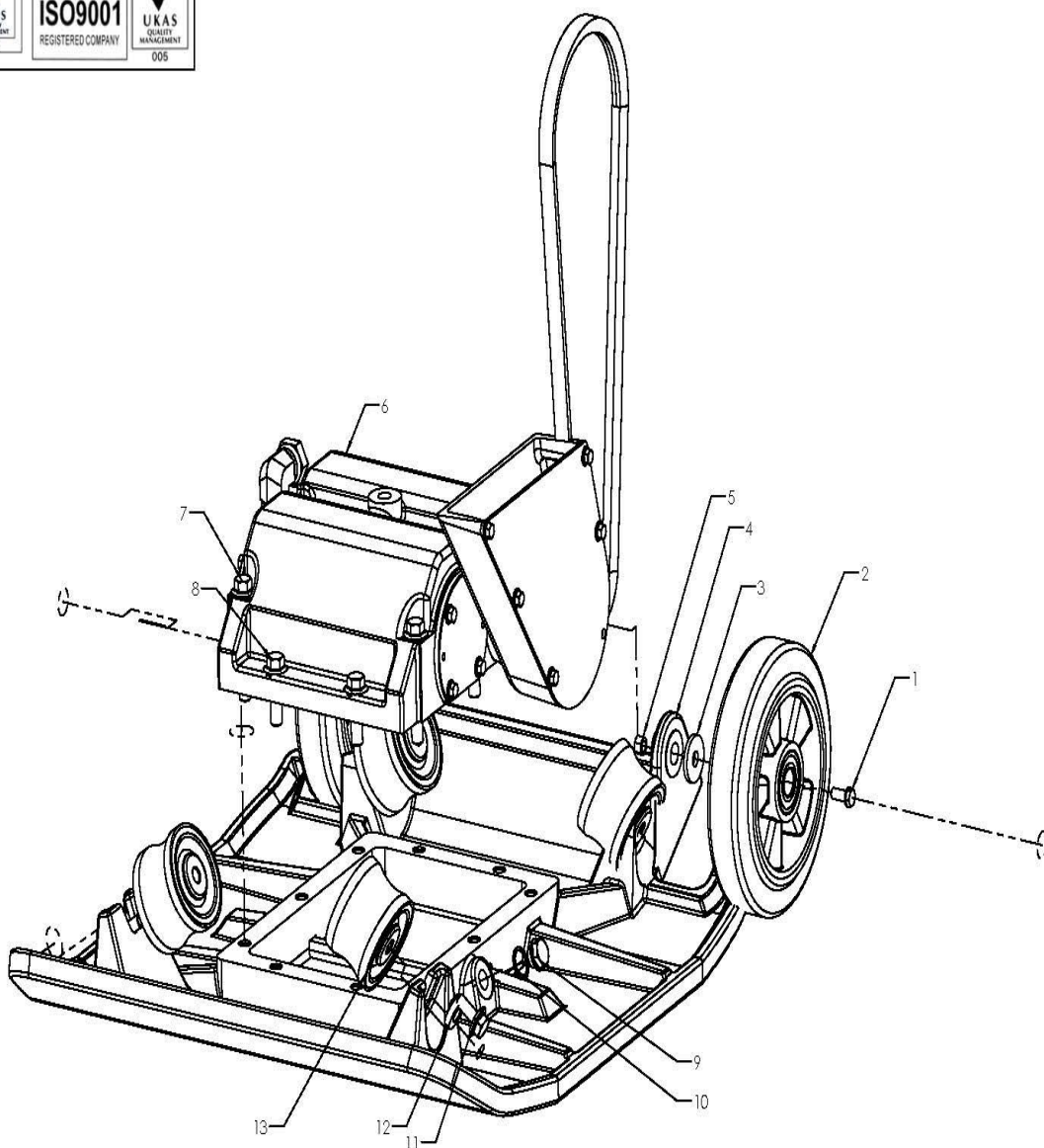
NO.	PART NO.	PART DESCRIPTION	QTY	UNIT PRICE (EUR) 2021
01-1	IMPACT200D-HF.B-M6X12-8.8-DIN-2	Bolt	6	0,99 €
01-2	IMPACT200D-200-11-A	V-belt Seal Sheet	1	82,74 €
01-3	IMPACT200D-200-62-A	V-belt	1	67,03 €
01-4	IMPACT200D-400-53-A	Gear Box Pulley	1	73,81 €
01-5	IMPACT200D-200-54-A	Taper Bore Bush	1	22,48 €
01-6	IMPACT200D-HF.B-M6X20-8.8-DIN-2	Bolt	12	0,50 €
01-7	IMPACT200D-200-13-A	V-belt Cover Base Plate	1	303,60 €
01-8	IMPACT200D-200-61-A	Gear Box Oil seal	1	3,14 €
01-9	IMPACT200D-W04-68X2	Oil ring	4	17,11 €
01-10	IMPACT200D-200-63-A	Hydraulic Hose	1	99,60 €
01-11	IMPACT200D-200-21-A	Bearing Cover	2	30,09 €
01-12	IMPACT200D-200-55-A	Roller bearing	4	251,79 €
01-13	IMPACT200D-ROL650-024000	Sprial Guard	1	64,47 €
01-14	IMPACT200D-200-125-A	Secondary gear	1	517,16 €
01-15	IMPACT200D-200-27-A	Primary Axle key	1	0,74 €
01-16	IMPACT200D-200-23-A	Eccentric weight-primary	2	47,28 €
01-17	IMPACT200D-HS.B-M10x25-12.9-GB-1	Socket Head Screw	8	0,50 €
01-18	IMPACT200D-200-15-A	Primary Axle	1	225,95 €
01-19	IMPACT200D-200-01-A	GearBox	1	327,47 €
01-20	IMPACT200D-200-126-A	Switch gear	1	511,61 €
01-21	IMPACT200D-200-25-A	Led pin	1	15,62 €
01-22	IMPACT200D-200-16-A	Guide led Pin	1	15,13 €
01-23	IMPACT200D-200-24-A	Eccentric weight-Secondary	2	50,83 €
01-24	IMPACT200D-200-28-A	Secondary Axle Key	1	12,65 €
01-25	IMPACT200D-200-26-A	Secondary axle	1	63,65 €
01-26	IMPACT200D-200-18-A	Plunger rod	1	29,26 €
01-27	IMPACT200D-200-117-A	Circlip-Switch Plunger	1	0,17 €
01-28	IMPACT200D-200-56-A	Ball bearing	2	23,39 €
01-29	IMPACT200D-HF.B-M6X20-8.8-DIN-2	Bolt	1	0,50 €
01-30	IMPACT200D-200-20-A	Switch Plunger	1	17,85 €
01-31	W03-14*22*5	Oil Seal-Plunger	1	2,48 €
01-32	IMPACT200D-200-208-A	GB Connector	1	12,15 €
01-33	IMPACT200D-200-31-A	Switch Cylinder	1	62,57 €
01-34	IMPACT200D-HS.B-M8X16-8.8-DIN-2	Socket Screw	1	0,33 €
01-35	IMPACT200D-FN.B-M16X20-8.8-DIN-2	Bolt	1	1,74 €
01-36	IMPACT200D-ZH-D-M16	Washer	1	0,74 €
01-37	IMPACT200D-W04-22*3.1	O-ring	1	0,66 €



Drawn	SJ	Model	IMPACT200D	Drawing No.	IMPACT200D-0.1-A
Checked		Description	GEARBOX ASSEMBLY		
Approved		Date	2012/09/20		

IMPACT200D-0.2-A BASE PLATE ASSEMBLY

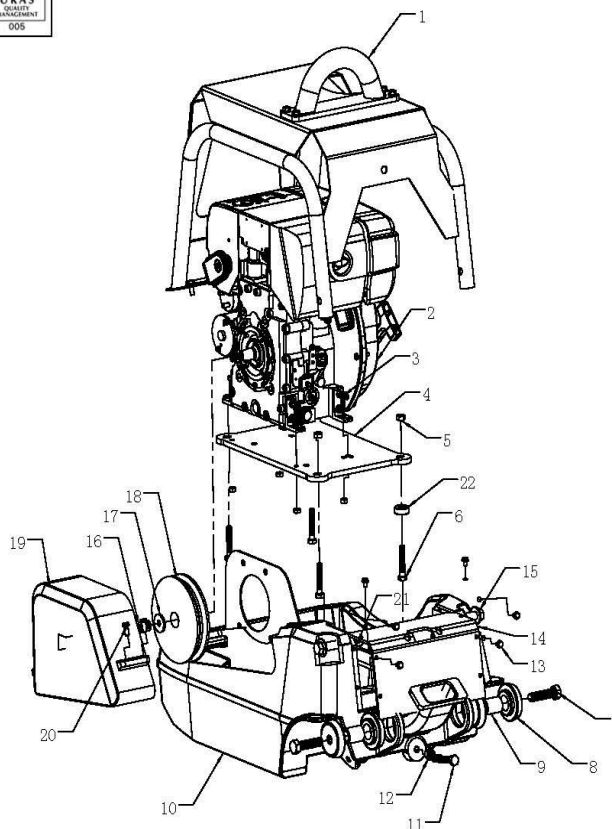
NO.	PART NO.	PART DESCRIPTION	QTY	UNIT PRICE (EUR) 2021
02-1	IMPACT200D-200-160-A	Wheel Bolt	2	11,14 €
02-2	IMPACT200D-20A-010500	Wheel	2	249,19 €
02-3	IMPACT200D-200-161-A	Wheel Bolt Bush	2	8,27 €
02-4	IMPACT200D-200-02-A	Base Plate	1	631,61 €
02-5	IMPACT200D-HF.N-M16-DIN-3	Hexagonal Nut	2	1,08 €
02-6	IMPACT200D-200-0.1-A	GearBox Assembly	1	3 393,71 €
02-7	IMPACT200D-HF.B-M12X80-12.9-DIN-2	Bolt	6	6,11 €
02-8	IMPACT200D-HF.B-M12X40-12.9-DIN-2	Bolt	4	3,38 €
02-9	IMPACT200D-HHOS.B-M-M16X2X25	Bolt	1	3,81 €
02-10	IMPACT200D-ZH-D-M16	Washer	1	0,65 €
02-11	IMPACT200D-HF.B-M12X25-12.9-DIN-2	Bolt	8	2,95 €
02-12	IMPACT200D-400-16-A	Base Plate Precision mount	4	14,23 €
02-13	IMPACT200D-200-09-A©	Shock Mount	4	184,00 €



Drawn	SJ	Model	IMPACT200D	Drawing No.	IMPACT200D-0.2-A
Checked		Description	BASEPLATE ASSEMBLY		
Approved		Date	2012/09/20		

IMPACT200D-0.3-A ENGINE BASE ASSEMBLY

NO.	PART NO.	PART DESCRIPTION	QTY	UNIT PRICE (EUR) 2021
03-1	IMPACT200D-200-0.5-A	Safety Cover Assembly	1	342,41 €
03-2	IMPACT200D-W05-1B30-3	Engine	1	
03-3	IMPACT200D-HF.B-M8X30-8.8-DIN-2	Bolt	4	0,79 €
03-4	IMPACT200D-200-05-B	Engine Mount Plate	1	135,99 €
03-5	IMPACT200D-IN.N-M10-DIN-2	Lock Nut	1	0,43 €
03-6	IMPACT200D-HF.B-M10X60-8.8-DIN-2	Bolt	4	2,16 €
03-7	IMPACT200D-HF.B-M16X60-8.8-DIN-2	Bolt	2	5,03 €
03-8	IMPACT200D-400-19-A©	Handle Bar Shock mount	4	66,34 €
03-9	IMPACT200D-400-24-A	Distance Pipe	2	6,33 €
03-10	IMPACT200D-200-03-A	Engine Base	1	58,22 €
03-11	IMPACT200D-FN.B-M12X70-8.8-DIN-2	Bolt	1	3,31 €
03-12	IMPACT200D-FN.N-M12-DIN-2	Nut	1	0,43 €
03-13	IMPACT200D-HF.B-M6X10-8.8-DIN-2	Bolt	6	0,50 €
03-14	IMPACT200D-200-04.2-A	Cover Front- Welding	1	81,65 €
03-15	IMPACT200D-HF.B-M12X90-8.8-DIN-2	Bolt	2	3,81 €
03-16	IMPACT200D-HF.B-M10X55-8.8-DIN-2	Bolt	1	1,65 €
03-17	IMPACT200D-80-0303	Washer	1	2,01 €
03-18	IMPACT200D-W18-E125-1805	Centrifugal Clutch	1	1 286,51 €
03-19	IMPACT200D-200-06-D	Cover V-Belt	1	220,87 €
03-20	IMPACT200D-HF.B-M8X45-8.8-DIN-2	Bolt	4	1,22 €
03-21	IMPACT200D-HF.N-M12-DIN-2	Hexagonal Nut	2	0,43 €
03-22	IMPACT200D-200-163-A	Engine Block	4	4,10 €

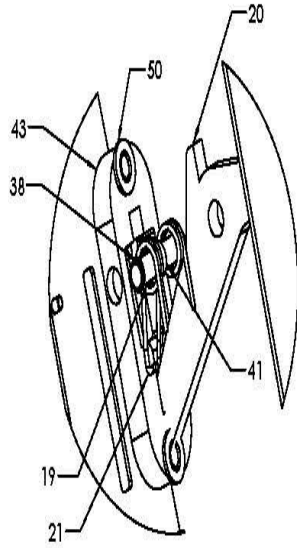


Drawn	SJ	Model	IMPACT200D	Drawing No.	IMPACT200D-0.3-A
Checked		Description	ENGINE BASE ASSEMBLY		
Approved		Date	2012/09/20		

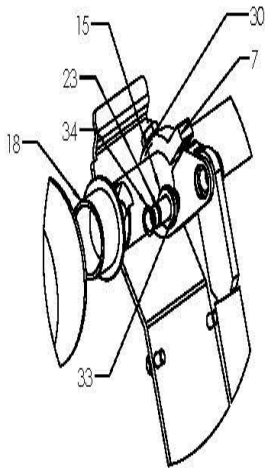
IMPACT200D-0.4-A HANDLEBAR ASSEMBLY

NO.	PART NO.	PART DESCRIPTION	QTY	UNIT PRICE (EUR) 2021
04-1	IMPACT230D-200H-22-A	Handle Support Welding	1	236,11 €
04-2	IMPACT230D-400-123-C	Handle Bar Housing	1	287,50 €
04-3	IMPACT200D-400-131-A	Handle Bar Axis	1	59,44 €
04-4	IMPACT200D-400-200-A	Shift handle Bar Shock Mount	2	120,75 €
04-5	IMPACT200D-400-110-B	Cylinder	1	497,58 €
04-6	IMPACT200D-400-109-B	Piston	1	135,99 €
04-7	IMPACT200D-400-112-A	Handle Lever	1	88,48 €
04-8	IMPACT200D-200H-10.2-C	Shift Bar Weldment	1	38,45 €
04-9	IMPACT200D-400-201-A	Spring Holding Plate	1	5,53 €
04-10	IMPACT200D-400-114-A	Cylinder Cover	1	40,97 €
04-11	IMPACT200D-400-120.1-C	Cylinder Spring	1	33,21 €
04-12	IMPACT200D-400-202-A	Dust cover	1	35,87 €
04-13	IMPACT200D-400-203-A	Oil seal	1	38,09 €
04-14	IMPACT200D-400-204-A	Guide ring	2	4,24 €
04-15	IMPACT200D-400-116-A	Brass Bush	2	5,32 €
04-16	IMPACT200D-IN.N-M8-DIN-2	LockNut	4	0,29 €
04-17	IMPACT200D-WOD.W12-DIN-2	Washer	2	0,43 €
04-18	IMPACT200D-400-112.1-A	Brass Bush	2	41,33 €
04-19	IMPACT200D-400-37-A	Hook Pin	1	12,00 €
04-20	IMPACT200D-400-35-C	Hook	1	59,66 €
04-21	IMPACT200D-400-65-C	Hair Spring	1	11,86 €
04-22	IMPACT200D-400-119-B	Eye pin-pin 8x26	1	12,22 €
04-23	IMPACT200D-400-117-B	Handle lever pin(pin 10x28)	1	13,80 €
04-24	IMPACT200D-400-207-A	O-ring	1	1,15 €
04-25	IMPACT200D-400-205-A	Cable slot rubber	1	6,54 €
04-26	IMPACT200D-200H-15-A	Handle bar	1	32,70 €
04-27	IMPACT200D-HF.B-M6x12-8.8-DIN-1	Bolt	10	0,86 €
04-28	IMPACT200D-400-22-B	Shift handle bar assembly	2	125,13 €
04-29	IMPACT200D-HF.B-M8x16-8.8-DIN-1	Bolt	4	0,86 €
04-30	IMPACT200D- HF.B-M8x20-8.8-DIN-1	Bolt	8	0,93 €
04-31	IMPACT200D-151978	Control lever	1	171,42 €
04-32	IMPACT200D-HF.B-M6x30-8.8-DIN-1	Bolt	2	0,86 €
04-33	IMPACT200D-A-8x7x30	key	1	1,08 €
04-34	IMPACT200D-CS.RG10	Circlip	2	0,65 €
04-35	IMPACT200D-HHOS.B-M20x1.5X10	Bolt	1	3,59 €
04-36	IMPACT200D-CS.RG8	Circlip	2	0,65 €
04-37	IMPACT200D-HF.B-M12X25-8.8-DIN-2	Bolt	1	3,67 €
04-38	IMPACT200D-CS.RG16	Circlip	2	0,72 €
04-39	IMPACT200D-ST.PIN-3X12	Split Pin	2	0,93 €
04-40	IMPACT200D-HF.B-M10x25-8.8-DIN-1	Bolt	1	1,29 €
04-41	IMPACT200D-400-64-C	Hook Pin Nylon Bracket	2	3,95 €
04-42	IMPACT200D-200H-25-A	Control Cable	1	79,66 €
04-43	IMPACT200D-400-36-B	Hook Frame	1	53,69 €
04-44	IMPACT200D-400-208-A	Connector	1	19,19 €
04-45	IMPACT200D-400-209-A	Connector-2	1	13,87 €
04-46	IMPACT200D-400-63-A	Hydraulic Hose	1	68,71 €
04-47	IMPACT200D-400-17-A	HandleBar Tube	1	50,96 €
04-48	IMPACT200D-ZH-D-M20	Washer	1	0,86 €
04-49	IMPACT200D-HF.B-M12x30-8.8-DIN-2	Bolt	2	4,46 €
04-50	IMPACT200D-FN.W12-DIN-2	Washer	2	0,65 €

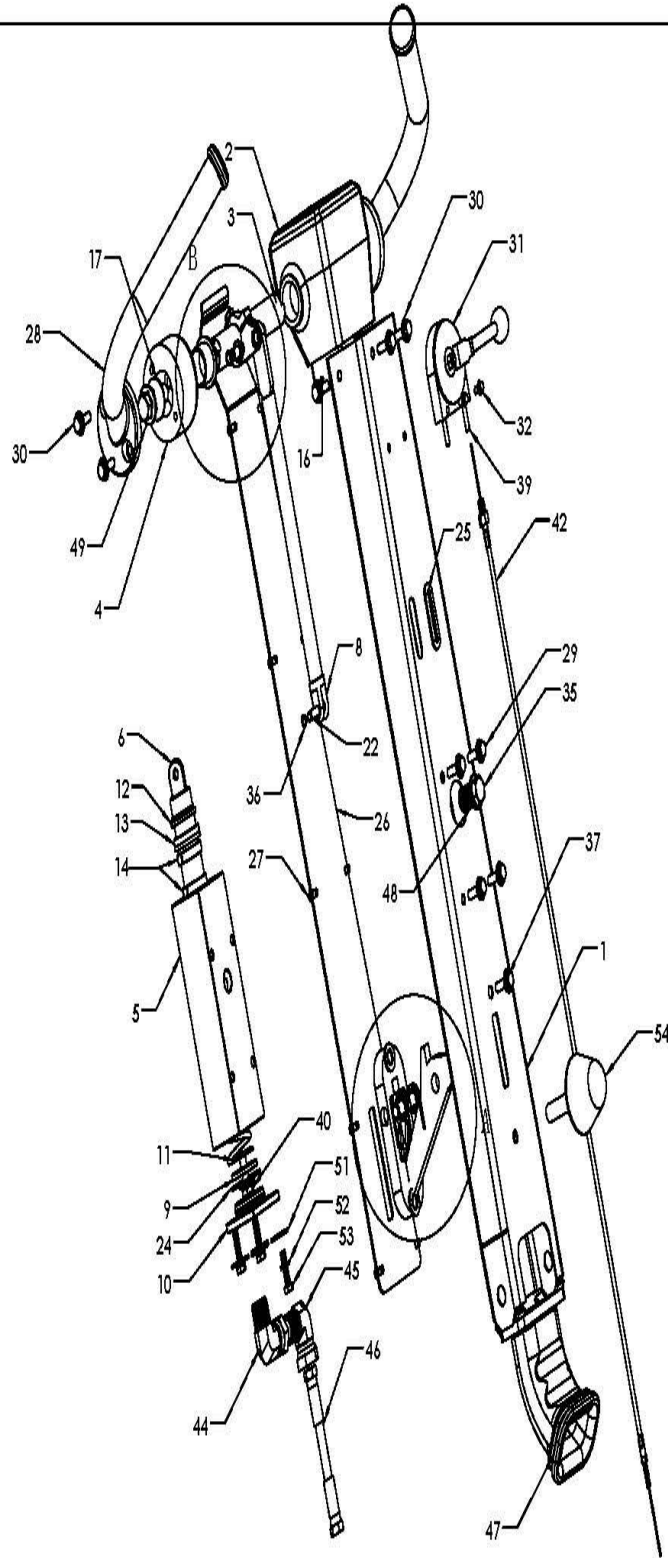
04-51	IMPACT200D-FN.W8-DIN-2	Washer	4	0,65 €
04-52	IMPACT200D-HSPG.W8-DIN-2	Washer	4	0,65 €
04-53	IMPACT200D-FN.B-M8x30-8.8-DIN-2	Bolt	4	0,72 €
04-54	IMPACT200D-400-18-B©	HandleBar Touch	1	18,69 €



DETAIL A
SCALE 1 : 4



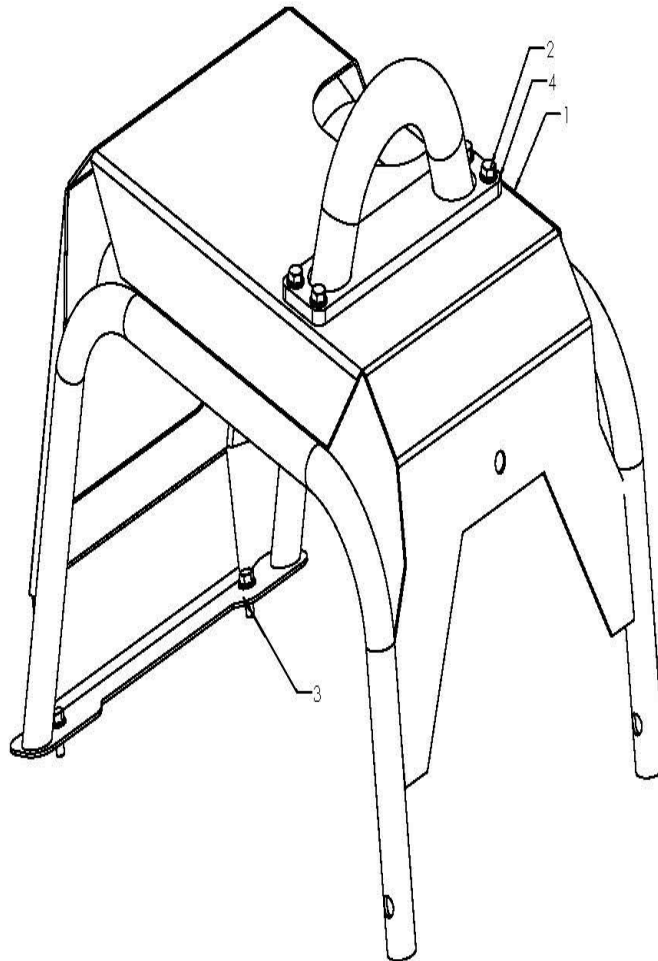
DETAIL B
SCALE 1 : 4



Drawn	SJ	Model	IMPACT200D	Drawing No.	IMPACT200D-0.4-A
Checked		Description	HANDLEBAR ASSEMBLY		
Approved		Date	2012/09/20		

IMPACT200D-0.5-A SAFETY COVER ASSEMBLY

NO.	PART NO.	PART DESCRIPTION	QTY	UNIT PRICE (EUR) 2021
05-1	IMPACT200D-200-166-A	Safety Cover Weldment	1	306,79 €
05-2	IMPACT200D-HF.B-M10X25-8.8-DIN-2	Bolt	4	0,93 €
05-3	IMPACT200D-HF.B-M10X20-8.8-DIN-2	Bolt	4	0,86 €
05-4	IMPACT200D-200-165-A	Lift eye	1	52,18 €



Drawn	SJ	Model	IMPACT200D	Drawing No.	IMPACT200D-0.5-A
Checked		Description	SAFETYCOVER ASSEMBLY		
Approved		Date	2012/09/20		