

PLUG-IN tower light

The tower light MAXI LIGHT PLUG-IN LED DIALUX is available for diverse rental applications and to supply the users with solid lighting equipment that is easy to transport and meets all site requirements. The additional safety functions ensure that the lamps are protected during transport.

The most flexible and the most powerful lighting solution on the market, allowing the users to connect the tower light to every type of power supply, including an auxiliary supply, a generator and even directly to the network.

FEATURES AND BENEFITS

- Ideal for special event management, projects in urban areas, temporary roads, public construction and lighting.
- Durable, unbreakable LED lamps: more than 20,000 hours.
- Bright coverage area of 3000m² (20 lux on average).
- Footboard facilitates dismantling.
- Compact.
- Economic.
- Perforated lamp armatures permitting wind to blow through without causing pressure to the mast.



PLUG-IN LED

Ecological

No emissions
No fuel

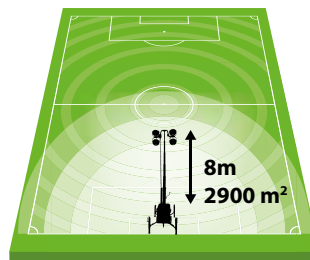
Enhanced safety

Telescopic vertical mast



Removable foot step

Code	MAXLIGHT230V	MAXHYBRID
Model	MAX-LIGHT PLUG-IN LED	MAX-LIGHT PLUG-IN & GO HYBRID
Frequency (Hz)	50/60	50/60
Rated power hp (kW)	(0,64)	3 (2,2)
Winch	Manual	Manual
Height (m)	8	8
Minimum dimension (mm)	1160 × 800 × 2200	1160 × 800 × 2200
Maxi. dimension developed (mm)	1950 × 1250 × 7200	1950 × 1250 × 7200
Net weight (kg)	265	296
Lamp power (W)	160 W × 4	160 W × 4
Lamp type	LED	LED
Lighting area (5 lux min.) (m ²)	3000	3000
Lumen	61000	61000
Rotation of the mast	Fixed	Fixed
Outlet socket 16 A - 230 V	Yes	Yes
Trailer	No	No
Programmable Hour Meter Astro clock/timer	Option	Option
Grounding cable	Option	Option
Sound pressure @ 7m (dB)	65	75
Engine	-	PACLITE*
Certified power SAE J 1349		



Average 20 lux
Connected in series



PLUG-IN HYBRID

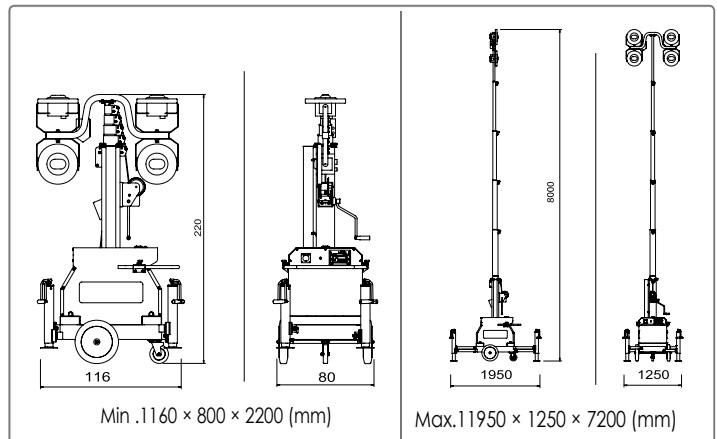
Enhanced safety

Telescopic vertical mast



Removable foot step

*PACLITE ENGINE	
Gasoline engine with manual start	
Power: 3,1cv (2,5 kw)	
Autonomy: 8 h	
Fuel tank: 10 l	
Sound pressure: 75 (dB)	
OPTION	Code
X-TRAIL For serial connection	TX2



COMPACT

MOBILE EQUIPMENT

CONCRETE EQUIPMENT

SURFACING

CUTTING - GRINDING