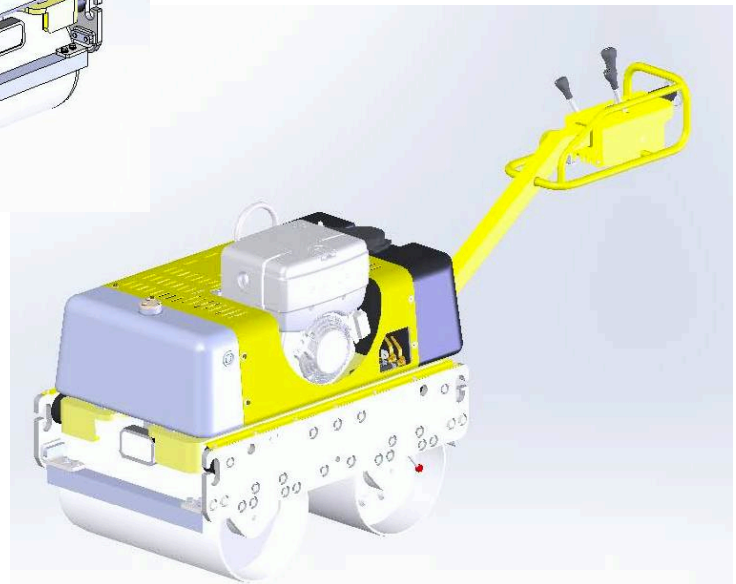
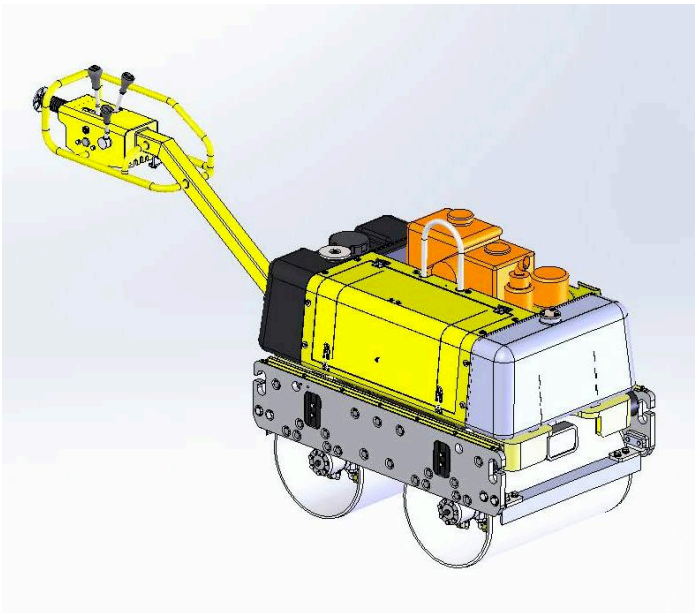


VR9000HD/VR9000H-1B40



GB/US	Operator's Manual	2
F	Manuel De L'Opérateur	14

EC DECLARATION OF CONFORMITY / DECLARATION CE DE CONFORMITE / DECLARACIÓN DE CONFORMIDAD CE / DECLARAÇÃO CE DE CONFORMIDADE

GB/US

We, **Uni-corp Europe**, hereby certify that if the product described within this certificate is bought from an authorised Paclite dealer within the EEA, it conforms to the following directives: Machinery Directive 2006/42/EC, Electromagnetic Compatibility Directive 2004/108/EC (as amended by 92/31/EEC & 93/68 EEC). The physical agent (vibration) conforms with the directive 2002/44/EC. The low voltage directive 2006/95/EC, BS EN ISO 12100-1/2 Safety of machinery and associated harmonised standards, where applicable. Noise emissions conform to directive 2005/88/EC Annex VI), for machines under article 12 the notified body is **TÜV Rheinland Product Safety GmbH - Am Grauen Stein - D-51105 Köln, Germany.**

F

Nous soussignons, **Uni-corp Europe**, certifions que si le produit décrit dans ce certificat est acheté chez un distributeur de la marque déposée "Paclite" au sein de la EEA, celui-ci est conforme aux norms CEE ci-après: Norme de la machine 2006/42/CE, Norme compatible pour l'électromagnétisme 2004/108/CE (modifié par 92/31/CEE et 93/68/CEE). Le nombre de vibrations est en accord avec la directive 2002/44/CE. Caractéristiques basse tension 2006/95/CEE, BS EN ISO 12100-1/2, Norme de sécurité des machines et des critères associés et configurés, si applicable. Les émissions de bruit sont conformes à la directive 2005/88/CE Annexe VI pour machines, article 12. L'objet mentionné est **TÜV Rheinland Product Safety GmbH - Am Grauen Stein - D-51105 Köln, Allemagne.**

E

La Sociedad, **Uni-corp Europe**, por el presente documento certifica que si el producto descrito en este certificado es comprado a un distribuidor autorizado de Paclite en la EEA, este es conforme a las siguientes directivas: 2006/42/CE de la CEE, Directiva 2004/108/CEE sobre Compatibilidad Electromagnética (según enmiendas 92/31/CEE y 93/68 CEE). El numero de vibraciones esta de acuerdo con la Directiva 2002/44/CE. Directiva sobre Bajo Voltaje 2006/95/CEE, BS EN ISO 12100-1/2 de Seguridad de Maquinaria y Niveles armonizados estándares asociados donde sean aplicables. Emisión de Ruidos conforme a la Directiva 2005/88/CE Anexo VI para máquinas bajo articulo 12 la mencionada unidad está **TÜV Rheinland Product Safety GmbH - Am Grauen Stein - D-51105 Köln, Germany.**

P

O signatário, **Uni-corp Europe**, pelo presente, declara que se o produto descrito neste certificado foi adquirido a um distribuidor autorizado do Paclite em qualquer país da EEA, está em conformidade com o estabelecido nas seguintes directivas comunitárias: 2006/42/CE, Directiva de Compatibilidade Electromagnética 2004/108/CEE (conforme corrigido pelas 92/31/EEC & 93/68 EEC). O numero de vibrações está de acordo com a directiva 2002/44/CE LB. A directiva de baixa voltagem 2006/95/CEE, BS EN ISO 12100-1/2 Segurança da maquinaria e às normas harmonizadas afins se aplicáveis. As emissões de ruído respeitam e estão dentro das directivas para máquinas 2005/88/CE Anexo VI, artigo 12, sendo o organismo notificado **TÜV Rheinland Product Safety GmbH - Am Grauen Stein - D-51105 Köln, Germany.**

PRODUCT TYPE.....	TYPE DE PRODUIT....	TIPO DE PRODUCTO..	TIPO DE PRODUCTO..
MODEL.....	MODELE.....	MODELO.....	MODELO.....
SERIAL No.....	Nº DE SERIE.....	Nº DE SERIE.....	Nº DE SÉRIE.....
DATE OF MANUFACTURE.....	DATE DE FABRICATION.....	FECHA DE FABRICACIÓN.....	DATA DE FABRIC.....
WEIGHT.....	POIDS.....	PESO.....	PESO.....



Signed by:

Signature:

Anita Tan

Quality Manager - On behalf of Uni-corp Europe

Directrice de Qualité - au nom de Uni-corp

Europe S.A.R.L.



Foreword

This manual has been written to help you operate the VR Roller Series safely. It is intended primarily for dealers and operators of Paclite Rollers. It is recommended that you keep this manual or a copy of it with the machine so that it is readily available for reference.

Before you operate or carry out any maintenance on this machine YOU MUST READ and UNDERSTAND this manual.

Should you have ANY QUESTIONS about the safe use or maintenance of this machine after reading this manual, ASK YOUR SUPERVISOR or CONTACT:

Uni-corp Europe on +33 (0) 1 4981 6955

Paclite reserves the right to change machine specification without prior notice or obligation.

Directions with regard notations

Text in this manual to which special attention must be paid are shown in the following way:



CAUTION

This CAUTION sign indicates a potential hazard, which if ignored, could result in injuries to the operator and/or those close by, as well as damaging the machine.



WARNING

This WARNING sign indicates a potential hazard, which if ignored could result in the DEATH of the operator and/or those close by.

Contents

Foreword	2
Safety Information	3-5
Environment	5
Machine Description.....	5
Pre-Start Checks.....	6
Start And Stop Procedure	6-7
Operation.....	8
Service and Maintenance.....	8-11
Transportation And Storage	11
Technical Data	12
Warranty.....	13

Safety Information

For your own personal protection and for the safety of those around you, please read and ensure you fully understand the following safety information. It is the responsibility of the operator to ensure that he/she fully understands how to operate this equipment safely. If you are unsure about the safe and correct use of the Roller, consult your supervisor or Paclite Equipment.



CAUTION

Improper maintenance can be hazardous. Read and understand this section before you perform any maintenance, service or repairs.

General Safety

- The owner of this machine must observe, and also train the user of the machine to observe, the effective labour protection laws in the country of application.
- Use suitable lifting equipment to lift the machine.
- This machine is to be used for its intended application only.
- This machine must only be operated by well-trained personnel.
- Personal Protective Equipment (PPE) must be worn by the operator whenever the equipment is being used.
- The machine must be operated on ground where stability is guaranteed. When working near the rim of excavated trenches, keep a sensible distance from the edge so that there is no danger of the machine falling down or the trench collapsing.
- Cordon off the work area and keep members of the public and unauthorised personnel at a safe distance.
- Make sure you know how to safely switch this machine OFF before you switch it ON in case you run into any difficulties.
- Always switch OFF the engine before servicing it.
- During use, the engine becomes very hot. Always allow the engine to cool down before touching it.
- Never leave the engine running and unattended.
- Never remove or tamper with any fitted guards; they are there for your own protection. If they are damaged or missing, DO NOT USE THE MACHINE until the guard has been replaced or repaired.
- Always switch OFF the engine before transporting it, moving it around site or servicing it.
- Do not operate the machine when you are ill, feeling tired or when under the influence of alcohol or drugs.
- If the surface to be compacted is on a slope, take great care when controlling the roller's direction of travel. Always work up and down a slope; not across.
- This machine is designed to eliminate the possible risks arising from the use of it. However, risks DO reside, and these residual risks are not clearly recognisable and may cause personal injury or property damage, and possibly death. If such unpredictable and unrecognisable risks become apparent, the machine must be stopped immediately, and operator or his supervisor must take



appropriate measure to eliminate such risks. It is sometimes necessary that the manufacturer must be informed of such event for future counter measuring.

Fuel Safety



WARNING

Fuel is flammable. It may cause injury and property damage. Shut down the engine, extinguish all open flames and do not smoke while filling the fuel tank. Always wipe up any spilled fuel.

- Before re-fuelling, switch off the engine and allow it to cool.
- When re-fuelling, use a proper funnel, and avoid spilling over the engine.
- When re-fuelling, DO NOT smoke or allow naked flames in the area.
- Spilt fuel must be made safe immediately by using sand. If fuel is spilt on your clothes, change them.
- Store fuel in an approved, purpose made container away from heat and sources of ignition.

Health & Safety

Vibration

Some vibration from the compacting operation is transmitted through the handle to the operator's hands. Ensure operator rotation and do not exceed the maximum recommended usage times.

Dust

The compaction process can produce dust, which may be hazardous to your health. Always wear a mask that is suited to the type of dust being produced.

Fuel

Do not ingest fuel or inhale fuel vapors and avoid contact with your skin. Wash fuel splashes immediately. If you get fuel in your eyes, irrigate with copious amounts of water and seek medical attention as soon as possible.

Exhaust Fumes



WARNING

The exhaust fumes produced by this machine are highly toxic and can kill!

Do not operate the VR Roller indoors or in confined spaces. Make sure the work area is adequately ventilated.

PPE (Personal Protective Equipment)

Suitable PPE must be worn when using this equipment i.e. safety goggles, gloves, ear defenders, dust mask and steel toe-capped footwear (with anti-slip soles for added protection). Wear clothing suitable for the work you are doing. Always protect skin from contact with concrete.

Environment

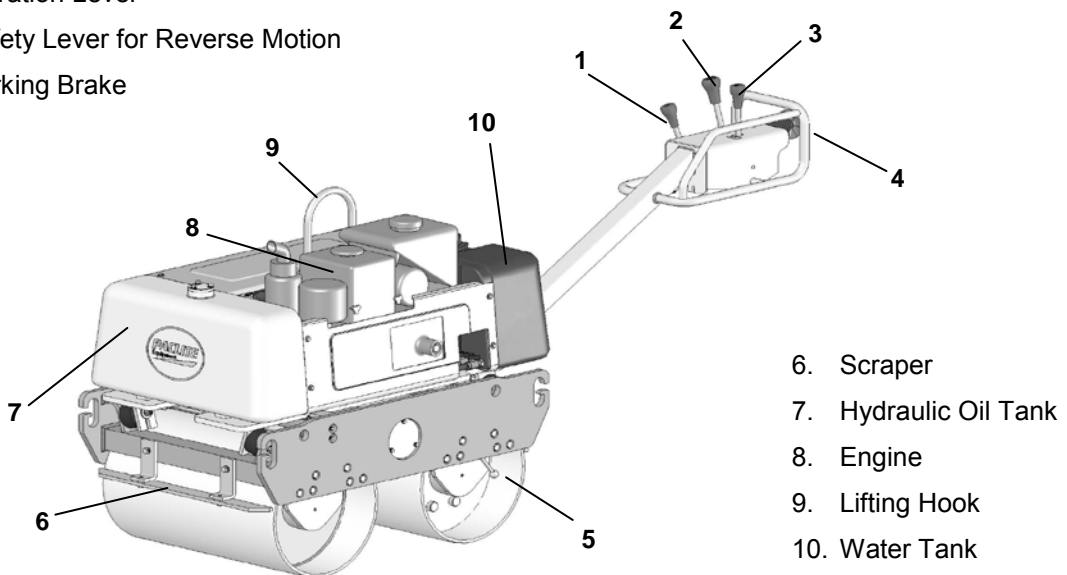
In order to protect the environment please recycle any discarded apparatus or accessories. The table beside provides you with a list of the machine's components and their respective materials. Take the discarded apparatus to the relevant recycling facilities.



Component	Material
Operator Handle	Steel
Main Frame	Steel
Hydraulic Oil Tank	Steel
Water Tank	Poly-Ethylene
Cover	Poly-Ethylene
Hydraulic Pump	Steel and Aluminium
Hydraulic Motor	Steel
Engine	Steel and Aluminium
Various Part	Steel, Aluminium & Rubber

Machine Description

1. Throttle Lever
2. Forward/Reverse Lever
3. Vibration Lever
4. Safety Lever for Reverse Motion
5. Parking Brake



6. Scraper
7. Hydraulic Oil Tank
8. Engine
9. Lifting Hook
10. Water Tank



Pre-Start Checks

Inspection prior to start-up

The following inspection must be performed before the start of each work session or after every four hours of use, whichever is first. Please consult the service section for detailed guidance. If any fault is discovered, the 'VR-Roller' must not be used until the fault is rectified.

1. Thoroughly inspect the machine for signs of damage.
2. Check hoses, filler openings, drain plugs and any other areas for signs and leakage. Fix any leaks before operating.
3. Check the engine oil level and top up if required. When checking the oil make sure the machine is on a level surface. To check the oil level, remove the oil guage and observe the oil level; it should be up to the rim of the filler port. Ensure proper engine oil with the correct viscosity is used (SAE 10W-30 is recommended).
4. Check the engine fuel level and top up if required. Use clean fuel! The use of contaminated fuel may damage the fuel system.
5. Check the air filter is clean. Excessive dirt/dust accumulation within the filter element will cause erratic engine operation. Clean the air filter element if it is contaminated (refer to the 'Service and Maintenance' section).
6. Check the Operator's Controls are in good working order. Ensure that the Drive Lever, the Vibration Lever, the Throttle Lever, the Parking Lever, and the safety device for the reverse motion all move smoothly.

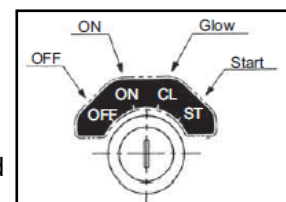
Start and Stop Procedure



DO NOT let go of the Starting Handle during the starting procedures. Ensure you keep a firm hold.

Before starting the engine, make sure the Drive Lever is in the Neutral position, the Vibration Lever is in the OFF position and the Parking Lever is in the ON position.

1. Open the fuel tap at the engine.
2. Move the Throttle Lever at the Operation Handle to START position.
3. **Start the Engine – Electric Start**
 - 3a. Turn the Key Switch at the Throttle Lever to ST (Start) position, and hold it until the engine starts.
 - 3b. When the ambient temperature is low, move the key to GL (Glow) position and hold it for approximately 10 seconds. Then move the Key to ST (Start) position and hold it until the engine starts.



3c. After the engine has been started, make sure that the key is set to ON position during the operation. (Setting the Key Switch to OFF position would not allow the generator to charge the battery.)

4. Start the Engine – Manual Start

4a. Insert the Starting Handle to the starting bracket provided at the engine.

4b. While pulling the Decompression Lever with your left hand, rotate the Starting Handle slowly until you hear the sound of fuel being injected.

4c. Release the Decompression Lever, and turn the Starting Handle with more force to start the engine.

5. Move the Throttle Lever to LOW position, and let the engine run at idle for a few minutes to warm up.

6. After the engine has warmed up, the machine is ready for operation.

7. Move the throttle lever to the high speed “H” position quickly to prevent damage from occurring to the clutch. The “Full Throttle” position of this machine has been preset at the factory to achieve optimum machine performance. DO NOT alter this setting since premature wear or tear can result, and both engine and machine warranty will be automatically voided.

8. Move the Parking Brake Lever to the right to disengage it.



NOTE: Negligence to disengage the Parking Brake before attempting to drive the machine forward or reverse will result in the severe damage to the parking brake mechanism as well as the drive system.

9. Operators Control

9a. Throttle Lever

Always keep the Throttle Lever at High position during the operation. Do not attempt to alter the travel speed by changing the engine revolution.

9b. Drive Lever

Move the Drive Lever forward to drive the machine forward. For reverse motion, move the lever backward.

9c. Vibration Lever

By shifting the Vibration Lever to the ON position, the vibration mechanism will be engaged and produce the vibration.



10. Stopping the Engine

11. In preparation for stopping the engine, move the throttle lever to LOW position.

12. Allow the engine to idle for 1-3 minutes.

13. Move the Throttle Lever to STOP position to stop the engine. Then, set the Key Switch to “OFF” position. The buzzer will sound when the Key Switch is set to ON while the engine is stopped.

14. Close the Fuel tap

15. Apply parking brake by swinging the Parking Brake Lever to the left.



Operation

Having carried out the checks listed in the 'pre start' section, you may start the engine.

- The Paclite VR-Rollers are fitted with a centrifugal clutch; this allows the engine to run at idle without driving the Hydraulic Pump.
- As the engine speed is increased the clutch will engage and the engine will drive the Hydraulic Pump to send the hydraulic power to drive the drums, and to drive the vibration mechanism as well. To avoid any damage to the centrifugal clutch, move the throttle lever quickly from L to H position. For correct operation, the engine speed should be set to maximum during the compaction operation.
- Avoid operating the machine on a fully compacted, hard, or non-yielding surface. Otherwise, the bearings and other mechanical components will be damaged, and the life of the machine will be greatly reduced.
- When working on a steep slope, take extra care in operating the machine so that the machine may tip over or fall down. Always work up or down the slope. Do not work across the slope.
- When the machine is going reverse, make sure not to stand behind the Operation Handle. Always walk along the Operation Handle and face toward the direction of travel.

Lifting

Where it is necessary to use lifting equipment to position the VR-Roller, make sure the lifting equipment has a WLL (Working Load Limit) suitable for the machine's weight (see Technical Data or the machine number plate). Attach suitable chains or slings ONLY to the lifting point provided at the center of the machine (One-Point Hook) or at each corner of the machine (Lifting Eyes).

Service and Maintenance

Maintenance

The Paclite VR Rollers are designed to give many years of trouble free operation. It is, however, important that the simple regular maintenance listed in this section is carried out. It is recommended that an approved Paclite dealer carry out all major maintenance and repairs. Always use genuine Paclite replacement parts, the use of spurious parts may void your warranty.

Before any maintenance is carried out on the machine, switch off the engine and disconnect the HT lead from the spark plug. Always set the machine on level ground to ensure any fluid levels will be correctly read. Only use recommended oils. Make sure that the Operation Handle is securely locked during the maintenance and/or repairs.

Servicing the Engine

Service the engine according to the engine manufacturer's specifications. Refer to the engine operation and maintenance manual.

Note: When the Maintenance Cover has been removed, ensure that all bolts are securely fastened when re-fitting.

Maintenance: Every 8 hours or daily

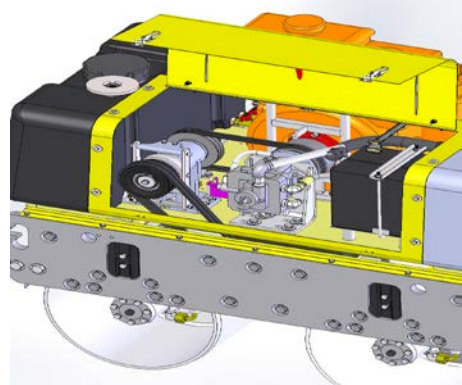
1. Check for loose bolts and nuts, retighten if necessary.
2. Check and clean the air filter element, re-lube the element in accordance with the engine manufacturer's recommendations. If operating conditions are unusually dusty and severe, filter element cleaning should be done more frequently.

Maintenance: Every 50 hours or weekly

1. New machine initial change of Hydraulic Oil and Oil Filter Element after 50 hours of operation. After that every 500 hours of operation. Please refer to the 'Maintenance: Every 500 hours' for oil changing method details.

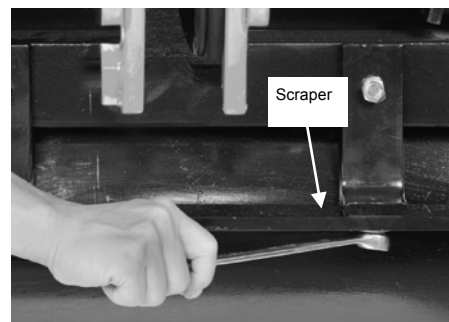
2. Check the tension of the Drive Belt

- Loosen the four bolts, which fix the Pump Bracket and turn the Adjust Bolt until the proper tension is achieved. The belt should deflect by 5mm at the center between the Centrifugal Clutch and the Pump Valley.
- Retighten the four bolts at the Pump Bracket once you set the proper tension.
- If the V-belt is worn out or cracked, replace it before continuing work.



3. Adjust the Clearance of the Scraper

- Remove the Scraper and wipe off all the dirt, mud and asphalt.
- Refit the Scraper to the Scraper Bracket and fix it with suitable clearance from the drum.



4. Water Tank

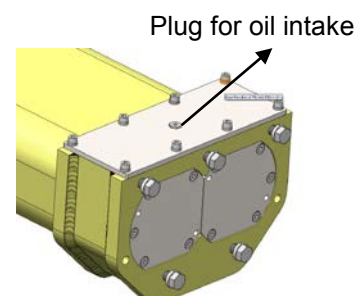
Drain all the water and clean the inside of the tank.

5. Moving Parts

Feed grease to the Rod End of the Drive/Vibration cable.

6. Check the Vibrator oil level

Check vibrator casing for any oil leakage





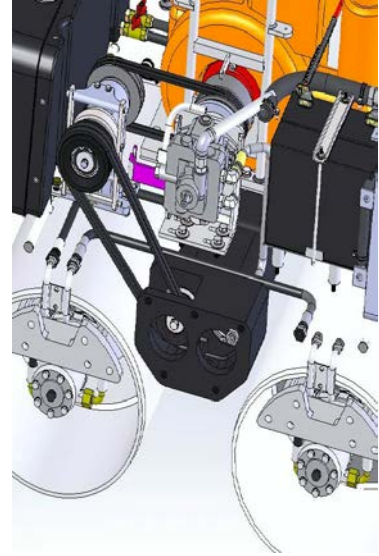
Maintenance: Every 100 hours

1. Vibration Clutch Mechanism

- Check to confirm that the Vibration Clutch Mechanism works properly.
- Feed grease into the moving part.
- Check the condition of the V-Belt. When it is worn out or cracked, replace it.

2. Drive Lever

- Adjust the operation force of the Drive Lever from 2 to 3 Kgf by turning the Adjust Nut.
- Feed grease into the moving part.



Maintenance: Every 500 hours

For new machines the initial change of Hydraulic Oil the Oil Filter Elements should come after 50 hours of operation. Thereafter, change every 500 hours of operation. The user can shorten or prolong (no more than 800 hours) the changing time according to the environment and the quality of the hydraulic oil.

- Use Genuine Filter Element
- Replace the Hydraulic Oil Flush off the tank before supplying the new Hydraulic Oil. To vent the air in the hydraulic system, leave the Tank Cover open and run the engine at its maximum speed without operating the Drive Lever and Vibration Lever for 10 minutes. Then refit the Tank Cover.

ADJUSTING THE NEUTRAL SETTING OF DRIVE LEVER

The neutral position of the Drive Lever may be shifted due to the vibration or wear of the drive cables. To adjust the Neutral Setting, follow the instructions below:

1. Place the machine on a level surface.
2. Make sure that the engine is turned off.
3. Remove the nut which fixes the Rod End of the Drive Cable to the Drive Lever.



CAUTION

Do not attempt to start the engine without this nut in position. The roller may move suddenly or irrationally without the capability of being controlled with the Drive Lever, which may cause severe injury or property damage.

4. Loosen the Lock Nut at the Rod End.
5. Turn the Rod End either clockwise or counter-clockwise depending on the direction of shifted neutral position.
6. Refit the Rod End to the Drive Wire and secure it with the nut.
7. Start the engine and increase the engine revolution to maximum. Check to see if the neutral position has been adjusted.

8. If not, stop the engine, remove the nut and repeat procedures 5 to 7 until the neutral position is properly set.
9. When the neutral position is correctly adjusted, apply Loctite to the Nut, which fix the Rod End, and tighten it. Then, tighten the Lock Nut at the rod end.

VR Roller Oil Specification

Hydraulic oil Shell Tellus T37 or (MOBIL DTE15 or ESSO Unipower, XL46).

Engine

Use oil which is equivalent to or better than API Service categories CF, CD, or CE Grade oil. Use the oil suitable for the ambient temperature as in the table below.

Season	Temperature	Grade
Summer	Above 20°C	SAE 30
Spring and Autumn/Fall	From 5°C to 20°C	SAE 20
Winter	Below 5°C	SAE 10 or SAE 10W-30

Transportation and Storage

Transportation on a vehicle

Make sure to lock the Handle and use proper slopes of sufficient width, length, and strength on loading to and unloading from the vehicle.

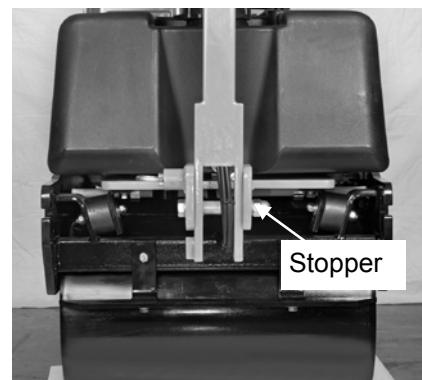


The Operation Handle may move suddenly and irrationally during the loading and unloading. Stand a safe distance away from the Operation Handle to avoid sustaining any injury.

Apply the Parking Brake and tie the machine firmly to the vehicle during transportation.

Storage

- For long-term storage, empty the fuel from the Fuel Tank by either sucking the remaining fuel out from the Fuel Inlet Port or from the Fuel Filter after the filter cup has been removed.
- Clean the Air Cleaner Element.
- Clean-up the oil and dust accumulation on all rubber parts.
- Clean the base plate and apply a light coating of oil to prevent rust formation.
- Cover the machine and store it in a dry place.





- The Operation Handle can be stood up for storage. Pull the Stopper, and raise the handle. Make sure that the Stopper securely holds the Operation Handle.

Technical Data

Model	VR9000HD	VR9000H-1B40
DIMENSION (LxWxH) - mm (in)	2465(97)X754(29.6)X1163(45.8)	2465(97)X754(29.6)X1163(45.8)
OPERATING WEIGHT - kg (lb)	830(1826)	830(1826)
DRUM SIZE (2R x W) - mm (in)	402(15.8)X700(27.5)	402(15.8)X700(27.5)
CENTRIFUGAL FORCE - kN	20	20
WORKING SPEED - km/h	0-3.6	0-3.6
GRADABILITY - °	25	25
VIBRATION FREQUENCY - Hz	60	55
WATER TANK CAPACITY - Ltr (gal)	47(12)	47(12)
HYDRAULIC OIL TANK CAPACITY- Ltr (gal)	30(8)	30(8)
ENGINE	Kubota Diesel EA330-E3-NB1-6.9	HATZ-1B40 (DIESEL)
ENGINE TYPE	4-Stroke diesel engine	4-Stroke diesel engine
RATED OUTPUT - hp / kw / rpm	6.9/5.15/2700	9.3/7.3/3000
STARTING SYSTEM	Electric Start	RECOIL & Electric Start

Warranty

Your new VR Paclite Roller is warranted to the original purchaser for a period of one-year (12 months) from the original date of purchase.

The Paclite Equipment warranty covers defects in design, materials and workmanship.

The following are not covered under the Paclite Equipment warranty:

1. Damage caused by abuse, misuse, dropping or other similar damage caused by or as a result of failure to follow assembly, operation or user maintenance instructions.
2. Alterations, additions or repairs carried out by persons other than Paclite Equipment or their recognised agents.
3. Transportation or shipment costs to and from Paclite Equipment or their recognised agents, for repair or assessment against a warranty claim, on any machine.
4. Materials and/or labour costs to renew, repair or replace components due to fair wear and tear.
5. The engine, air filter and the engine spark plug.

Paclite Equipment and/or their recognised agents, directors, employees or insurers will not be held liable for consequential or other damages, losses or expenses in connection with or by reason of or the inability to use the machine for any purpose.

Warranty Claims

All warranty claims should firstly be directed to Uni-corp Europe, either by telephone, by fax, by email, or in writing.

For warranty claims:

Uni-corp Europe S.A.R.L.,

Paclite Equipment, FGA

JI H

France

Tel : +33 (0) 1 4981 6955

Fax: +33 (0) 1 4898 4088

Email: sales@paclite-equip.com

Avant-propos

Ce manuel a été rédigé afin de vous aider à opérer en toute sécurité et effectuer la maintenance du Rouleau Compresseur Vibratoire à Conduite Manuelle, Paclite Brand. Ce manuel est prévu pour les revendeurs et opérateurs des modèles VR-5500 et VR-6500.

Avant de faire fonctionner ou d'effectuer de la maintenance sur cette machine, **VOUS DEVEZ LIRE** et **ETUDIER** ce manuel.

Pour TOUTES QUESTIONS EVENTUELLES sur l'utilisation ou l'entretien en toute sécurité de cet appareil, CONSULTEZ VOTRE RESPONSIBLE OU CONTACTEZ:

Uni-corp Europe +33 (0) 1 4981 6955



ATTENTION

Ce produit présente des risques. La machine ou vous-même peut subir des dommages si les procédures ne sont pas effectuées de la façon prévue.



AVERTISSEMENT

Il peut exister des risques pour la vie de l'opérateur.

Paclite Equipment s'autorise à changer les spécifications de la machine sans accord préalable.

Sommaire

Avant-propos	14
Consignes de Sécurité	15-17
Environnement	17
Description de la Machine	18
Vérification avant le Démarrage	18-19
Procédure de Marche / Arrêt	19-20
Fonctionnement.....	20-21
Entretien et Révision	21-23
Transport et Stockage	24
Données Techniques.....	25
Garantie.....	26

Consignes de Sécurité

Pour votre propre protection personnelle et pour la sécurité des personnes autour de vous, veuillez lire et assurer que vous comprenez totalement les informations suivantes sur la sécurité. C'est la responsabilité de l'opérateur d'assurer que IL ou ELLE comprend totalement comment faire marcher cet équipement dans les conditions de sécurité. Si vous n'êtes pas sûr de l'usage approprié et sécurisé de votre VR Roller, veuillez consulter votre superviseur ou Paclite Equipment.



ATTENTION

Une maintenance insuffisante peut s'avérer risquée. Veuillez lire afin de comprendre cette section avant d'effectuer toute maintenance, contrôle réparation.

- Le propriétaire de cet appareil doit respecter le règlement complet visant à la protection de la main-d'oeuvre dans le pays d'utilisation, et former l'utilisateur pour qu'il respecte ledit règlement.
- Ce matériel est lourd et ne doit pas être soulevé par une seule personne. OBTENEZ DE L'AIDE ou utilisez un équipement de levage approprié.
- Lors des interventions au bord de tranchées excavées, utiliser correctement l'appareil afin d'éviter impérativement qu'il ne tombe dans la tranchée.
- Balisez la zone de travail et éloignez les membres du public et tout le personnel non autorisé à une distance sûre.
- Il est impératif que l'opérateur porte un équipement de protection individuelle à chaque fois qu'il utilise cet appareil (voir "Santé et sécurité").
- Vérifiez que vous savez comment couper cet appareil avant de le mettre en marche, en cas de diffi cultés.
- Il faut toujours COUPER le moteur avant de le transporter, de le déplacer ou avant toute intervention.
- Le moteur peut devenir très chaud en cours d'usage. Attendez que le moteur soit refroidi avant de le toucher.
- Ne laissez jamais le moteur tourner sans surveillance.
- Il ne faut jamais retirer ni modifier les capots de protection installés. Ils sont prévus pour votre protection. Il faut toujours vérifier que les capots sont en bon état et sont bien fixés. Si l'un des capots est endommagé ou manquant, IL NE FAUT PAS UTILISER LA MACHINE tant que le capot n'est pas remis en place ou réparé.
- Il ne faut pas faire fonctionner la machine si vous ne vous sentez pas bien, si vous êtes fatigué ou si vous avez abusé d'alcool ou de stupéfiants.
- Cet appareil est conçu pour éliminer les risques éventuels liés à son utilisation. Il EXISTE toutefois certains risques, ces risques résiduels n'étant pas facilement reconnaissables et susceptibles de se solder par des détériorations du matériel, des blessures ou même la mort.



Si des risques imprévus ou non reconnaissables de ce genre se manifestent, il faut immédiatement arrêter l'appareil, et l'utilisateur ou le responsable doit prendre des mesures appropriées pour éliminer ces risques. Il peut s'avérer nécessaire de signaler ces événements au fabricant, afin qu'il puisse prendre des mesures appropriées à l'avenir.

Surêté du carburant



ATTENTION

Le carburant est inflammable. Il peut infliger des blessures et des dommages au bien d'autrui. Fermer le oteur, éteindre toute flamme ouverte et ne pas fumer pendant le remplissage du réservoir. Toujours essuyer le carburant qui a été déversé.

- Avant de remettre du carburant, éteignez le moteur et laissez-le refroidir.
- Pendant le remplissage du carburant, NE PAS fumer ou laisser des flammes nues dans le périmètre.
- Pendant le remplissage du carburant, utilisez un entonnoir adéquat, et évitez le déversement par-dessus le moteur.
- Le carburant déverse doit être rendu inoffensif avec du sable immédiatement. Si du carburant a été versé sur vos vêtements, changez-les.
- Stocker le carburant dans un récipient homologué à cette effet, et loin de toute source inflammable.

La Santé et la sécurité

Les Vibrations

Une partie des vibrations provenant de l'appareil en cours d'utilisation est transmise par l'intermédiaire du guidon aux mains de l'utilisateur. La gamme de pilonneuses à plaque vibrante TR de Paclite Equipment est spécifiquement conçue pour réduire les niveaux de vibrations transmis aux mains/bras.

La Poussière

Le processus de compactage peut produire de la poussière, ce qui peut présenter un risque pour votre santé. Portez toujours un masque adéquat pour le genre de poussière qui est produite.

Le Carburant

L'huile et le carburant utilisés dans la machine peuvent produire les risques suivants

- Empoisonnement si le carburant or l'huile est ingéré.
- Des allergies si le carburant se verse sur la peau.
- Du feu et de L'Explosion si le carburant est manipulé près de d'un feu ouvert ou qui fume.

N'ingerez pas et n'inspirez pas les vapeurs émies par le carburant. Lavez tout eclaboussure de carburant immédiatement. En cas de contact avec les yeux, lavez abondamment avec de l'eau et consultez votre médecin le plus tôt possible.

Les Fumées Émises



AVERTISSEMENT

Les fumées émises par cet équipement sont hautement toxiques et peuvent tuer.

Ne pas faire marcher la machine à l'intérieur or dans un lieu confiné, assurer que la zone de travail est suffisamment ventilée.

EPP (L'Équipement Personnel de Protection)

Les blessures individuelles ou les dommages aux biens peuvent être causés par des coups, de l'écrasement, du glissement, d'un chancellement, de la chute ou par des éclats volants, provoqués principalement par une manipulation négligeante de la machine, ou par le travail dans un lieu confiné. L'EPP approprié doit être porté lors de l'utilisation de cette appareil, c'est-à-dire Lunettes Protectrices, Gants, Protection Auditive, Masque Anti-poussière et des Chaussures renforcées devant avec de l'acier. Portez des vêtements qui conviennent au travail que vous faites. Nouez les cheveux long et enlevez tout bijou, qui peut se coincer dans les parties mobile de l'appareil.

Environnement

Destruction Sécurisé

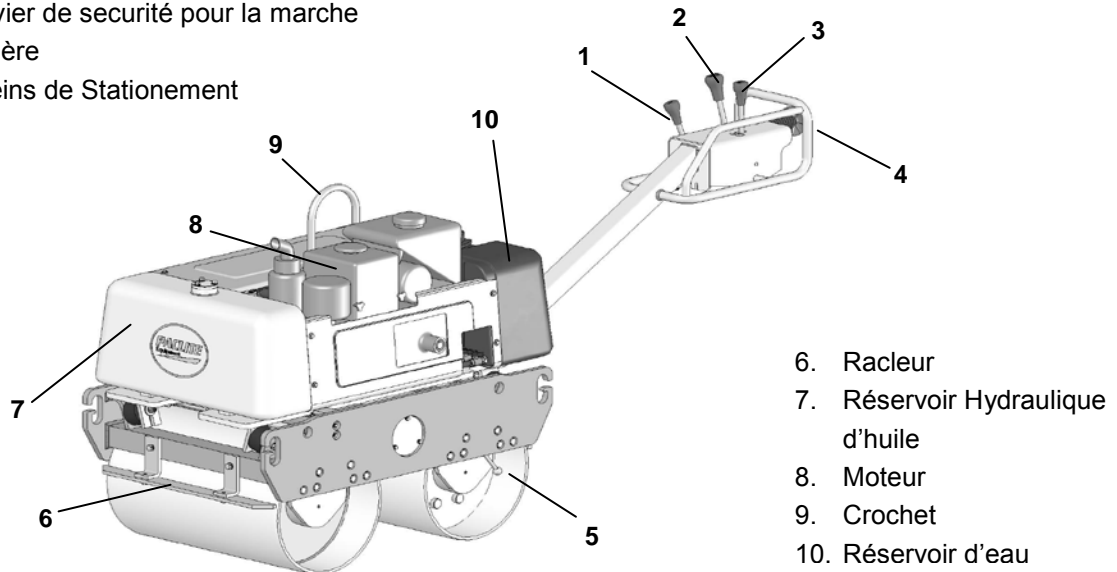
Les instructions pour la protection de l'environnement. La machine contient des matières de valeur. Portez l'appareil et les accessoires à jeter au services de recyclage appropriés.



Composante	Matières
Timon	Acier
Cariosserie Centrale	Acier
Réservoir d'huile hydraulique	Acier
Réservoir d'eau	Polyéthylène
Couvercle	Polyéthylène
Pomp Hydraulique	Acier et aluminim
Moteur Hydraulique	Acier
Moteur	Acier et aluminium
Divers Parties	Acier, aluminium & Caoutchouc

Description de la machine

1. Levier de soupape
2. Levier de marche avant/arrière
3. Levier de Vibration
4. Levier de sécurité pour la marche arrière
5. Freins de Stationnement



6. Racleur
7. Réservoir Hydraulique d'huile
8. Moteur
9. Crochet
10. Réservoir d'eau

Vérification avant le démarrage

Inspections Pré-démarrage

Les inspections pré-démarrage doivent s'effectuer avant le démarrage de chaque session de travail ou après tous les quatre heures d'usage, selon ce qui arrive en premier. Veuillez consulter la section des contrôles pour des instructions détaillées. Si un défaut est constaté, la machine ne doit pas servir avant la réctification du défaut.

1. Inspectez complètement la machine pour des signes de détériorations
2. Vérifiez les tuyaux, des ouvertures de remplissage, égouttez les prises et toute autre point pour des signes de fuite. Réparez les fuites avant de commencer
3. Vérifiez le niveau d'huile et remplissez à niveau si nécessaire.
 - 3a. Placez la machine sur une surface plate, et vérifiez le niveau d'huile du moteur.
 - 3b. Enlevez le dispositif de emplissage d'huile, et constatez si l'huile arrive jusqu'au bord de l'ouverture de la remplisseuse. Utilisez de l'huile de moteur adéquat avec la bonne visosité. (SAE10W-30 conseille)
4. Vérifiez le niveau de carburant du moteur et en rajoutez si nécessaire. Utilisez du carburant propre. L'utilisation de carburant contaminé peut endommager le réseau pour le carburant

5. Vérifiez que le filtre d'air est propre. L'accumulation excessive de terre/poussière dans l'élément de filtrage provoquera un fonctionnement erratique du moteur. Nettoyez l'élément de filtrage quand il est contaminé. (Voir section sur la maintenance.)
6. Vérifiez les fonctions des Commandes de L'Opérateur. Assurez-vous que le Levier de Conduite, Levier de Vibrations, Levier de la Soupape, le Levier de Stationnement et le Dispositif de Sécurité pour la marche arrière sont actionnés sans accros.

Procédure de Marche / Arrêt

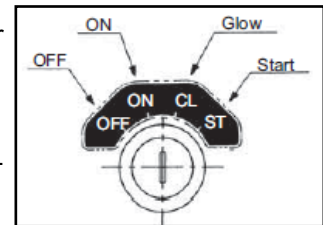


ATTENTION

NE PAS ENLEVER vos mains de la Manche de Démarrage pendant les procédures de démarrage.

Avant d'allumer le moteur, assurez-vous que le Levier de Conduite est sur la position "Neutre", le Levier de Vibration est sur "Arrêt" et le Levier de Stationnement est sur "Marche".

1. Ouvrez le robinet de carburant du moteur.
2. Mettez le Levier de Soupape à la position "Manipulations pour Démarrer" l'opération.
3. **Allumer le Moteur-Allumage Electrique**



- 3a. Placez l'interrupteur Clé du Levier de Soupape sur la position ST (Start), et maintenez-le jusqu'au démarrage du moteur.
- 3b. Lorsque la température ambiante est basse, placez la clé sur la position GL (GLOW), et maintenez la pour à peu près 10 secondes, puis mettez la Clé sur la position to ST (Start) et maintenez la jusqu'au démarrage du moteur.
- 3c. Après le démarrage du moteur, assurez-vous que la Clé est placée sur la position de MARCHE pendant l'opération (Si l'Interrupteur Clé est placé sur "ARRET", cela ne permettrait pas le générateur de charger la batterie).
4. **Démarrer le Moteur – Démarrage Manuel**
 - 4a. Insérer la Manche de Démarrage dans le sillon prévu sur le moteur.
 - 4b. Pendant que vous tirez le Levier de Décompression, avec votre main gauche, faire une lente rotation avec la Manche de Démarrage jusqu'au moment où vous entendez l'injection de carburant Relachez le Levier de Décompression et tourner la Manche de Démarrage avec plus de force pour démarrer le moteur.
5. Mettre le Levier de Soupape dans la position LOW, et laisser tourner le moteur pendant quelques minutes pour se chauffer.
6. Une fois le moteur chauffé la machine est prête pour une opération.
7. Déplacer le Levier de Stationnement vers la droite pour le désengager. Mettre rapidement le levier de soupape à la position haute vitesse "H" afin d'éviter que l'embrayage ne soit pas

endommagé. La position "Soupape Pleine" de la machine a été pré-réglée à l'usine afin d'avoir une performance optimum de la machine. NE PAS altérer ce réglage puisque cela peut provoquer l'usure prématurée, ce qui annule automatiquement la garantie de la machine ainsi que du moteur.

8. Déplacer le Levier de Stationnement vers la droite pour le désengager.

NOTICE: Négliger de désengager le Frein de Stationnement avant une tentative de conduire la machine en avant ou en marche arrière, occasionnera de sérieux dommages au mécanisme du frein de stationnement ainsi qu'au mécanisme de conduite.



9. Les commandes de l'opérateur

9a. Levier de Soupape

Gardez toujours le Levier de Soupape dans la position "Haute" pendant une opération. Ne tentez pas d'altérer la vitesse de déplacement en changeant le nombre de tours du moteur.

9b. Levier de Conduite

Déplacez le Levier de Conduite en avant pour avancer. Pour la marche arrière, poussez le levier en arrière.

9c. Levier vibration

En plaçant le Levier de Vibration à la position MARCHE, le mécanisme de vibration sera engagé et va produire de vibrations.

10. L'ARRÊT

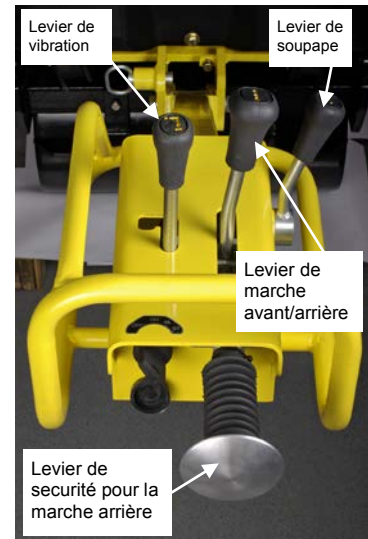
11. En préparation à l'arrêt du moteur, mettre le Levier de Soupape à la position "BAS"

12. Laisser le moteur tourner pendant 1 à 3 minutes.

13. Mettre le Levier de Soupape dans la position d'ARRÊT pour arrêter le moteur. Puis, régler l'Interrupteur Clé sur ARRÊT la sirène se déclenchera quand l'Interrupteur Clé est mis sur MARCHE, alors que le moteur est arrêté.

14. Fermer le robinet du carburant

15. Activer le frein de stationnement en balançant le Frein de Stationnement vers la gauche.



Fonctionnement

Ayant effectué les vérifications listées dans la section "pré-démarrage, vous pouvez allumer le moteur.

- Les Rouleaux à Conduite Manuelle des Séries-VR, du Paclite sont équipés d'un embrayage centrifuge; cela permet de laisser tourner le moteur sans conduire la Pompe hydraulique. A mesure que la vitesse du moteur augmente l'embrayage s'engage et le moteur pousse la Pompe Hydraulique à envoyer la puissance hydraulique pour bouger les tambours ainsi que le



mécanisme de vibration. Afin d'éviter toute dommage à l'embrayage centrifuge, déplacez rapidement le levier de soupape de la position L à la H. Pour une opération bien menée, la vitesse du moteur doit être réglée au maximum pendant l'opération de compactage.

- Evitez d'utiliser la machine sur une surface dure, totalement compactée ou sans rendement.
- Lorsque vous travaillez sur une pente raide, faites particulièrement attention pour faire marcher la machine afin d'éviter qu'elle ne s'écroule ou tombe. Travaillez toujours en amont et en aval de la pente. Ne travaillez pas à travers la pente.
- Lorsque la machine est en marche arrière, assurez-vous de ne pas vous tenir debout derrière la Manche de Fonctionnement. Marchez toujours le long de la Manche de Fonction, face tournée dans le sens de la marche.

Le Soulèvement

Dans le cas où il est nécessaire d'utiliser un équipement pour positionner le VR, assurez-vous que l'équipement de soulèvement est doté d'une LCT (Limite pour le Chargement de Travail) qui correspond au poids de la machine. Attachez des chaînes ou cordages adéquates **UNIQUEMENT** au point de soulèvement prévu au centre de la machine (Crochet à point-unique) ou sur chaque coins de la machine (Points de Soulèvement).

Entretien et Révision

Maintenance

Les Rouleaux Compresseur à Conduite Manuelle Paclite, Series-VR sont conçus pour vous donner de nombreuses années d'utilisation sans ennuis. Il est cependant important que la maintenance simple et régulière expliquée dans cette section soit effectuée. On vous conseille de faire faire la maintenance et toute réparation par un concessionnaire approuvé par Paclite. Utilisez toujours les vraies pièces de rechange de Paclite. L'utilisation de fausses pièces pourrait annuler votre garantie.

Avant que toute maintenance soit effectuée, éteignez la machine, éteignez le moteur et déconnectez le fil HT de la prise d'allumage.

Posez toujours la machine au niveau du sol pour assurer que tous les niveaux de liquide soient correctement lus. Utilisez uniquement les huiles conseillées.

Vérifiez que le timon est replié de façon sûre pendant la maintenance et/ou les réparation.

Contrôle du Moteur

Faites le contrôle du moteur selon les spécifications du fabricant. Référez-vous au manuel d'opération du moteur et de la maintenance.

NOTE: Quand la protection de maintenance a été déplacée, assurez-vous que tous les boulons soient correctement serrés au moment de la remettre.

Maintenance: Toutes les 8 heures ou quotidiennement

1. Recherchez des verrous et des écrous déserrés et reserrez-les.
2. Vérifiez et nettoyez l'élément de filtre d'air, relubrifiez-le conformément aux recommandations du fabricant du moteur. Si les conditions de fonctionnement sont inhabituellement poussiéreuses et sévères, le nettoyage de l'élément de filtre doit s'effectuer plus fréquemment.

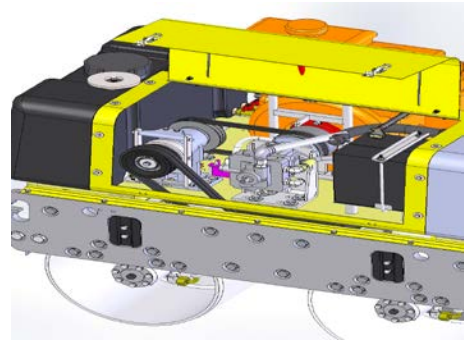
La Maintenance toutes les 50 heures ou hebdomadaire

1. Vérifier la tension de la courroie

- 1a. Désérrez les verrous, qui fixent le sillon de la pompe, et tournez le Verrou:

Ajuster jusqu'au moment où la tension adéquate est atteinte. La courroie devrait dévier de 5mm au centre entre l'Embrayage Centrifuge et la poulie de la Pompe.

- 1b. Reserrez les quatre écrous au niveau du Sillon de la Pompe Quand la courroie est usée, fissurée, renouvelez la courroie.



2. Ajuster le dégagement du Racleur

- 2a. Enlevez le Racleur, et essuyez toute la terre, boue et le goudron.
- 2b. Ré-ajustez le Racleur au Sillon du Râcleur, et fixez-le avec suffisamment de dégagement du tambour.

3. Réservoir d'eau

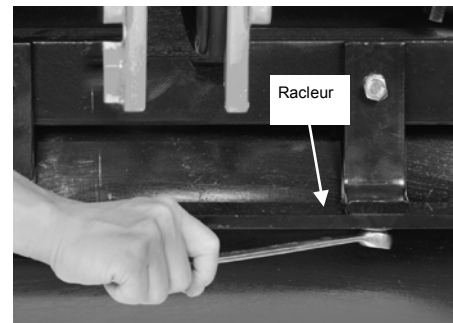
- 3a. Vidangez toute l'eau et nettoyez l'intérieur du réservoir

4. L'Ajustage de L'Arroseur

- 4a. Enlevez le capuchon de l'ajustage, et nettoyez l'intérieur de l'ajustage de L'Arroseur.

5. Le pièces qui bougent.

- 5a. Appliquez de la graisse au bout de la tige du Cable de Conduite/Vibration.



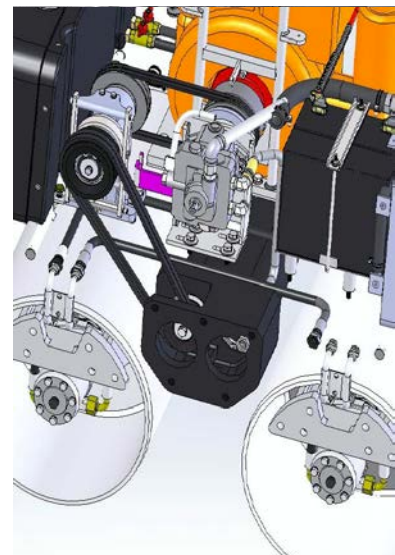
Maintenance: Tous les 100 heures

1. Mechanisme de L'Embrayage de Vibration.

- 1a. Vérifiez pour confirmez que le Mechanisme de L'Embrayage de Vibration marche correctement.
- 1b. Appliquez de la graisse dans les parties qui bougent.
- 1c. Vérifiez l'état de la Courroie-V. Lorsqu'elle est usée ou fissurée, renouvelez la.

2. Levier de conduite.

- 2a. Changer la puissance de marche du Levier de Conduite de 2 à 3Kgf en tournant l'ecrou de réglage.





Maintenance: Tous les 500 heures

1. Remplacez l'Élément de Filtrage Hydraulique d'Huile à chaque 500 heures d'opération. Utiliser du vrai Élément de Filtrage.

Maintenance: Tous les 800 heures

1. Changez L'Huile Hydraulique Rincez le réservoir avant d'y verser la nouvelle Huile Hydraulique. Pour expulser l'air du système hydraulique laissez le Couvercle du Réservoir ouvert, et laissez tourner le moteur à sa vitesse maximum sans actionner le Levier de Conduite et le Levier de Vibration pendant 10 minutes. Ensuite, remettez le Couvercle de Réservoir en place.

RÉGLAGE DU MONTAGE NEUTRE DU LEVIER DE CONDUITE

La position neutre du Levier de Conduite peut se modifier grâce à la vibration ou l'usage des cable de conduite. Pour ajuster les Réglages Neutres, suivez les unstructions ci-dessus ;

1. Placez la machine sur une surface plate.
2. Assurez-vous que le moteur est éteinte.
3. Enlevez L'Ecrou qui fixe le Bout de la Tige du Cable de Conduite au Levier de Conduite.



AVERTISSEMENT

Ne tentez pas de démarrer le moteur quand cet écrou n'est pas à sa place. La machine peut bouger d'une manière irrationnelle sans que l'on puisse la contrôler avec le Levier de Conduite, ce qui peut causer des blessures ou des dommages aux biens.

4. Desserrez L'Ecrou de Fermeture (de Serrure) au Bout de la Tige.
5. Tourner le Bout de Tige soit dans le sens des aiguilles d'une montre ou dans le sens opposé selon la direction de changement de la position neutre.
6. Refixez le Bout de la Tige au Fil de Conduite et sécurisez-le avec un écrou.
7. Démarrez le moteur et augmenter les tours du moteur au maximum. Constatez si la position neutre a été correctement ajustée.
8. Au cas ou c'est NON, arrêtez le moteur, et répétez les étapes 5 a 7 jusqu'au moment ou la postion neutre est bien réglée.
9. Une fois que la position neutre a été correctement réglée, appliquez de la "Loctite" sur l'écrou, ce qui fixe le Bout de Tige, et serrez-le. Ensuite reserrez L'Ecrou de Ferméture.

Specificites Huile VR-Roller

Huile hydraulique Shell Tellus T37 ou (MOBIL DTE15 ou ESSO Unipower, XL46).

Moteur

Utilisez l'huile equivalente, ou plus performante que l' API, categories de grades d'huile CF, CD, ou CE. Utilisez l'huile qui convient aux temperatures ambiantes comme le tableau ci dessous l'indique.

Saison	Temperature	Grade
Ete	Au dessus de 20°C	SAE 30
Printemps et automne	Entre 5°C de 20°C	SAE 20
Hiver	En dessous de 5°C	SAE 10 or SAE 10W-30

Transport et Stockage

Transport sur un véhicule

Assurez-vous de la fermeture du timon et utilisez de bons dénivelés suffisants en longueur, largeur et force pour le chargement et déchargement du véhicule.



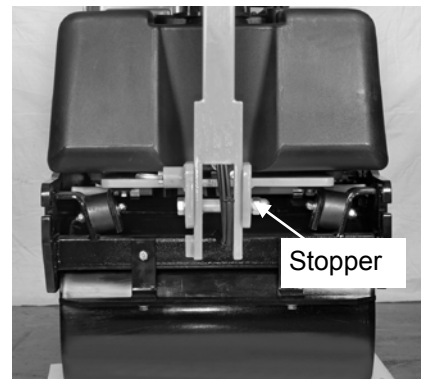
ATTENTION

NE PAS ENLEVER vos mains de la Manche de Démarrage pendant les procédures de Démarrage

Appliquez le Levier de stationnement, et attachez fermement le véhicule pendant le transport.

Stockage

1. Pour les longues périodes de stockage, vider le réservoir d'essence en aspirant le reste d'essence par l'orifice de remplissage ou par le tuyau d'alimentation après avoir enlevé le filtre à essence.
2. Nettoyer le filtre à air.
3. Nettoyer l'huile et la poussière sur toutes les pièces en caoutchouc.
4. Nettoyer la plaque d'embase et appliquer de l'huile pour éviter la formation de rouille.
5. Couvrir la machine et la stocker un endroit sec.
6. Le timon peut être relevé pour le stockage. Déverrouiller le timon pour pouvoir le relever. Vérifier que le timon soit verrouillé en position haute.





Données Techniques

Model	VR9000HD	VR9000H-1B40
Dimensions (LxWxH) - mm	2465(97)X754(29.6)X1163(45.8)	2465(97)X754(29.6)X1163(45.8)
Poids - kg	830(1826)	830(1826)
Tambour (2R x W) - mm	402(15.8)X700(27.5)	402(15.8)X700(27.5)
Force centrifuge - kN	20	20
Vitesse marche - km/h	0-3.6	0-3.6
Gradeability - °	25	25
Fréquence de Vibration - Hz (vpm)	60	55
Capacité du Réservoir - Ltr	47(12)	47(12)
Capacité du Réservoir Hydraulique d'huile - Ltr	30(8)	30(8)
Moteur	Kubota Diesel EA330-E3-NB1-6.9	HATZ -1B40 (DIESEL)
Type de Moteur	4-Stroke diesel engine	4-Stroke diesel engine
Taux de rendement - hp / kw / rpm	6.9/5.15/2700	9.3/7.3/3000
Démarrage	Electric Start	RECOIL & Electric Start

Garantie

Le Rouleau VR de Paclite est garantie à l'acquéreur d'origine un an (12 mois) à partir de la date originale de l'achat. La garantie Paclite Equipment s'applique à tous défauts de matériaux ou à un vice de conception ou de fabrication.

La garantie Paclite Equipment ne couvre pas ce qui suit:

1. Dégâts causés par un usage abusif, négligent, une chute ou tous autres dégâts similaires causés par le non-respect des instructions concernant l'assemblage, l'utilisation ou les opérations d'entretien à effectuer par l'utilisateur, ou résultant de celle-ci.
2. Toutes modifications, additions ou réparations effectuées par des personnes autres que les responsables de Paclite Equipment ou ses agents agréés.
3. Les frais de transport ou d'expédition pour retourner l'appareil à Paclite Equipment, ou ses agents agréés, et le renvoyer, en vue de le faire réparer ou évaluer après revendication sous garantie.
4. Les coûts des matériaux et/ou de la main-d'oeuvre requis pour remplacer, réparer ou renouveler les composants en raison d'une usure raisonnable.
5. Courroie(s) d'entraînement, filtre à air de moteur et bougie de moteur.

Paclite Equipment et/ou ses agents agréés, directeurs, employés ou assureurs ne sont pas tenus responsables de tous dégâts consécutifs ou autres, pertes ou dépenses encourus en relation avec l'utilisation de l'appareil, ou l'incapacité d'utiliser l'appareil dans un but quel qu'il soit.

Réclamations sous garantie

Il faut tout d'abord adresser toutes réclamations sous garantie à Uni-corp Europe par téléphone, fax, e-mail ou par courrier.

Pour les revendications sous garantie:

Uni-corp Europe S.A.R.L.,
Paclite Equipment, 12, Avenue des Coquelicots
94385 Bonneuil-sur-Marne
France

Tel : +33 (0) 1 4981 6955

Fax: +33 (0) 1 4898 4088

Email: sales@paclite-equip.com



Notes

Notes

