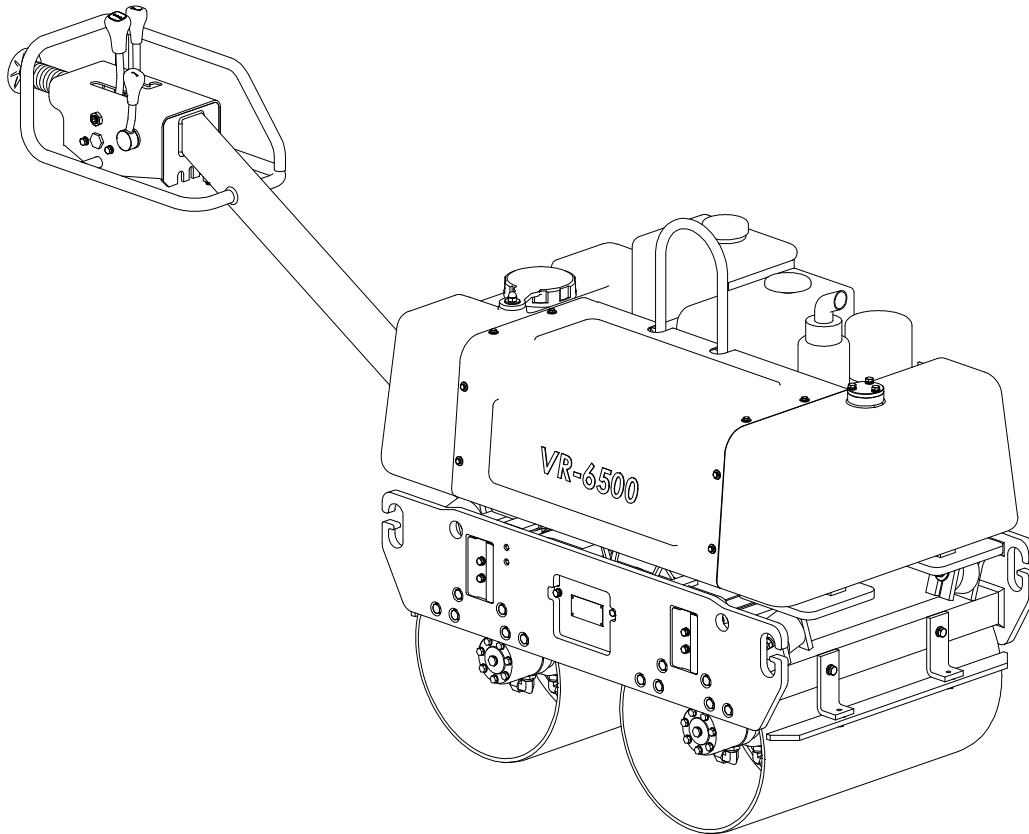
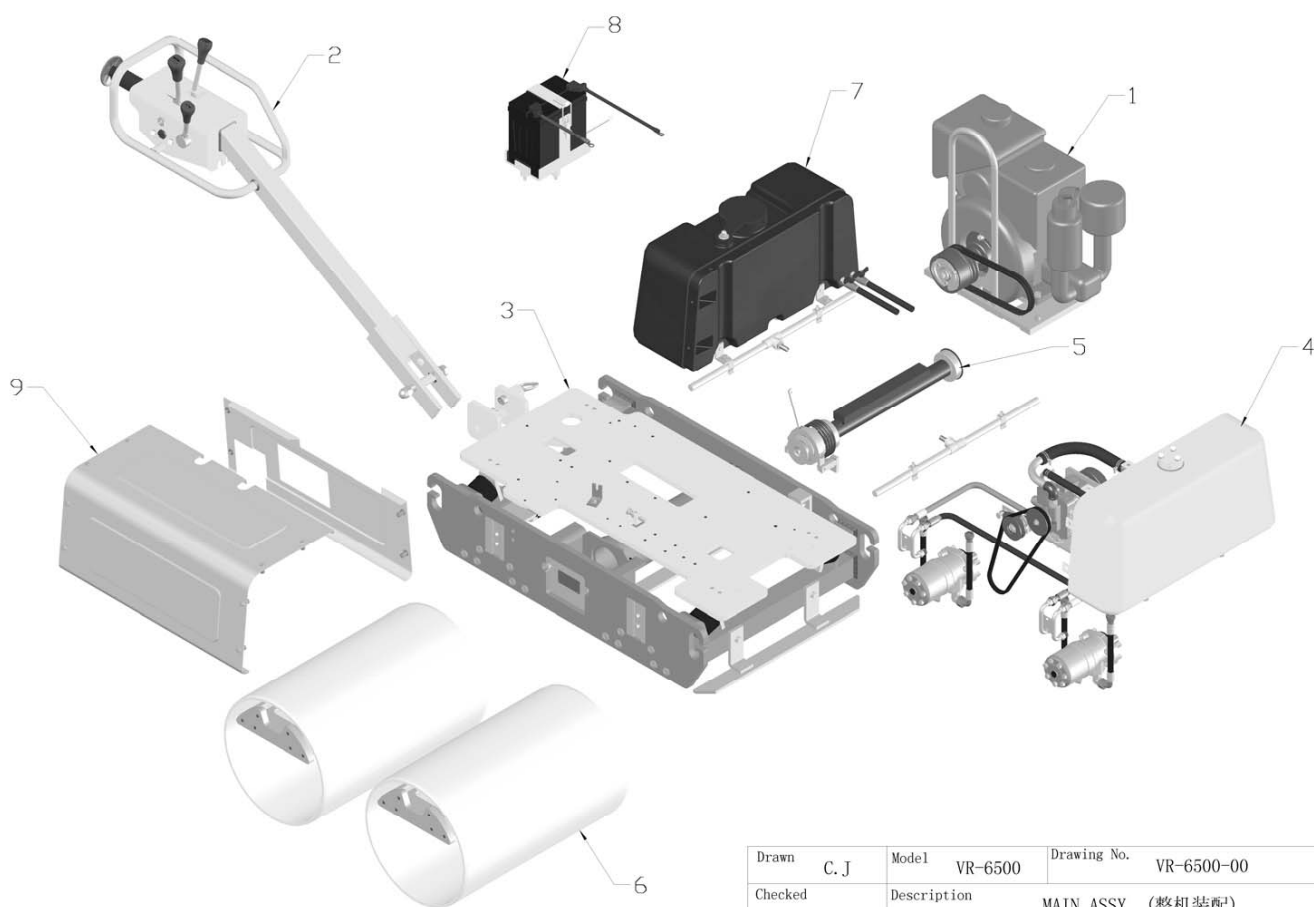


VR-6500



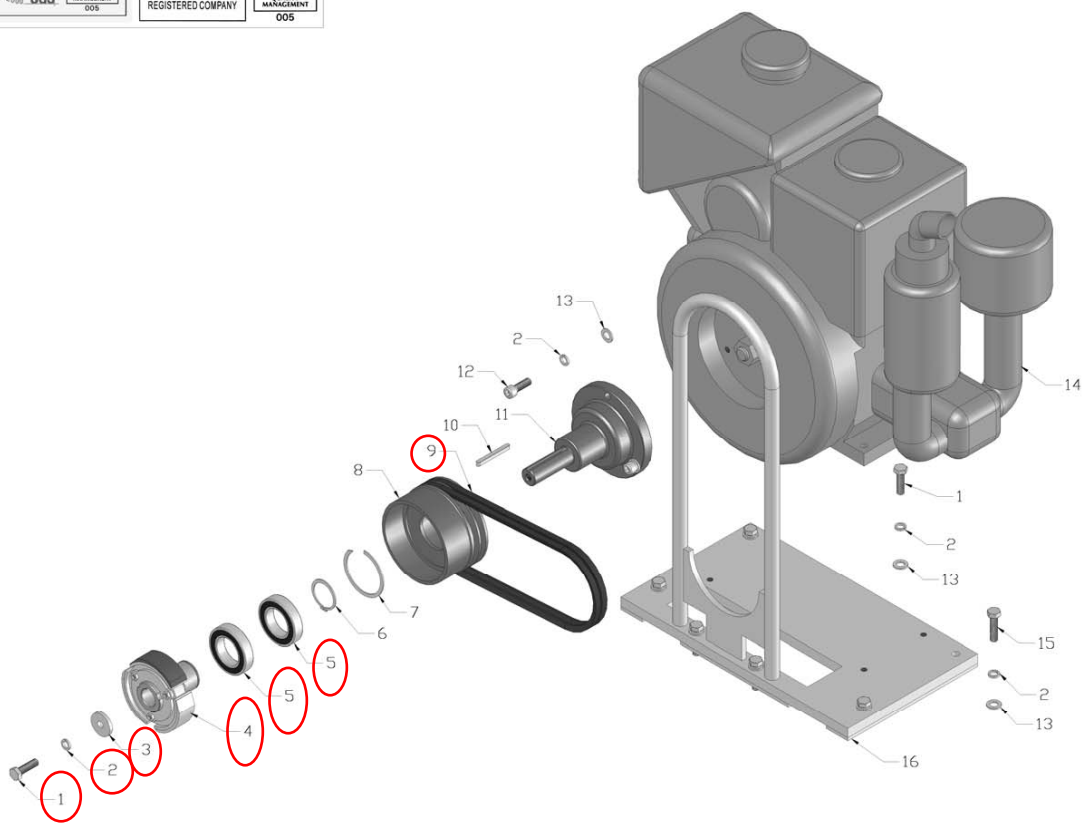
Spare Parts Manual



Drawn	C. J	Model	VR-6500	Drawing No.	VR-6500-00
Checked		Description	MAIN ASSY (整机装配)		
Approved		Date	2009.07.03		

VR-6500-00 MAIN UNIT

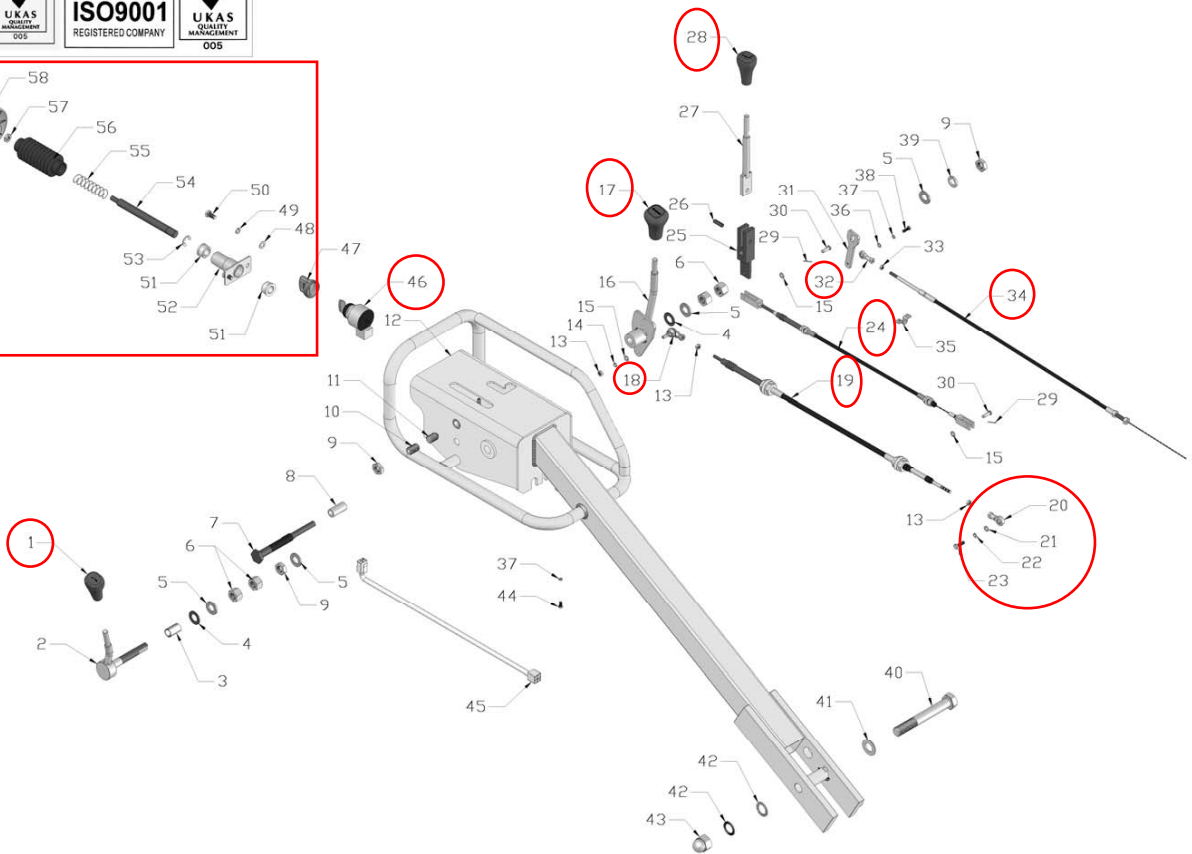
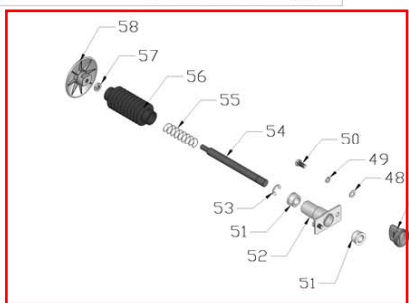
NO.	PART NO.	PART DESCRIPTION	QTY
00-1	VR-6500-01	ENGINE UNIT	1
00-2	VR-6500-02	OPERATION HANDLE UNIT	1
00-3	VR-6500-03	MAIN FRAME UNIT	1
00-4	VR-6500-04	HYDRAULIC UNIT	1
00-5	VR-6500-05	VIBRATION UNIT	1
00-6	VR-6500-06	DRUMS UNIT	1
00-7	VR-6500-07	SPRINKLER UNIT	1
00-8	VR-6500-08	BATTERY UNIT	1
00-9	VR-6500-09	COVER UNIT	1



Drawn	C. J	Model	VR-6500	Drawing No.	VR-6500-01
Checked		Description	ENGINE UNIT (引擎装配)		
Approved		Date	2009.07.03		

VR-6500-01 ENGINE UNIT

NO.	PART NO.	PART DESCRIPTION	QTY
01-1	VR-6500-FN.B-M10x35-8.8-DIN-1	BOLT	5
01-2	VR-6500-SPG.W10-DIN-1	SPRING WASHER	14
01-3	VR-6500-6.5-011000	WASHER	1
01-4	VR-6500-6.5-010902	CLUTCH	1
01-5	VR-6500-W01-6008ZZ-J	BEARING	2
01-6	VR-6500-CS.RG40	EXTERNAL CIRCLIP	1
01-7	VR-6500-6.5-010903	INTERNAL CIRCLIP	1
01-8	VR-6500-6.5-010901	PULLEY FOR CLUTCH	1
01-9	VR-6500-W02-3V315	V-BELT	2
01-10	VR-6500-Key.A-6.3x6.3x60	KEY	1
01-11	VR-6500-650-010200	P.T.O SHAFT	1
01-12	VR-6500-HS.B-M10x35-8.8-GB-1	SCREW	3
01-13	VR-6500-FN.W10-DIN-1	WASHER	13
01-14	VR-6500-W05-E75-NB3	ENGINE	1
01-15	VR-6500-FN.B-M10x40-8.8-DIN-1	BOLT	6
01-16	VR-6500-6.5-010100	ENGINE BASE	1

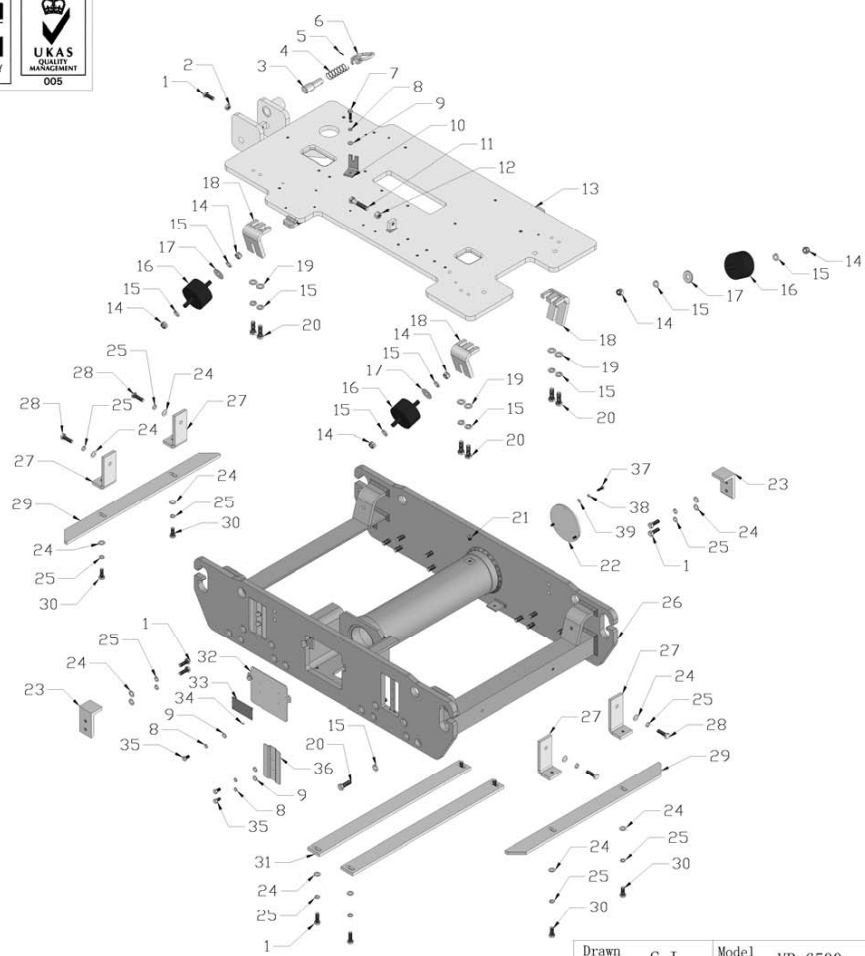


Drawn	C. J	Model	VR-6500	Drawing No.	VR-6500-02
Checked		Description	OPERATION HANDLE UNIT (扶手装配)		
Approved		Date	2009. 11. 12		

VR-6500-02 OPERATION HANDLE UNIT

NO.	PART NO.	PART DESCRIPTION	QTY
02-1	VR-6500-650-023000	THROTTLE GRIP	1
02-2	VR-6500-650-021000	THROTTLE GRIP	1
02-3	VR-6500-650-022400	BEARING BUSH	1
02-4	VR-6500-WSPG.W16-DIN-3	WAVE SPRING WASHER	2
02-5	VR-6500-FN.W16-DIN-2	WASHER	4
02-6	VR-6500-FN.N-M16-DIN-2	NUT	4
02-7	VR-6500-6.5-022100	PIN	1
02-8	VR-6500-6.5-022400	BUSH	1
02-9	VR-6500-FNL.N-M16-DIN-2	HEXAGON THIN NUT	3
02-10	VR-6500-FHSS.S-M16x25-GB-2	SOCKET SCREW WITH FLAT HEAD	1
02-11	VR-6500-6.5-022700	PLUNGER	1
02-12	VR-6500-650-020100F	OPERATION HANDLE	1
02-13	VR-6500-FN.N-M6-DIN-2	NUT	3
02-14	VR-6500-SPG.W6-DIN-2	SPRING WASHER	1
02-15	VR-6500-FN.W6-DIN-2	WASHER	3
02-16	VR-6500-650-021900	DRIVE LEVER	1
02-17	VR-6500-650-023100	DRIVE GRIP	1
02-18	VR-6500-6.5-020003	UNIVERSAL JOINT	1
02-19	VR-6500-6.5D-022600	DRIVE CABLE ASSY	1
02-20	VR-6500-6.5-020002	UNIVERSAL JOINT	1
02-21	VR-6500-FN.W6-DIN-1	WASHER	1
02-22	VR-6500-SPG.W6-DIN-1	SPRING WASHER	1
02-23	VR-6500-FN.B-M6x20-8.8-DIN-1	BOLT	1
02-24	VR-6500-6.5D-022500	VIBRATION CABLE ASSY	1
02-25	VR-6500-650-021700	U CONNECTOR	1
02-26	VR-6500-SC.PIN-8x24-GB-3	SPRING PIN	1
02-27	VR-6500-650-021800	VIBRATION LEVER	1
02-28	VR-6500-650-023200	VIBRATOR GRIP	1

02-29	VR-6500-SP.PIN-1.6x20-GB-2	SPLIT PIN	2
02-30	VR-6500-HWH.PIN-6x20-GB-2	PIN	2
02-31	VR-6500-650-021100	LEVER	1
02-32	VR-6500-6.5-020001	UNIVERSAL JOINT	1
02-33	VR-6500-FN.N-M5-DIN-2	NUT	1
02-34	VR-6500-6.5D-010800	THROTTLE CABLE ASSY	1
02-35	VR-6500-6.5-010400	CABLE CLIP	1
02-36	VR-6500-FN.W5-DIN-2	WASHER	1
02-37	VR-6500-SPG.W5-DIN-2	SPRING WASHER	3
02-38	VR-6500-FN.B-M5x16-8.8-DIN-2	BOLT	1
02-39	VR-6500-SPG.W16-DIN-2	SPRING WASHER	1
02-40	VR-6500-FN.B-M20x150-8.8-DIN-2	BOLT	1
02-41	VR-6500-FN.W20-DIN-2	WASHER	1
02-42	VR-6500-NL-20	SERRATED WASHER	2
02-43	VR-6500-HC.N-M20-DIN-2	CAP NUT	1
02-44	VR-6500-FN.B-M5X12-8.8-DIN-2	BOLT	2
02-45	VR-6500-ROL650-020700	START-UP WIRE	1
02-46	VR-6500-6.5D-000006	SWITCH	1
02-47	VR-6500-6.5D-000007	RUBBER COVER	1
02-48	VR-6500-FN.W8-DIN-2	WASHER	2
02-49	VR-6500-SPG.W8-DIN-2	SPRING WASHER	2
02-50	VR-6500-FN.B-M8x16-8.8-DIN-2	BOLT	2
02-51	VR-6500-6.5-021400	NYLON BUSH	2
02-52	VR-6500-650-021500	LEADER BASE	1
02-53	VR-6500-ET.RG12	LOCK WASHER FOR SHAFT	1
02-54	VR-6500-6.5-021600	ROD	1
02-55	VR-6500-6.5-021300	SPRING	1
02-56	VR-6500-650-022900	SWITCH BUSH	1
02-57	VR-6500-FNL.N-M10-DIN-2	HEXAGON THIN NUT	1
02-58	VR-6500-650-021200P	EMERGENCY KNOB	1

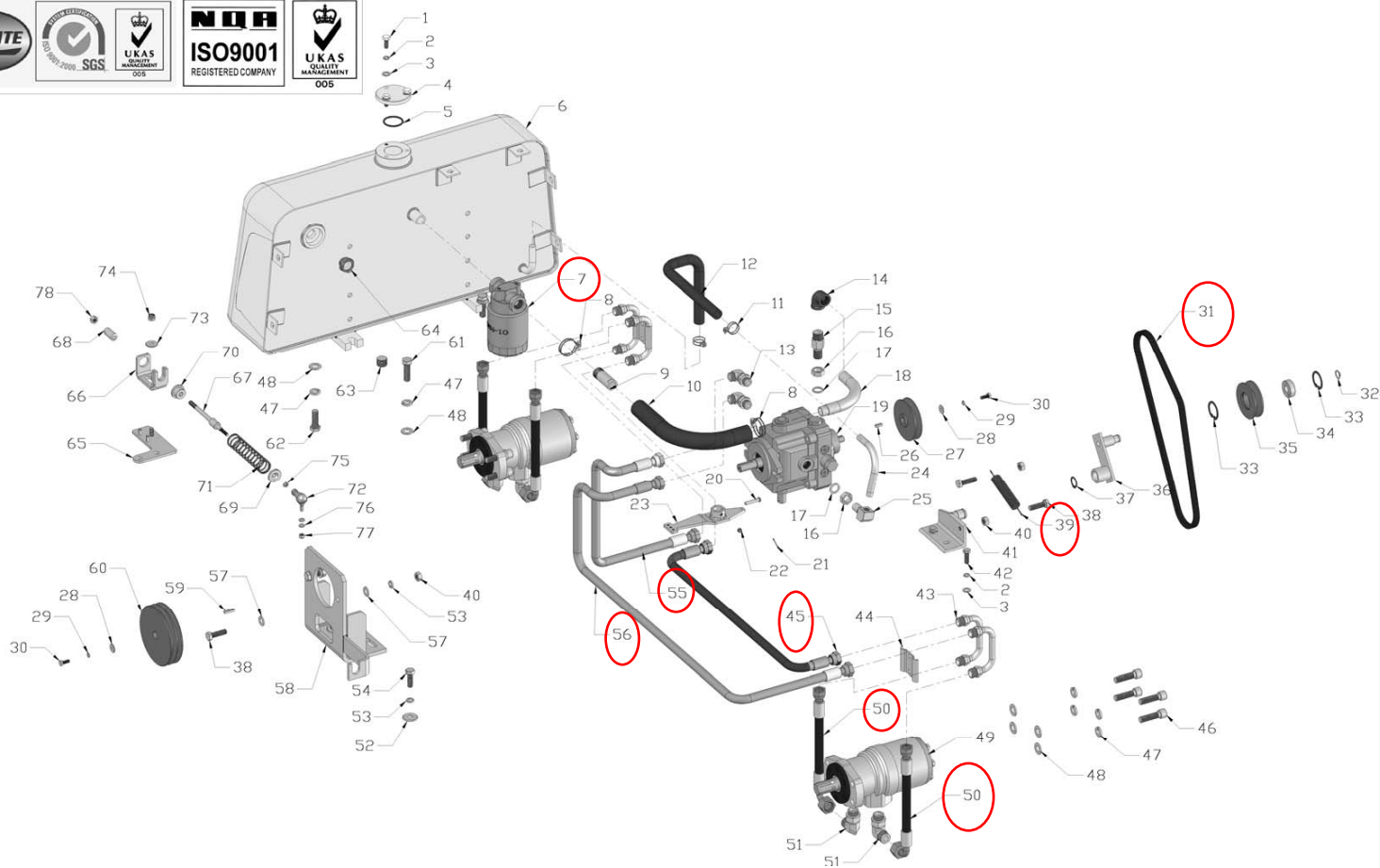


Drawn	C. J	Model	VR-6500	Drawing No.	VR-6500-03
Checked		Description	MAIN FRAME UNIT (机架装配)		
Approved		Date	2009. 07. 03		

VR-6500-03 MAIN FRAME

NO.	PART NO.	PART DESCRIPTION	QTY
03-1	VR-6500-FN.B-M10x30-8.8-DIN-1	BOLT	9
03-2	VR-6500-FN.N-M10-DIN-1	NUT	1
03-3	VR-6500-6.5-020200	PIN	1
03-4	VR-6500-6.5-020300	SPRING	1
03-5	VR-6500-SC.PIN-3x16-GB-3	SPRING PIN	1
03-6	VR-6500-650-020600	EYE BOLT	1
03-7	VR-6500-FN.B-M8x25-8.8-DIN-1	BOLT	1
03-8	VR-6500-SPG.W8-DIN-1	SPRING WASHER	7
03-9	VR-6500-FN.W8-DIN-1	WASHER	7
03-10	VR-6500-6.5-051600	BRACKET	1
03-11	VR-6500-FN.B-M12x60-8.8-DIN-1	BOLT	1
03-12	VR-6500-FN.N-M12-DIN-1	NUT	1
03-13	VR-6500-650-030300	BASE FRAME	1
03-14	VR-6500-IN.N-M12-DIN-1	LOCK NUT	8
03-15	VR-6500-SPG.W12-DIN-1	SPRING WASHER	40
03-16	VR-6500-6.5-030700	RUBBER CUSHION	4
03-17	VR-6500-WOD.W12-GB-1	WASHER	4
03-18	VR-6500-6.5-030600	UPPER CUSHION SEAT	4
03-19	VR-6500-FN.W12-DIN-1	WASHER	8
03-20	VR-6500-FN.B-M12x35-8.8-DIN-1	BOLT	32
03-21	VR-6500-100G-000004	VENT SCREW	1

03-22	VR-6500-6.5-050300	COVER	1
03-23	VR-6500-650-030400	STOPPER	2
03-24	VR-6500-FN.W10-DIN-1	WASHER	16
03-25	VR-6500-SPG.W10-DIN-1	SPRING WASHER	16
03-26	VR-6500-650-030100	MOUNTING	1
03-27	VR-6500-6.5D-031000	SCRAPER FRAME	4
03-28	VR-6500-FN.B-M10x35-8.8-DIN-1	BOLT	4
03-29	VR-6500-6.5D-031100	EXTERNAL SCRAPER	2
03-30	VR-6500-FN.B-M10x25-8.8-DIN-1	BOLT	4
03-31	VR-6500-6.5D-030900	INTERNAL SCRAPER	2
03-32	VR-6500-6.5-030500	SIDE COVER	1
03-33	VR-6500-D4-MP-P	NAMEPLATE	1
03-34	VR-6500-K.RVT-3.2x11	RIVET	4
03-35	VR-6500-FN.B-M8x16-8.8-DIN-1	BOLT	6
03-36	VR-6500-6.5-040900	U BYPASS SUPPORT	2
03-37	VR-6500-FN.B-M6x20-8.8-DIN-1	BOLT	3
03-38	VR-6500-SPG.W6-DIN-1	SPRING WASHER	3
03-39	VR-6500-FN.W6-DIN-1	WASHER	3



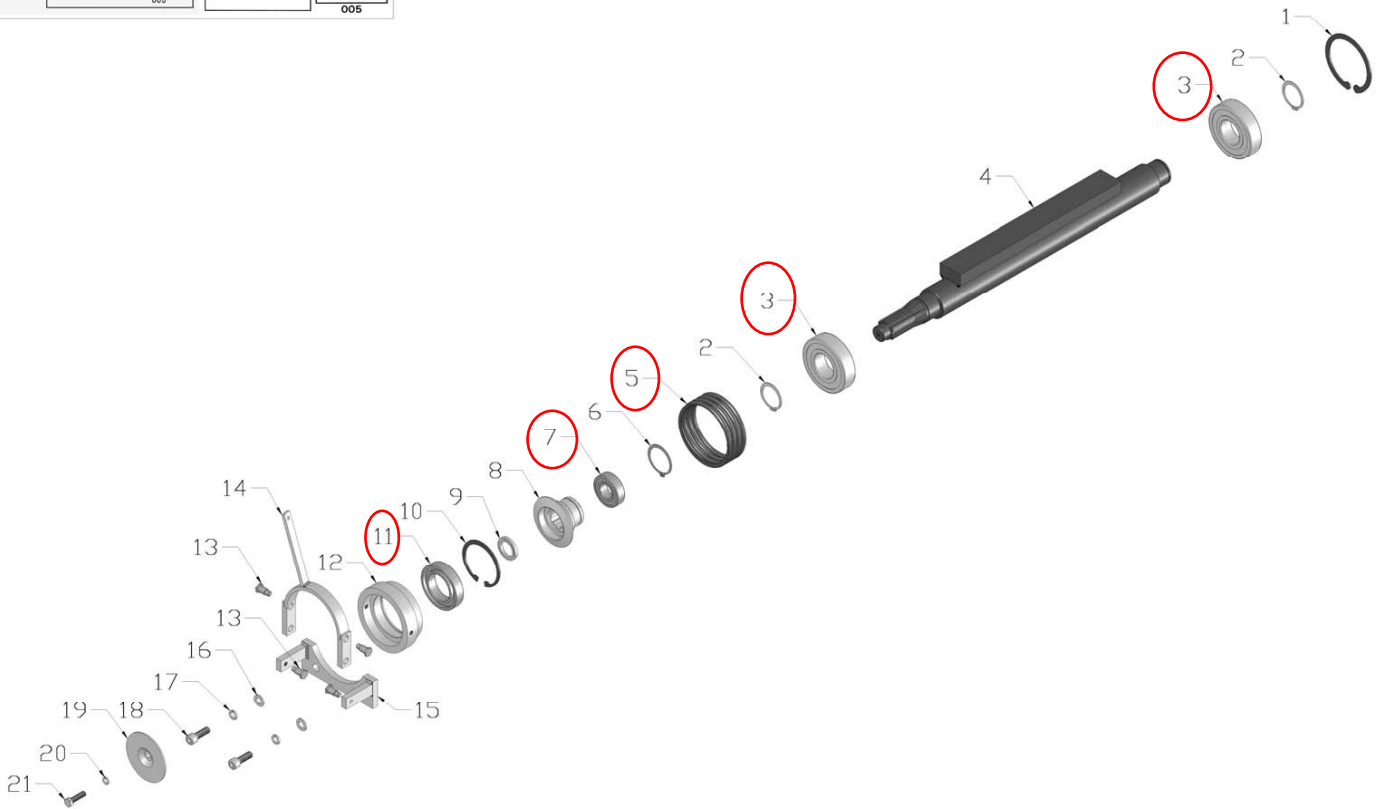
Drawn	C. J	Model	VR-6500	Drawing No.	VR-6500-04
Checked		Description	HYDRAULIC UNIT (液压系统装配)		
Approved		Date	2009. 11. 12		

VR-6500-04 HYDRAULIC UNIT

NO.	PART NO.	PART DESCRIPTION	QTY
04-1	VR-6500-FN.B-M8x20-8.8	BOLT	3
04-2	VR-6500-SPG.W8-DIN-1	SPRING WASHER	5
04-3	VR-6500-FN.W8-DIN-1	WASHER	5
04-4	VR-6500-6.5-041107	HYDRULIC OIL TANK CAP	1
04-5	VR-6500-W04-34.4x3.1	O-RING	1
04-6	VR-6500-650-041100	HYDRAULIC OIL TANK	1
04-7	VR-6500-6.5-040003	FILTER	1
04-8	VR-6500-6.5-040008	STEEL WIRE HOOP	2
04-9	VR-6500-6.5-041200	FILTER NIPPLE	1
04-10	VR-6500-6.5-040007	SUCTION HOSE	1
04-11	VR-6500-6.5-040009	STEEL WIRE HOOP	2
04-12	VR-6500-6.5-040006	DRAIN HOSE	1
04-13	VR-6500-1CG9-18-06OG	ELBOW BEND	2
04-14	VR-6500-6.5-041600	PIPE BEND	1
04-15	VR-6500-6.5-041300	SUCTION CONNECTOR	1
04-16	VR-6500-6.5-041500	LOCK NUT	2
04-17	VR-6500-ZH-D-M16	WASHER	2
04-18	VR-6500-6.5-040700	SUCTION NIPPLE	1
04-19	VR-6500-W17-PV10-619	HYDRAULIC PUMP	1
04-20	VR-6500-HWH.PIN-6x32	PIN	1
04-21	VR-6500-SP.PIN-1.6x20	SPLIT PIN	1
04-22	VR-6500-FHSS.S-M8x6-GB-3	GRUB SCREW	1
04-23	VR-6500-650-041900	CONTROL LEVER	1
04-24	VR-6500-6.5-040600	DRAIN NIPPLE	1
04-25	VR-6500-6.5-041400	TIE-IN	1
04-26	VR-6500-Key.B-4.8x4.8x14	KEY	1
04-27	VR-6500-6.5-040500	PUMP PULLEY	1
04-28	VR-6500-WOD.W6-GB-1	WASHER	2
04-29	VR-6500-SPG.W6-DIN-1	SPRING WASHER	2
04-30	VR-6500-FN.B-M6x16-8.8-DIN-1	BOLT	2

04-31	VR-6500-W02-A33	V-BELT	1
04-32	VR-6500-CS.RG15	EXTERNAL CIRCLIP	1
04-33	VR-6500-CH.RG35	INTERNAL CIRCLIP	2
04-34	VR-6500-W01-6202Z-J	BEARING	1
04-35	VR-6500-6.5-051400	PULLEY	1
04-36	VR-6500-6.5-051300	PULLEY BRACKET	1
04-37	VR-6500-CS.RG20	EXTERNAL CIRCLIP	1
04-38	VR-6500-FN.B-M10x35-8.8-DIN-1	BOLT	4
04-39	VR-6500-6.5-051500	SPRING	1
04-40	VR-6500-FN.N-M10-DIN-1	NUT	4
04-41	VR-6500-6.5-051200	PULLEY BRACKET	1
04-42	VR-6500-FN.B-M8x25-8.8-DIN-1	BOLT	2
04-43	VR-6500-6.5-040800	BYPASS PIPE	4
04-44	VR-6500-6.5-041000	U BYPASS STATOR	2
04-45	VR-6500-20411-18-06x1T06IRx500	HYDRAULIC HOSE	1
04-46	VR-6500-HS.B-M12x45	SCREW	8
04-47	VR-6500-SPG.W12-DIN-1	SPRING WASHER	12
04-48	VR-6500-FN.W12-DIN-1	WASHER	12
04-49	VR-6500-W17-151-6038	HYDRAULIC MOTOR	2
04-50	VR-6500-20491-22-06T/20411-18x1T06IRx385	HYDRAULIC HOSE	4
04-51	VR-6500-1CG9-22-08OG	ELBOW BEND	4
04-52	VR-6500-WOD.W10-GB-1	WASHER	4
04-53	VR-6500-SPG.W10-DIN-1	SPRING WASHER	6
04-54	VR-6500-FN.B-M10x30-8.8-DIN-1	BOLT	4
04-55	VR-6500-20411-18-06x1T06IRx750	HYDRAULIC HOSE	1
04-56	VR-6500-20411-18-06x1T06IRx1070	HYDRAULIC HOSE	1
04-57	VR-6500-FN.W10-DIN-1	WASHER	4
04-58	VR-6500-6.5-040100	PUMP BRACKET	1
04-59	VR-6500-Key.B-5x5x22	KEY	1
04-60	VR-6500-6.5-040300	PUMP PULLEY	1
04-61	VR-6500-FN.B-M12x40-8.8-DIN-1	BOLT	2
04-62	VR-6500-FN.B-M12x35-8.8-DIN-1	BOLT	2

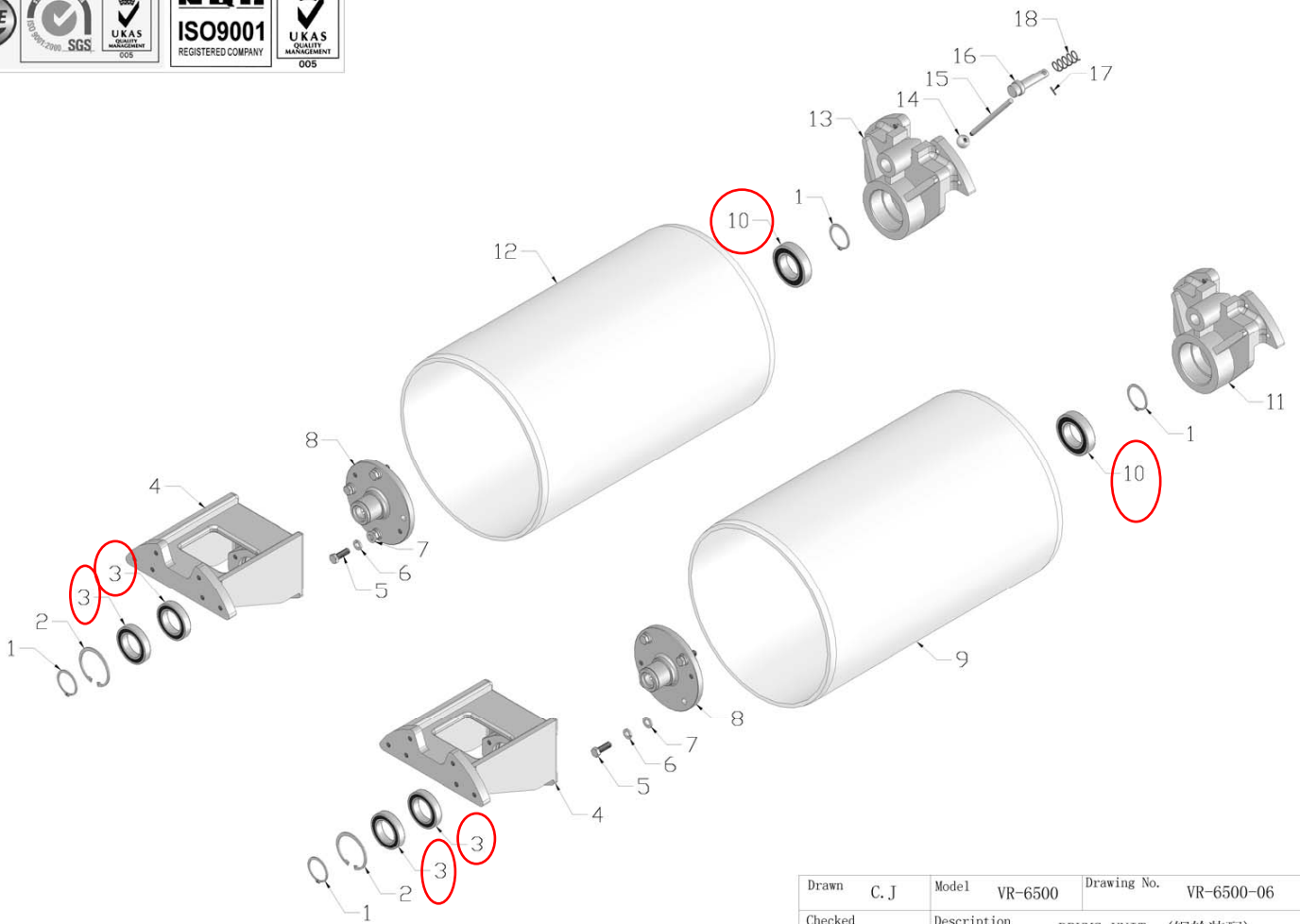
04-63	VR-6500-HSHOS.B-ZG1-2	HEXAGONAL SOCKET HEAD PLUG	1
04-64	VR-6500-100GB-041000	OIL GAUGE	1
04-65	VR-6500-650-041700	BASE PLATE	1
04-66	VR-6500-650-041800	BRACKET	1
04-67	VR-6500-650-042000	BOLT	1
04-68	VR-6500-650-042100	ADJUST NUT	1
04-69	VR-6500-650-042200	SPACE COLLAR A	1
04-70	VR-6500-650-042300	SPACE COLLAR B	1
04-71	VR-6500-650-042400	SPRING	1
04-72	VR-6500-6.5-020003	NUIVERASL JOINT	1
04-73	VR-6500-WOD.W8-GB-1	WASHER	1
04-74	VR-6500-IN.N-M8-DIN-1	LOCK NUT	1
04-75	VR-6500-FNL.N-M6-DIN-1	HEXAGON THIN NUT	1
04-76	VR-6500-FN.W6-DIN-1	WASHER	2
04-77	VR-6500-IN.N-M6-DIN-1	LOCK NUT	1
04-78	VR-6500-FN.N-M8-DIN-1	NUT	1



Drawn	C. J	Model	VR-6500	Drawing No.	VR-6500-05
Checked		Description	VIBRATION UNIT (振动机构装配)		
Approved		Date	2009. 07. 03		

VR-6500-05 VIBRATION UNIT

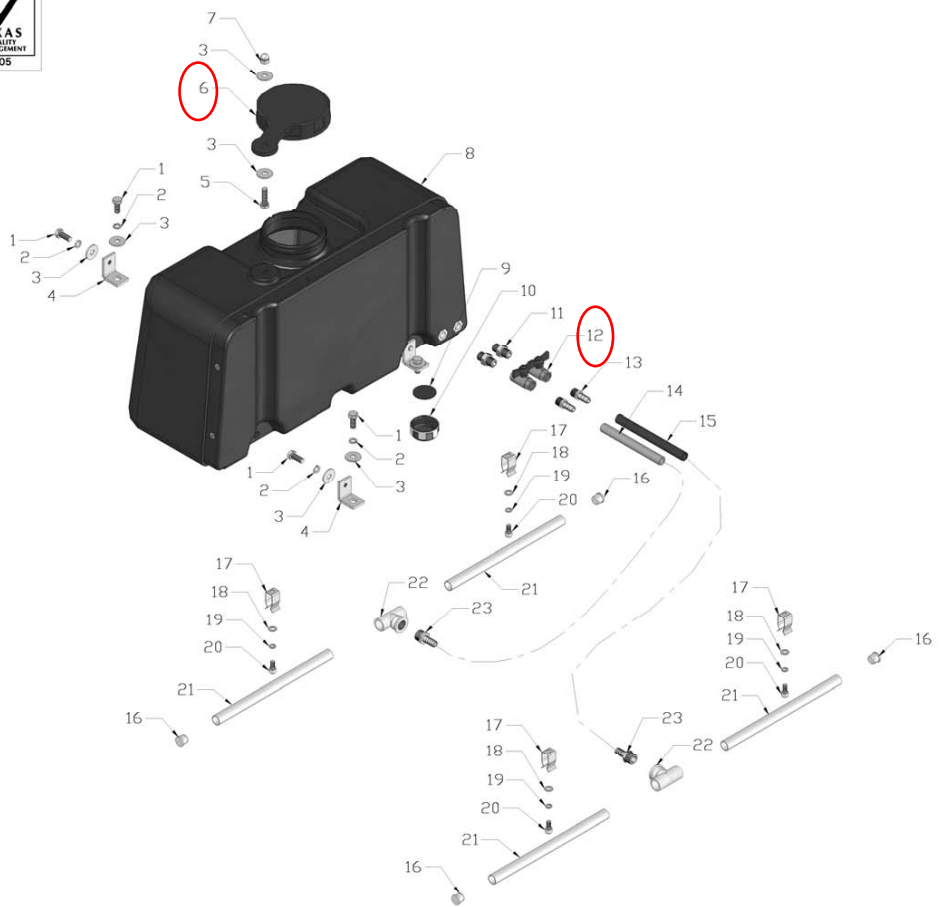
NO.	PART NO.	PART DESCRIPTION	QTY
05-1	VR-6500-CH.RG90	INTERNAL CIRCLIP	1
05-2	VR-6500-CS.RG40	EXTERNAL CIRCLIP	2
05-3	VR-6500-W01-6308ZZ-J	BEARING	2
05-4	VR-6500-650-050100	EXCITER SHAFT	1
05-5	VR-6500-6.5-050400	SPRING	1
05-6	VR-6500-CS.RG45	EXTERNAL CIRCLIP	1
05-7	VR-6500-W01-6205ZZ-J	BEARING	1
05-8	VR-6500-6.5-050600	EXCITER PULLEY	1
05-9	VR-6500-6.5-050800	COLLAR	1
05-10	VR-6500-CH.RG75	INTERNAL CIRCLIP	1
05-11	VR-6500-W01-6009LLU-J	BEARING	1
05-12	VR-6500-6.5-050500	EXCITER BUSH	1
05-13	VR-6500-6.5-051000	BOLT	4
05-14	VR-6500-5.5-050900	EXCITER LEVER	1
05-15	VR-6500-6.5D-051100	EXCITER LEVER SUPPORT	1
05-16	VR-6500-FN.W10-DIN-1	WASHER	2
05-17	VR-6500-SPG.W10-DIN-1	SPRING WASHER	2
05-18	VR-6500-HS.B-M10x30-8.8-DIN-1	SCREW	2
05-19	VR-6500-6.5-050700	EXCITER PULLEY	1
05-20	VR-6500-SPG.W8-DIN-1	SPRING WASHER	1
05-21	VR-6500-FN.B-M8x30-8.8-DIN-1	BOLT	1



Drawn	C. J	Model	VR-6500	Drawing No.	VR-6500-06
Checked		Description	DRUMS UNIT (钢轮装配)		
Approved		Date	2009. 07. 03		

VR-6500-06 DRUMS

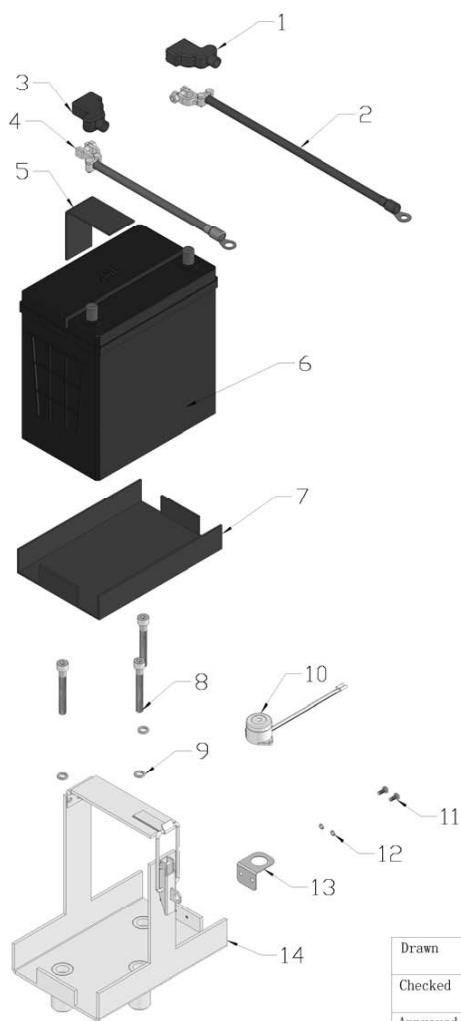
NO.	PART NO.	PART DESCRIPTION	QTY
06-1	VR-6500-CS.RG50	EXTERNAL CIRCLIP	4
06-2	VR-6500-CH.RG80	INTERNAL CIRCLIP	2
06-3	VR-6500-W01-6010LLU-J	BEARING	4
06-4	VR-6500-6.5-060100	BRACKET	2
06-5	VR-6500-FN.B-M12x35-8.8-DIN-1	BOLT	8
06-6	VR-6500-SPG.W12-DIN-1	SPRING WASHER	8
06-7	VR-6500-FN.W12-DIN-1	WASHER	8
06-8	VR-6500-6.5-060200	FLANGE SHAFT	2
06-9	VR-6500-6.5D-060300	FRONT DRUM	1
06-10	VR-6500-W01-6210LLU-J	BEARING	2
06-11	VR-6500-6.5-060500	FRONT LEFT BRACKET	1
06-12	VR-6500-SPG.W10-DIN-1	SPRING WASHER	2
06-13	VR-6500-FN.B-M10x20-8.8-DIN-1	BOLT	2
06-14	VR-6500-6.5D-060600	REAR DRUM	1
06-15	VR-6500-6.5-060800	REAR LEFT BRACKET	1
06-16	VR-6500-SH-M8x25	GRIP BALL	1
06-17	VR-6500-6.5-060700	PARKING HANDLE	1
06-18	VR-6500-6.5-060900	STOPPER SHAFT	1
06-19	VR-6500-SC.PIN-3x18-GB-3	SPRING PIN	1
06-20	VR-6500-6.5-061000	SPRING	1



Drawn	C. J	Model	VR-6500	Drawing No.	VR-6500-07
Checked		Description	SPRINKLER UNIT (洒水系统装配)		
Approved		Date	2009. 11. 12		

VR-6500-07 SPRINKLER UNIT

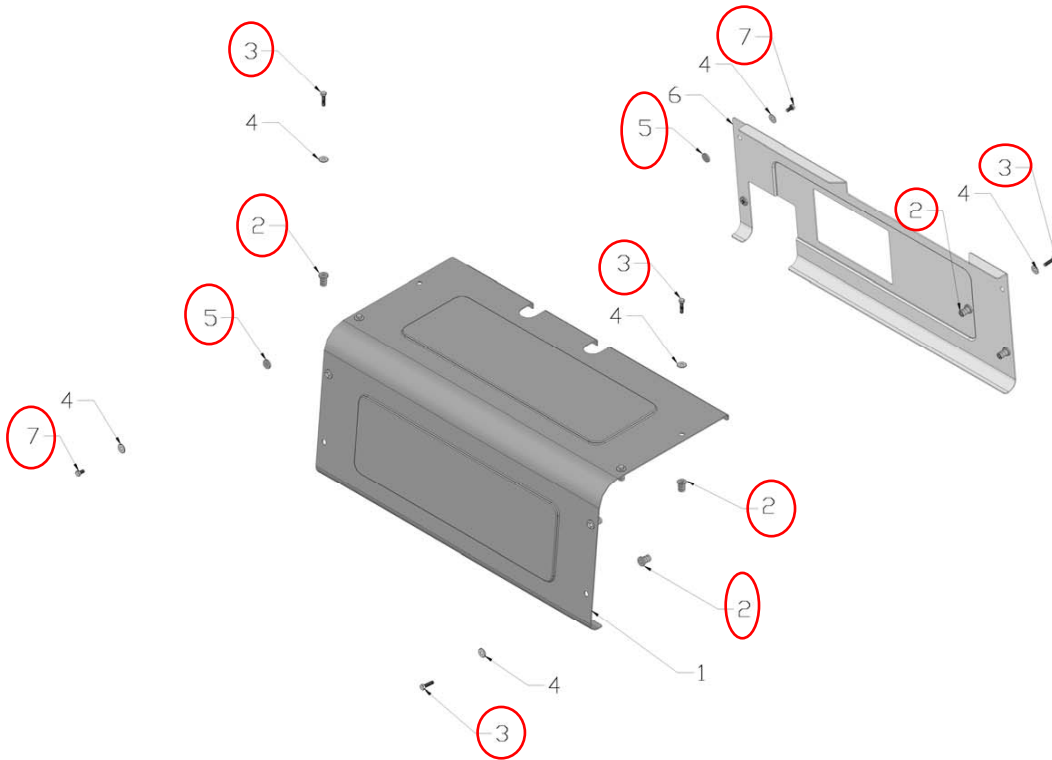
NO.	PART NO.	PART DESCRIPTION	QTY
07-1	VR-6500-FN.B-M10x25-8.8-DIN-1	BOLT	6
07-2	VR-6500-SPG.W10-DIN-1	SPRING WASHER	6
07-3	VR-6500-WOD.W10-GB-1	LARGE WASHER	8
07-4	VR-6500-650-070300	BRACKET	3
07-5	VR-6500-FN.B-M10x35-8.8-DIN-1	BOLT	1
07-6	VR-6500-650-070200	WATER TANK CAP	1
07-7	VR-6500-HC.N-M10	CAP NUT	1
07-8	VR-6500-650-070100	WATER TANK	1
07-9	VR-6500-650-070500	RUBBER CUSHION	1
07-10	VR-6500-70B-010112	FUEL TANK CAP	1
07-11	VR-6500-650-070400	CONNECTOR	2
07-12	VR-6500-6.5-070001	CULVERT VALVE	2
07-13	VR-6500-20-000703	HOSE NIPPLE	2
07-14	VR-6500-6.5-070003	HYDRAULIC HOSE	1
07-15	VR-6500-6.5-070004	HYDRAULIC HOSE	1
07-16	VR-6500-90BII-060300	STOPPER	4
07-17	VR-6500-6.5-080000	PIPE HOLDER	4
07-18	VR-6500-FN.W8-DIN-1	WASHER	4
07-19	VR-6500-SPG.W8-DIN-1	SPRING WASHER	4
07-20	VR-6500-HS.B-M8x16-8.8-GB-1	SCREW	4
07-21	VR-6500-6.5D-070200	HOSE	4
07-22	VR-6500-90BII-000005	TEE COUPLING	2
07-23	VR-6500-90BII-000001	HOSE NIPPLE	2



Drawn	C. J	Model	VR-6500	Drawing No.	VR-6500-08
Checked		Description	BATTERY UNIT (电源装配)		
Approved		Date	2009. 07. 03		

VR-6500-08 BATTERY UNIT

NO.	PART NO.	PART DESCRIPTION	QTY
08-1	VR-6500-650-080100	ANODE CAP	1
08-2	VR-6500-650-080300	ANODE WIRE	1
08-3	VR-6500-650-080200	CATHODE CAP	1
08-4	VR-6500-650-080400	CATHODE WIRE	1
08-5	VR-6500-6.5D-031403	UNDERLAY	1
08-6	VR-6500-6.5D-000001	BATTERY	1
08-7	VR-6500-6.5D-031404	UNDERLAY	1
08-8	VR-6500-HS.B-M8x60-8.8-GB-1	SCREW	3
08-9	VR-6500-SPG.W8-DIN-1	SPRING WASHER	3
08-10	VR-6500-650-080500	BUZZER	1
08-11	VR-6500-PAN.S-M4x6	PAN HEAD SCREW	2
08-12	VR-6500-SPG.W4-DIN-1	SPRING WASHER	2
08-13	VR-6500-650-080600	BUZZER BRACKET	1
08-14	VR-6500-6.5D-031400	BATTERY BOX	1



Drawn	C. J	Model	VR-6500	Drawing No.	VR-6500-09
Checked		Description	COVER UNIT (机盖装配)		
Approved		Date	2009. 11. 12		


VR-6500-09 COVER UNIT


NO.	PART NO.	PART DESCRIPTION	QTY
09-1	VR-6500-650-090200	COVER	1
09-2	VR-6500-5-31-2253006021	WEL NUT	8
09-3	VR-6500-FN.B-M6x25-8.8-DIN-1	BOLT	8
09-4	VR-6500-FNL..W6-GB-1	LARGE WASHER	12
09-5	VR-6500-650-090110	RUBBER WASHER	4
09-6	VR-6500-650-090100	SIDE COVER	1
09-7	VR-6500-FN.B-M6x12-8.8-DIN-1	BOLT	4



Uni-corp Europe S.A.R.L.
Paclite Equipment

33 Avenue Pierre Brossolette,
94048 Créteil Cedex,
FRANCE

 +33 (0) | 49 81 69 55

 +33 (0) | 48 98 40 88

 sales@paclite-equip.com

 paclite-equip.com

