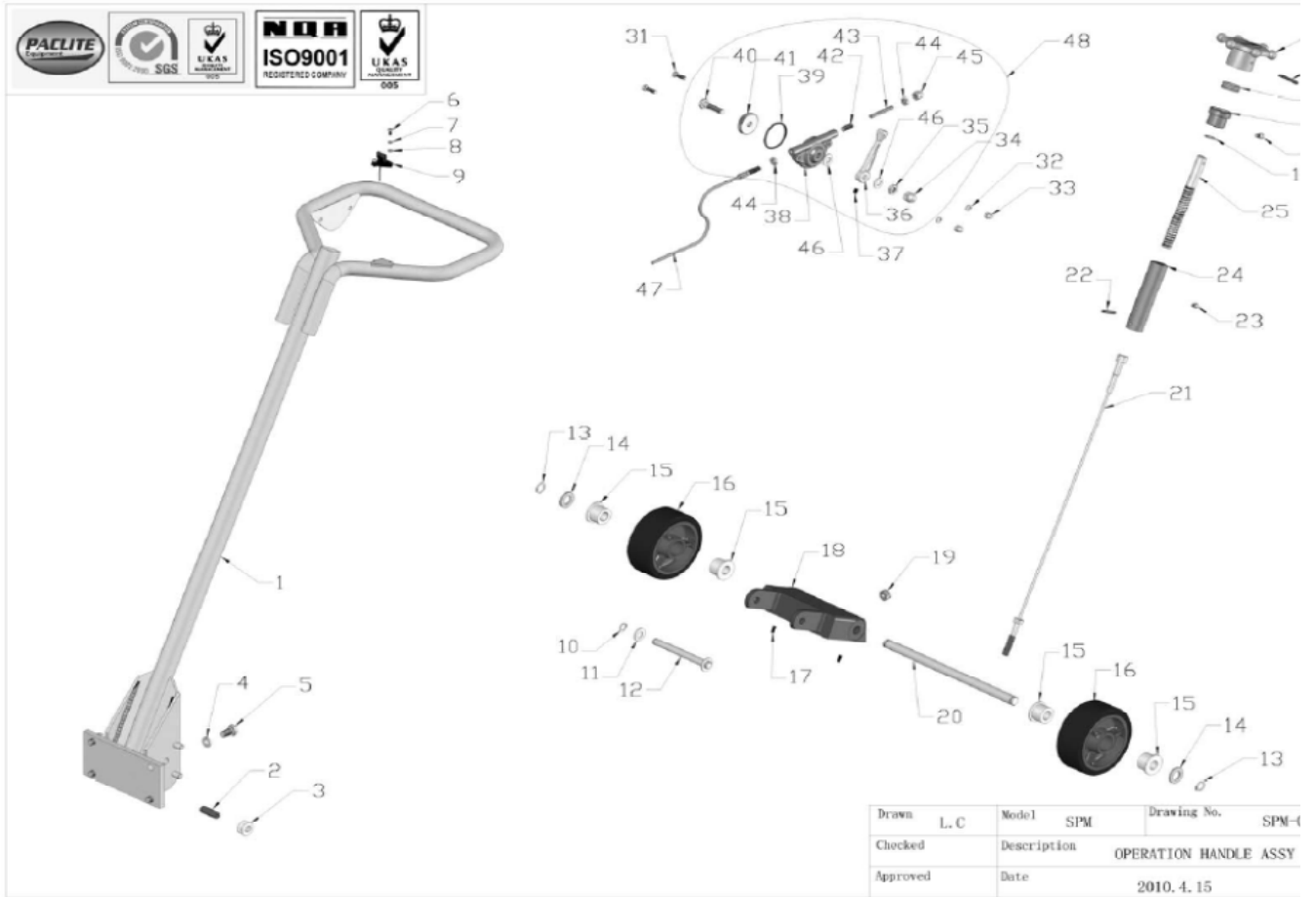
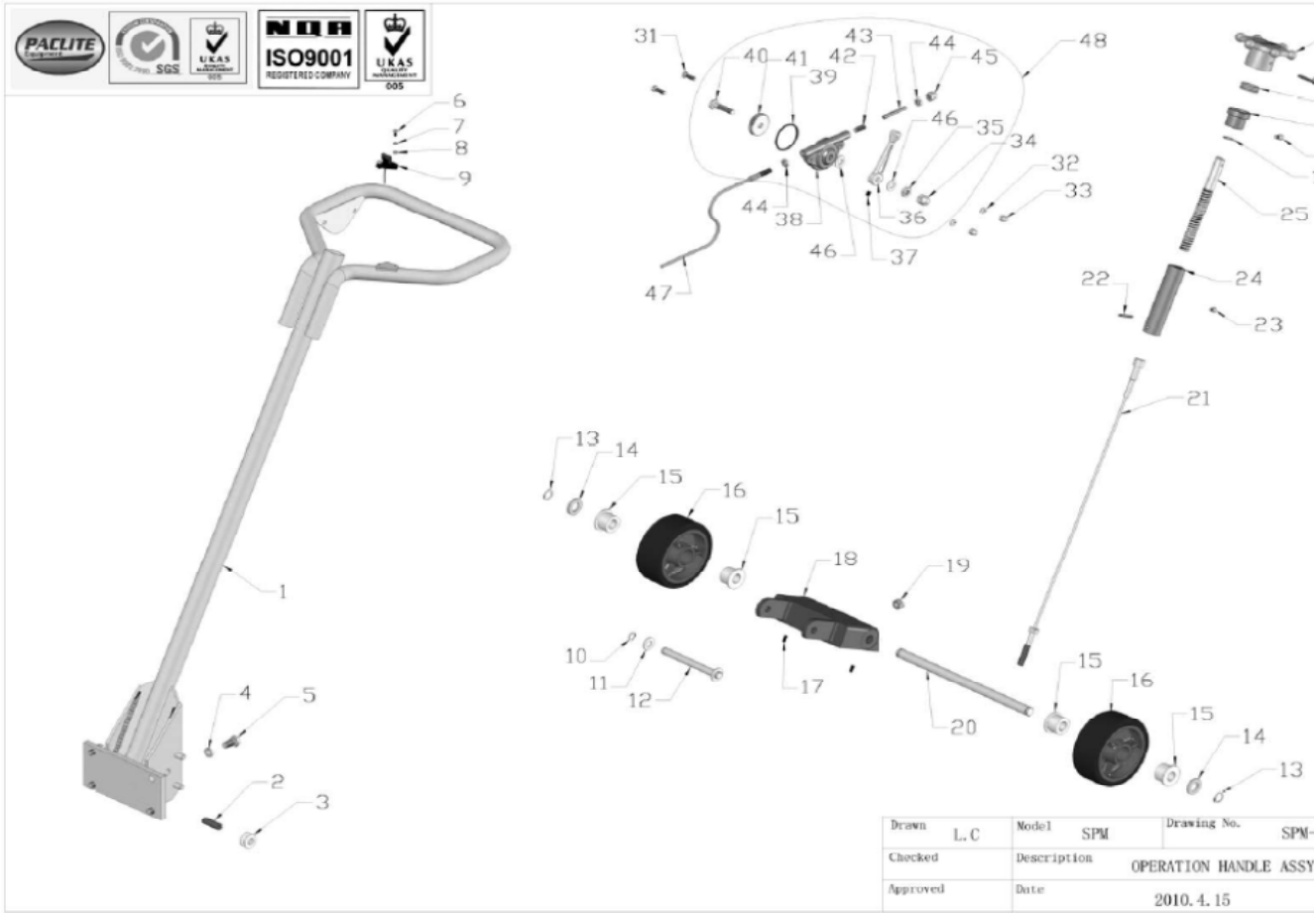


SPM-02 OPERATION HANDLE ASSY



| NO. | PART NO. | PART DESCRIPTION | QTY |
|-------|---------------------------|-----------------------------|-----|
| 02-1 | SPM-050000 | OPERTION HANDLE | 1 |
| 02-2 | SPM-SC.PIN-12x35 | SPRING PIN | 1 |
| 02-3 | SPM-060400 | PULLEY, DEPTH CONTROL CABLE | 1 |
| 02-4 | SPM-HSPG.W10-DIN-1 | SPRING WASHER,TANG ENDS | 4 |
| 02-5 | SPM-FN.B-M10x20-8.8-DIN-1 | BOLT | 4 |
| 02-6 | SPM-PAN.S-M4x10-GB-2 | PAN HEAD SCREW | 2 |
| 02-7 | SPM-SPG.W4-DIN-1 | SPRING WASHER | 2 |
| 02-8 | SPM-FN.W4-DIN-1 | WASHER | 2 |
| 02-9 | SPM-066-00004-80 | SCRAM SWITCH | 1 |
| 02-10 | SPM-CS.RG12 | EXTERNAL CIRCLIP | 2 |
| 02-11 | SPM-FN.W12-DIN-1 | WASHER | 2 |
| 02-12 | SPM-060300 | SHAFT, REAR WHEEL FORK | 1 |
| 02-13 | SPM-CS.RG16 | EXTERNAL CIRCLIP | 3 |
| 02-14 | SPM-FN.W16-DIN-1 | WASHER | 2 |
| 02-15 | SPM-010300 | NYLON BUSH | 4 |
| 02-16 | SPM-000010 | REAR WHEEL | 2 |
| 02-17 | SPM-FHSS.S-M5x12 | SOCKET HEAD SCREW | 2 |
| 02-18 | SPM-060100 | REAR WHEEL FORK | 1 |
| 02-19 | SPM-IN.N-M10-DIN-1 | LOCK NUT | 1 |
| 02-20 | SPM-060200 | REAR WHEEL AXLE | 1 |
| 02-21 | SPM-000007 | DEPTH CONTROL CABLE ASSY | 1 |
| 02-22 | SPM-SC.PIN-5x30 | SPRING PIN | 1 |
| 02-23 | SPM-HS.B-M5x6-8.8-GB-1 | SCREW | 1 |
| 02-24 | SPM-050600 | SLIDE BUSH | 1 |
| 02-25 | SPM-100G-010003 | ADJUSTING SCREW | 1 |
| 02-26 | SPM-060700 | BEARING HOUSING | 1 |
| 02-27 | SPM-W01-51103-J | BEARING | 1 |
| 02-28 | SPM-100G-010008P | PITCH CONTROL KNOB | 1 |
| 02-29 | SPM-SC.PIN-5x40 | SPRING PIN | 1 |
| 02-30 | SPM-HS.B-M6x8-8.8-GB-1 | SCREW | 1 |
| 02-31 | SPM-FN.B-M6x20-8.8-DIN-2 | BOLT | 2 |
| 02-32 | SPM-HSPG.W6-DIN-2 | SPRING WASHER,TANG ENDS | 2 |
| 02-33 | SPM-HC.N-M6-DIN-2 | CAP NUT | 2 |
| 02-34 | SPM-HC.N-M10-DIN-2 | CAP NUT (| 1 |
| 02-35 | SPM-FNL.N-M10-DIN-2 | HEXAGON THIN NUT | 1 |
| 02-36 | SPM-70ND-060000 | THROTTLE LEVER | 1 |
| 02-37 | SPM-FHSS.S-M6x8-GB-3 | SOCKET SCREW WITH FLAT HEAD | 1 |
| 02-38 | SPM-70ND-060001 | THROTTLE BODY | 1 |
| 02-39 | SPM-W04-45x3 | O-RING | 1 |
| 02-40 | SPM-70ND-060003 | BOLT | 1 |
| 02-41 | SPM-70ND-060002 | THROTTLE GEAR | 1 |
| 02-42 | SPM-FHSS.S-M8x20-GB-3 | SOCKET SCREW WITH FLAT HEAD | 1 |



| NO. | PART NO. | PART DESCRIPTION | QTY |
|-------|------------------------|---------------------|-----|
| 02-43 | SPM-70ND-060004 | SLIDER | 1 |
| 02-44 | SPM-FNL.N-M8-DIN-2 | HEXAGON THIN NUT | 2 |
| 02-45 | SPM-HC.N-M8-DIN-2 | CAP NUT | 1 |
| 02-46 | SPM-FN.W10-DIN-2 | WASHER | 2 |
| 02-47 | SPM-W06-S04-L1100x1300 | THROTTLE CABLE | 1 |
| 02-48 | SPM-70ND-010018 | THROTTLE LEVER ASSY | 1 |