

PARTS CATALOG

Robin Engine

Model

ER12 (Rammer)

(ER120D47040)

1 CRANKCASE GROUP

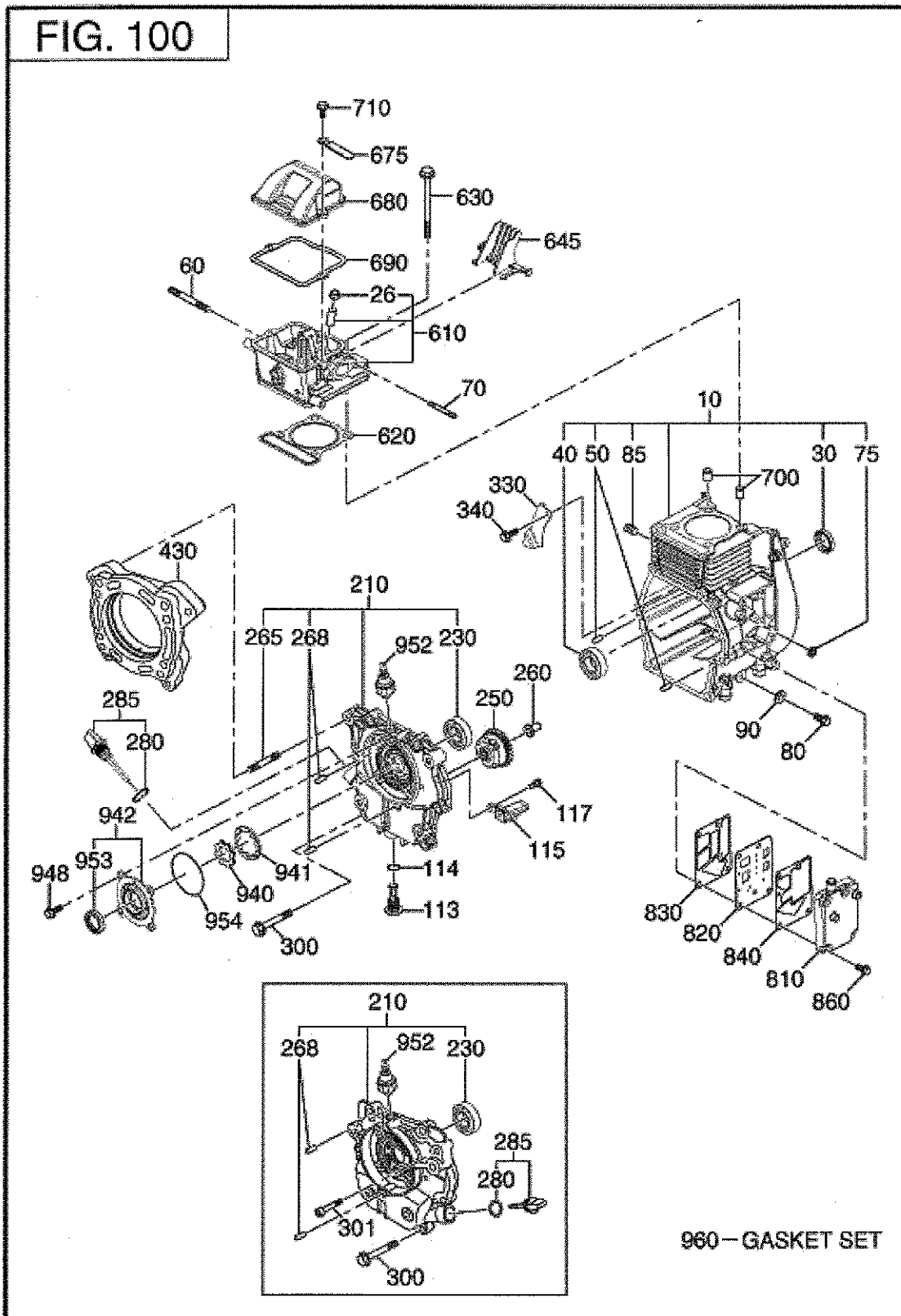


FIG.100

REF	PART NUMBER	PART NAME	CODE NO.	QTY	REMARKS	INTERCHANGE
10	21E-10101-M1	CRANKCASE CP	-	1		
26	20F-16010-01	STEM SEAL	-	1		277-16010-01
30	044-02000-70	OIL SEAL	-	1	200X32DX6B	
40	X60-02002-00	BALL BEARING	-	1		
50	20F-00600-23	DOWEL PIN	-	2	6DX14. 8L	031-00600-20
60	X10-50805-50	STUD	-	2		
70	010-50602-80	STUD	-	2		
75	X44-00800-10	OIL SEAL	-	1	8DX14DX4B	
80	011-00801-50	FLANGE BOLT	-	1	M8X1. 25X16DX12L	
85	040-31400-10	PLUG	-	1		
90	X21-10800-50	GASKET(ALUMINIUM)	-	1		
113	21E-65001-H2	PLUG UN	-	1		
114	024-01100-20	O-RING	-	1		
115	21E-64201-J3	SUCTION PIPE	-	1		
117	X11-00500-30	FLANGE BOLT	-	2		
210	21E-11001-M1	MAINBEARING COVER CP	-	1		
230	X60-02200-30	BALL BEARING	-	1		
250	21E-45001-J1	GOVERNOR GEAR CP	-	1		
260	21E-41901-H3	GOVERNOR SLEEVE	-	1		
265	20F-39085-00	STUD	-	4		001-39085-00
268	20F-00600-23	DOWEL PIN	-	2	6DX14. 8L	031-00600-20
280	X21-31600-30	GASKET	-	1	16DX23DX1. 21 RUBBER	021-31600-20
285	21E-63601-H1	OIL GAUGE CP	-	1		
300	011-00801-60	FLANGE BOLT	-	6	M8X1. 25X16DX55L	
330	21E-17001-J3	OIL SHELTER PLATE	-	1		
340	X11-90500-60	BOLT(SOCKET HEAD)	-	1		
430	21E-13401-H3	ADAPTER(FLANGE)	-	1		
610	21E-13002-K0	CYLINDER HEAD AY	-	1		
620	21E-15001-23	GASKET(HEAD)	-	1		
630	X11-00804-60	FLANGE BOLT	-	4		

FIG.100

REF	PART NUMBER	PART NAME	CODE NO.	QTY	REMARKS	INTERCHANGE
645	21E-18001-H3	GUIDE(S.PLUG)	-	1		
680	21E-15501-H3	ROCKER COVER	-	1		
690	21E-16001-01	GASKET CP(R.COVER)	-	1		
700	20F-15011-03	PIPE KNOCK	-	2		277-15011-03
710	X11-00606-10	FLANGE BOLT	-	2		
810	21E-14301-H3	BREATHER COVER	-	1		
820	21E-14401-H1	BREATHER PLATE CP	-	1		
830	21E-16002-H3	GASKET(B.PLATE)	-	1		
840	21E-16003-H3	GASKET(B.COVER)	-	1		
860	011-00602-30	FLANGE BOLT	-	4		
940	21E-63901-H3	INNER ROTOR	-	1		
941	21E-63902-H3	OUTER ROTOR	-	1		
942	21E-64001-L1	OILPUMP COVER CP	-	1		
948	011-00604-40	FLANGE BOLT	-	4		
952	21E-76301-H1	SWITCH OIL PRESSURE	-	1		
953	044-02000-70	OIL SEAL	-	1	200X320X6B	
954	024-05900-20	O-RING	-	1		
960	21E-99001-07	GASKET SET	-	1		21E-99002-07

2 CRANKSHAFT,PISTON GR

FIG. 200

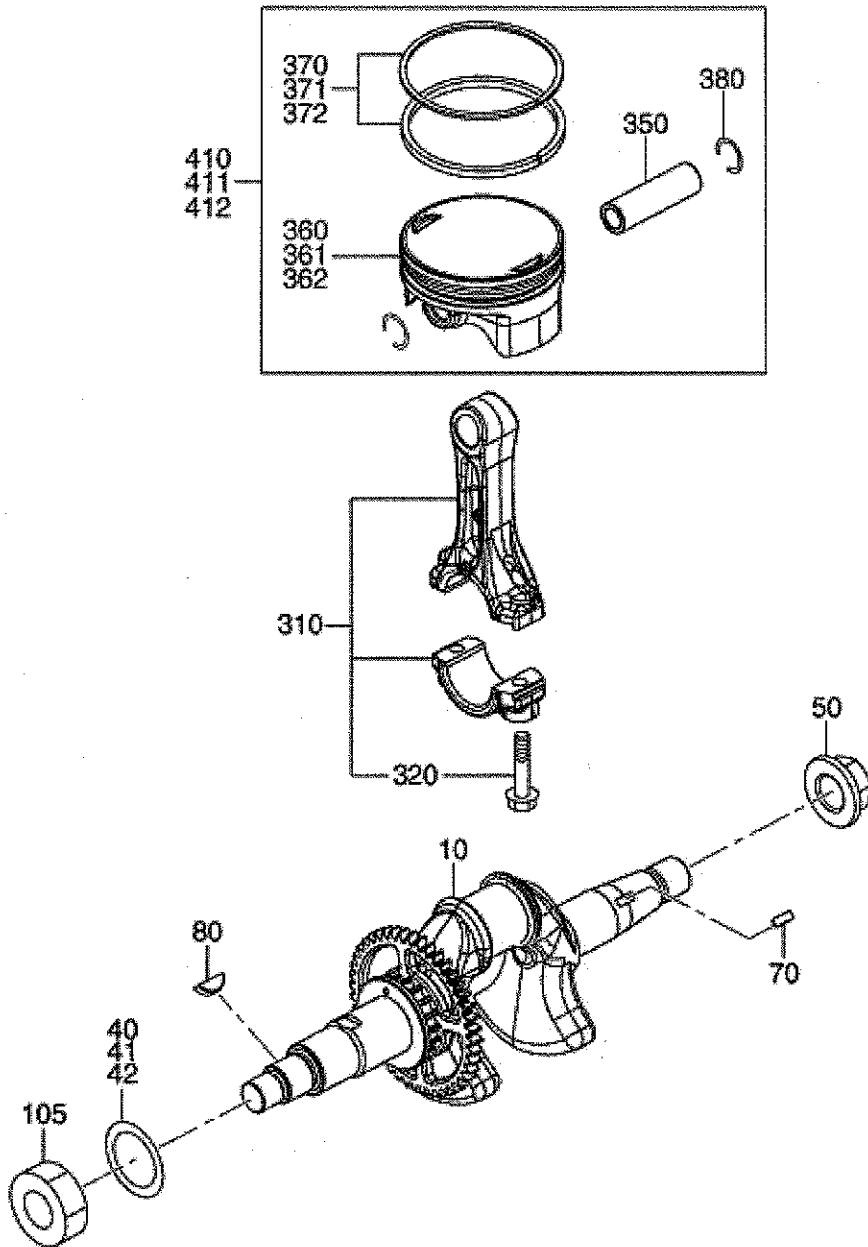


FIG.200

REF	PART NUMBER	PART NAME	CODE NO.	QTY	REMARKS	INTERCHANGE
10	21E-20201-K1	CRANKSHAFT CP	-	1		
40	X23-02201-00	SPACER	-	1		
41	X23-02201-10	SPACER	-	1		
42	X23-02201-20	SPACER	-	1		
50	018-01400-20	FLANGE NUT	-	1	M14X1.5X28DX12H	
70	005-32031-01	WOODRUFF KEY	-	1		
80	005-32042-01	WOODRUFF KEY	-	1		
105	017-31200-10	LOCK NUT	-	1	12DX6HX17B	
310	21E-22501-K0	CONNECTING ROD AY	-	1		
320	20F-23001-03	CONNECTING ROD BOLT	-	2	M5X0.8X25.0L	
350	21E-23301-H3	PISTON PIN	-	1		
360	21E-23401-H3	PISTON	-	1	STD	
361	21E-23402-H3	PISTON 0.25	-	1	0.25 O.S.	
362	21E-23403-H3	PISTON 0.50	-	1	0.50 O.S.	
370	21E-23501-H7	PISTON RING SET	-	1	STD	
371	21E-23502-H7	PISTON RING SET	-	1	0.25 O.S.	
372	21E-23503-H7	PISTON RING SET	-	1	0.50 O.S.	
380	21E-25001-03	CLIP	-	2		
410	21E-27001-H7	PISTON KIT	-	1	STD	
411	21E-27002-H7	PISTON KIT	-	1	0.25 O.S.	
412	21E-27003-H7	PISTON KIT	-	1	0.50 O.S.	

3 INTAKE EXHAUST GROUP

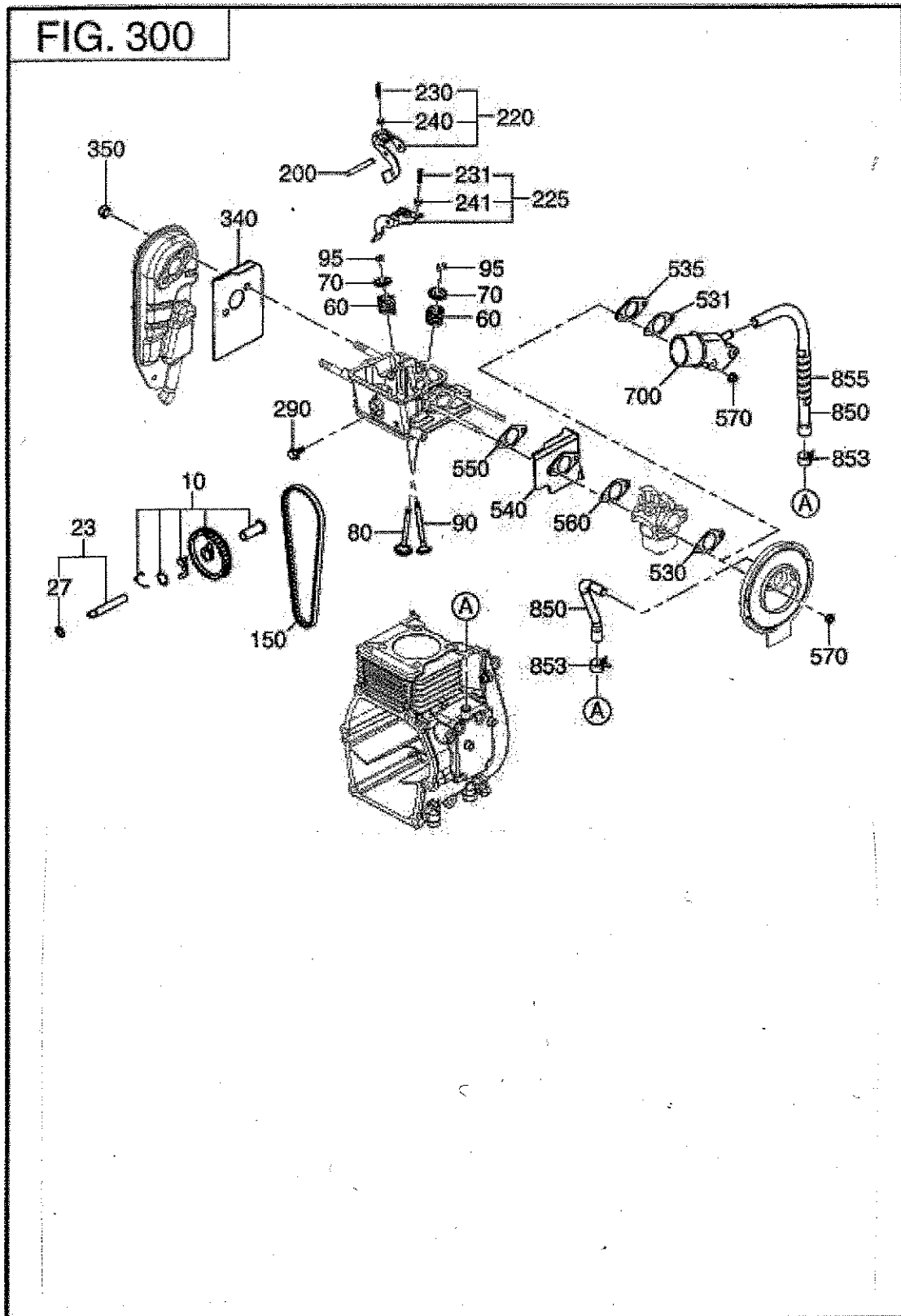


FIG.300

REF	PART NUMBER	PART NAME	CODE NO	QTY	REMARKS	INTERCHANGE
10	21E-31601-R1	CAM PULLEY CP	-	1		
23	21E-35101-J1	PIN(CAM PULLEY)CP	-	1		
27	024-00600-30	O RING	-	1	5. 8DX9. 6D	
60	279-33601-03	VALVE SPRING	-	2	19. 2DX2. 3DX27. 4L	
70	269-33701-03	SPRING RETAINER	-	2		
80	276-33401-H3	INTAKE VALVE	-	1	22DX5. 5DX68L	
90	276-33501-H3	EXHAUST VALVE	-	1	18. 5DX5. 5DX68L	
95	20F-10KA0-31	COLLET-VALVE	-	4		132-10KA0-31
150	21E-35601-03	TIMMING BELT	-	1		
200	277-35004-03	PIN(ROCKER)	-	1		
220	21E-36101-H0	ROCKER ARM IN AY	-	1		
225	21E-36102-H0	ROCKER ARM EX AY	-	1		
230	014-90500-20	ADJUST SCREW	-	1	M5X0. 5X23L	
231	014-90500-20	ADJUST SCREW	-	1	M5X0. 5X23L	
240	017-00500-30	NUT	-	1	M5X0. 5X4. 1H	
241	017-00500-30	NUT	-	1	M5X0. 5X4. 1H	
290	20F-00600-10	FLANGE BOLT	-	1	M6X1. 0X8L	011-00600-10
340	21E-35201-H3	GASKET(MUFFLER)	-	1		
350	017-60800-20	SELF LOCK NUT	-	2	M8X1. 25X13H	
530	284-35902-13	GASKET (INTAKE)	-	1	T=0. 3	
531	284-35902-13	GASKET (INTAKE)	-	1	T=0. 3	
535	21E-37001-H3	PLATE(INTAKE)	-	1		
540	21E-32903-J3	INSULATOR	-	1		
550	282-35901-03	GASKET(INSULATOR)	-	1	T=0. 5 25D 6. 5DX42P	
560	157-35001-03	GASKET (INSULATOR)	-	1	T=0. 3 20D 6. 5DX42P	
570	20F-60600-20	SELF LOCK NUT	-	2		017-60600-20
700	21E-33002-H3	INTAKE PIPE(F)	-	1		
850	21E-16103-H3	RUBBER PIPE	-	1		
853	056-11300-10	HOSE CLAMP	-	1	13. 2DX10BX0. 8T	
855	21E-19001-H3	SPIRAL TUBE	-	1		

3 INTAKE EXHAUST GROUP

FIG. 330

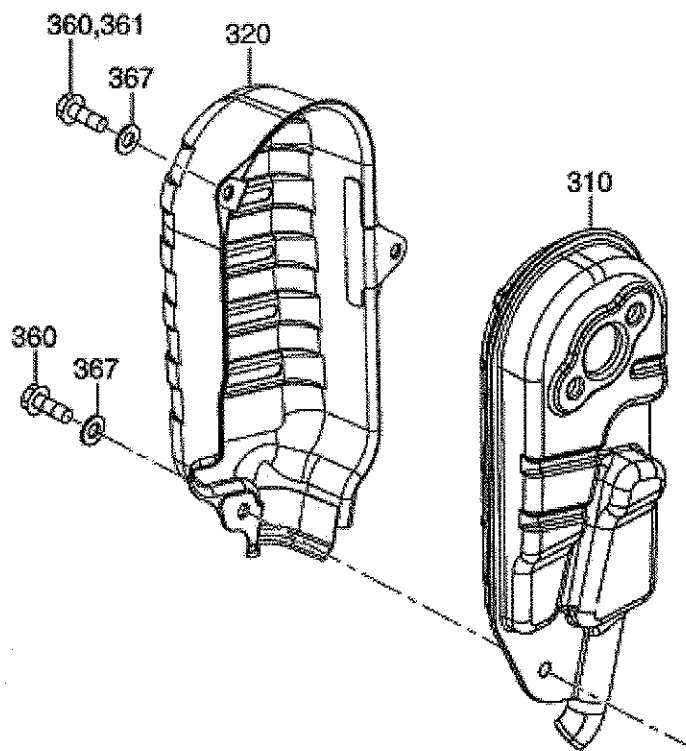


FIG.330

REF	PART NUMBER	PART NAME	CODE NO.	QTY	REMARKS	INTERCHANGE
310	21E-30101-K2	MUFFLER UN	-	1		
320	21E-34201-M2	MUFFLER COVER UN	-	1		
360	X13-00603-30	BOLT AND WASHER AY	-	2		
367	020-00601-20	WASHER	-	2		

4 GOVERNOR, OPERATION G

FIG. 400

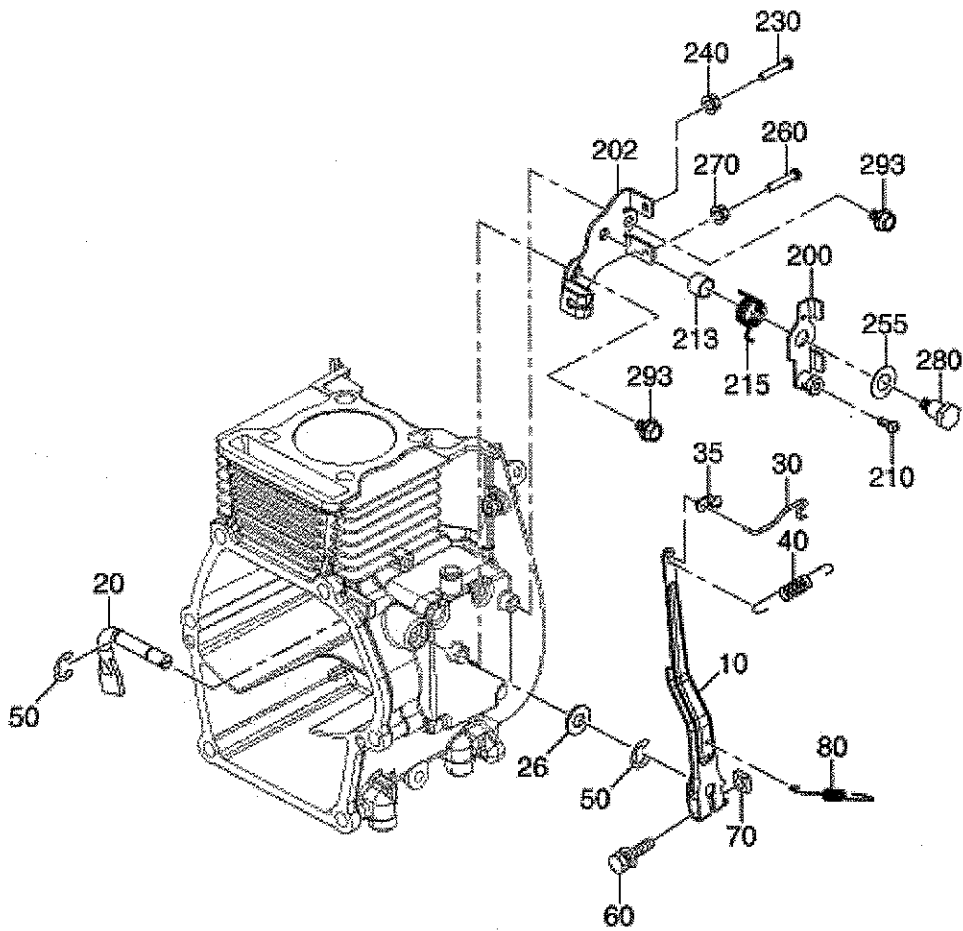


FIG.400

REF.	PART NUMBER	PART NAME	CODE NO.	QTY	REMARKS	INTERCHANGE
10	21E-42301-H3	GOVERNOR LEVER	-	1		
20	21E-42201-J3	GOVERNOR SHAFT	-	1		
26	20F-11080-00	WASHER	-	1		003-11080-00
30	21E-42701-J1	GOVERNOR ROD CP	-	1		
35	284-45601-03	LINKAGE BUSHING	-	1		
40	21E-42801-13	ROD SPRING	-	1		
50	003-13060-00	CLIP	-	2	6DX12DX0.8T	
60	20F-14063-00	BOLT AND WASHER AY	-	1		001-14063-00
70	018-60600-20	NUT	-	1	M6X1.0X4.9H SQUARE	
80	21E-42501-13	GOVERNOR SPRING	-	1		
200	21E-43301-J0	SPEED CONT.LEVER AY	-	1		
202	21E-46002-J1	BASE PLATE CP	-	1		
210	004-31041-40	SCREW,PANHEAD	-	1	M4X0.7X14L	
213	023-01000-40	SPACER	-	1	10.2DX12.2DX9T	
215	226-45003-13	RETURN SPRING	-	1	15.5DX1.6DX9L N=4.5	
230	X14-00501-10	SCREW	-	1		X11-50500-30
240	002-17050-00	NUT	-	1	M5X0.8X4H	
255	021-71000-20	FRICTION WASHER	-	1	10.5DX20DX0.4T NYLON	
260	X14-00501-10	SCREW	-	1		X11-50500-30
270	002-17050-00	NUT	-	1	M5X0.8X4H	
280	226-43103-01	LINK PIVOT CP	-	1		
293	20F-00600-10	FLANGE BOLT	-	2	M6X1.0X8L	011-00600-10

5 COOLING,STARTING GRP

FIG. 500

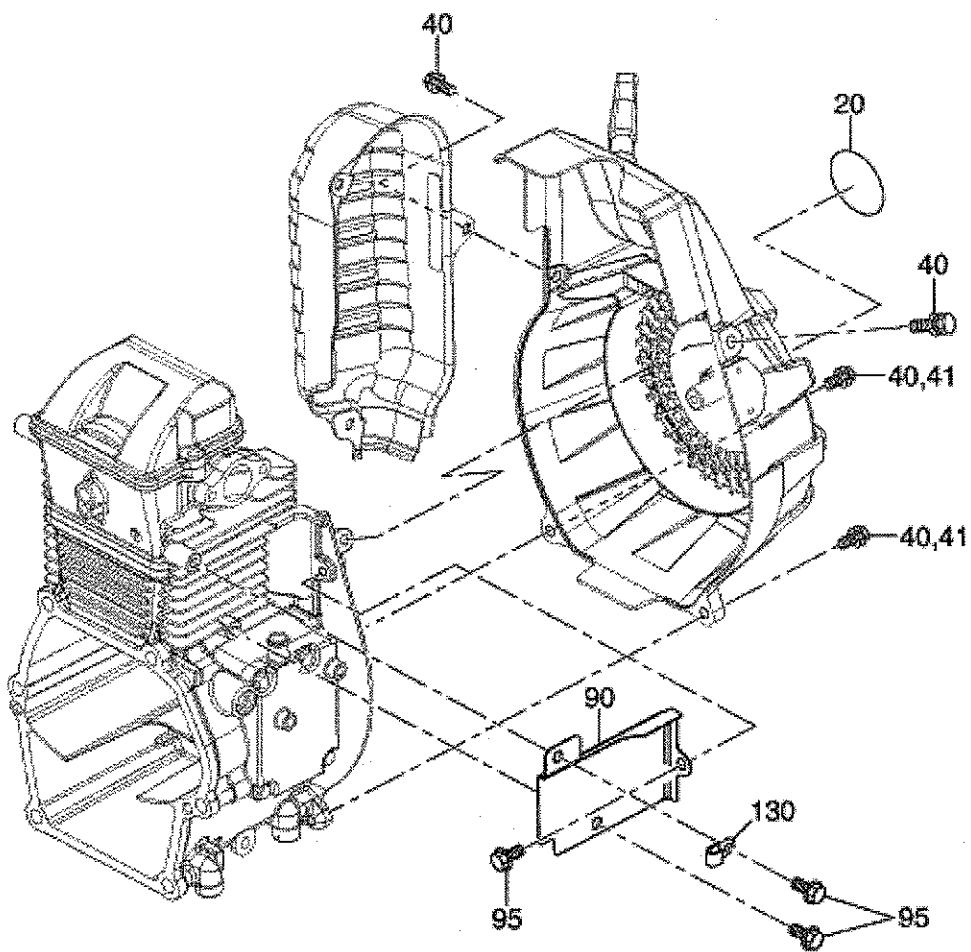


FIG.500

REF.	PART NUMBER	PART NAME	CODE NO.	QTY	REMARKS	INTERCHANGE
20	21E-95101-03	LABEL	-	1	600	
40	X13-00603-40	BOLT AND WASHER AY	-	4		
90	21E-52601-H3	CYLINDER BAFFLE	-	1		
95	20F-00600-10	FLANGE BOLT	-	3	M6X1.0X8L	011-00600-10
130	206-75501-01	CLAMP CP	-	1	1CDXM6X12BX0.6T	

5 COOLING,STARTING GRP

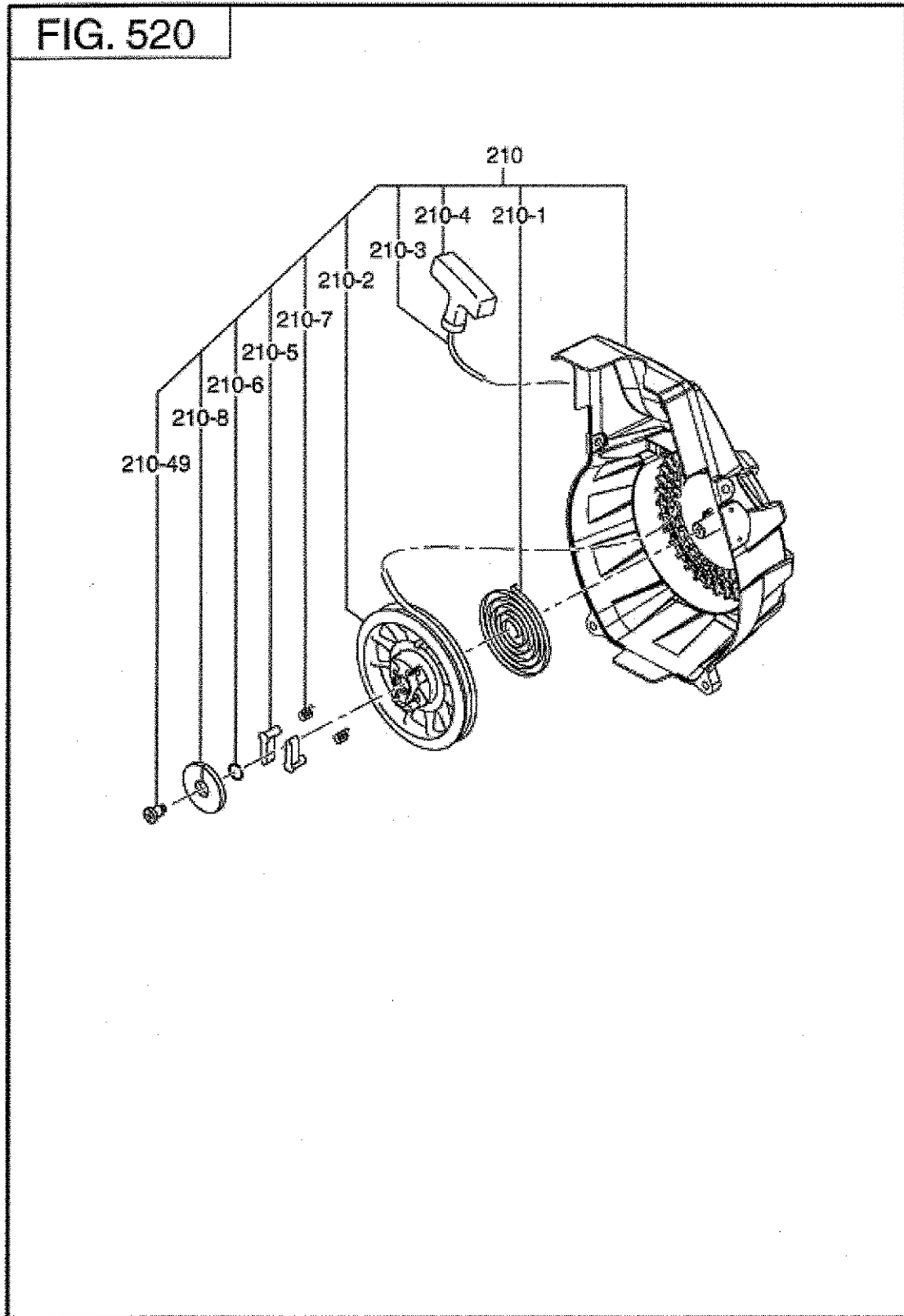


FIG.520

REF.	PART NUMBER	PART NAME	CODE NO.	QTY	REMARKS	INTERCHANGE
210	21E-50201-M0	RECOIL STARTER AY	-	1		
- 1	20F-50115-08	SPIRAL SPRING	-	1		274-50115-08
- 2	21E-50220-18	REEL	-	1		
- 3	21E-50110-08	STARTER ROPE	-	1		
- 4	20F-50100-18	STARTER KNOB	-	1		
- 5	20F-50225-08	RATCHET	-	2		
- 6	274-50131-08	FRICITION SPRING	-	1		
- 7	227-50135-08	RETURN SPRING	-	2		
- 8	21E-50260-08	RATCHET GUIDE	-	1		
-49	20B-50101-08	SET SCREW	-	1		

6 FUEL LUBRICANT GROUP

FIG. 640

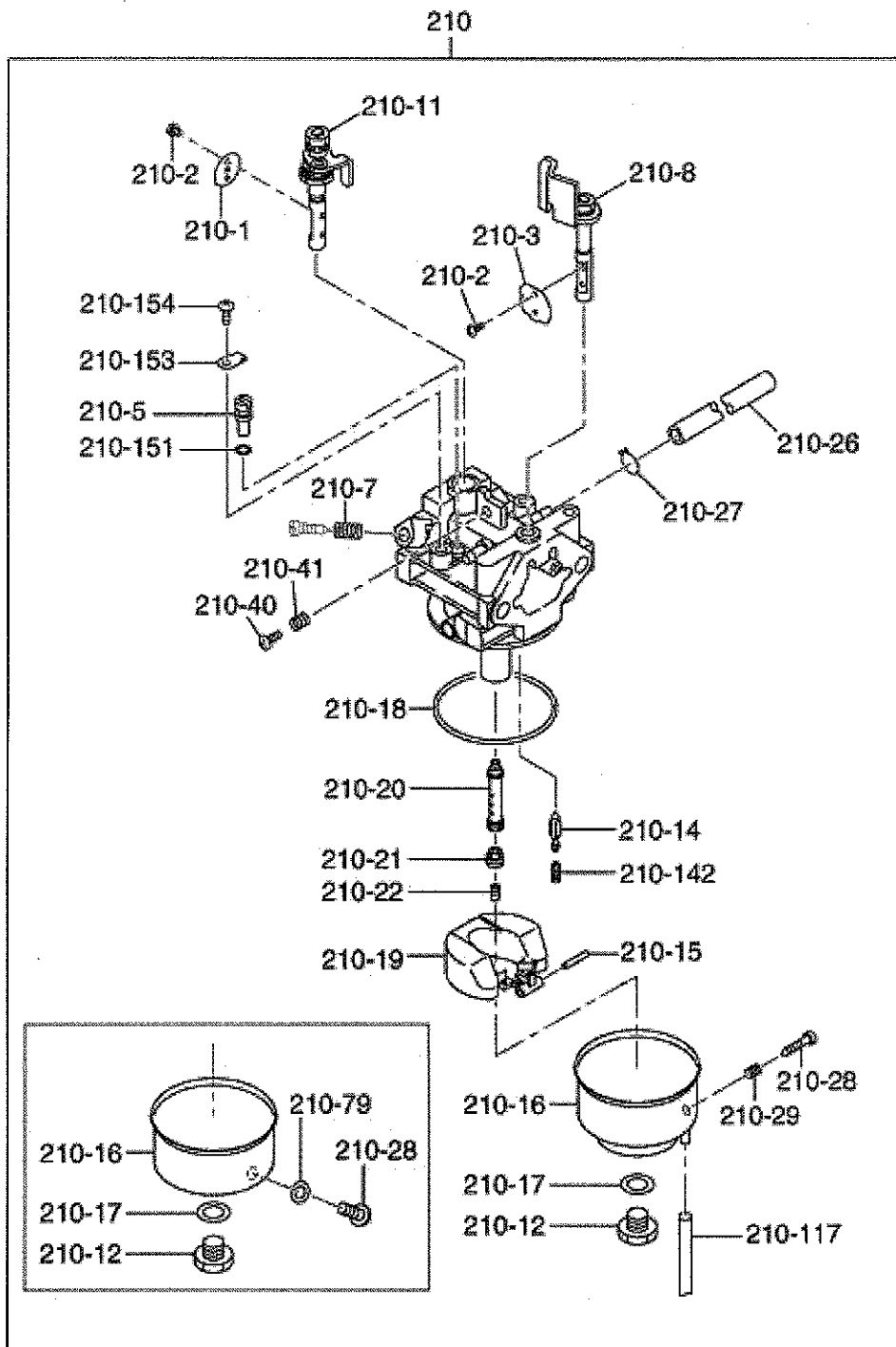


FIG.640

REF	PART NUMBER	PART NAME	CODE NO	QTY	REMARKS	INTERCHANGE
210	21E-62301-J0	CARBURETOR AY	-	1		21E-62301-K0
- 1	106-62535-08	THROTTLE VALVE	-	1		
- 2	237-62451-08	SCREW	-	4		
- 3	236-62528-08	CHOKE VALVE	-	1		
- 5	21E-62420-08	PILOT JET	-	1		
- 7	209-62445-08	SPRING	-	1		
- 8	21E-62520-08	CHOK SHAFT AY	-	1		
- 11	161-62530-08	SHAFT AY (THROTTLE)	-	1		
- 12	236-62451-08	BOLT	-	1		
- 14	161-62352-08	NEEDLE	-	1		
- 15	214-62515-08	PIN	-	1		
- 16	21E-62550-08	FLOAT CHAMBERBODY AY	-	1		
- 17	236-62450-08	PACKING	-	1		
- 18	236-62540-08	PACKING	-	1		
- 19	236-62505-08	FLOAT	-	1		
- 20	21E-62440-08	MAIN NOZZLE	-	1		
- 21	235-62425-08	GUIDE HOLDER	-	1		
- 22	252-62401-08	MAIN JET	-	1		
- 26	21E-62350-08	HOSE	-	1		
- 27	234-62454-08	CLIP	-	1		
- 28	277-62360-08	SCREW	-	1		
- 40	246-62435-08	ADJUST SCREW	-	1		
- 41	230-62446-08	SPRING	-	1		
- 79	236-62541-08	PACKING	-	1		
-142	236-62445-08	SPRING	-	1		
-151	106-62384-08	O-RING	-	1		
-153	293-62350-08	PLATE BV15/312	-	1		
-154	279-62351-08	SCREW	-	1		

7 ELECTRIC DEVICE GR

FIG. 700

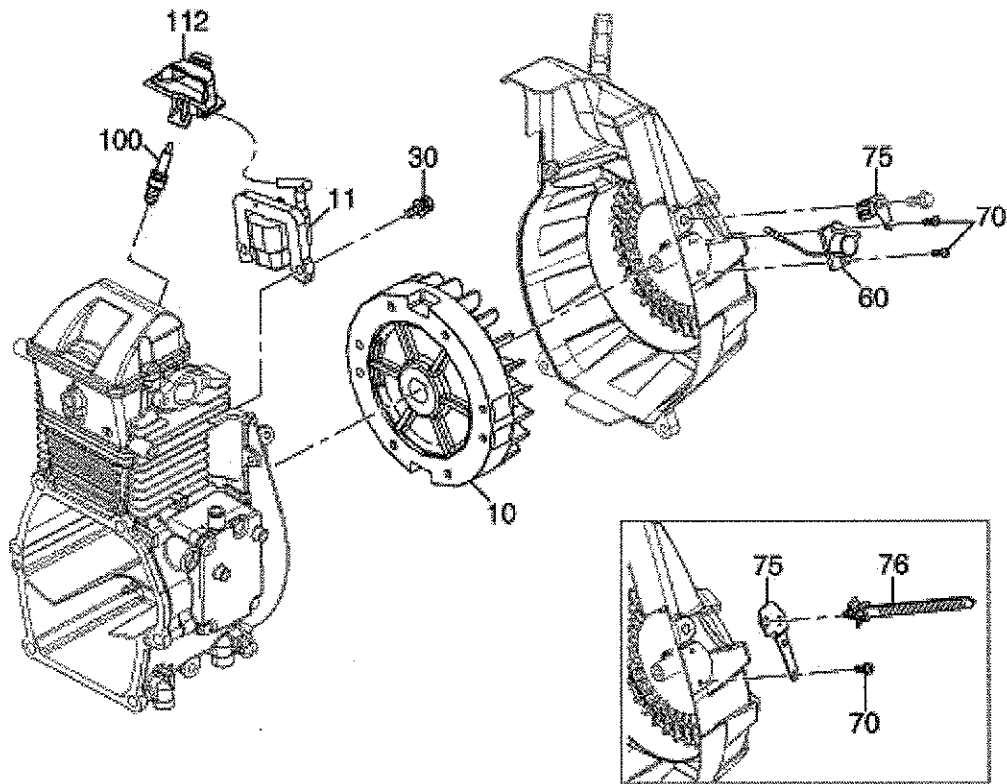


FIG.700

REF.	PART NUMBER	PART NAME	CODE NO.	QTY	REMARKS	INTERCHANGE
10	21E-79230-J1	FLY WHEEL CP	-	1		
11	21E-79430-K1	IGNITION COIL CP	-	1		21E-79430-L1
30	20F-14062-50	BOLT AND WASHER AY	-	2		001-14062-50
70	X13-10401-30	SCREW AND WASHER AY	-	1		
75	21E-76501-H3	PLATE	-	1		
76	056-30001-00	WIRE BAND	-	1		
100	065-01408-60	SPARK PLUG	-	1		
112	21E-75001-J3	SPARKPLUG RUBBER CAP	-	1		

9 ACCESSORIES LABEL

FIG. 900

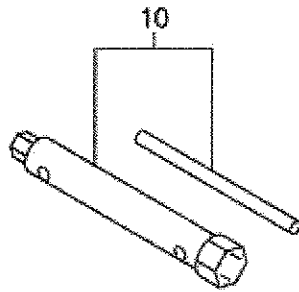


FIG.900

REF	PART NUMBER	PART NAME	CODE NO.	QTY	REMARKS	INTERCHANGE
10	21E-90301-H0	ACCESSORY TOOL KIT	-	1		