



PRECISION CUT 500D

Spare parts

Pièces de rechange

Reservdelar

Spare part's Manual



Manufacturer

Uni-corp Europe S.A.R.L. Paclite Equipment

33 Avenue Pierre Brossolette,
94048 Créteil Cedex,
FRANCE



+33 (0) 1 49 81 69 55



+33 (0) 1 48 98 40 88



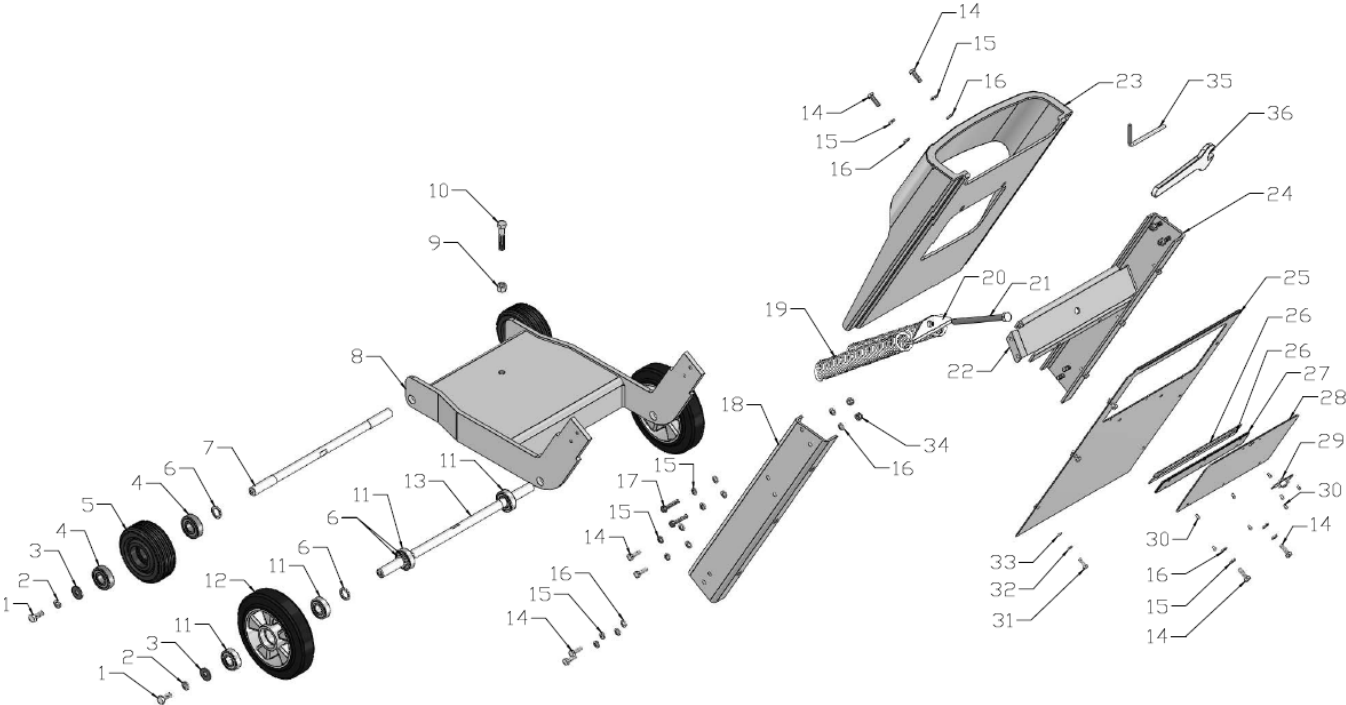
sales@paclite-equip.com



paclite-equip.com



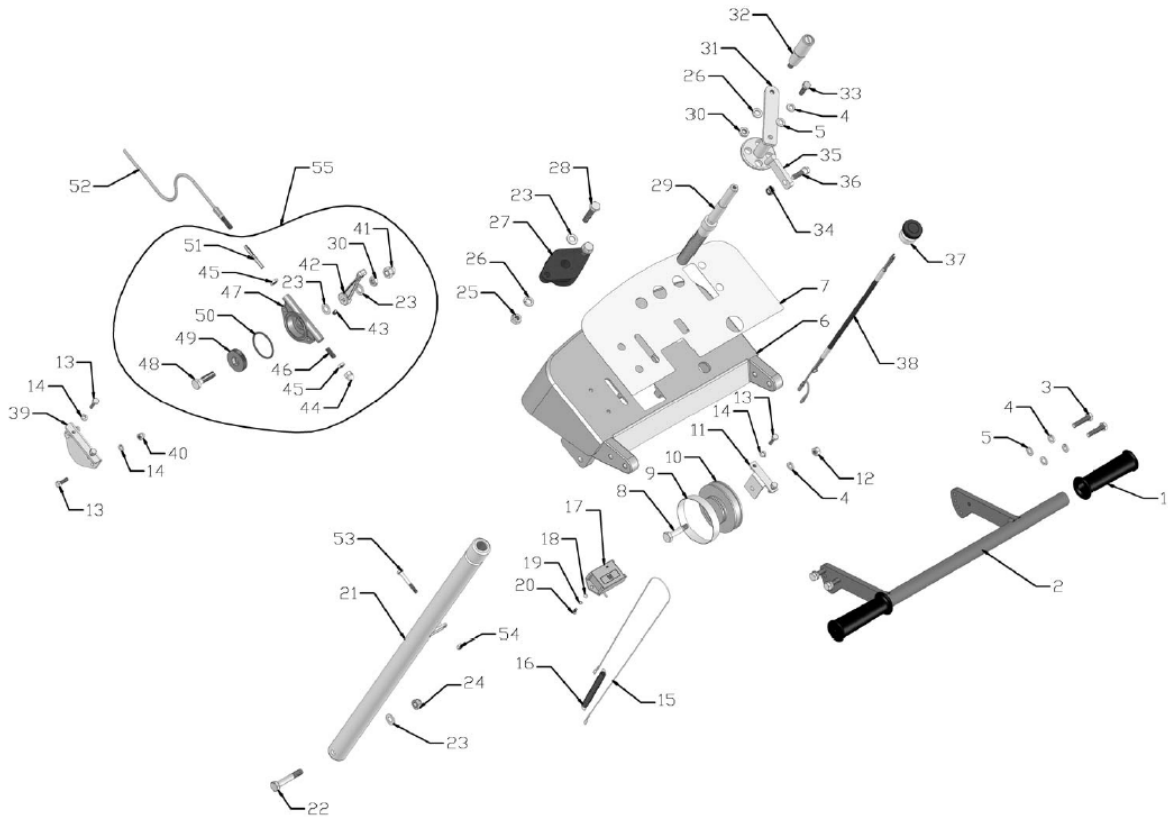
WHEEL FRAME ASSEMBLY



NO.	PART NAME	MATERIAL SPECIFICATION	QTY	REMARKS
01-1	Bolt	M10x25	4	DIN 933
01-2	Spring washer,tang ends	M10	4	DIN127-A
01-3	Large washer	M10	4	GB96.2-2002
01-4	Bearing	6203ZZ HRB	4	
01-5	Front wheel		2	
01-6	Washer	Q235	8	
01-7	Front wheel shaft	Q235	1	
01-8	Wheel bracket	Q235	1	
01-9	Nut	M12	1	DIN934
01-10	Bolt	M12x60	1	DIN 933
01-11	Bearing	6204ZZ	6	SKF
01-12	Rear wheel		2	
01-13	Rear wheel shaft	Q235	1	
01-14	Bolt	M8x25	12	DIN 933
01-15	Spring washer,tang ends	M8	16	
01-16	Washer	M8	16	DIN125-A
01-17	Bolt	M8x30	4	DIN 933
01-18	Left plank		1	
01-19	Spring	65Mn	2	
01-20	Spring hook	Q235	1	
01-21	Bolt	M12x180	1	
01-22	Plank		1	
01-23	Inside support cover	LLDPE	1	

01-24	Right plank		1	
01-25	Main body plank		1	
01-26	Plank	Q235	2	
01-27	Rubber connect patch		1	
01-28	Cover	Q235	1	
01-29	Lock		1	
01-30	Rivet	Φ3.2x7.1	8	
01-31	Bolt	M6x20	6	DIN 933
01-32	Spring washer,tang ends	M6	6	DIN127-A
01-33	Washer	M6	6	DIN125-A
01-34	Lock Nut	M8	4	
01-35	Lock Pin	20#	1	
01-36	Spanner	Q235	1	

OPERATION CONTROL PANEL ASSEMBLY

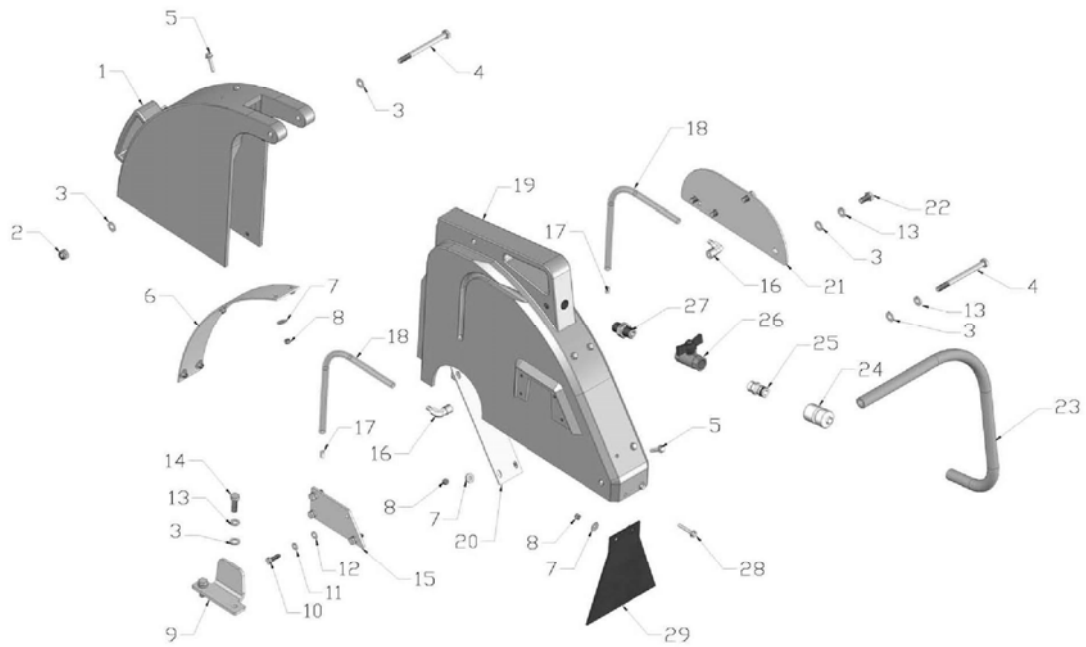


NO.	PART NAME	MATERIAL SPECIFICATION	QTY	REMARKS
02-1	Handle cover		2	
02-2	Handle	Q235	1	
02-3	Bolt	M8x35	4	DIN933
02-4	Spring washer, tang ends	M8	6	DIN127-A
02-5	Washer	M8	5	DIN125-A
02-6	Operation faceplate	ZL104	1	
02-7	Stick paper		1	
02-8	Bolt	Q235	1	
02-9	Stick paper ,depth	J1-BG-228x11	1	
02-10	Show wheel	AL	1	
02-11	Bracket	Q235	1	
02-12	Nut	M8	1	DIN 934
02-13	Bolt	M6x20	8	DIN 933
02-14	Spring washer, tang ends	M6	8	DIN127-A
02-15	Line	Φ1.5x860	1	
02-16	Tension spring		1	
02-17	Speed instrument		1	
02-18	Washer	M4	2	
02-19	Spring washer	M4	2	DIN127-B
02-20	Pan head screw	M4x10	2	GB818-85
02-21	Shaft		1	
02-22	Bolt	M10x60	1	DIN 933
02-23	Washer	M10	5	DIN125-A

02-24	Lock nut	M10	1	DIN982
02-25	Nut	M10	2	DIN 934
02-26	Spring washer,tang ends	M10	3	DIN127-A
02-27	Bearing	UCFL203	1	
02-28	Bolt	M10x45	2	DIN 933
02-29	Screw shaft	45#	1	
02-30	Hexagon thin nut	M10	3	DIN439
02-31	Rocker	Q235-A	1	
02-32	Handle	M10	1	
02-33	Bolt	M8x25	1	DIN 933
02-34	Lock nut	M8	1	DIN982
02-35	Lock pin		1	
02-36	Adjusting bolt	M8	1	
02-37	Safety switch		1	
02-38	Throttle lever support	Q235	1	
02-39	Cap nut	M6	2	DIN1587
02-40	Cap nut	M10	1	DIN1587
02-41	Throttle lever		1	
02-42	Socket screw with flat head	M6x8	1	GB77-2000
02-43	Cap nut	M8	1	DIN1587
02-44	Hexagon thin nut	M8	2	DIN439
02-45	Socket screw with flat head	M8x20	1	GB77-2000
02-46	Throttle body		1	
02-47	Bolt	Q235	1	
02-48	Throttle gear		1	

02-49	O-ring	45x3	1	
02-50	Slider		1	
02-51	Throttle cable	1100x1300	1	
02-52	Bolt	M6x45	1	
02-53	Lock Nut	M6	1	
02-54	Throttle Lever Assy		1	

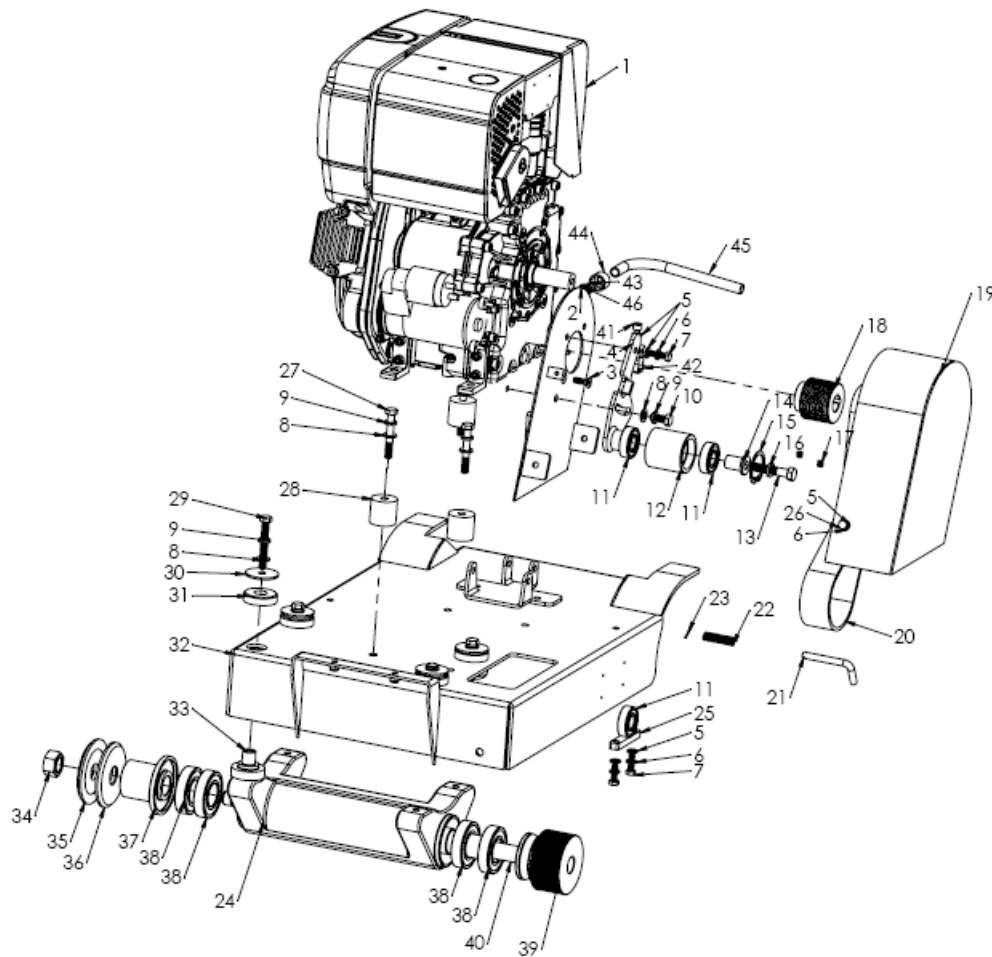
BLADE GUARD ASSEMBLY



NO.	PART NAME	MATERIAL SPECIFICATION	QTY	REMARKS
03-1	Blade guard	ZL104	1	
03-2	Lock nut	M8	1	DIN982
03-3	Washer	M8	9	DIN125-A
03-4	Bolt	M8x100	2	DIN933
03-5	Hexagon flange bolt	M5x30	9	DIN6921
03-6	Underlay	Q235	1	
03-7	Washer	M5	11	GB96.2-2002
03-8	Lock nut	M5	11	DIN982
03-9	Blade guard support	Q235	1	
03-10	Bolt	M6x20	4	DIN 933
03-11	Spring washer, tang ends	M6	4	DIN127-A
03-12	Washer	M6	4	DIN125-A
03-13	Spring washer, tang ends	M8	7	DIN127-A
03-14	Bolt	M8x25	2	DIN 933
03-15	Fixed plate	Q235	1	
03-16	90° elbow	ZG1/4"	2	
03-17	Sprinkle	Cu	2	
03-18	Hose	Φ10x2Tx260mm	2	
03-19	Blade guard	ZL104	1	
03-20	Underlay	Q235	1	
03-21	Connect plate	Q235	1	
03-22	Bolt	M8x16	4	DIN 933
03-23	Hose	1500mm	1	

03-24	Spdde tie-in		1	
03-25	Hose nipple		1	
03-26	Culvert valve	3/8"	1	
03-27	Connector		1	
03-28	Hexagon flange bolt	M5x30	2	DIN6921
03-29	Dust jacket		1	

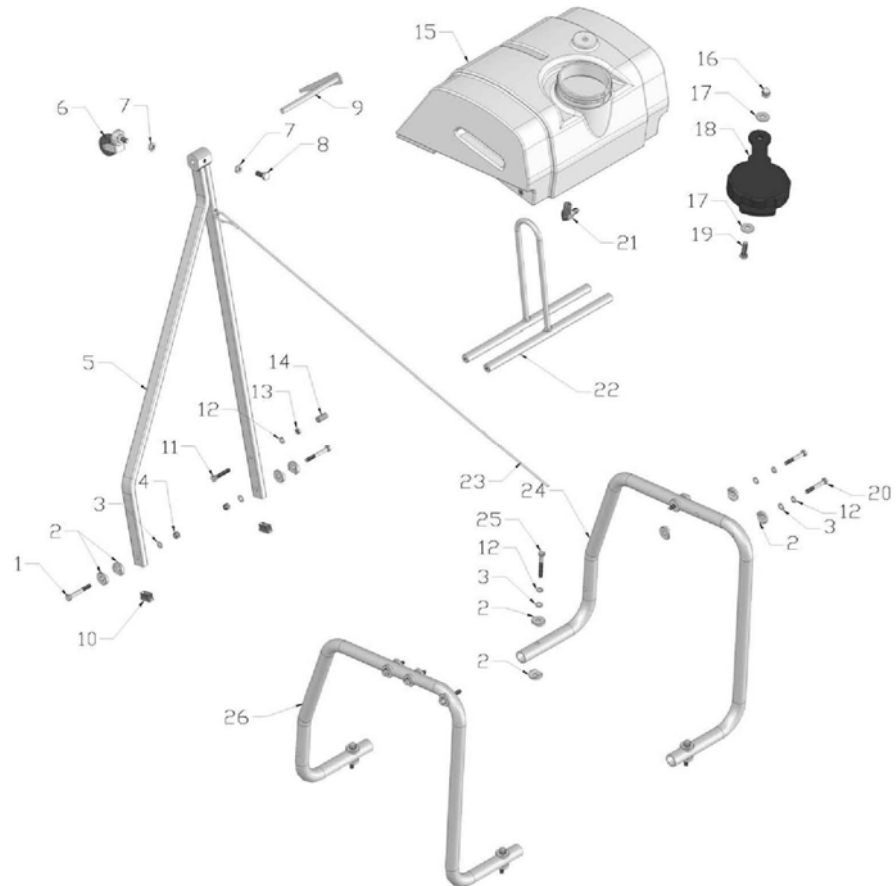
ENGINE BASE ASSEMBLY



NO.	PART NAME	MATERIAL SPECIFICATION	QTY	REMARKS
04-1	HATZ ENGINE	1B40-9	1	
04-2	Belt Cover	Q235	1	
04-3	Counter Sink Bolt		1	
04-4	Idler Bracket	Q235	1	
04-5	Washer	M8	9	
04-6	Spring Washer Tang Ends	M8	7	
04-7	Bolt	M8X25	3	
04-8	Washer	M10	10	
04-9	Spring Washer Tang Ends	M10	10	
04-10	Bolt	M10X25	1	
04-11	Bearing	6204ZZ-G	4	
04-12	Idler	Q235	1	
04-13	Bolt	M12X60	1	
04-14	Bearing Bush	Q235	1	
04-15	Internal Circlip	CH.RG47	1	
04-16	Spring Washer Tang Ends	M 12	1	
04-17	Socket Screw	M8X8	2	
04-18	PTO Pulley	Q235	1	
04-19	V Belt cover	Q235	1	
04-20	Belt	Pk900	1	
04-21	Brake Bar	Q235	1	
04-22	Spring	19.0.033	1	
04-23	Split Pin	1.6X20	1	
04-24	Spindle Mount	ZL106	1	

04-25	Bearing Support bar	Q235	2	
04-26	Bolt	M8X12	2	
04-27	Bolt	M10X70	4	
04-28	Engine Support	Q235	1	
04-29	Bolt	M10X75	4	
04-30	Washer	Q235	1	
04-31	Shock Mount A	Rubber	4	
04-32	Engine Base	Q235	1	
04-33	Shock Mount B	Rubber	4	
04-34	Nut		1	
04-35	Arbor Left	Q235	1	
04-36	Arbor Right	Q235	1	
04-37	Bearing Cover L	Q235	1	
04-38	Bearing	6207-2Z	4	
04-39	Driven Pulley	Q235	1	
04-40	Drive Shaft	42Crmo4	1	
04-41	Bolt	M10	1	
04-42	Drain Support		1	
04-43	Drain knob	Brass	1	
04-44	Drain Connector	Brass	1	
04-45	Hose	400 mm	1	
04-46	O ring		2	

WATER TANK ASSEMBLY



NO.	PART NAME	MATERIAL SPECIFICATION	QTY	REMARKS
05-1	Bolt	M8x65	2	DIN 933
05-2	Arc washer	Q235	22	
05-3	Washer	M8	12	DIN125-A
05-4	Lock nut	M8	2	DIN982
05-5	Leading pole		1	
05-6	Myriad wheel		1	
05-7	Hexagon thin nut	M10	2	DIN439
05-8	Bolt	M10x25	1	DIN 933
05-9	Pointer		1	
05-10	Cover	LDPE	2	
05-11	Bolt	M8x45	1	DIN 933
05-12	Spring washer,tang ends	M8	11	DIN127-A
05-13	Hexagon thin nut	M8	1	DIN439
05-14	Rubber bush		1	
05-15	Water tank	LLDPE	1	
05-16	Cap nut	M10	1	DIN1587
05-17	Large washer	M10	2	GB96.2-2002
05-18	Water tank cap		1	
05-19	Bolt	M10x35	1	DIN933
05-20	Bolt	M8x55	6	DIN 933
05-21	Water tank tir-in	Cu	1	
05-22	Hook		1	

05-23	Line	L=2500	1	
05-24	Right plank	Q235	1	
05-25	Bolt	M8x60	4	DIN 933
05-26	Left plank	Q235	1	
05-27	Front board	Plastics	1	
05-28	Button	65Mn	1	
05-29	Button		1	

NOTES

