



- Drive System ..... 2
- Bladeguard Assembly ..... 3
- Flange Assembly ..... 4
- Clutch Assembly ..... 6
- Handle Assembly ..... 7
- Control System ..... 8
- Air Filter Assembly ..... 10
- Carburetor Assembly ..... 12
- Recoil Assembly ..... 13
- Ignition Assembly ..... 15
- Cylinder Assembly ..... 16
- Muffler Assembly ..... 18
- Crankshaft Assembly ..... 19
- Crankcase Assembly ..... 20
- Wet Cutting Kit ..... 21

**Quick Reference Service Filters, Belts and Overhaul Kits**

<b>Part Number</b>	<b>Description</b>	<b>Qty. Req</b>
92001-01000003	V-Belt	1
92001-05000002	Foam Air Filter Element	1
92001-05010100	Paper Air Filter Element	1
T4106	Spark Plug	1
	Overhaul Kit	
Includes the following:		1
92001-09000001	Cylinder	1
92001-10000003	Gasket	1
92001-11000001	Wrist Pin	1
92001-11000002	Retaining Ring	2
92001-11010001	Piston	1
92001-11010002	Piston Ring	2
92001-11020100	Needle Bearing	1

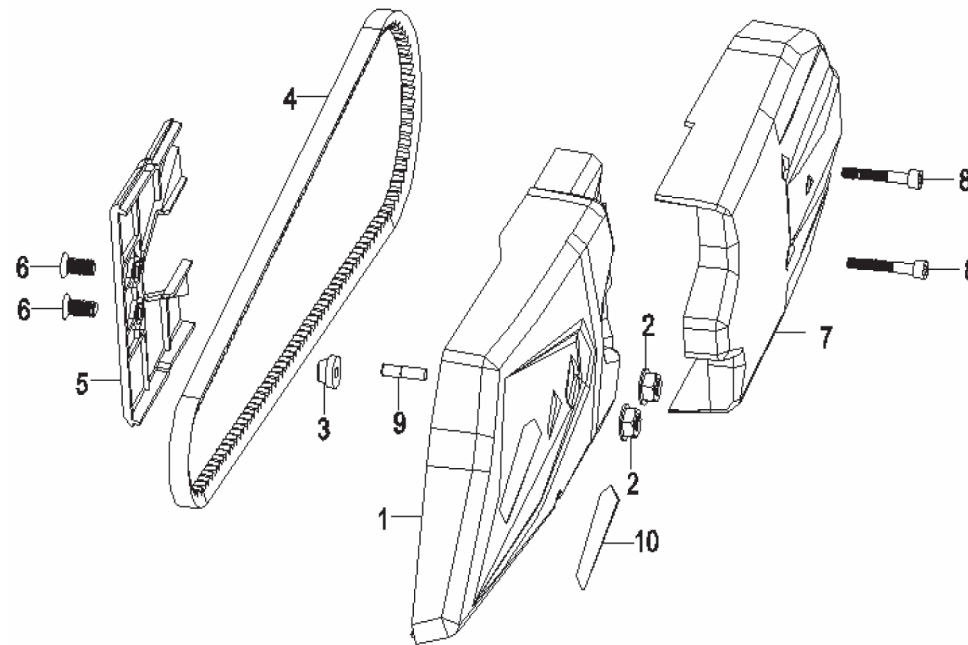


Diagram Number	Part Number	Description	Quantity Required
1	92001-01000001	Back Cover, Cutting Arm	1
2	FH6183.1-08-8	Flange Nut	2
3	92001-01000002	Grommet	1
4	92001-01000003	V-Belt	1
5	92001-01000004	Belt Cover	1
6	FH819.2-0514-88H	Bolt	2
7	92001-01000005	Right Belt Cover	1
8	FH70.1-0530-129	Bolt	2
9	92001-01000006	Pin	1
10	92001-17000001	Decal, Model Number	1

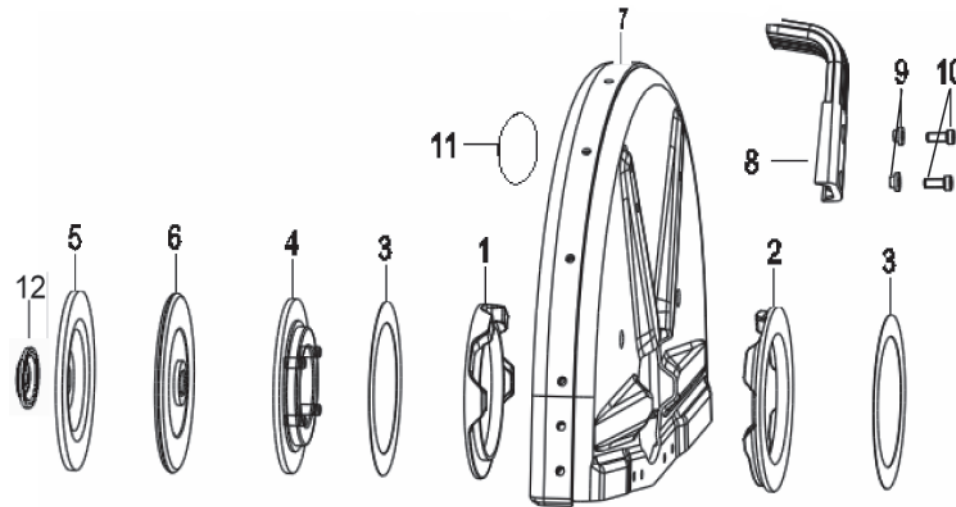


Diagram Number	Part Number	Description	Quantity Required
1	92001-01010001	Left Rubber Washer	1
2	92001-01010002	Right Rubber Washer	1
3	92001-01010003	Washer	2
4	92001-01010004	Guard Flange	1
5	92001-01010009	Outside Flange	1
6	92001-01010010	Inside Flange	1
7	92001-01010100	Blade Guard Complete	1
8	92001-01010011	Adjustment Handle	1
9	92001-01010012	Spacer	2
10	FH70.1-0512-129	Bolt	2
11	92001-17000007	RPM Decal	1
12	92001-01010013	Bushing	1

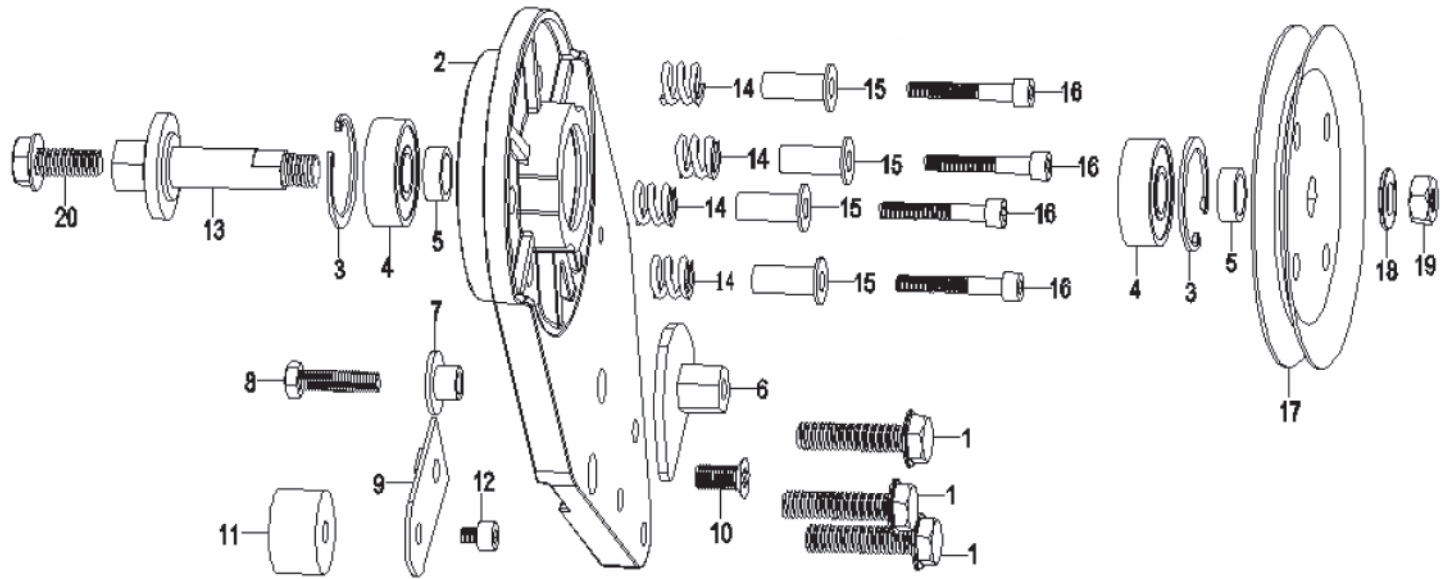


Diagram Number	Part Number	Description	Quantity Required
1	FH5789-0835-88	Hex Flange Bolt	3
2	92001-01010201	Cutting Arm, Front	1
3	FH893.1-32-65Mn	Clamp	2
4	6201	Ball Bearing, Cutting Arm	2
5	92001-01010007	Bushing	2
6	92001-01010202	Belt Tensioner	1
7	92001-01010203	Spacer	1
8	FH5783-0625-88	Screw	1
9	92001-01010204	Bracket	1
10	FH819.2-0616-88H	Bolt	1
11	92001-01010205	Rubber Washer	1
12	FH70.1-068-129	Bolt	1

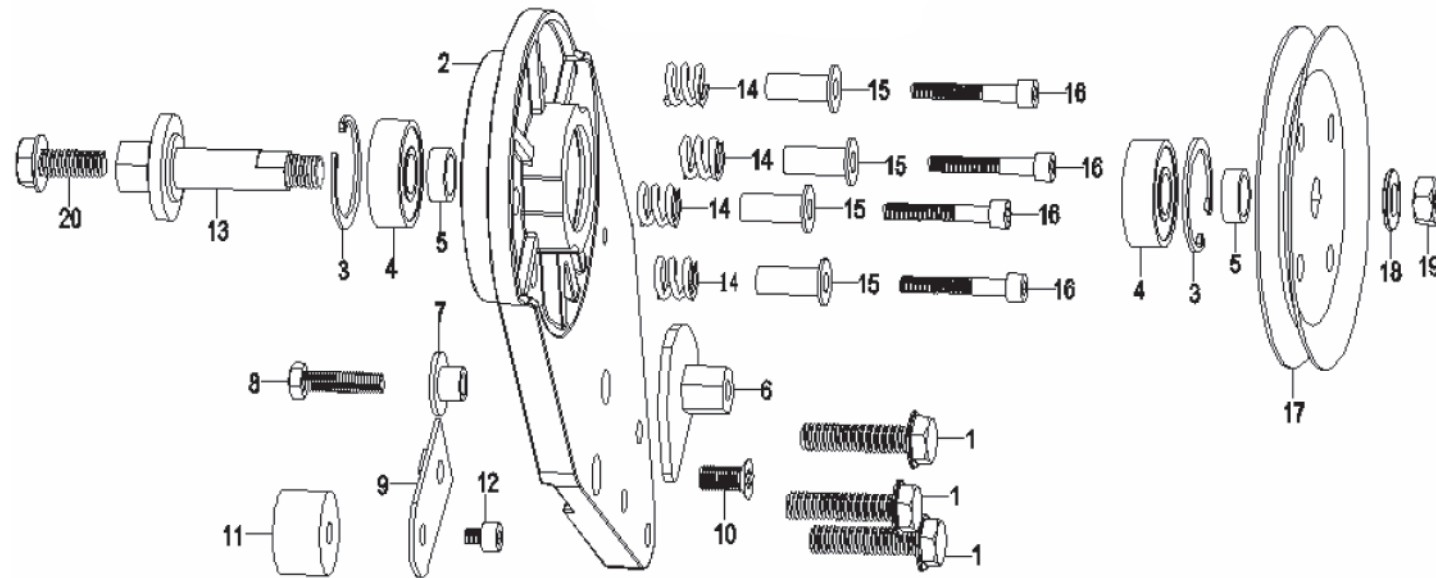


Diagram Number	Part Number	Description	Quantity Required
13	92001-01010206.01	Shaft, Front Cutting Arm	1
14	92001-01010005	Spring	4
15	92001-01010006	Spacer	4
16	FH70.1-0630-129	Bolt	4
17	92001-01010008	Pulley	1
18	FH848-12-200	Washer	1
19	C0210-19	Nut	1
20	DC5789-0820-88	Screw	1

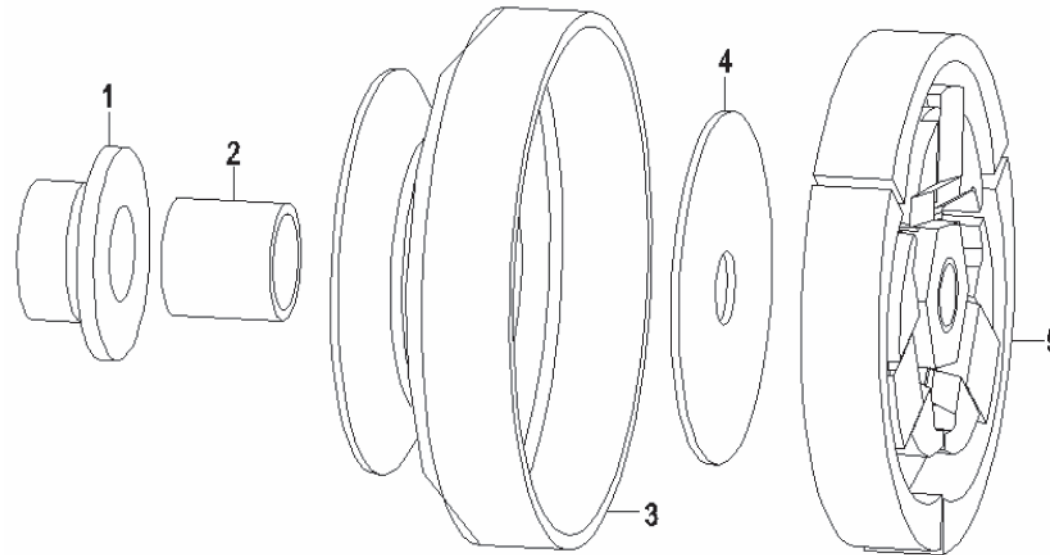


Diagram Number	Part Number	Description	Quantity Required
1	92001-02000001	Spacer	1
2	92001-02000002	Bushing	1
3	92001-02010000	Clutch Drum	1
4	CP10-48	Clutch Washer	1
5	92001-02020000	Centrifugal Clutch Assembly	1



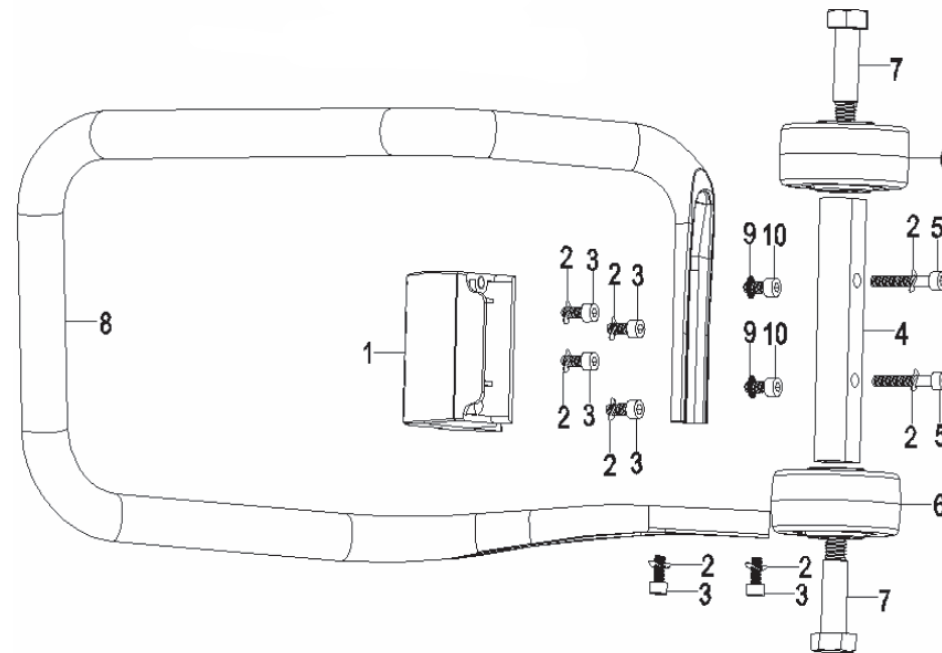


Diagram Number	Part Number	Description	Quantity Required
1	92001-03000001	Bracket	1
2	FH860-06-65Mn	Washer	8
3	FH70.1-0620-129	Bolt	6
4	92001-03000002	Roller Shaft	1
5	FH70.1-0630-129	Bolt	2
6	92001-03000003	Roller	2
7	C0110-50	Roller Screw	2
8	92001-03000004	Handle	1
9	CC06-10	Washer	2
10	FH70.1-0616-129	Bolt	2



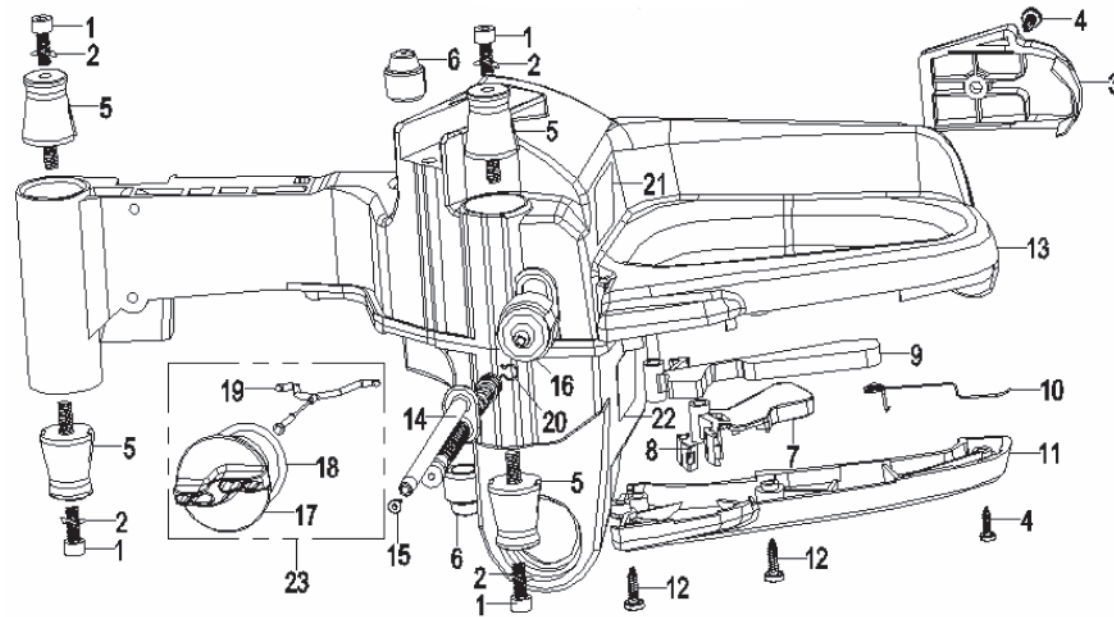


Diagram Number	Part Number	Description	Quantity Required
13	92001-04020000	Tank Complete	1
14	92001-04000004	Fuel Line	1
15	92001-04000005	Tank Vent	1
16	92001-04020300.02	Fuel Filter	1
17	92001-04030001	Gas Cap	1
18	92001-04030002	O-Ring	1
19	92001-04030003	Pot Hook	1
20	92001-04000006	Fuel Line Clamp	1
21	92001-17000004	Engine Specs Decal	1
22	92001-17000006	Serial Number Decal	1
23	92001-04030000	Gas Cap Complete	1

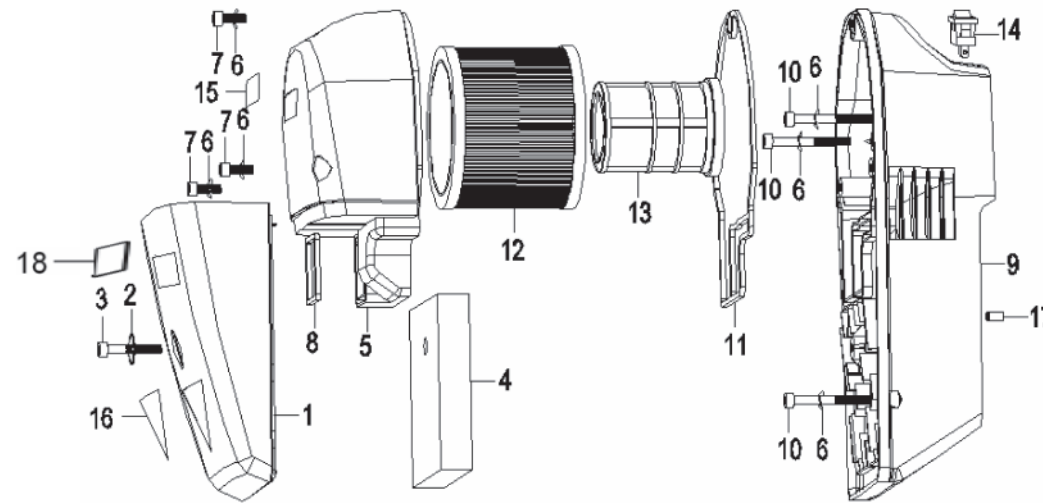


Diagram Number	Part Number	Description	Quantity Required
1	92001-05000001	Front Air Filter Cover	1
2	FH5287-05-100	Washer	1
3	FH70.1-0540-129	Bolt	1
4	92001-05000002	Foam Air Filter Element	1
5	92001-05000003	Rear Air Filter Cover	1
6	FH860-05-65Mn	Washer	6
7	FH70.1-0518-129	Bolt	3
8	92001-05000004	Seal	1
9	92001-05000005	Filter Mounting Cover	1
10	FH70.1-0565-129	Bolt	3
11	92001-05000006	Seal	1
12	92001-05010100	Paper Air Filter Element	1

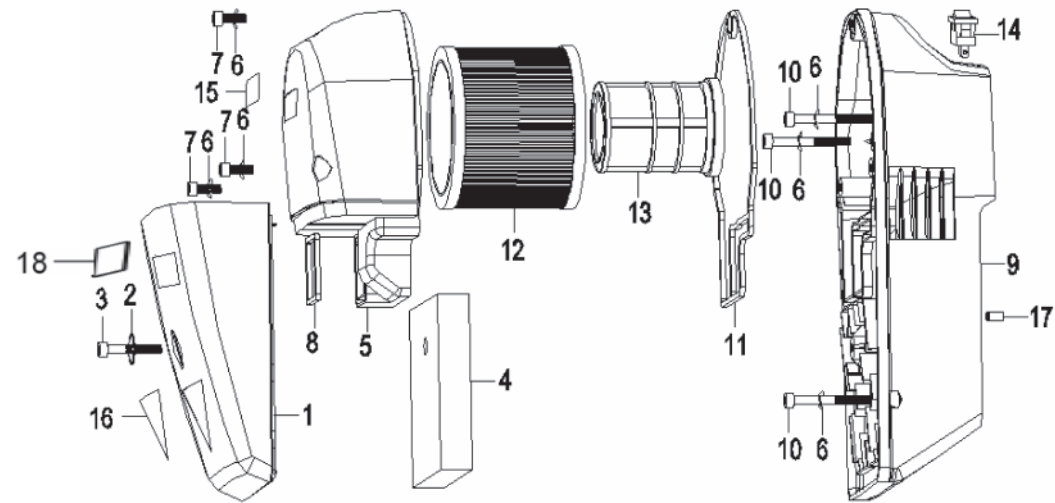


Diagram Number	Part Number	Description	Quantity Required
13	92001-05010200	Safety Filter	1
14	92001-05020000	Stop Switch	1
15	92001-17000003	Start procedure Decal	1
16	92001-17000002	Warning Decal	1
17	92001-05000011	Grommet	1
18	92001-17000004	Decal	1

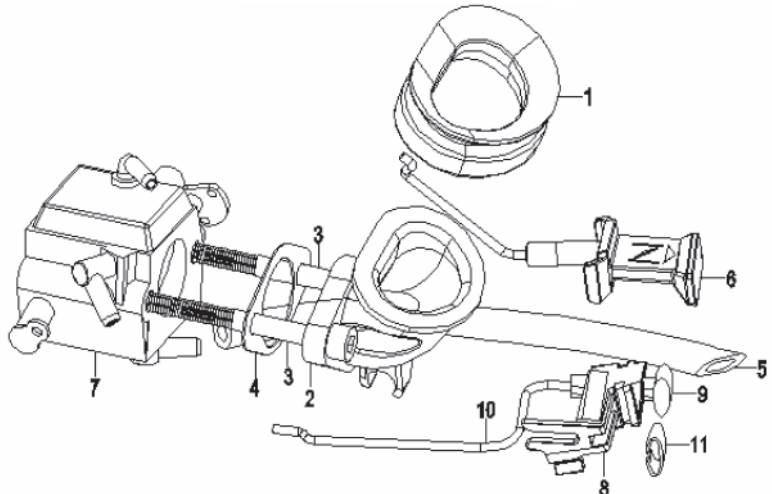


Diagram Number	Part Number	Description	Quantity Required
1	92001-08000001	Rubber Seal	1
2	92001-08000002	Intake Manifold	1
3	FH70.1-0555-129	Bolt	2
4	92001-08000003	Gasket	1
5	92001-08000004	Breather Hose	1
6	92001-08000005	Choke	1
7	HDA-232B	Carburetor Assembly	1
8	92001-05000007	Throttle Linkage Holder	1
9	92001-05000008	Throttle Bushing	1
10	92001-05000009	Throttle Rod	1
11	92001-05000010	Throttle Spring	1

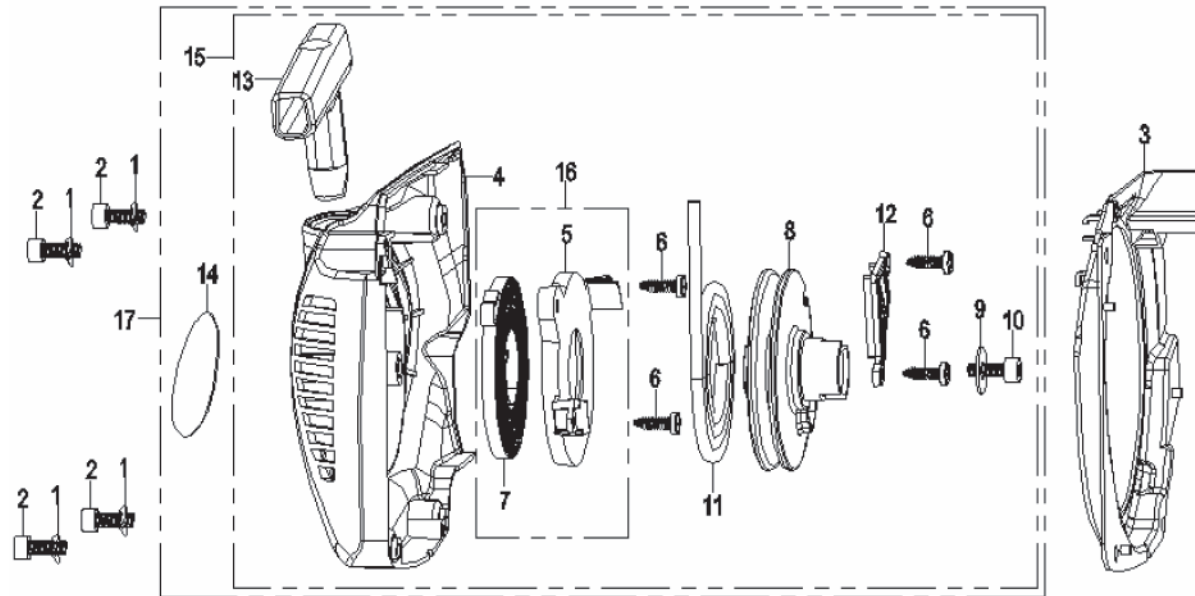


Diagram Number	Part Number	Description	Quantity Required
1	FH860-05-65Mn	Washer	4
2	FH70.1-0514-129	Bolt	4
3	92001-06000001	Air Conductor	1
4	92001-06010001	Starter Cover	1
5	92001-06010002	Recoil Spring Mount	1
6	FH845-3.513-CH	Screw	
7	92001-06010003	Recoil Spring	1
8	92001-06010004	Starter Pulley	1
9	CP06-16.5	Washer	1
10	FH70.1-0612-129	Bolt	1
11	92001-06010005	Starter Rope	1
12	92001-06010006	Baffle	1

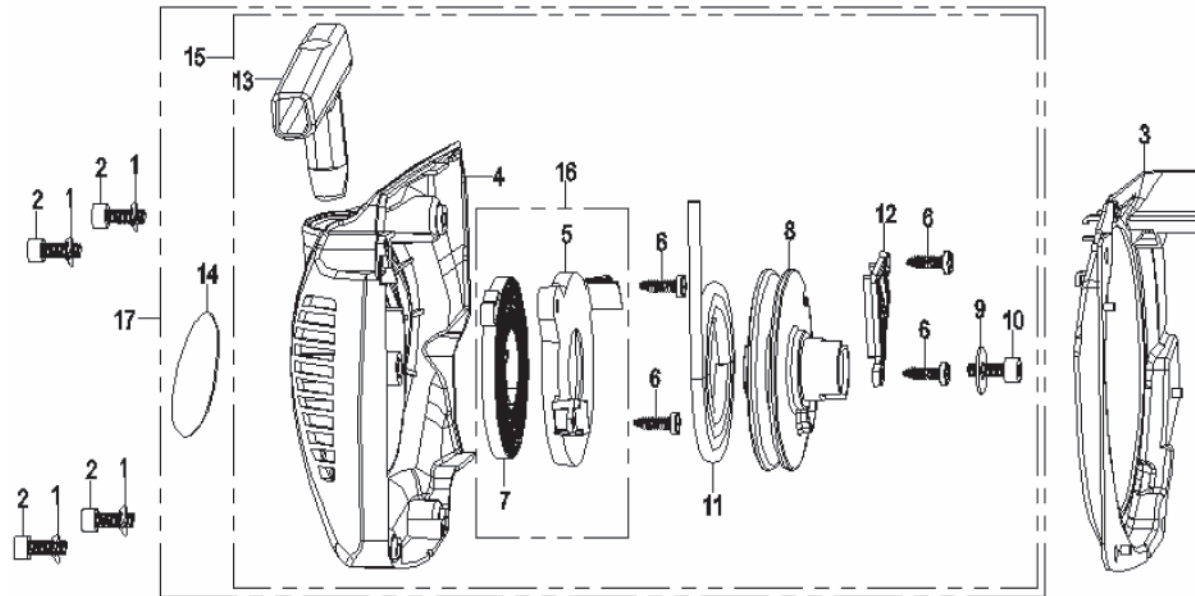


Diagram Number	Part Number	Description	Quantity Required
13	92001-06010007	Starter Handle	1
14	92001-17000001	Model Number Decal	1
15	92001-06010000	Starter Assembly	1
16	92001-06010100	Recoil Assembly	1
17	92001-06010000.02	Starter Assembly With Label	1



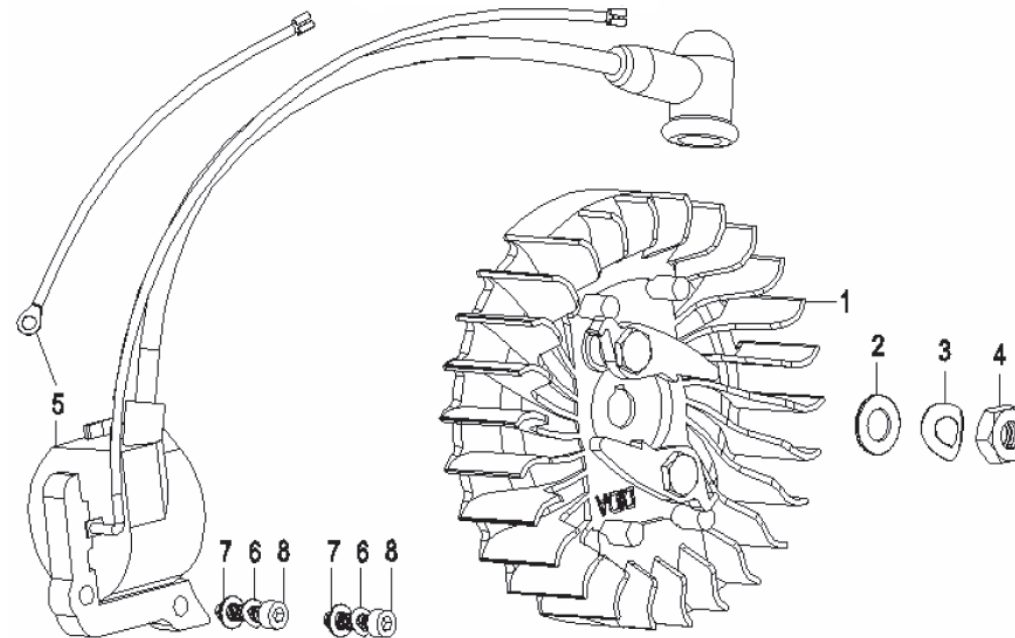


Diagram Number	Part Number	Description	Quantity Required
1	FH860-05-65Mn	Flywheel Assembly	1
2	FH848-08-200	Washer	1
3	FH860-08-65Mn	Washer	1
4	FH6176-08-8	Nut	1
5	92001-07020000.02	Ignition Assembly	1
6	FH860-04-65Mn	Washer	2
7	FH848-04-200	Washer	2
8	FH70.1-0420-129	Bolt	2

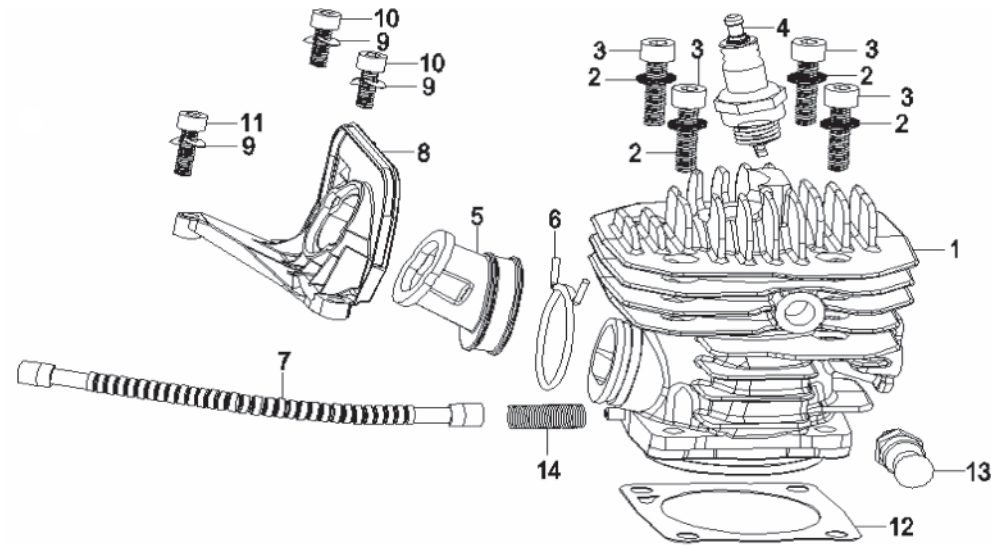


Diagram Number	Part Number	Description	Quantity Required
1	92001-09000001	Cylinder	1
2	CC06-10	Washer	4
3	FH70.1-0625-129	Bolt	4
4	T4106	Spark Plug	1
5	92001-09000002	Intake Manifold	1
6	92001-09000003	Clamp	1
7	92001-09000004	Cylinder Breather House	1
8	92001-09000005	Holder	1
9	FH860-05-65Mn	Washer	3
10	FH70.1-0514-129	Bolt	2
11	FH70.1-0516-129	Bolt	1
12	92001-09000006	Gasket	1

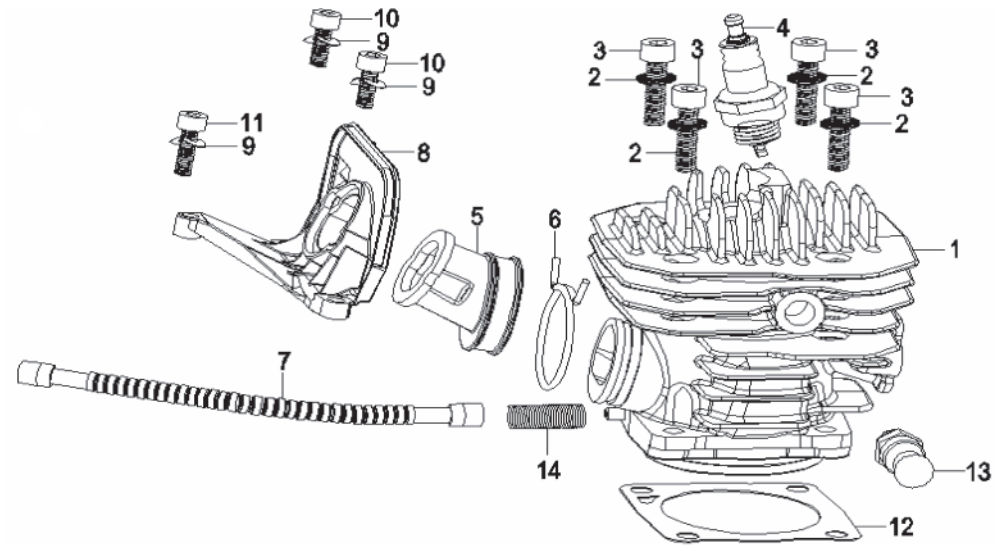


Diagram Number	Part Number	Description	Quantity Required
13	92001-09010000	Decompression Valve	1
14	92001-09000007	Spring	1

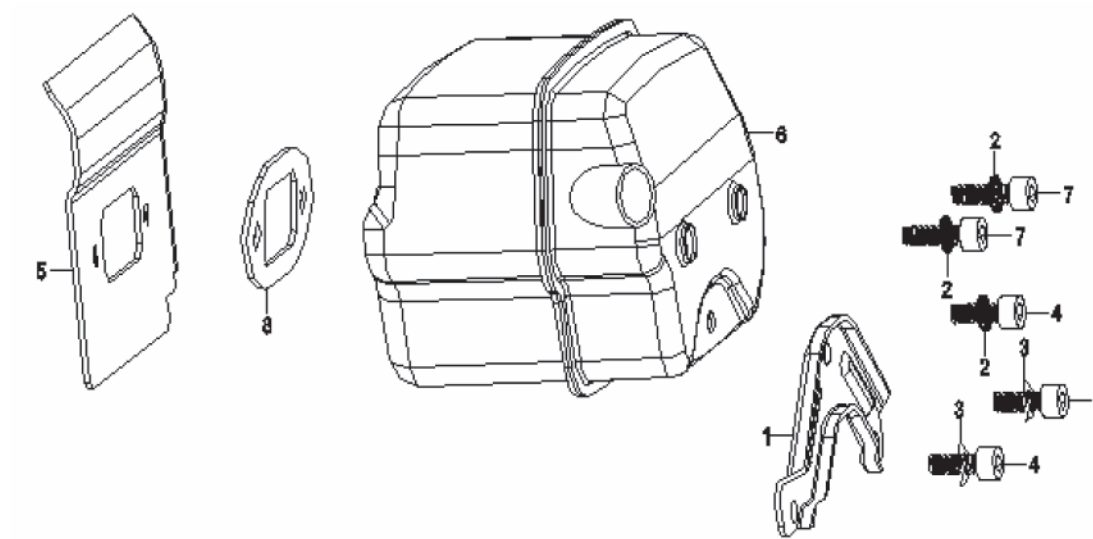


Diagram Number	Part Number	Description	Quantity Required
1	92001-10000001	Holder	1
2	CC05-09	Washer	4
3	FH860-05-65Mn	Washer	2
4	FH70.1-0514-129	Bolt	3
5	92001-10000002	Deflector	1
6	92001-10010000	Muffler	1
7	FH70.1-0518-129	Bolt	2
8	92001-10000003	Gasket	1

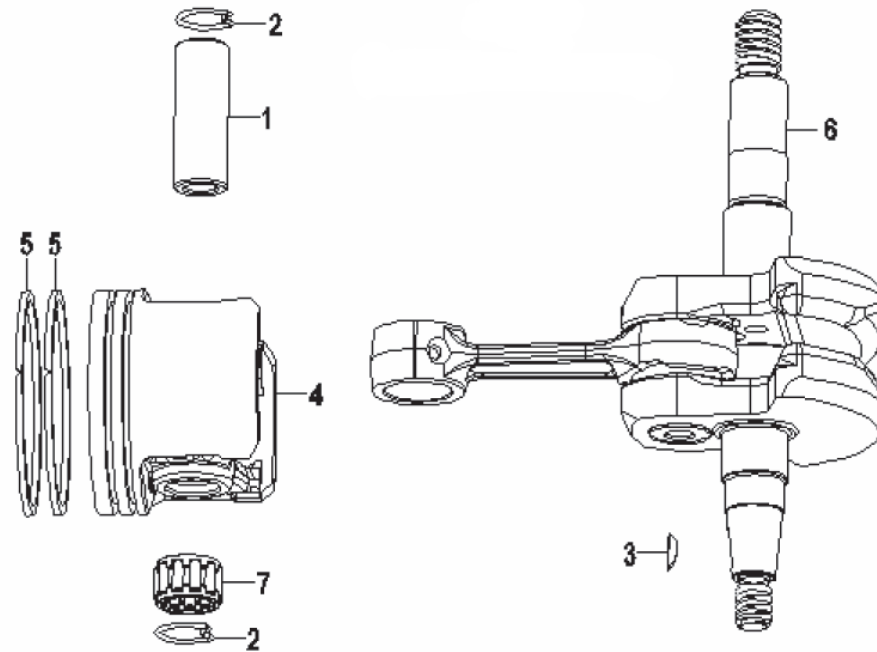


Diagram Number	Part Number	Description	Quantity Required
1	92001-11000001	Wrist Pin	1
2	92001-11000002	Retaining Ring	2
3	GB/T1099	Woodruff Key	1
4	92001-11010001	Piston	1
5	92001-11010002	Piston Ring	2
6	92001-11020000	Crankshaft Assembly	1
7	92001-11020100	Needle Bearing	1

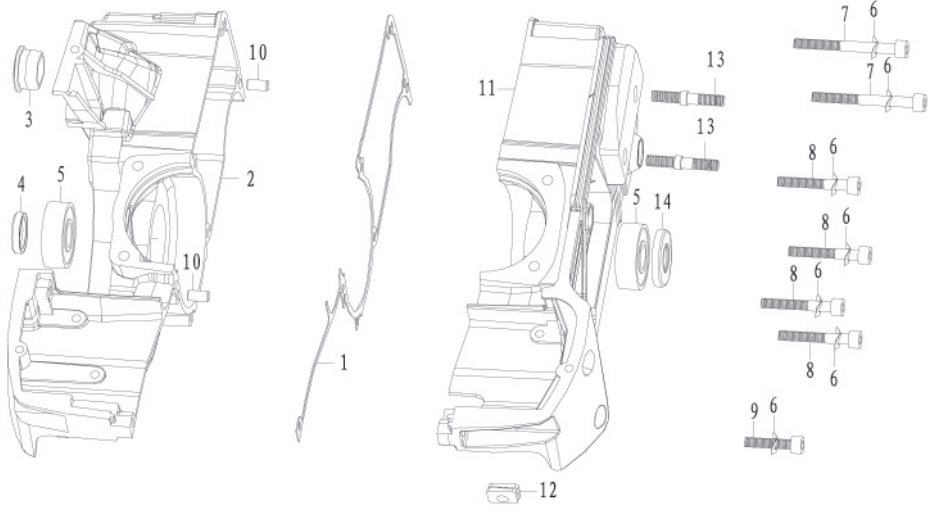


Diagram Number	Part Number	Description	Quantity Required
1	92001-12000001	Gasket	1
2	92001-12010001	Crankcase Left	1
3	92001-12010002	Cover	1
4	TB 13×20×4	Seal	1
5	6202	Crankcase Ball Bearing	2
6	FH860-05-65Mn	Washer	7
7	FH70.1-0550-129	Bolt	2
8	FH70.1-0535-129	Bolt	4
9	FH70.1-0522-129	Bolt	1
10	GB/T119.1	Guide Pin	2
11	92001112020001	Crankcase Right	1
12	92001-12020002	Grommet	1
13	92001-12020003	Stud Bolt	2
14	TB 15×28×4.5-5	Seal	1

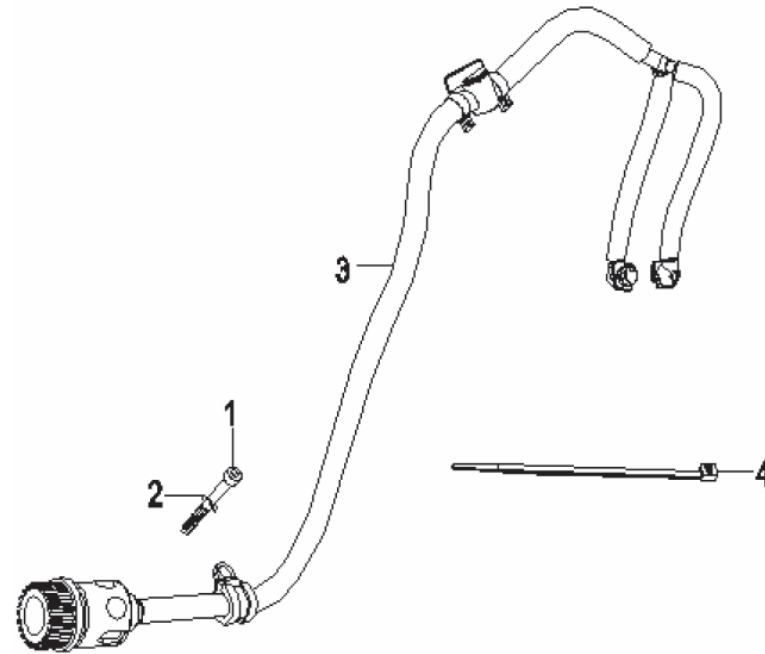


Diagram Number	Part Number	Description	Quantity Required
1	FH70.1-0545-129	Bolt	1
2	FH860-05-65Mn	Washer	1
3	92001-13010000	Water Kit	1
4	RCV-150	Tie Wrap	1



Edge Tools & Equipment Ltd, Unit 9, Victoria Centre, Victoria Way, Pride Park, Derby, DE24 8AN.

Tel: +44(0)1332 3210211 • Fax: +44(0)1332 210211 • Email: [sales@edgediamond.com](mailto:sales@edgediamond.com) • [www.jcbdiamond.com](http://www.jcbdiamond.com)

JCB's Cut Off Saw is manufactured under license by Edge Tools & Equipment Ltd.