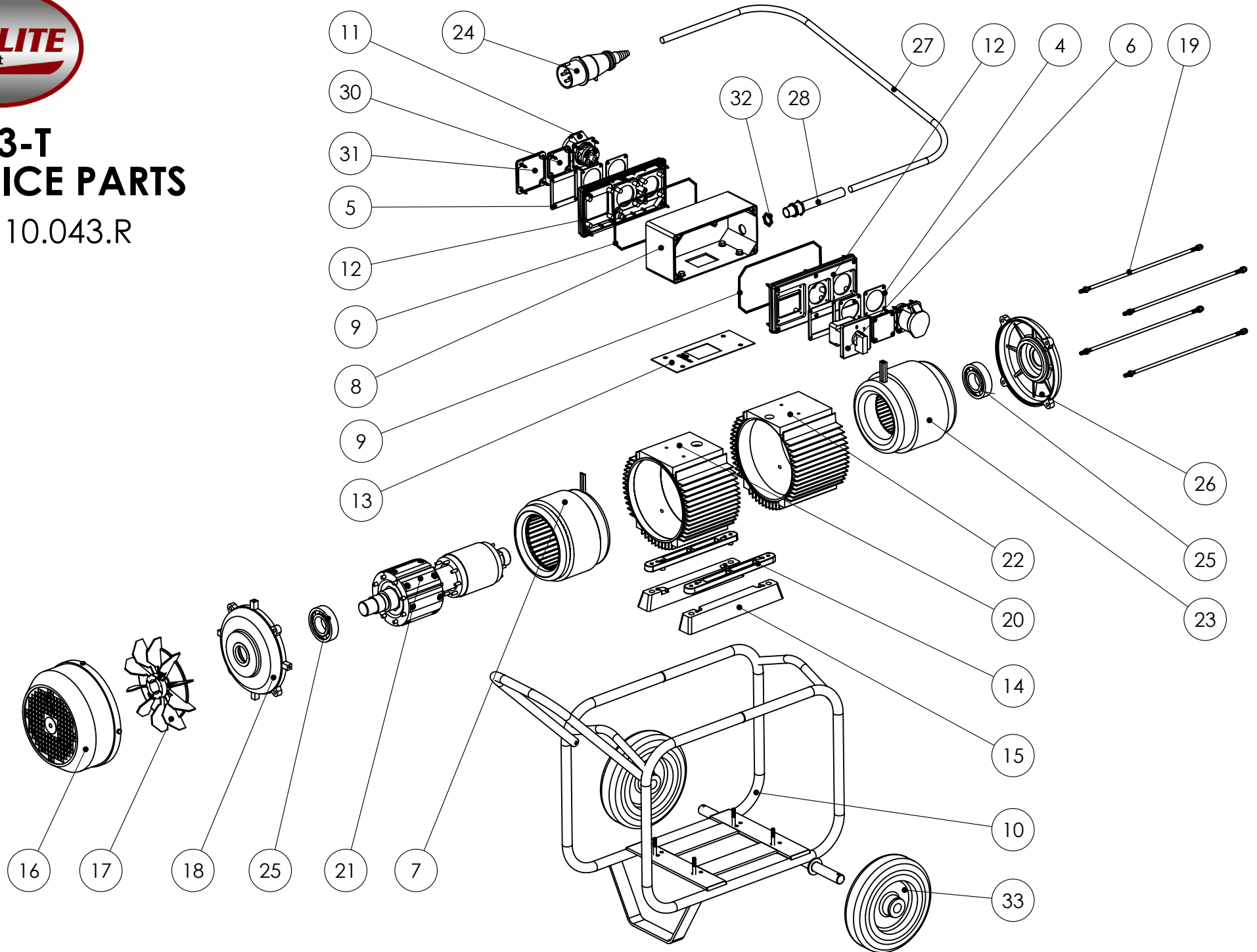




# FUZ33-T SERVICE PARTS

PACLI10.043.R



| PACLITE  |  | Rev. nº 0        |                    |
|--|--|------------------|--------------------|
| SPARE PARTS LIST   |  | Date: 11/05/2009 |                    |
| HIGH FREQUENCY CONVERTER TRIPHASE 400V 50Hz FUZ33 - T (YELLOW) |  |                  | PACLI 10.043.R     |
| QTY.   | DENOMINATION                               | DRAW Nº          | CODE               |
| 3  | SOCKET JOINT                               | 4                | PACLI 56.018       |
| 2  | SWITCH JOINT                               | 5                | PACLI 56.040       |
| 1  | 3 PHASE SWITCH BHUPLAT DE 8A               | 6                | PACLI 66.016       |
| 1  | ASSY STATOR GENERATOR COMP.                | 7                | PACLI 24.075       |
| 1  | PLASTIC BOX CONNECTOR                      | 8                | PACLI 30.227.1     |
| 2  | JOINT RUBBER PLASTIC BOX COVER DIAM. 3x580 | 9                | PACLI 76.067       |
| 1  | CHASSIS + WHEELS                           | 10               | PACLI 53.504.CR    |
| 3  | SWITCH SOCKET 50V 32A                      | 11               | PACLI 65.005       |
| 2  | PLASTIC BOX COVER (SWITCH + SOCKETS)       | 12               | PACLI 30.228.1     |
| 1  | PLASTIC JOINT RUBBER BOX                   | 13               | PACLI 76.066       |
| 2  | BOTTOM RUBBER BRACKET                      | 14               | PACLI 30.113.1     |
| 2  | BOTTOM RUBBER                              | 15               | PACLI 56.059       |
| 1  | FAN COVER                                  | 16               | PACLI 48.010       |
| 1  | FAN WITH HOSE CLAMP                        | 17               | PACLI 33.006       |
| 1  | GENERATOR BEARING COVER SEAT               | 18               | PACLI 30.170.1     |
| 4  | BOLT JOINT M6x318                          | 19               | PACLI 84.120       |
| 1  | GENERATOR HOUSING                          | 20               | PACLI 30.237.1     |
| 1  | COMPLETE ROTOR SET                         | 21               | PACLI 26.048       |
| 1  | MOTOR HOUSING                              | 22               | PACLI 30.238.1     |
| 1  | ASSY STATOR MOTOR COMP.                    | 23               | PACLI 24.076       |
| 1  | CETAC PLUG 3P+T 16A                        | 24               | PACLI 65.015       |
| 2  | BEARING 6207 2 NSE 35.72.17                | 25               | PACLI 75.045       |
| 1  | MOTOR BEARING COVER SEAT                   | 26               | PACLI 30.171.1     |
| 1  | CONNECTION CABLE 4x2,5 (5MTRS)             | 27               | PACLI 60.007.H07.5 |
| 1  | PACKING PLASTIC BOX CONNECTOR M20/16RL     | 28               | PACLI 62.089       |
| 2  | SWITCH SOCKET COVER                        | 30               | PACLI 30.230.1     |
| 1  | SWITCH COVER                               | 31               | PACLI 30.229.1     |
| 1  | METALLIC NUT M 20                          | 32               | PACLI 62.090       |
| 2  | WHEEL Ø 200x50                             | 33               | PACLI 45.003       |