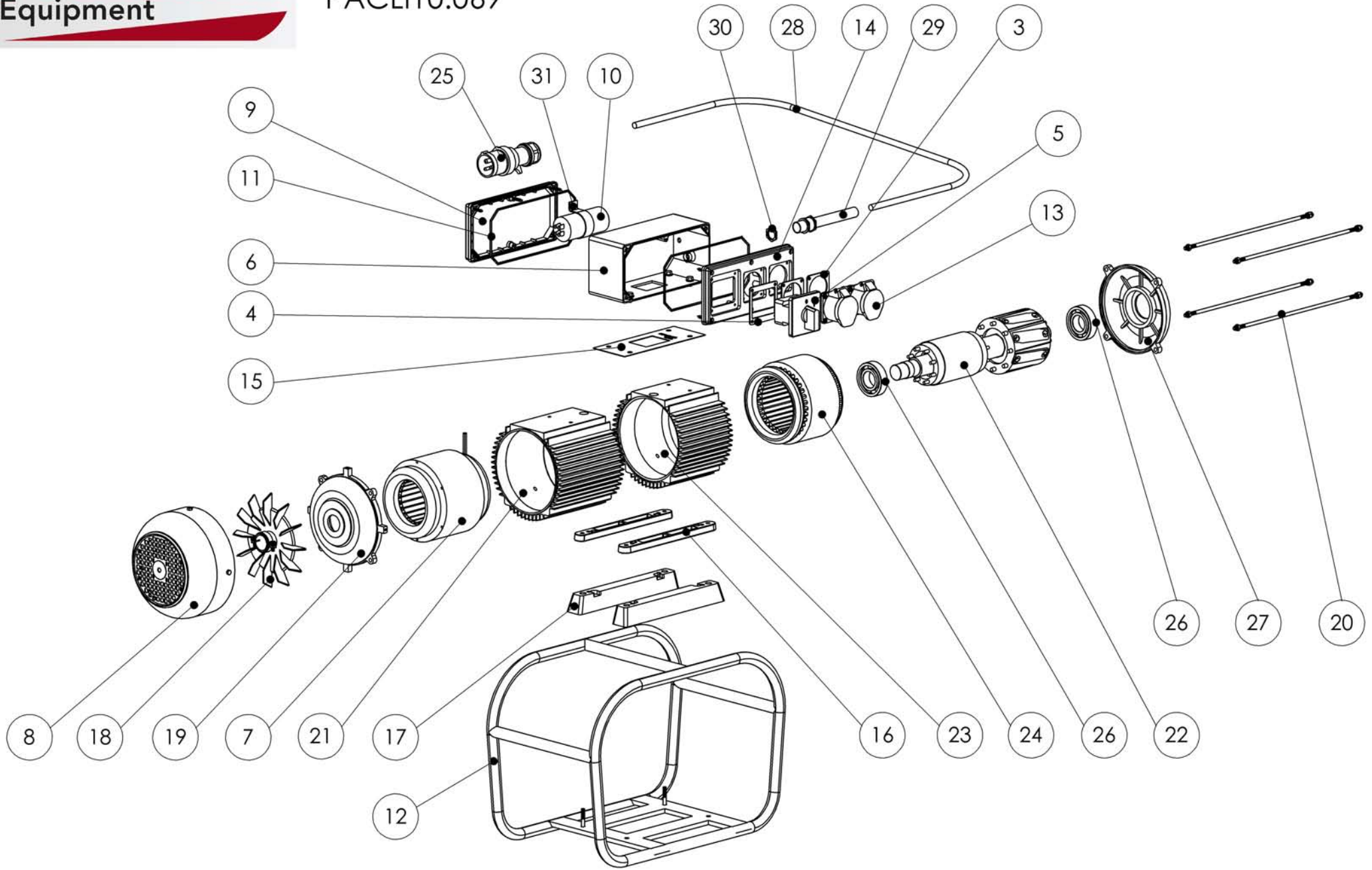


FUZ25-M SERVICE PARTS

PACLI10.069



PACLITE		Rev. nº 0	
SPARE PARTS LIST		Date: 11/05/2009	
HIGH FREQUENCY CONVERTER MONOPHASE 230V 50Hz FUZ25 - M (YELLOW)			PACLI 10.069
QTY.	DENOMINATION	DRAW Nº	CODE
2	SOCKET JOINT	3	PACLI 56.018
1	SWITCH JOINT	4	PACLI 56.040
1	SINGLE PHASE SWITCH BHIPLAT 11,5 A	5	PACLI 66.026
1	PLASTIC BOX CONNECTOR	6	PACLI 30.247.1
1	ASSY STATOR MOTOR COMP.	7	PACLI 24.091
1	FAN COVER	8	PACLI 48.006
1	BLIND PLASTIC BOX CONNECTOR COVER	9	PACLI 30.239.1
1	CONDENSER 35 µ F	10	PACLI 68.002
2	JOINT RUBBER PLASTIC BOX COVER DIAM. 3x580	11	PACLI 76.067
1	CHASSIS	12	PACLI 53.504
2	SWITCH SOCKET 50 V - 32 A	13	PACLI 65.005
1	PLASTIC BOX COVER (SWITCH + SOCKETS)	14	PACLI 30.228.1
1	PLASTIC JOINT RUBBER BOX	15	PACLI 76.066
2	BOTTOM RUBBER BRACKET	16	PACLI 30.113.1
2	BOTTOM RUBBER	17	PACLI 56.059
1	FAN WITH HOSE CLAMP	18	PACLI 33.004
1	MOTOR BEARING COVER SEAT	19	PACLI 30.163.1
4	BOLT JOINT M6X318	20	PACLI 84.120
1	MOTOR HOUSING	21	PACLI 30.234.1
1	COMPLETE ROTOR SET	22	PACLI 26.068
1	GENERATOR HOUSING	23	PACLI 30.233.1
1	ASSY STATOR GENERATOR COMP.	24	PACLI 24.055
1	CETACT PLUG 2P+T 16A	25	PACLI 65.016
2	BEARING 6.206- 2NSE 30.62.16	26	PACLI 75.044
1	GENERATOR BEARING COVER SEAT	27	PACLI 30.164.1
1	CONNECTION CABLE 3x2,5 (5 MTS.)	28	PACLI 60.064
1	PACKING PLASTIC BOX CONNECTOR M20/16 RL	29	PACLI 62.089
1	METALLIC NUT M20	30	PACLI 62.090
1	METALLIC HOSE CLAMP (ONE FIXING SIDE) Ø 40	31	PACLI 52.029