

VR800D-01 ENGINE & MECHANICAL CLUTCH UNIT

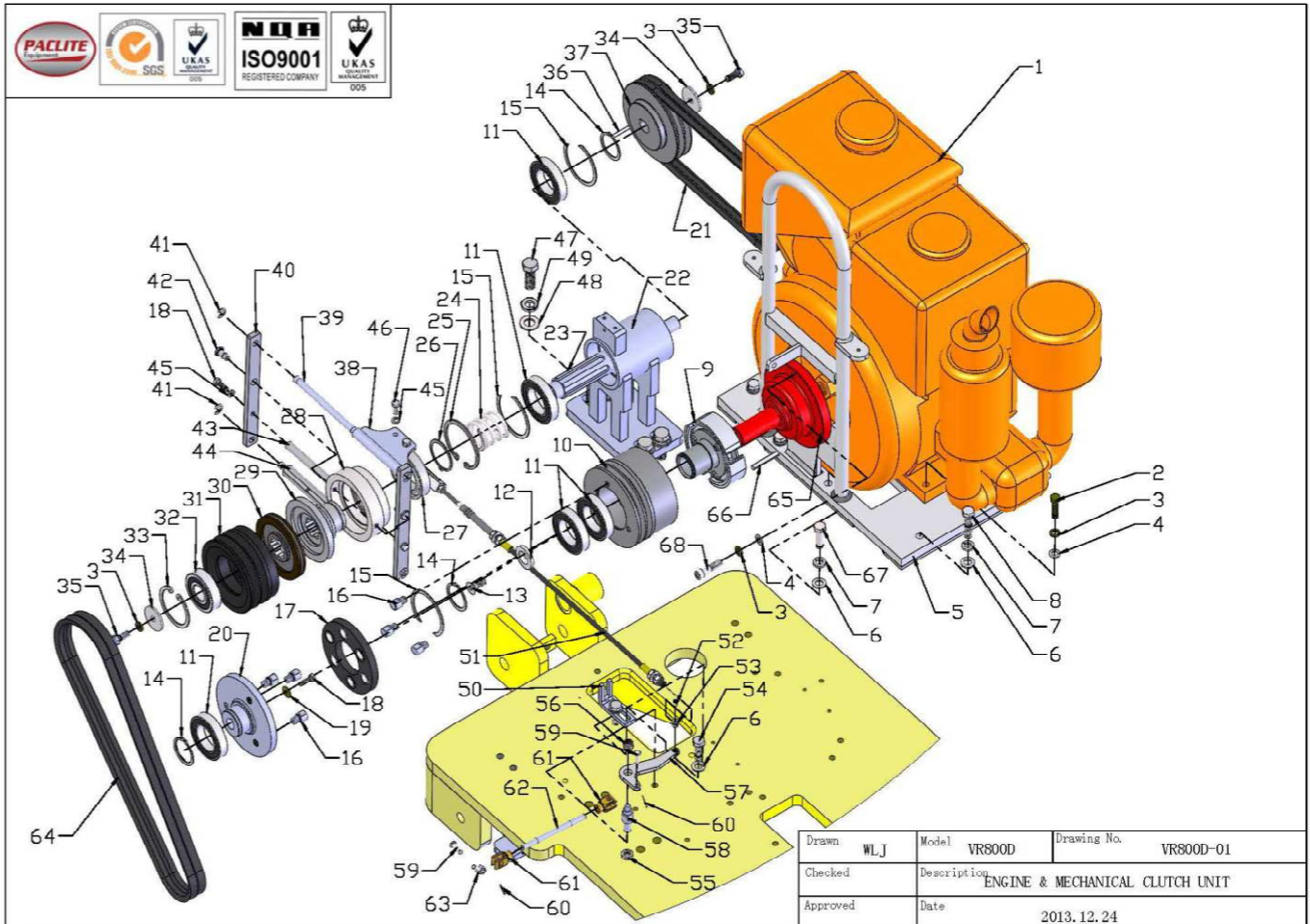
NO.	PART NO.	PART DESCRIPTION	QTY	Unit Price (EUR) 2013
01-1	VR800D-W05-KUBOTA EA330-E3-NB1	ENGINE	1	2 790,00 €
01-2	VR800D-FN.B-M8x35-8.8-DIN-1	BOLT	4	0,24 €
01-3	VR800D-HSPG.W8-DIN-1	SPRING WASHER,TANG ENDS	9	0,20 €
01-4	VR800D-FN.W8-DIN-1	WASHER	7	0,16 €
01-5	VR800D-800-010100-A		1	194,96 €
01-6	VR800D-FN.W10-DIN-1	WASHER	8	0,16 €
01-7	VR800D-HSPG.W10-DIN-1	SCREW	6	0,36 €
01-8	VR800D-FN.B-M10x45-8.8-DIN-1	BOLT	4	0,36 €
01-9	VR800D-800-010902A	CLUTCH	1	114,40 €
01-10	VR800D-800-010901	PULLEY FOR CLUTCH	1	70,77 €
01-11	VR800D-W01-6008ZZ-J	BEARING	5	24,08 €
01-12	VR800D-800-011000	WASHER	1	2,52 €
01-13	VR800D-HSF.S-M10x25-8.8-DIN-1	SOCKET COUNTERSUNK HEAD SCREW	1	0,32 €
01-14	VR800D-CS.RG40	EXTERNAL CIRCLIP	3	0,44 €
01-15	VR800D-6.5-010903	INTERNAL CIRCLIP	3	2,52 €
01-16	VR800D-800DK-010001	PULLEY ATTACHMENT	6	17,20 €
01-17	VR800D-800-010005	RUBBER COUPLING WITH BUSH	1	18,20 €
01-18	VR800D-FN.B-M6x20-8.8-DIN-1	BOLT	3	0,16 €
01-19	VR800D-WOD.W6-GB-1	WASHER	1	0,20 €
01-20	VR800D-800DK-010004	PUMP COUPLING	1	50,16 €
01-21	VR800D-W02-SPZ 825LW	V-BELT	2	19,40 €
01-22	VR800D-800DK-010008-1.1M	MECHANICAL CLUTCH HOLDER	1	151,84 €
01-23	VR800D-800-010008.6M	CLUTCH SHAFT	1	72,75 €
01-24	VR800D-800-110014	SPRING	1	13,04 €
01-25	VR800D-CH.RG75	INTERNAL RETAINING RING	1	2,00 €
01-26	VR800D-CS.RG45	EXTERNAL CIRCLIP	1	0,52 €
01-27	VR800D-W01-6009LLU-J	BEARING	1	28,60 €
01-28	VR800D-6.5-050500	EXCITER BUSH	1	34,02 €
01-29	VR800D-800-051100	PRESSURE PLATE	1	52,62 €
01-30	VR800D-800-050900	DISC PLATE	1	29,96 €
01-31	VR800D-800-050800M	CLUTCH PULLEY	1	47,97 €
01-32	VR800D-W01-6305ZZ-J	BEARING	1	34,88 €
01-33	VR800D-CH.RG62	INTERNAL CIRCLIP	1	1,36 €
01-34	VR800D-HCC16-030502	FRONT WHEEL WASHER	2	3,56 €
01-35	VR800D-FN.B-M8x20-8.8-DIN-1	BOLT	2	0,20 €
01-36	VR800D-Key.C-5x5x32	KEY	1	0,24 €

VR800D-01 ENGINE & MECHANICAL CLUTCH UNIT

NO.	PART NO.	PART DESCRIPTION	QTY	Unit Price (EUR) 2013
01-37	VR800D-800-040300	PUMP PULLEY	1	53,43 €
01-38	VR800D-800DK-050906	PIN HOLDER	1	29,96 €
01-39	VR800D-800DK-050903	PIN	1	24,92 €
01-40	VR800D-800-110008	PLATE	2	28,12 €
01-41	VR800D-ET.RG8	EXTERNAL CIRCLIP	4	0,16 €
01-42	VR800D-800-051000A	BOLT	2	3,16 €
01-43	VR800D-800-110009	SHAFT	1	6,24 €
01-44	VR800D-800-110010	SHAFT	1	19,00 €
01-45	VR800D-HSPG.W6-DIN-1	SPRING WASHER,TANG ENDS	4	0,20 €
01-46	VR800D-FN.B-M6x16-8.8-DIN-1	BOLT	2	0,16 €
01-47	VR800D-FN.B-M14x40-8.8-DIN-1	BOLT	4	0,44 €
01-48	VR800D-FN.W14-DIN-1	WASHER	4	0,20 €
01-49	VR800D-HSPG.W14-DIN-1	SPRING WASHER,TANG ENDS	4	0,44 €
01-50	VR800D-800-110006	The Vibrating Wire Support	1	8,08 €
01-51	VR800D-800-022500M	VIBRATION CABLE ASSY	1	37,32 €
01-52	VR800D-GB79-85-M5x10	SOCKET SCREW WITH CYLINDRICAL POINT	1	0,36 €
01-53	VR800D-800-110012	ROPE CONNECTING PIN	1	15,56 €
01-54	VR800D-FN.B-M10x30-8.8-DIN-1	BOLT	2	0,28 €
01-55	VR800D-FNL.N-M10-DIN-1	HEXAGON THIN NUT	1	0,20 €
01-56	VR800D-IN.N-M8-DIN-1	LOCK NUT	1	0,16 €
01-57	VR800D-800-110003	V-SHAPED CONNECTING PLATE	1	14,16 €
01-58	VR800D-800-110004	FIXING BOLTS	1	21,40 €
01-59	VR800D-HWH.PIN-6x20	PIN	2	0,28 €
01-60	VR800D-SP.PIN-1.6x20	SPLIT PIN	2	0,16 €
01-61	VR800D-800-110013	U-SHAPED CONNECTING PIN	2	32,36 €
01-62	VR800D-800-110007	BOLT	1	5,68 €
01-63	VR800D-800-110011	CONNECTOR	1	12,48 €
01-64	VR800D-W02-A37	V-BELT	2	13,48 €
01-65	VR800D-800-010200A	P.T.O SHAFT	1	70,38 €
01-66	VR800D-Key.C-7x6x50	KEY	1	4,56 €
01-67	VR800D-FN.B-M10x35-8.8-DIN-1	BOLT	2	0,28 €
01-68	VR800D-HS.B-M8x35-8.8-GB-1	SCREW	3	0,24 €

VR800D-01 ENGINE & MECHANICAL CLUTCH UNIT

NO.	PART NO.	PART DESCRIPTION	QTY	Unit Price (EUR) 2013
-----	----------	------------------	-----	-----------------------



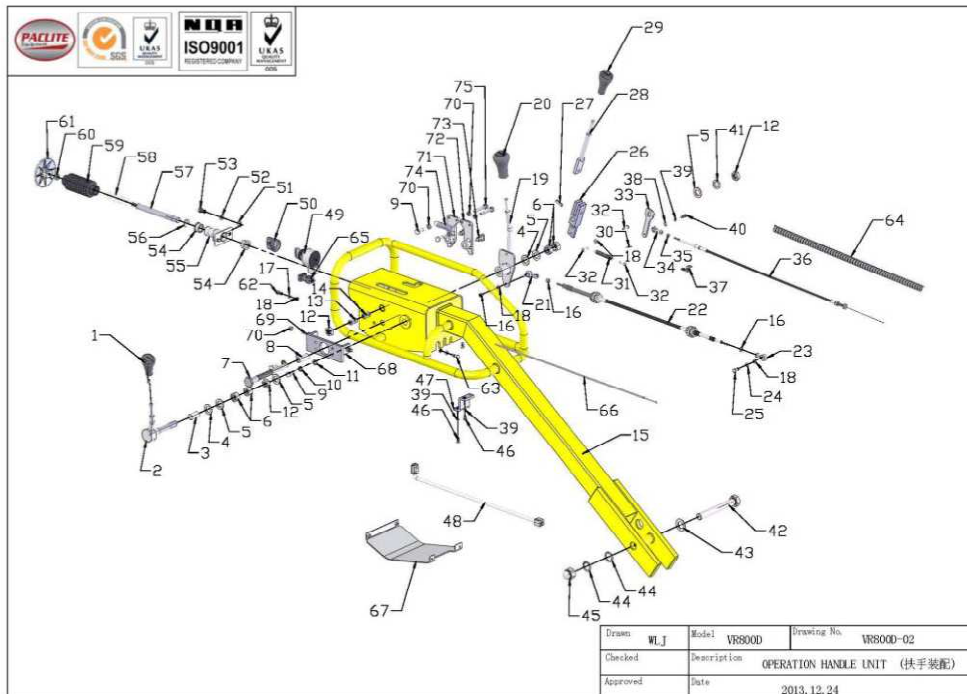
Drawn	WLJ	Model	VR800D	Drawing No.	VR800D-01
Checked		Description	ENGINE & MECHANICAL CLUTCH UNIT		
Approved		Date	2013.12.24		

VR800D-02 OPERATION HANDLE UNIT

NO.	PART NO.	PART DESCRIPTION	QTY	Unit Price (EUR) 2013
02-1	VR800D-650-023000	THROTTLE GRIP	1	23,08 €
02-2	VR800D-650-021000	THROTTLE GRIP	1	23,08 €
02-3	VR800D-650-022400	BEARING BUSH	1	8,04 €
02-4	VR800D-WSPG.W16-DIN-3	WAVE SPRING WASHER	2	0,28 €
02-5	VR800D-FN.W16-DIN-2	WASHER	3	0,16 €
02-6	VR800D-FN.N-M16-DIN-2	NUT	4	0,16 €
02-7	VR800D-6.5-022100	PIN	1	20,08 €
02-8	VR800D-6.5-022400	BUSH	1	1,00 €
02-9	VR800D-FN.B-M8x20-8.8-DIN-2	BOLT	4	0,20 €
02-10	VR800D-HSPG.W8-DIN-1	SPRING WASHER,TANG ENDS	2	0,20 €
02-11	VR800D-FN.W8-DIN-1	WASHER	2	0,16 €
02-12	VR800D-FNL.N-M16-DIN-2	HEXAGON THIN NUT	3	0,32 €
02-13	VR800D-FHSS.S-M16x25-GB-2	SOCKET SCREW WITH FLAT HEAD	1	1,04 €
02-14	VR800D-6.5-022700	PLUNGER	1	6,32 €
02-15	VR800D-800DK-020100F	OPERATION HANDLE	1	147,76 €
02-16	VR800D-FN.N-M6-DIN-2	NUT	3	0,16 €
02-17	VR800D-HSPG.W6-DIN-2	SPRING WASHER,TANG ENDS	5	0,20 €
02-18	VR800D-FN.W6-DIN-2	WASHER	7	0,16 €
02-19	VR800D-650-021900	DRIVE LEVER	1	27,08 €
02-20	VR800D-650-023100	DRIVE GRIP	1	25,08 €
02-21	VR800D-6.5-020003	UNIVERSAL JOINT	1	15,04 €
02-22	VR800D-800-022600-B	DRIVE CABLE ASSY	1	44,19 €
02-23	VR800D-6.5-020002	UNIVERSAL JOINT	1	18,08 €
02-24	VR800D-HSPG.W6-DIN-1	SPRING WASHER,TANG ENDS	1	0,20 €
02-25	VR800D-FN.B-M6x20-8.8-DIN-1	BOLT	1	0,16 €
02-26	VR800D-650-021700	U CONNECTOR	1	14,56 €
02-27	VR800D-SC.PIN-8x24-GB-3	SPRING PIN	1	0,36 €
02-28	VR800D-650-021800	VIBRATION LEVER	1	19,08 €
02-29	VR800D-650-023200	VIBRATOR GRIP	1	23,08 €
02-30	VR800D-SP.PIN-1.6x20-GB-2	SPLIT PIN	1	0,16 €
02-31	VR800D-HTL350-021200	SPRING	1	3,00 €
02-32	VR800D-HWH.PIN-6x20	PIN	3	0,28 €
02-33	VR800D-650-021100	LEVER	1	6,04 €
02-34	VR800D-6.5-020001	UNIVERSAL JOINT	1	11,04 €
02-35	VR800D-FN.N-M5-DIN-2	NUT	1	0,16 €
02-36	VR800D-6.5D-010800	THROTTLE CABLE ASSY	1	124,17 €
02-37	VR800D-6.5-010400	CABLE CLIP	1	1,52 €
02-38	VR800D-FN.W5-DIN-2	WASHER	1	0,16 €
02-39	VR800D-SPG.W5-DIN-2	SPRING WASHER	5	0,16 €
02-40	VR800D-FN.B-M5x16-8.8-DIN-2	BOLT	1	0,16 €
02-41	VR800D-HSPG.W16-DIN-2	SPRING WASHER,TANG ENDS	1	0,32 €
02-42	VR800D-FN.B-M20x150-8.8-DIN-2	BOLT	1	3,52 €
02-43	VR800D-FN.W20-DIN-2	WASHER	1	0,20 €
02-44	VR800D-NL-20	SERRATED WASHER	2	6,04 €
02-45	VR800D-HC.N-M20-DIN-2	CAP NUT	1	8,04 €
02-46	VR800D-FN.B-M5x12-8.8-DIN-2	BOLT	4	0,16 €
02-47	VR800D-650-020900	THROTTLE CABLE PLATE	1	12,36 €
02-48	VR800D-650-020700	START-UP WIRE	1	34,89 €
02-49	VR800D-6.5D-000006	SWITCH	1	112,74 €
02-50	VR800D-6.5D-000007	RUBBER COVER	1	14,40 €
02-51	VR800D-FN.W8-DIN-2	WASHER	2	0,16 €
02-52	VR800D-HSPG.W8-DIN-2	SPRING WASHER,TANG ENDS	2	0,20 €

VR800D-02 OPERATION HANDLE UNIT

NO.	PART NO.	PART DESCRIPTION	QTY	Unit Price (EUR) 2013
02-53	VR800D-FN.B-M8x16-8.8-DIN-2	BOLT	2	0,20 €
02-54	VR800D-6.5-021400	NYLON BUSH	2	11,52 €
02-55	VR800D-650-021500	LEADER BASE	1	14,04 €
02-56	VR800D-ET.RG12	LOCK WASHER FOR SHAFTS	1	0,20 €
02-57	VR800D-6.5-021600	ROD	1	20,08 €
02-58	VR800D-6.5-021300	SPRING	1	0,20 €
02-59	VR800D-650-022900	SWITCH BUSH	1	21,56 €
02-60	VR800D-FNL.N-M10-DIN-2	HEXAGON THIN NUT	1	0,20 €
02-61	VR800D-650-021200P	EMERGENCY KNOB	1	39,90 €
02-62	VR800D-FN.B-M6x16-8.8-DIN-1	BOLT	2	0,16 €
02-63	VR800D-FN.B-M6x20-8.8-DIN-1	BOLT	2	0,16 €
02-64	VR800D-650-024000	SPIRAL GUARD	1	187,72 €
02-65	VR800D-800-000001	SWITCH	1	36,88 €
02-66	VR800D-800-000003	WIRE	1	15,12 €
02-67	VR800D-650-022000	BOTTOM COVER	1	38,48 €
02-68	VR800D-650-020200	PLANK	1	31,84 €
02-69	VR800D-FN.B-M8x25-8.8-DIN-2	BOLT	2	0,20 €
02-70	VR800D-FNL.N-M8-DIN-2	HEXAGON THIN NUT	6	0,32 €
02-71	VR800D-650-020300L	BAFFLE,LEFT	1	29,32 €
02-72	VR800D-650-020300R	BAFFLE,RIGHT	1	29,32 €
02-73	VR800D-650-020400	BOLT PIN	2	6,20 €
02-74	VR800D-650-020500	SPRING	1	6,56 €
02-75	VR800D-FN.B-M8x45-8.8-DIN-2	BOLT	2	0,36 €

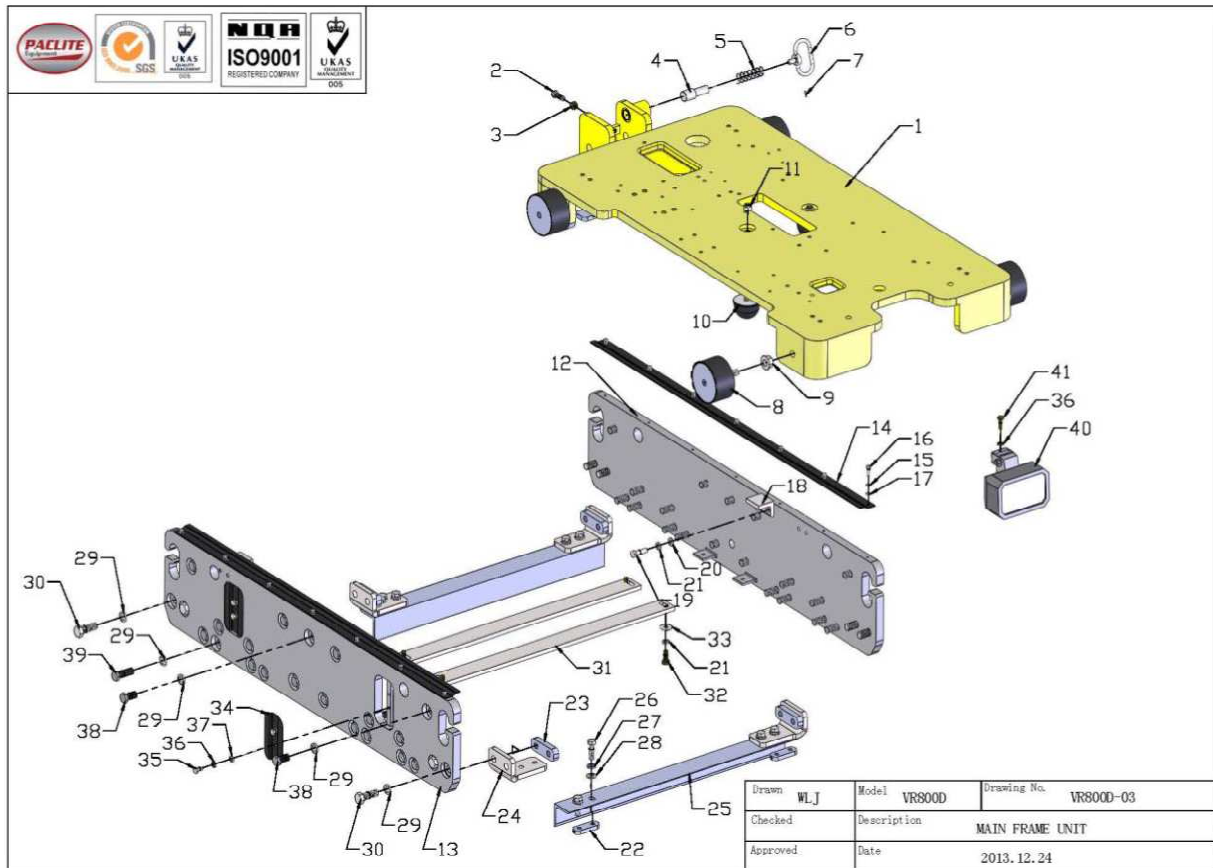


VR800D-03 MAIN FRAME UNIT

NO.	PART NO.	PART DESCRIPTION	QTY	Unit Price (EUR) 2013
03-1	VR800D-030300	BASE FRAME	1	361,13 €
03-2	VR800D-FN.B-M10x30-8.8-DIN-1	BOLT	1	0,28 €
03-3	VR800D-FN.N-M10-DIN-1	NUT	1	0,16 €
03-4	VR800D-6.5-020200	PIN	1	20,08 €
03-5	VR800D-6.5-020300	SPRING	1	4,00 €
03-6	VR800D-650-020600	EYE BOLT	1	24,08 €
03-7	VR800D-SC.PIN-3x16-GB-3	SPRING PIN	1	0,20 €
03-8	VR800D-800DK-030700-A	RUBBER CUSION	4	100,47 €
03-9	VR800D-HF.N-M16-DIN-3	HEXAGON FLANGE NUT	4	0,60 €
03-10	VR800D-BEN35-021400	RUBBER CUSION	2	36,90 €
03-11	VR800D-IN.N-M12-DIN-1	LOCK NUT	2	0,28 €
03-12	VR800D-800-030000-A	LEFT BOARD	1	192,72 €
03-13	VR800D-800-030100-A	RIGHT BOARD	1	198,88 €
03-14	VR800D-800-030200	BOARD	2	30,72 €
03-15	VR800D-HSPG.W6-DIN-1	SPRING WASHER,TANG ENDS	14	0,20 €
03-16	VR800D-FN.B-M6x20-8.8-DIN-1	BOLT	14	0,16 €
03-17	VR800D-FN.W6-DIN-1	WASHER	14	0,16 €
03-18	VR800D-800DK-030400	STOPPER	2	20,24 €
03-19	VR800D-FN.B-M10x35-8.8-DIN-1	BOLT	4	0,28 €
03-20	VR800D-FN.W10-DIN-1	WASHER	4	0,16 €
03-21	VR800D-HSPG.W10-DIN-1	SPRING WASHER,TANG ENDS	8	0,36 €
03-22	VR800D-800-030500.1	ATTACHMENT 1	4	7,12 €
03-23	VR800D-800-030500.2	ATTACHMENT 2	4	17,08 €
03-24	VR800D-800-030500.4	BRACKET 1	4	31,05 €
03-25	VR800D-800-030500	ANGLE IRON	2	64,80 €
03-26	VR800D-FN.B-M12x40-8.8-DIN-1	BOLT	8	0,32 €
03-27	VR800D-HSPG.W12-DIN-1	SPRING WASHER,TANG ENDS	8	0,32 €
03-28	VR800D-FN.W12-DIN-1	WASHER	8	0,16 €
03-29	VR800D-HSPG.W16-DIN-1	SPRING WASHER,TANG ENDS	46	0,32 €
03-30	VR800D-FN.B-M16x1.5x45-8.8-DIN-1	BOLT	8	3,52 €
03-31	VR800D-800-030900	INTERNAL SCRAPER	2	25,00 €
03-32	VR800D-FN.B-M10x25-8.8-DIN-1	BOLT	4	0,24 €
03-33	VR800D-WOD.W10-GB-1	WASHER	4	0,16 €
03-34	VR800D-6.5-040900	U BYPASS SUPPORT	2	6,52 €
03-35	VR800D-FN.B-M8x16-8.8-DIN-2	BOLT	4	0,20 €
03-36	VR800D-HSPG.W8-DIN-1	SPRING WASHER,TANG ENDS	5	0,20 €

VR800D-03 MAIN FRAME UNIT

NO.	PART NO.	PART DESCRIPTION	QTY	Unit Price (EUR) 2013
03-37	VR800D-FN.W8-DIN-1	WASHER	4	0,16 €
03-38	VR800D-FN.B-M16x1.5x30-10.9-DIN-1	BOLT	14	2,88 €
03-39	VR800D-FN.B-M16x1.5x40-10.9-DIN-1	BOLT	24	3,52 €
03-40	VR800D-800-000002	HEAD LIGHT	1	122,54 €
03-41	VR800D-FN.B-M8x25-8.8-DIN-1	BOLT	1	0,20 €

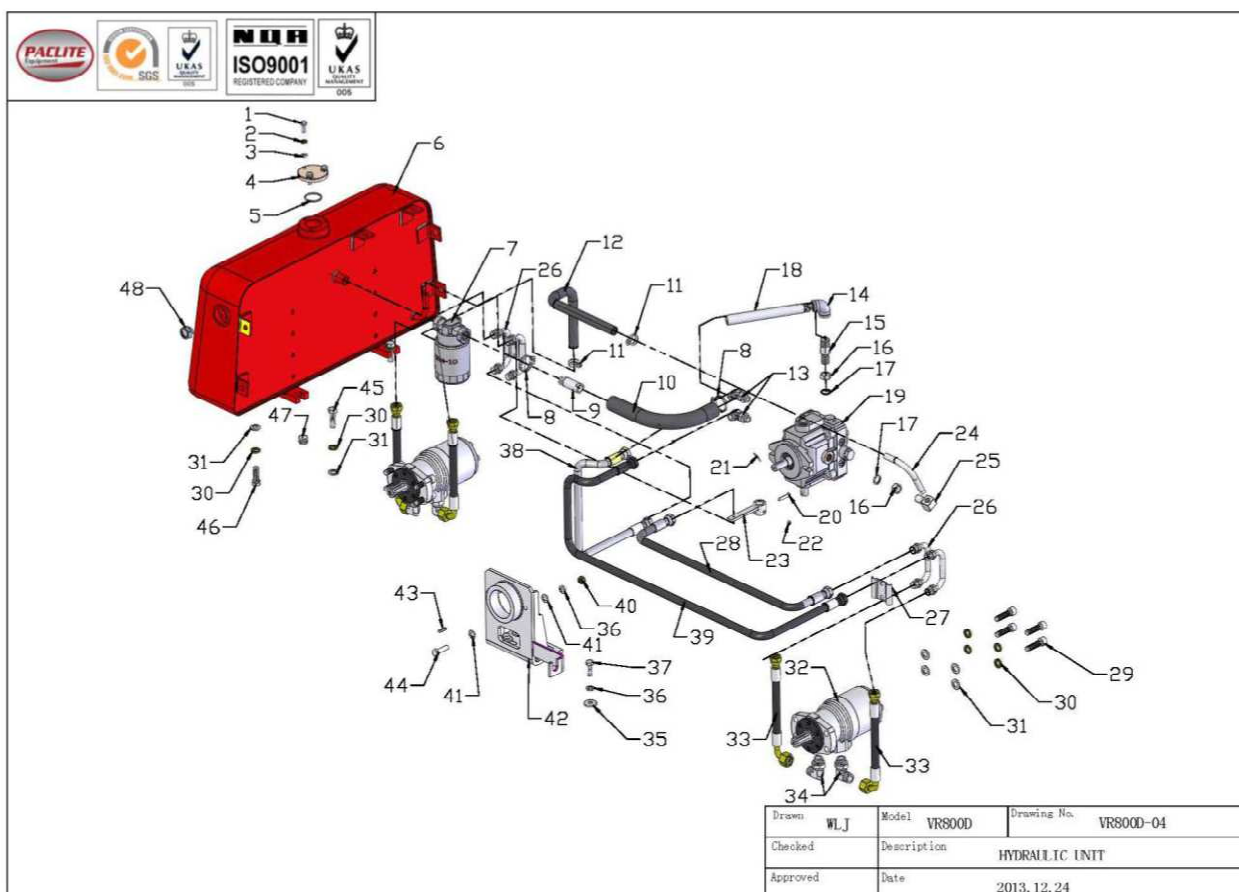


VR800D-04 HYDRAULIC UNIT

NO.	PART NO.	PART DESCRIPTION	QTY	Unit Price (EUR) 2013
04-1	VR800D-FN.B-M8x20-8.8-DIN-1	BOLT	3	0,20 €
04-2	VR800D-HSPG.W8-DIN-1	SPRING WASHER,TANG ENDS	5	0,20 €
04-3	VR800D-FN.W8-DIN-1	WASHER	5	0,16 €
04-4	VR800D-6.5-041107	HYDRULIC OIL TANK CAP	1	9,84 €
04-5	VR800D-W04-34.4x3.1	O-RING	1	4,00 €
04-6	VR800D-650-041100	HYDRAULIC OIL TANK	1	396,36 €
04-7	VR800D-6.5-040003	FILTER	1	120,42 €
04-8	VR800D-6.5-040008	CLAMP	2	1,52 €
04-9	VR800D-6.5-041200	FILTER NIPPLE	1	16,04 €
04-10	VR800D-6.5-040007	SUCTION HOSE	1	31,60 €
04-11	VR800D-6.5-040009	CLAMP	2	2,00 €
04-12	VR800D-6.5-040006	DRAIN HOSE	1	21,08 €
04-13	VR800D-1CG9-18-06OG	ELBOW	2	21,56 €
04-14	VR800D-6.5-041600	PIPE BEND	1	5,00 €
04-15	VR800D-6.5-041300	SUCTION CONNECTOR	1	11,52 €
04-16	VR800D-6.5-041500	LOCK NUT	2	4,00 €
04-17	VR800D-ZH-D-M16	WASHER	2	0,36 €
04-18	VR800D-800-040700.1	SUCTION NIPPLE	1	35,76 €
04-19	VR800D-W17-PV10-619	HYDRAULIC PUMP	1	1 177,82 €
04-20	VR800D-HWH.PIN-6x32	CLEVIS PIN	1	0,32 €
04-21	VR800D-SP.PIN-1.6x20	SPLIT PIN	1	0,16 €
04-22	VR800D-FHSS.S-M8x6-GB-3	GRUB SCREW	1	0,16 €
04-23	VR800D-6.5-040200	CONTROL LEVER	1	20,76 €
04-24	VR800D-6.5-040600	DRAIN NIPPLE	1	12,04 €
04-25	VR800D-6.5-041400	DRAIN CONNECTOR	1	8,04 €
04-26	VR800D-6.5-040800	BYPASS PIPE	4	13,04 €
04-27	VR800D-6.5-041000	U BYPASS STATOR	2	15,04 €
04-28	VR800D-20411-18-06x1T06IRx900	HYDRAULIC HOSE	1	37,64 €
04-29	VR800D-HS.B-M12x45-8.8-GB-1	SCREW	8	0,40 €
04-30	VR800D-HSPG.W12-DIN-1	SPRING WASHER,TANG ENDS	12	0,32 €
04-31	VR800D-FN.W12-DIN-1	WASHER	12	0,16 €
04-32	VR800D-W17-151-6038	HYDRAULIC MOTOR	2	615,26 €
04-33	VR800D-20491-22-06T/ 20411-18x1T06IRx385	HYDRAULIC	4	39,64 €
04-34	VR800D-1CG9-22-08OG	ELBOW	4	35,76 €
04-35	VR800D-WOD.W10-GB-1	WASHER	4	0,16 €
04-36	VR800D-HSGP.W10-DIN-1	SPRING WASHER,TANG ENDS	4	0,36 €

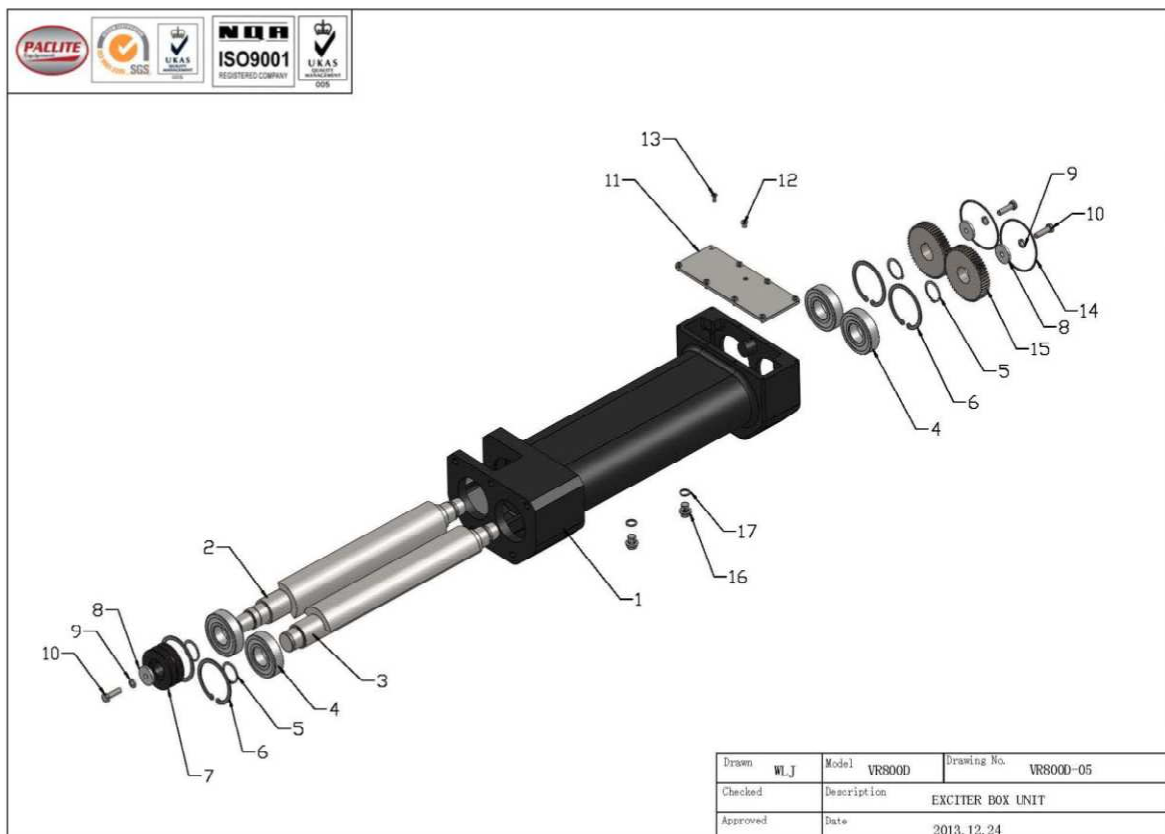
VR800D-04 HYDRAULIC UNIT

NO.	PART NO.	PART DESCRIPTION	QTY	Unit Price (EUR) 2013
04-37	VR800D-FN.B-M10x30-8.8-DIN-1	BOLT	4	0,28 €
04-38	VR800D-20411-18-06x1T06IRx750	HYDRAULIC HOSE	1	31,98 €
04-39	VR800D-20411-18-06x1T06IRx1470	HYDRAULIC HOSE	1	37,26 €
04-40	VR800D-FN.N-M10-DIN-1	NUT	2	0,16 €
04-41	VR800D-FN.W10-DIN-1	WASHER	4	0,16 €
04-42	VR800D-800-040100		1	82,80 €
04-43	VR800D-Key.B-5x5x22	KEY	1	4,00 €
04-44	VR800D-FN.B-M10x35-8.8-DIN-1	BOLT	2	0,28 €
04-45	VR800D-FN.B-M12x40-8.8-DIN-1	BOLT	2	0,32 €
04-46	VR800D-FN.B-M12x35-8.8-DIN-1	BOLT	2	0,40 €
04-47	VR800D-HSHOS.B-ZG1-2	HEXAGONAL SOCKET HEAD PLUG	1	2,00 €
04-48	VR800D-100GB-041000	OIL GAUGE	1	21,08 €



VR800D-05 EXCITER BOX UNIT

NO.	PART NO.	PART DESCRIPTION	QTY	Unit Price (EUR) 2013
05-1	VR800D-800-050000-A	VIBRATING CASE	1	308,78 €
05-2	VR800D-800DK-050101	ECCENTRIC MASS-A	1	129,75 €
05-3	VR800D-800DK-050201	ECCENTRIC MASS-B	1	100,23 €
05-4	VR800D-W01-6308LLU	BEARING	4	90,33 €
05-5	VR800D-CS.RG40	EXTERNAL CIRCLIP	4	0,44 €
05-6	VR800D-CH.RG90	INTERNAL CIRCLIP	4	1,00 €
05-7	VR800D-CPT60-060300	PULLEY	1	29,40 €
05-8	VR800D-CPT60-060301	WASHER	3	3,16 €
05-9	VR800D-HSGP.W10-DIN-1	SPRING WASHER, TANG ENDS	3	0,36 €
05-10	VR800D-FN.B-M10x35-8.8-DIN-1	BOLT	3	0,28 €
05-11	VR800D-800-050600-B	TOP COVER	1	38,67 €
05-12	VR800D-TOL100G-000004	VENT SCREW	1	3,00 €
05-13	VR800D-HSF.S-M6x16-8.8-DIN-1	SOCKET COUNTERSUNK HEAD SCREW	8	0,36 €
05-14	VR800D-W04-99.6x3.5	O RING	2	1,32 €
05-15	VR800D-800-050500	GEAR	2	34,02 €
05-16	VR800D-HHOS.B-M16x1.5	HEXAGON HEAD PLUG	2	2,88 €
05-17	VR800D-ZH-D-M16	WASHER	2	0,36 €

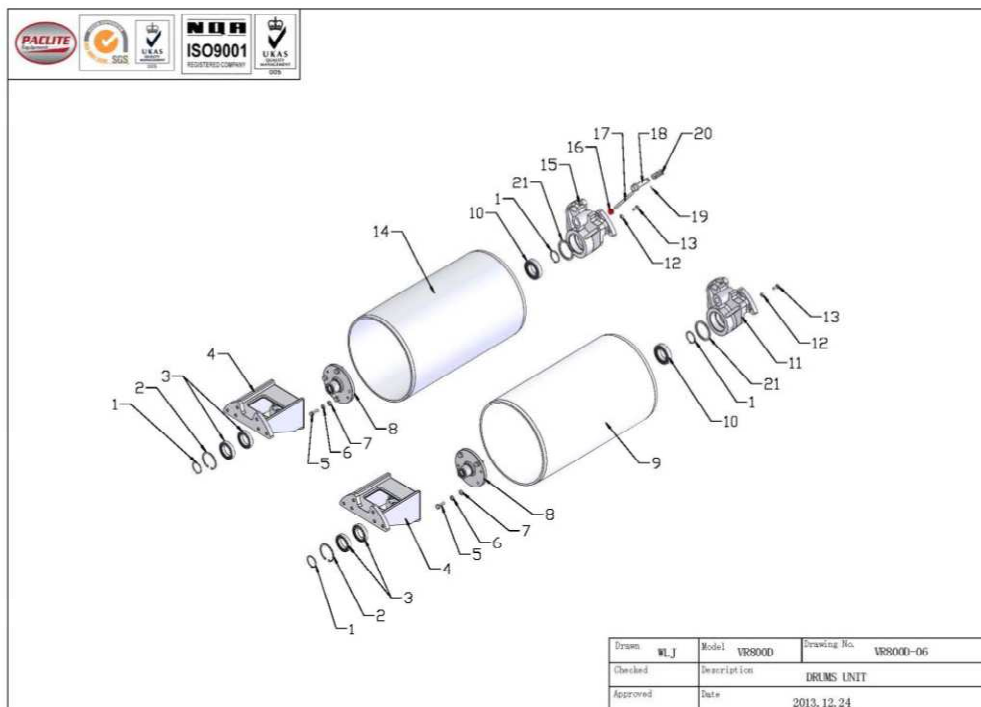


VR800D-05 EXCITER BOX UNIT

NO.	PART NO.	PART DESCRIPTION	QTY	Unit Price (EUR) 2013
-----	----------	------------------	-----	--------------------------

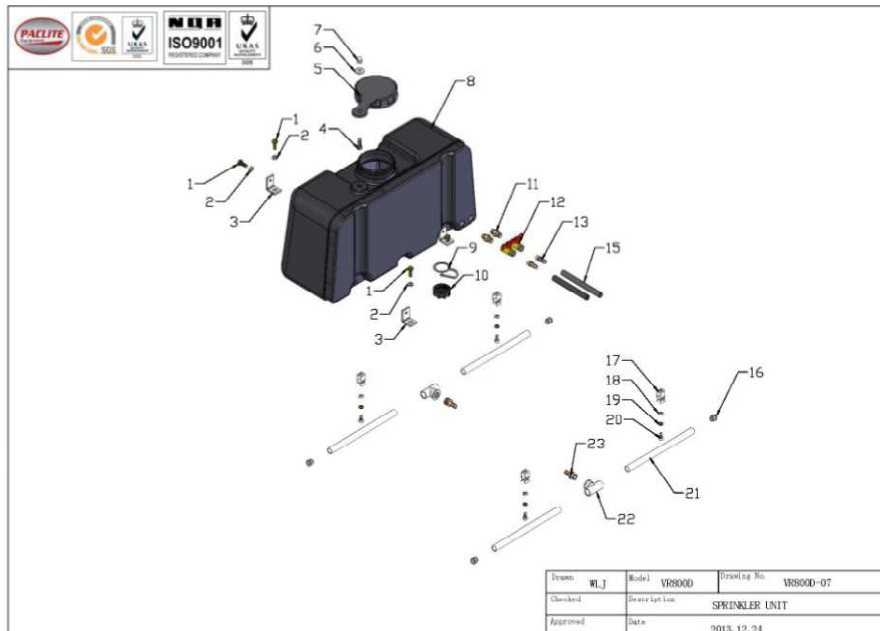
VR800D-06 DRUMS UNIT

NO.	PART NO.	PART DESCRIPTION	QTY	Unit Price (EUR) 2013
06-1	VR800D-CS.RG50	EXTERNAL CIRCLIP	4	1,04 €
06-2	VR800D-CH.RG80	INTERNAL CIRCLIP	2	2,24 €
06-3	VR800D-W01-6010LLU-J	BEARING	4	37,12 €
06-4	VR800D-800-060100	BRACKET	2	127,94 €
06-5	VR800D-FN.B-M12x35-8.8-DIN-1	BOLT	8	0,40 €
06-6	VR800D-HSPG.W12-DIN-1	SPRING WASHER,TANG ENDS	8	0,32 €
06-7	VR800D-FN.W12-DIN-1	WASHER	8	0,16 €
06-8	VR800D-6.5-060200	FLANGE SHAFT	2	336,80 €
06-9	VR800D-800-060300	FRONT DRUM	1	389,94 €
06-10	VR800D-W01-6210LLU-J	BEARING	2	37,12 €
06-11	VR800D-800-060500	FRONT LEFT BRACKET	1	215,00 €
06-12	VR800D-HSPG.W10-DIN-1	SPRING WASHER,TANG ENDS	2	0,36 €
06-13	VR800D-FN.B-M10x20-8.8-DIN-1	BOLT	2	0,16 €
06-14	VR800D-800-060600	REAR DRUM	1	395,91 €
06-15	VR800D-800-060800	REAR LEFT BRACKET	1	236,56 €
06-16	VR800D-SH.A-M8x25	GRIP BALL	1	3,28 €
06-17	VR800D-6.5-060700	PARKING HANDLE	1	24,08 €
06-18	VR800D-6.5-060900	STOPPER SHAFT	1	35,76 €
06-19	VR800D-SC.PIN-3x18-GB-3	SPRING PIN	1	0,20 €
06-20	VR800D-6.5-061000	SPRING	1	0,36 €
06-21	VR800D-800-060900	WASHER	2	5,20 €



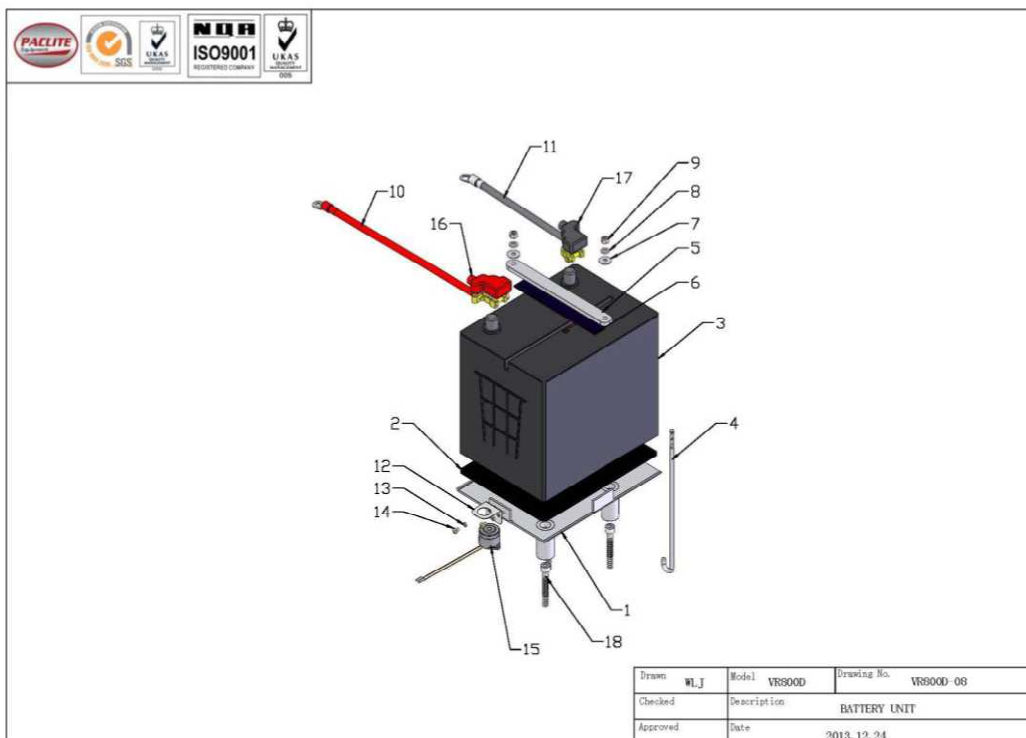
VR800D-07 SPRINKLER UNIT

NO.	PART NO.	PART DESCRIPTION	QTY	Unit Price (EUR) 2013
07-1	VR800D-FN.B-M10x25-8.8-DIN-1	BOLT	6	0,24 €
07-2	VR800D-HSPG.W10-DIN-1	SPRING WASHER,TANG ENDS	6	0,36 €
07-3	VR800D-650-070300	BRACKET	3	9,04 €
07-4	VR800D-FN.B-M10x30-8.8-DIN-1	BOLT	1	0,28 €
07-5	VR800D-650-070200	WATER TANK CAP	1	40,26 €
07-6	VR800D-WOD.W10-GB-1	WASHER	1	0,16 €
07-7	VR800D-HC.N-M10-DIN-1	CAP NUT	1	4,00 €
07-8	VR800D-650-070100	WATER TANK	1	135,46 €
07-9	VR800D-70B-010113P	STRAP	1	4,08 €
07-10	VR800D-70B-010112P	FUEL TANK CAP	1	30,15 €
07-11	VR800D-650-070400	CONNECTOR	2	12,04 €
07-12	VR800D-6.5-070001	CULVERT VALVE	2	10,04 €
07-13	VR800D-20-000703	HOSE NIPPLE	2	7,52 €
07-14	VR800D-6.5-070003	HYDRAULIC HOSE	1	12,04 €
07-15	VR800D-6.5-070004	HYDRAULIC HOSE	1	12,04 €
07-16	VR800D-90BII-060300	STOPPER	4	2,52 €
07-17	VR800D-6.5-080000	PIPE HOLDER	4	2,00 €
07-18	VR800D-FN.W8-DIN-1	WASHER	4	0,16 €
07-19	VR800D-HSPG.W8-DIN-1	SPRING WASHER,TANG ENDS	4	0,20 €
07-20	VR800D-HS.B-M8x16-8.8-GB-1	SCREW	4	0,20 €
07-21	VR800D-6.5D-070200	HOSE	4	10,04 €
07-22	VR800D-90BII-000005	TEE COUPLING (1/2x20.5)	2	16,56 €
07-23	VR800D-90BII-000001	HOSE NIPPLE	2	8,52 €



VR800D-08 BATTERY UNIT

NO.	PART NO.	PART DESCRIPTION	QTY	Unit Price (EUR) 2013
08-1	VR800D-800-080700	BATTERY BOX	1	61,68 €
08-2	VR800D-800-080900	DOWN UNDERLAY	1	11,60 €
08-3	VR800D-800-000001D	BATTERY	1	175,96 €
08-4	VR800D-800-080800	Trolley	2	15,08 €
08-5	VR800D-800-081100	Platen	1	10,16 €
08-6	VR800D-800-081000	UP UNDERLAY	1	1,32 €
08-7	VR800D-WOD.W6-GB-1	WASHER	2	0,16 €
08-8	VR800D-HSPG.W6-DIN-1	SPRING WASHER,TANG ENDS	2	0,20 €
08-9	VR800D-FN.N-M6-DIN-1	NUT	2	0,16 €
08-10	VR800D-800-080300	ANODE WIRE	1	15,52 €
08-11	VR800D-800-080400	CATHODE WIRE	1	37,84 €
08-12	VR800D-6.5D-080600	BUZZER BRACKET	1	6,88 €
08-13	VR800D-SPG.W4-DIN-2	SPRING WASHER	2	0,16 €
08-14	VR800D-PAN.S-M4x6	PAN HEAD SCREW	2	0,16 €
08-15	VR800D-6.5D-080500	BUZZER	1	20,08 €
08-16	VR800D-800-080100	ANODE CAP	1	Cancelled
08-17	VR800D-800-080200	CATHODE CAP	1	
08-18	VR800D-HS.B-M8x60-8.8-GB-1	SCREW	3	0,24 €



VR800D-09 COVER UNIT

NO.	PART NO.	PART DESCRIPTION	QTY	Unit Price (EUR) 2013
09-1	VR800D-800DK-090200.5	COVER	1	120,50 €
09-2	VR800D-W07-466236	STANDOFF HINGE	2	11,68 €
09-3	VR800D-800DK-090200.7	MAIN FRAME	1	104,28 €
09-4	VR800D-800-090200.13	GAS SPRING BRACKET	1	9,80 €
09-5	VR800D-800-090100K	SIDE COVER	1	180,60 €
09-6	VR800D-W08-000001	GAS SPRING	1	98,19 €
09-7	VR800D-FN.B-M8x25-8.8-DIN-1	BOLT	2	0,20 €
09-8	VR800D-FN.W8-DIN-1	WASHER	4	0,16 €
09-9	VR800D-IN.N-M8-DIN-1	LOCK NUT	2	0,16 €
09-10	VR800D-HSF.S-M6x20-8.8-DIN-1	SCREW	4	0,24 €
09-11	VR800D-FN.W6-DIN-1	WASHER	6	0,16 €
09-12	VR800D-IN.N-M6-DIN-1	LOCK NUT	4	0,16 €
09-13	VR800D-FN.B-M6x12-8.8-DIN-1	BOLT	10	0,16 €
09-14	VR800D-FNL..W6-GB-1	LARGE WASHER	14	0,16 €
09-15	VR800D-FN.B-M6x25-8.8-DIN-1	BOLT	6	0,16 €
09-16	VR800D-5-31-2253006021	WEL NUT	6	4,00 €
09-17	VR800D-650-090110	RUBBER WASHER	8	2,52 €
09-18	VR800D-W07-DK609	HASP	2	16,28 €
09-19	VR800D-HS.B-M4x10-8.8-GB-1	SCREW	8	0,20 €
09-20	VR800D-IN.N-M4-DIN-1	LOCK NUT	8	0,20 €

