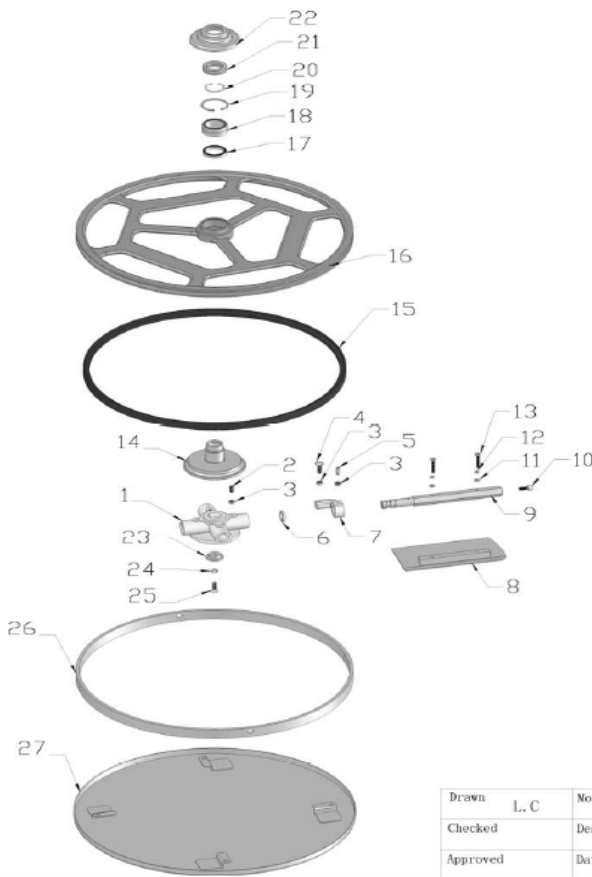


M600-01 SPIDER ASSY

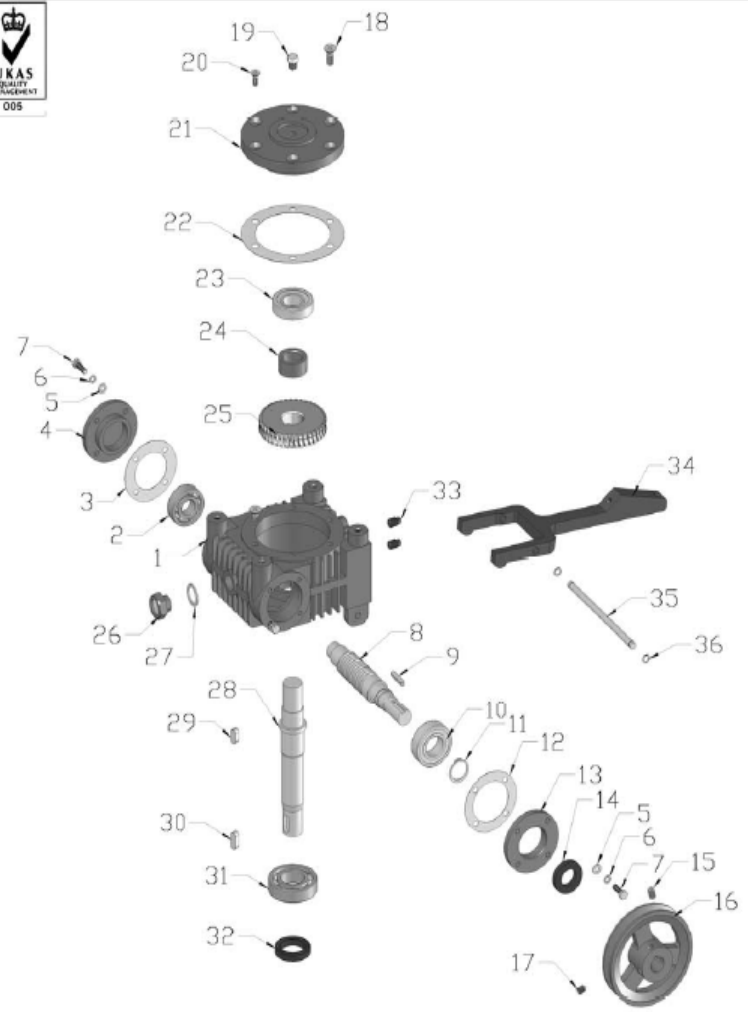


Drawn	L. C	Model	M600	Drawing No.	M600-01P
Checked		Description	SPIDER ASSY		
Approved		Date	2009. 7. 28.		

M600-01 SPIDER ASSY

NO. 序号	PART NO. 图号	PART DESCRIPTION 品名	QTY 数量	UNIT PRICE (EUR)
01-1	M600-606-050301	SPIDER (十字连接器)	1	
01-2	M600-ConeHSS.S-M8x20	GRUB SCREW (锥端紧定螺钉)	4	
01-3	M600-FNL.N-M8	HEXAGON THIN NUT (六角薄螺母)	12	
01-4	M600-CHSN.B-M8x25-GB-1	BOLT (半圆头方颈螺栓)	4	
01-5	M600-GB79-85-M8x20	SOCKET SCREW WITH CYLINDRICAL POINT(内六角圆柱端紧定螺钉)	4	
01-6	M600-W03-DH-20	OIL SEAL (油封)	4	
01-7	M600-606-050401	TILT ARM (连接头)	4	
01-8	M600-606-050100	BLADE (刀片)	4	
01-9	M600-606-050501	SPIDER ARM (六角棒)	4	
01-10	M600-HS.B-M8x20-8.8-GB-1	SCREW (内六角螺钉)	4	
01-11	M600-FN.W6-DIN-1	WASHER (平垫)	8	
01-12	M600-SPG.W6-DIN-1	SPRING WASHER (弹垫)	8	
01-13	M600-FN.B-M6x35-8.8-DIN-1	BOLT (六角螺栓)	8	
01-14	M600-606-040303	TILT PLATE (台阶圈)	1	
01-15	M600-606-040802	RUBBER RING (橡胶圈)	1	
01-16	M600-606-040801	GUARD PLATE (护盘)	1	
01-17	M600-W01-6808RS-J	BEARING (轴承)	1	
01-18	M600-W01-NKI 40/20-J	BEARING (轴承)	1	
01-19	M600-CH.RG55	INTERNAL CIRCLIP (孔用弹性挡圈)	1	
01-20	M600-SS.RG40	EXTERNAL CIRCLIP (轴用钢丝挡圈)	1	
01-21	M600-W01-51107-J	BEARING (轴承)	1	
01-22	M600-606-040302	BEARING COVER (轴承盖)	1	
01-23	M600-606-050701	END CAP (端盖)	1	
01-24	M600-CETL.W8	COUNTERSUNK EXTERNAL TOOTHED LOCK WASHER(锥形锁紧垫圈)	1	
01-25	M600-HSF.S-M8x25	SOCKET COUNTERSUNK HEAD SCREW (内六角沉头螺钉)	1	
01-26	M600-606-050601	GUARD RING (护圈)	1	
01-27	M600-606-040803	ROUND PAN (抹盘)	1	

M600-02 GEARBOX ASSY

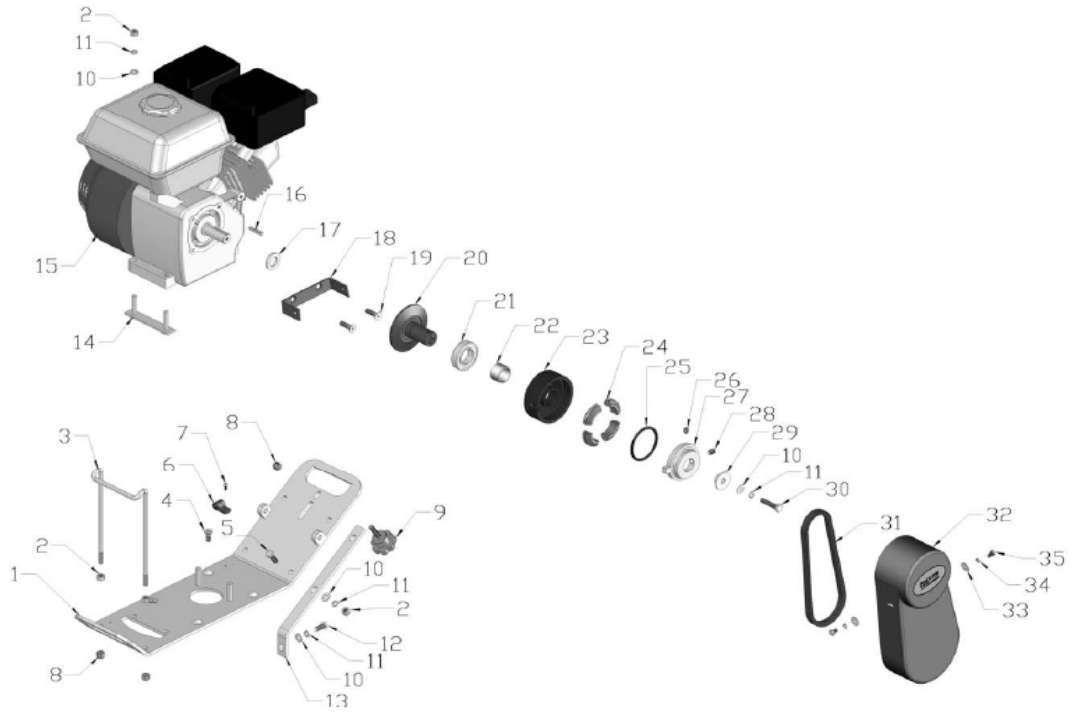


Drawn	L. C	Model	M600	Drawing No.	M600-02
Checked		Description	GEARBOX ASSY		
Approved		Date	2009. 7. 28.		

M600-02 GEARBOX ASSY

NO. 序号	PART NO. 图号	PART DESCRIPTION 品名	QTY 数量	UNIT PRICE (EUR)
02-1	M600-606-040101	WORM GEAR BOX (蜗轮箱)	1	
02-2	M600-W01-6204-J	BEARING (轴承)	1	
02-3	M600-606-040106	SEAL, CLOSE COVER (闷盖纸垫片)	1	
02-4	M600-606-040103	CLOSE COVER (闷盖)	1	
02-5	M600-FN.W6-DIN-1	WASHER (平垫)	8	
02-6	M600-SPG.W6-DIN-1	SPRING WASHER (弹垫)	8	
02-7	M600-FN.B-M6x20-8.8-DIN-1	BOLT (六角螺栓)	8	
02-8	M600-606-040203	WORM (蜗杆)	1	
02-9	M600-Key.A-5x5x28	KEY (键)	1	
02-10	M600-W01-6205Z-J	BEARING (轴承)	1	
02-11	M600-CS.RG25	EXTERNAL CIRCLIP (轴用挡圈)	1	
02-12	M600-606-040107	SEAL,SIDE COVER (透盖纸垫片)	1	
02-13	M600-606-040104	SIDE COVER (透盖)	1	
02-14	M600-W03-40x22x7	OIL SEAL (油封)	1	
02-15	M600-FHSS.S-M8x12	GRUB SCREW (内六角平端紧定螺钉)	1	
02-16	M600-70G-040314	PULLEY (皮带轮)	1	
02-17	M600-ConeHSS.S-M8x12	SOCKET HEAD SCREW (内六角锥端紧定螺钉)	1	
02-18	M600-HSF.S-M8x20	SOCKET COUNTERSUNK HEAD SCREW(内六角沉头螺钉)	5	
02-19	M600-606-040108	VENT SCREW (螺纹通气螺丝)	1	
02-20	M600-HSF.S-M8x16	SOCKET COUNTERSUNK HEAD SCREW(内六角沉头螺钉)	1	
02-21	M600-606-040102	TOP COVER (蜗轮箱顶盖)	1	
02-22	M600-606-040105	SEAL, TOP COVER (纸垫片)	1	
02-23	M600-W01-30205-J	BEARING (轴承)	1	
02-24	M600-606-040204	BUSH (套)	1	
02-25	M600-100G-040201	WORM GEAR (蜗轮)	1	
02-26	M600-100GB-041000	OIL GAUGE (油标)	1	
02-27	M600-ZH-D-M20	WASHER (组合垫圈)	1	
02-28	M600-606-040202	WORM GEAR SHAFT (蜗轮轴)	1	
02-29	M600-Key.A-8x7x18	KEY (平键)	1	
02-30	M600-Key.A-8x7x25	KEY (平键)	1	
02-31	M600-6206Z-J	BEARING(轴承)	1	
02-32	M600-W03-45x30x8	OIL SEAL (油封)	1	
02-33	M600-100GB-040111	STOPPER (堵头)	2	
02-34	M600-606-040304	TILT YOKE (拨叉)	1	
02-35	M600-606-040301	PIN (销)	1	
02-36	M600-CS.RG8	EXTERNAL CIRCLIP (轴用挡圈)	2	

M600-03 ENGINE BASE AND CLUTCH ASSY



Drawn	L. C	Model	M600	Drawing No.	M600-03
Checked		Description	ENGINE BASE & CLUTCH ASSY		
Approved		Date	2009. 7. 28.		

M600-03 ENGINE BASE AND CLUTCH ASSY

NO. 序号	PART NO. 图号	PART DESCRIPTION 品名	QTY 数量	UNIT PRICE (EUR)
03-1	M600-606-01000C	ENGINE BASE (底板焊接)	1	
03-2	M600-FN.N-M8-DIN-1	NUT (螺母)	10	
03-3	M600-606-010201	HOOK (挂钩)	1	
03-4	M600-HSF.S-M8x20	SOCKET COUNTERSUNK HEAD SCREW(内六角沉头螺钉)	4	
03-5	M600-FN.B-M8x25-8.8-DIN-1	BOLT (六角螺栓)	4	
03-6	M600-3-7040(X1-J-10.4)	WIRE CLIP (固线夹)	2	
03-7	M600-PAN.S-M4x10	PAN HEAD SCREW (十字盘头槽螺钉)	2	
03-8	M600-IN.N-M8-DIN-1	LOCK NUT (防松螺母)	3	
03-9	M600-StarH-M8x35	STAR GRIP KNOB (五角星形把手)	1	
03-10	M600-FN.W8-DIN-1	WASHER (平垫)	11	
03-11	M600-SPG.W8-DIN-1	SPRING WASHER (弹垫)	11	
03-12	M600-FN.B-M8x20-8.8-DIN-1	BOLT (六角螺栓)	2	
03-13	M600-606-010501	BRACKET (支架)	2	
03-14	M600-100G-030400	BOLT (螺栓组)	1	
03-15	M600-W05-EX13	ENGINE (引擎)	1	
03-16	M600-Key.B-5x5x30	KEY (平键)	1	
03-17	M600-606-070102	WASHER (垫圈)	1	
03-18	M600-606-040702	BRACKET (撑脚)	1	
03-19	M600-HSF.S-M8x30	SOCKET COUNTERSUNK HEAD SCREW(内六角沉头螺钉)	2	
03-20	M600-606-070100	SHAFT (轴)	1	
03-21	M600-W01-6006ZZ-J	BEARING (轴承)	1	
03-22	M600-100G-070500	BUSH (衬套)	1	
03-23	M600-100G-070200	CLUTCH DRUM (离合器盖)	1	
03-24	M600-100G-070400	CLUTCH BLOCK (离心块)	4	
03-25	M600-100G-070109	SPRING (弹簧)	1	
03-26	M600-ConeHSS.S-M8x12	SOCKET HEAD SCREW (内六角锥端紧定螺钉)	1	
03-27	M600-100G-070300	CLUTCH PLATE (离合器底座)	1	
03-28	M600-FHSS.S-M8x12	GRUB SCREW (内六角平端紧定螺钉)	1	
03-29	M600-606-070101	WASHER (挡圈)	1	
03-30	M600-FN.B-M8x40-8.8-DIN-1	BOLT (六角螺栓)	1	
03-31	M600-W02-A23.5	V BELT (V型皮带)	1	
03-32	M600-606-040701	BELT COVER (皮带罩)	1	
03-33	M600-WOD.W6	WASHER (大垫圈)	2	
03-34	M600-SPG.W6-DIN-1	SPRING WASHER (弹垫)	2	
03-35	M600-FN.B-M6x10-8.8-DIN-1	BOLT (六角螺栓)	2	

M600-04 OPERATION HANDLE ASSY

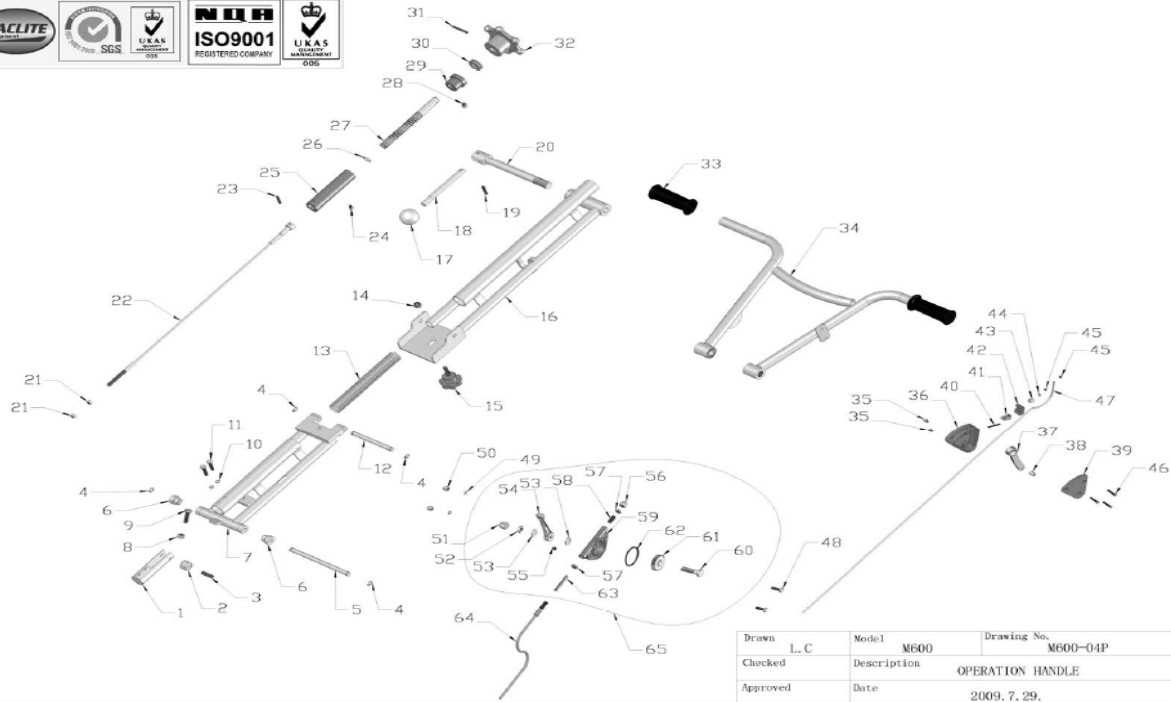


Drawn	L. C	Model	M600	Drawing No.	M600-04P
Checked		Description	OPERATION HANDLE		
Approved		Date	2009. 7. 29.		

M600-04 OPERATION HANDLE ASSY

NO. 序号	PART NO. 图号	PART DESCRIPTION 品名	QTY 数量	UNIT PRICE (EUR)
04-1	M600-606-000601	WHEEL BRACKET(滑轮支架)	1	
04-2	M600-606-000501	WHEEL(滑轮)	1	
04-3	M600-SC.PIN-8x28	SPRING PIN (弹性圆柱销)	1	
04-4	M600-CS.RG10	EXTERNAL CIRCLIP (轴用挡圈)	4	
04-5	M600-606-020801	PIN (销)	1	
04-6	M600-606-020401	BUSH (轴套)	2	
04-7	M600-606-020100	HANDLE BOTTOM (下支撑杆焊接)	1	
04-8	M600-FN.N-M8-DIN-1	NUT (螺母)	1	
04-9	M600-FN.B-M8x30-8.8-DIN-1	BOLT (六角螺栓)	1	
04-10	M600-SPG.W6-DIN-1	SPRING WASHER (弹垫)	2	
04-11	M600-FN.B-M6x30-8.8-DIN-1	BOLT (六角螺栓)	2	
04-12	M600-606-021301	PIN (销)	1	
04-13	M600-606-000006	SPRING (弹簧)	1	
04-14	M600-IN.N-M8-DIN-1	LOCK NUT (防松螺母)	1	
04-15	M600-StarH-M8x35	STAR GRIP KNOB (五角星形把手)	1	
04-16	M600-606-020200	HANDLE TOP (上支撑杆焊接)	1	
04-17	M600-SH.A-M12x40	GRIP BALL (手柄球)	1	
04-18	M600-947-99947	BAR (杆)	1	
04-19	M600-SC.PIN-6x30	SPRING PIN (弹性圆柱销)	1	
04-20	M600-606-030501	SCREWD-TOMMY BAR (锁紧螺杆)	1	
04-21	M600-FN.N-M6-DIN-1	NUT (螺母)	2	
04-22	M600-606-000010	DEPTH CONTROL CABLE ASSY(刮板调节钢丝总成)	1	
04-23	M600-SC.PIN-5x28	SPRING PIN (弹性圆柱销)	1	
04-24	M600-HS.B-M5x8-8.8-GB-1	SCREW (内六角螺钉)	1	
04-25	M600-606-000301	SLIDE BUSH(钢丝绳调节活塞)	1	
04-26	M600-CS.RG16	EXTERNAL CIRCLIP (轴用挡圈)	1	
04-27	M600-100G-010003	ADJUSTING SCREW (调节螺杆)	1	
04-28	M600-HS.B-M6x8-8.8-GB-1	SCREW (内六角螺钉)	1	
04-29	M600-606-000701	BEARING COVER(调整盖)	1	
04-30	M600-W01-51103-J	BEARING (轴承)	1	
04-31	M600-SC.PIN-5x40	SPRING PIN (弹性圆柱销)	1	
04-32	M600-100G-010008P	PITCH CONTROL KNOB(钢丝绳调节把手)	1	
04-33	M600-100G-010001	HANDLE COVER (扶手套)	2	
04-34	M600-606-030000P	HANDLE (上扶手)	1	
04-35	M600-F.S-M5x10	COUNTERSUNK HEAD SCREW (螺钉)	2	
04-36	M600-100G-010101	CUTOUT SWITCH SHELL (安全开关壳)	1	
04-37	M600-100G-010103	CUTOUT SWITCH LEVER (安全开关扳杆)	1	
04-38	M600-100G-010104	CUTOUT SWITCH BUSH (安全开关套)	1	
04-39	M600-100G-010102	CUTOUT COVER (安全开关盖)	1	
04-40	M600-F.S-M3x30	COUNTERSUNK HEAD SCREW (十字槽沉头螺钉)	1	
04-41	M600-100G-010107	CUTOUT SWITCH REED (安全开关弹簧片)	1	
04-42	M600-100G-010105	CUTOUT SWITCH OUTLET (安全开关座)	1	
04-43	M600-100G-010106	CUTOUT SWITCH WASHER (安全开关垫圈)	1	
04-44	M600-FN.W3-DIN-2	WASHER (平垫)	1	
04-45	M600-FN.N-M3-DIN-1	NUT (螺母)	2	
04-46	M600-F.S-M4x25	COUNTERSUNK HEAD SCREW (十字沉头螺钉)	3	
04-47	M600-100G-000014	WIRE HARNESS (电线)	1	

M600-04 OPERATION HANDLE ASSY



Drawn	L. C	Model	M600	Drawing No.	M600-04P
Checked		Description	OPERATION HANDLE		
Approved		Date	2009. 7. 29.		

NO. 序号	PART NO. 图号	PART DESCRIPTION 品名	QTY 数量	UNIT PRICE (EUR)
04-48	M600-FN.B-M6x20-8.8-DIN-2	BOLT (六角螺栓)	2	
04-49	M600-SPG.W6-DIN-2	SPRING WASHER (弹垫)	2	
04-50	M600-HC.N-M6-DIN-2	CAP NUT (盖型螺母)	2	
04-51	M600-HC.N-M10-DIN-2	CAP NUT (盖形螺母)	1	
04-52	M600-FNL.N-M10-DIN-2	HEXAGON THIN NUT (六角薄螺母)	1	
04-53	M600-FN.W10-DIN-2	WASHER (平垫)	2	
04-54	M600-70ND-060000	THROTTLE LEVER (油门开关把手)	1	
04-55	M600-FHSS.S-M6x8-GB-3	SOCKET SCREW WITH FLAT HEAD(内六角平端紧定螺钉)	1	
04-56	M600-HC.N-M8-DIN-2	CAP NUT (盖型螺母)	1	
04-57	M600-FNL.N-M8-DIN-2	HEXAGON THIN NUT (六角薄螺母)	2	
04-58	M600-FHSS.S-M8x20-GB-3	SOCKET SCREW WITH FLAT HEAD(内六角平端紧定螺钉)	1	
04-59	M600-70ND-060001	THROTTLE BODY (油门把手盖)	1	
04-60	M600-70ND-060003	BOLT (油门螺栓)	1	
04-61	M600-70ND-060002	THROTTLE GEAR (齿轮)	1	
04-62	M600-W04-45x3	O-RING (O形圈)	1	
04-63	M600-70ND-060004	SLIDER (齿条)	1	
04-64	M600-W06-S04-L1420x1620	THROTTLE CABLE (油门线)	1	
04-65	M600-70ND-010018	THROTTLE LEVER ASSY (油门开关组件)	1	