

VR800 ROLLER PROBLEM

Problem: All hydraulic oil had leaked out **under the pump**. Please advise what to do?

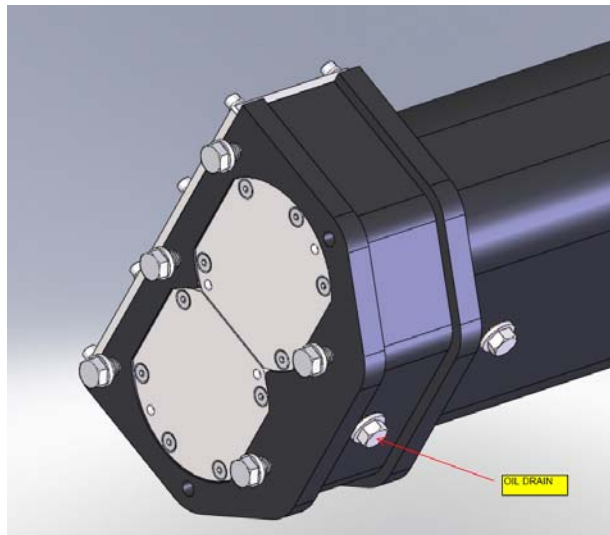
Attached Image:



Possible Causes:

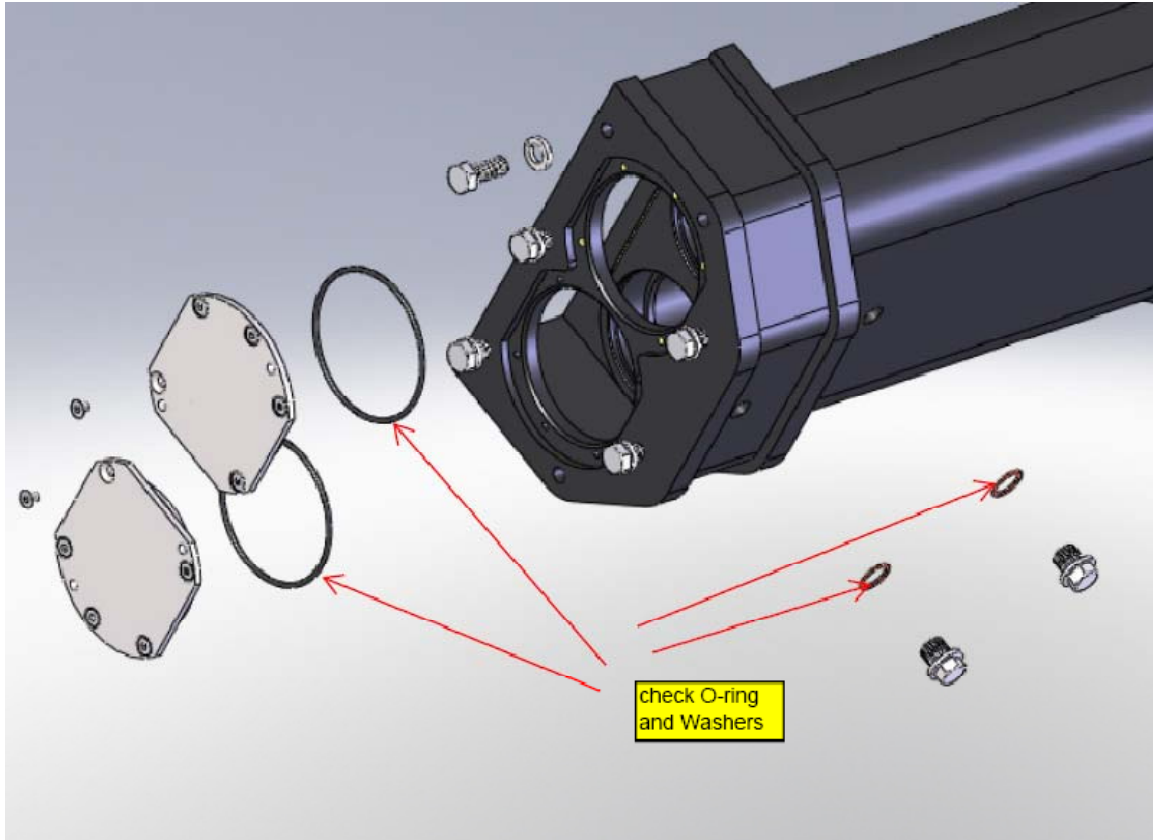
- The image attached while reporting the problem is that of Exciter block(Vibration Casing). The chance of oil leaking from this part is rare. This part contains
 1. Eccentric mass
 2. Pulley and other Attachments
 3. Gear

Please see below image:



Picture-1

- Unscrew this ROL800DK-HHOS.B-M16X1.5 and drain all the oil from gear casing.
- Verify the threads of this bolt; whether it is broken or worn out. Check the washer for possible damages (Refer Picture-2). If answer is yes; replace the bolt or washer.



Picture-2

- Unscrew the gear casing cover and check the O-ring for possible damages. If it is damaged, replace it with new one.

Conclusion:

Above listed bullet points are the possible causes of oil leakage from the exciter block.

Check hydraulic oil hoses for leakages.

Ensure All Connectors are tight.