

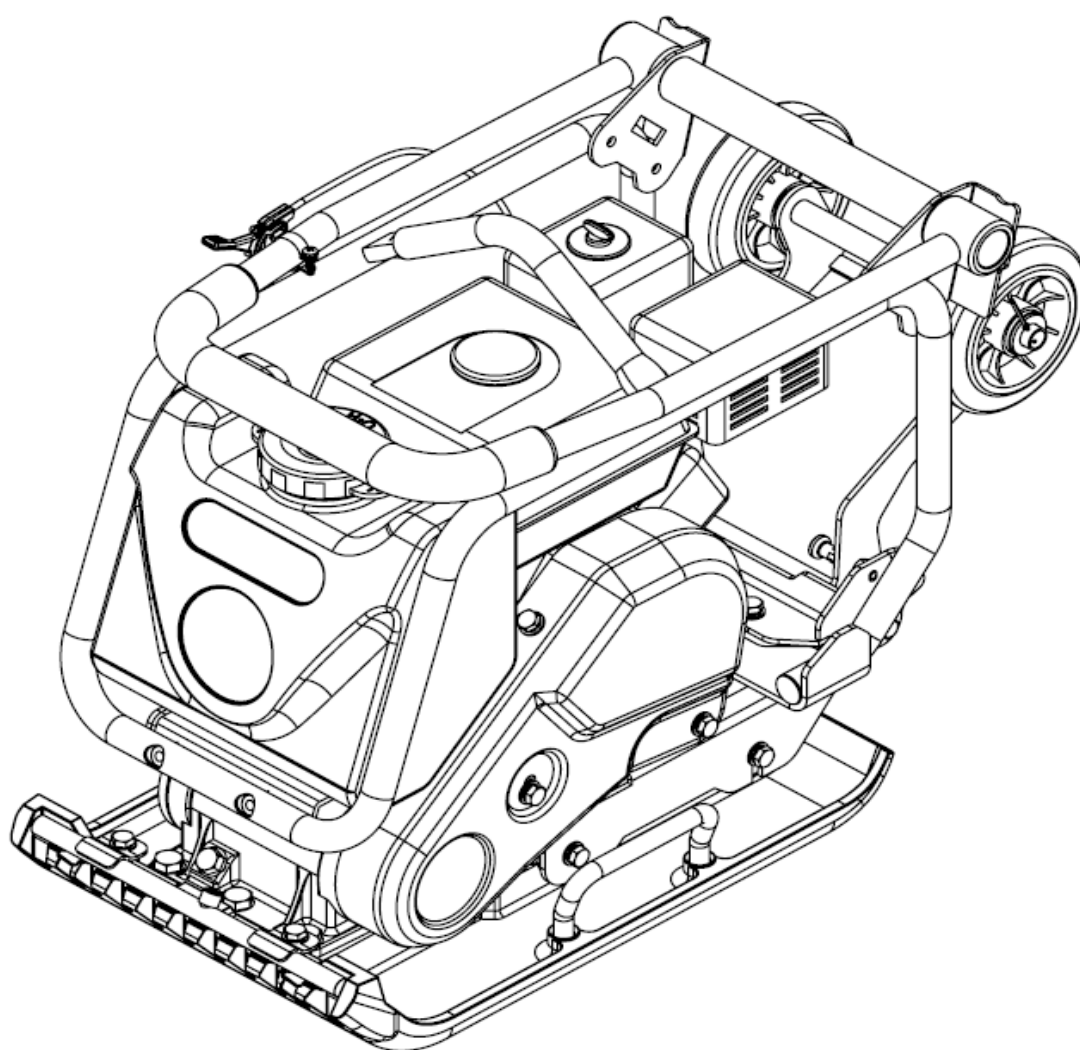
VECTOR 400A



FORWARD PLATE COMPACTOR

Part List Catalogue

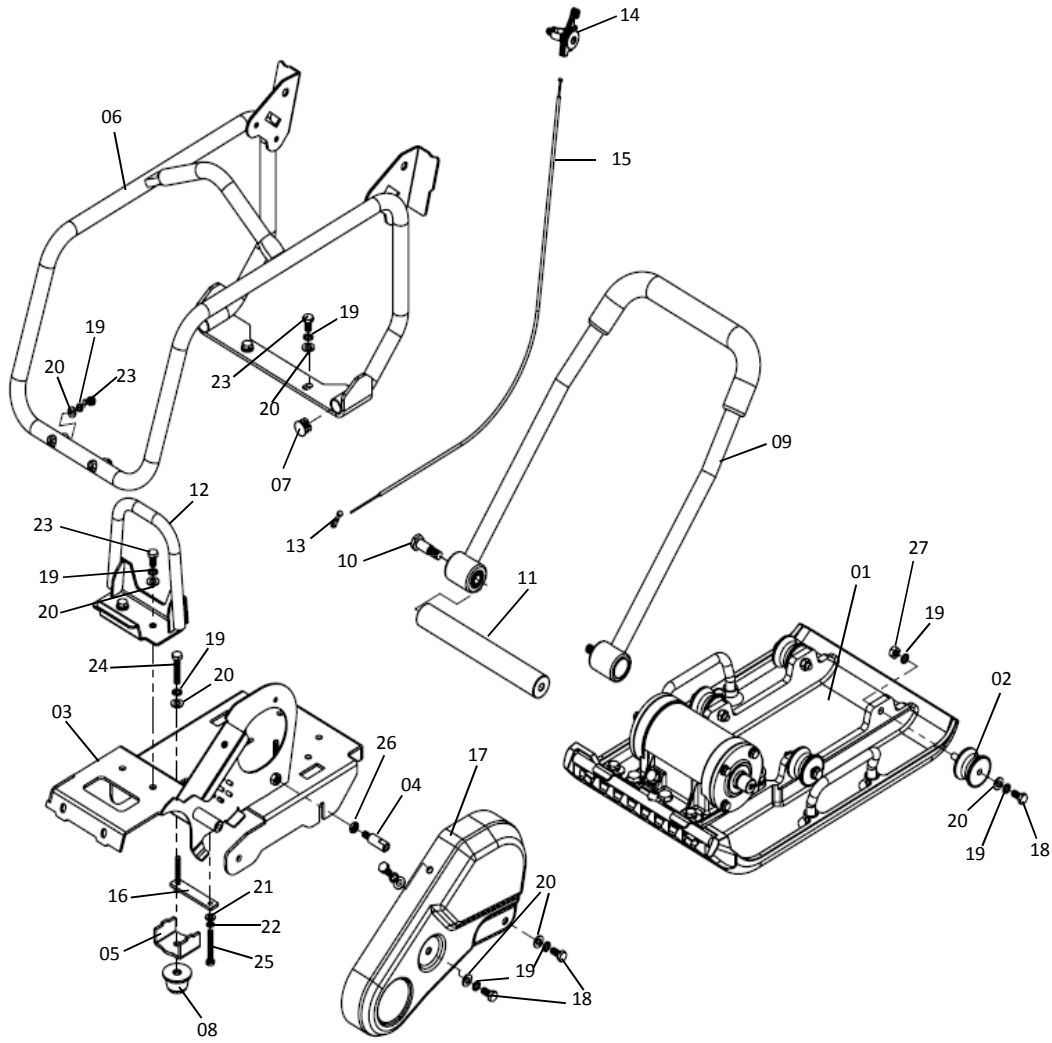
Pièces détachées



(ENGLISH VERSION)

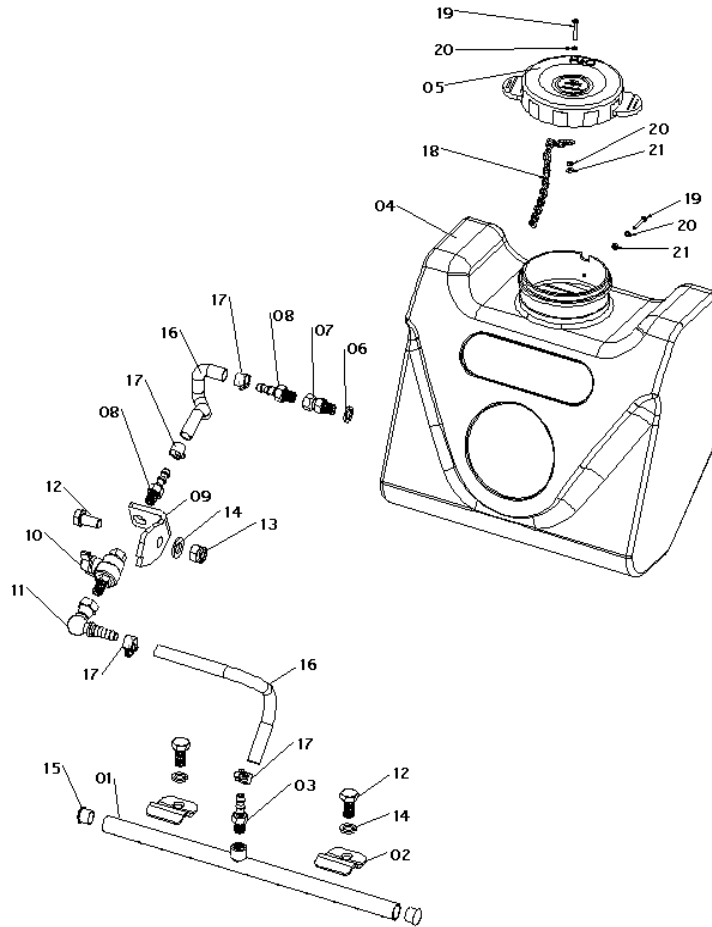
Forward Plate Compactor

VECTOR 400A



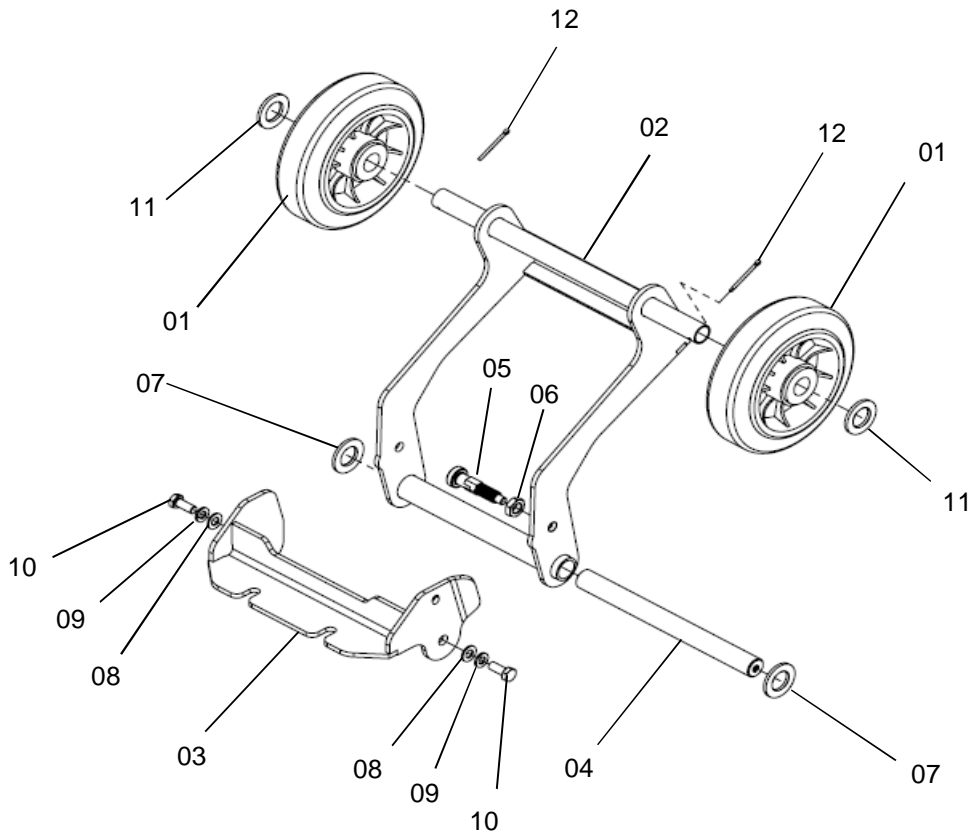
Vector 400A Assembly (201.90.00000)

ITEM NUMBER	PART NUMBER	DESCRIPTION	QUANTITY
1	201.90.11001	Bottom Plate	1
2	201.75.00004	Anti-Vib Mount	4
3	201.90.12100	Engine Plate WA	1
4	201.90.12001	Boss	1
5	201.90.12002	Buffer Bracket	1
6	201.75.12200	Engine Frame WA	1
7	201.75.00006	Tube Bung	2
8	201.75.12003	Rubber Buffer	1
9	201.75.13100	Handle WA	1
10	201.75.00008	Handle Bolt	2
11	201.90.00002	Strut Bar	1
12	201.75.12300	Hook Plate WA	1
13	201.65.00016	Throttle Hook	1
14	201.65.00014	Throttle Lever	1
15	201.65.00015	Throttle Cable	1
16	201.75.00002	Clamp Plate	2
17	201.90.00004	Belt Guard	1
18		Hex Bolt M10x16	3
19		Spring Washer M10	18
20		Flat Washer M10	14
21		Flat Washer M8	12
22		Spring Washer M8	4
23		Hex Bolt M10x25	6
24		Hex Bolt M10x50	1
25		Hex Bolt M8x60	4
26		Hex Thin Nut M10	1
27		Hex Nut M10	4



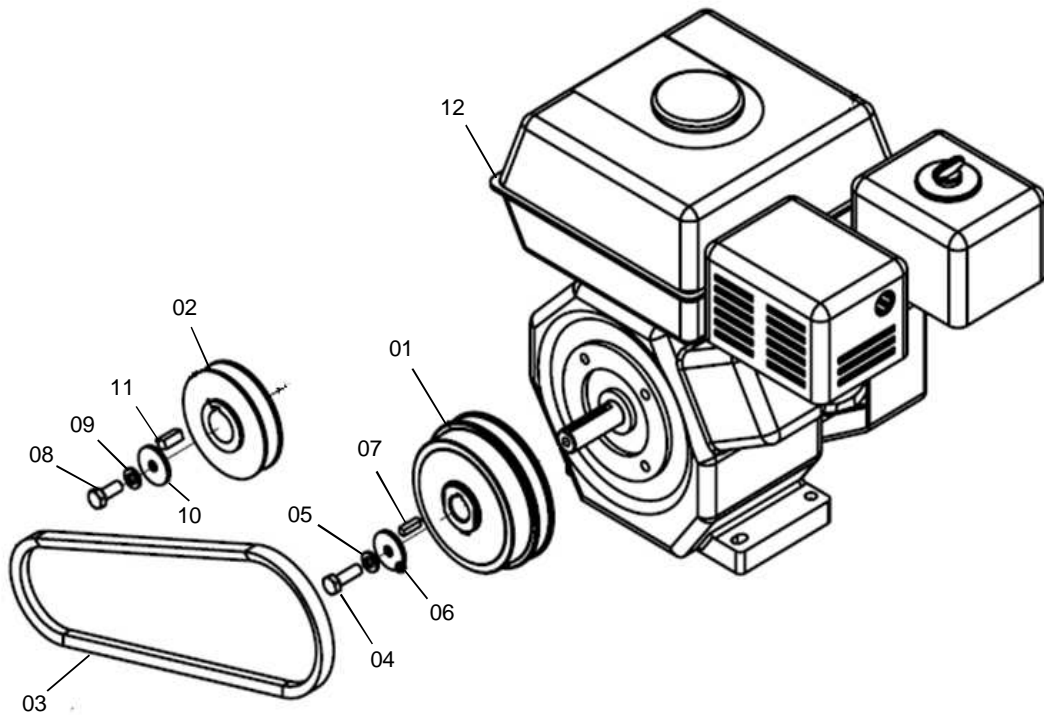
Sprinkler System Assembly

ITEM NUMBER	PART NUMBER	DESCRIPTION	QUANTITY
1	201.90.14101	Water Sprinkler Tube	1
2	201.90.14001	Water Sprinkler Clamp	1
3	201.75.00020	Hosetail (1/8")	1
4	201.75.15100	Water Tank	1
5	201.75.15001	Tank Cap	1
6		Seal Washer (3/8")	1
7	201.75.00012	Adaptor (3/8" x 1/4")	1
8	201.75.00014	Hosetail (1/4")	2
9	201.75.12002	Hose Mount Bracket	1
10	201.75.00015	Ball Valve (1/4" x 1/4")	1
11	201.75.00017	Elbow (1/4")	1
12		Bolt M10 x 25	1
13		Hex Nut M10	1
14		Flat Washer M10	3
15	201.75.14002	Water Sprinkler Tube Cover	2
16		Water Hose	2
17	201.75.00014	Hose Clip 1/4"	4
18	201.75.15002	Chain	1
19		Pan Cross Head M3 x 20	2
20		Flat Washer M3	3
21		Hex Nut M3	2



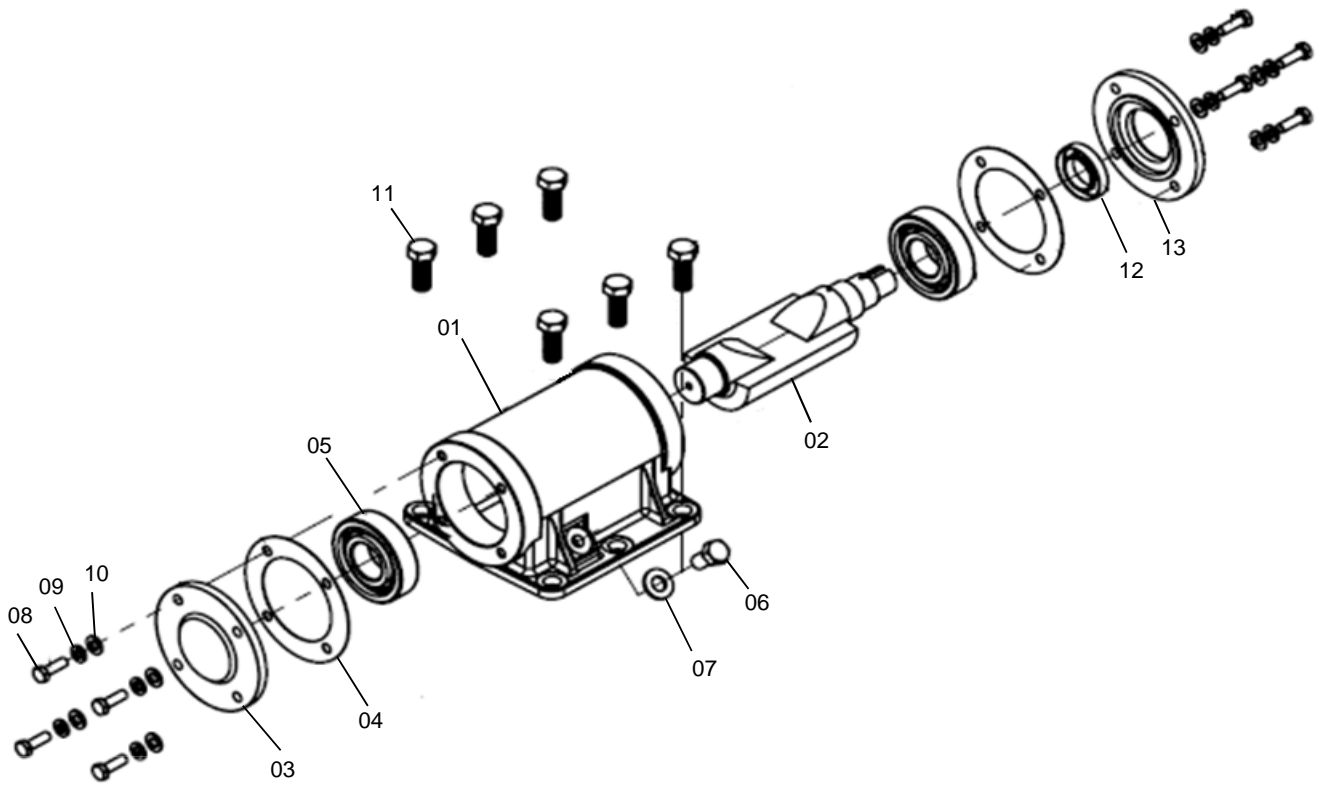
Transporter Assembly (201.75.13000)

ITEM NUMBER	PART NUMBER	DESCRIPTION	QUANTITY
1	201.75.00009	Wheel	2
2	201.75.13100	Wheel Axle WA	1
3	201.75.13200	Wheel Bracket WA	1
4	201.75.13002	Axle Shaft	1
5	201.75.13300	Plunger	1
6		Hex Jam Nut M12	1
7	201.75.13001	Nylon Spacer	2
8		Flat Washer M10	2
9		Spring Washer M10	2
10		Hex Bolt M10 x 25	2
11		Flat Washer M20	2
12		Cotter Pin 3/32" x 1 1/4"	2



Engine and Drive Kit Assembly

ITEM NUMBER	PART NUMBER	DESCRIPTION	QUANTITY
1	201.02.00000	Clutch Pulley	1
2	201.65.00001	Pulley	1
3		V-Belt	1
4		Cap Screw 5/16"x15	1
5	201.65.00003	Clutch Washer	1
6	201.65.00013	Clutch Spacer	1
7	201.75.00012	Clutch Key GX160	1
8		Hexagon Bolt M8 x 20	1
9		Spring Washer M8	1
10	201.75.00003	Shaft Washer	1
11	201.65.00002	Key	1
12	201.75.00010	Engine (HONDA GX160)	1
-	201.75.01000	Drive Unit Repair Kit (consist of item no 1,2 & 3)	1 set



Vibrator Unit Assembly (201.01.00000)

ITEM NUMBER	PART NUMBER	DESCRIPTION	QUANTITY
1	201.01.00001	Vibrator Housing	1
2	201.01.00002	Vibrator Shaft	1
3	201.01.00003	Cover Blind	1
4	201.01.00005	Gasket	2
5		Bearing	2
6		Hexagon Bolt 1/2"x 3/4"	1
7	201.01.00006	Seal Washer	1
8		Hexagon Bolt M8x25	8
9		Spring Washer M8	8
10		Flat Washer M8	8
11		Hexagon Bolt M14x35	6
12		Oil Seal	1
13	201.01.00004	Cover Pulley	1
-	201.01.01000	Vibrator Unit Repair Kit 1 (Consist of item no 4,5 & 12)	1 Set

Paclite Equipment a brand within Uni-Corp

UNI-Corp Europe



+33 (0) | 49 81 69 55

Paclite Equipment



+33 (0) | 48 98 40 88

33, avenue Pierre Brossolette

94085 Créteil -FRANCE

www.paclite-equip.com

