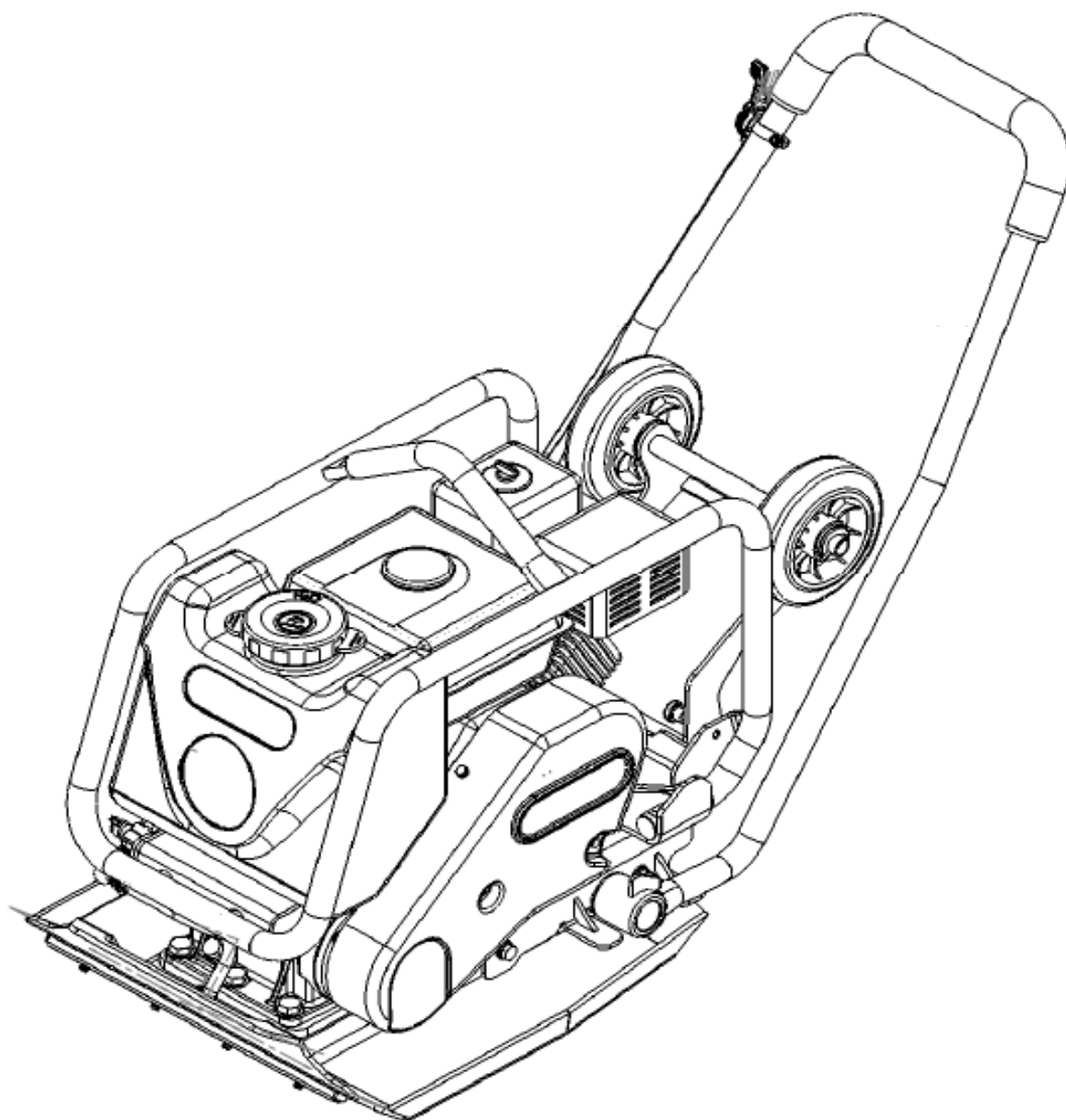


VECTOR 3.0A



FORWARD PLATE COMPACTOR

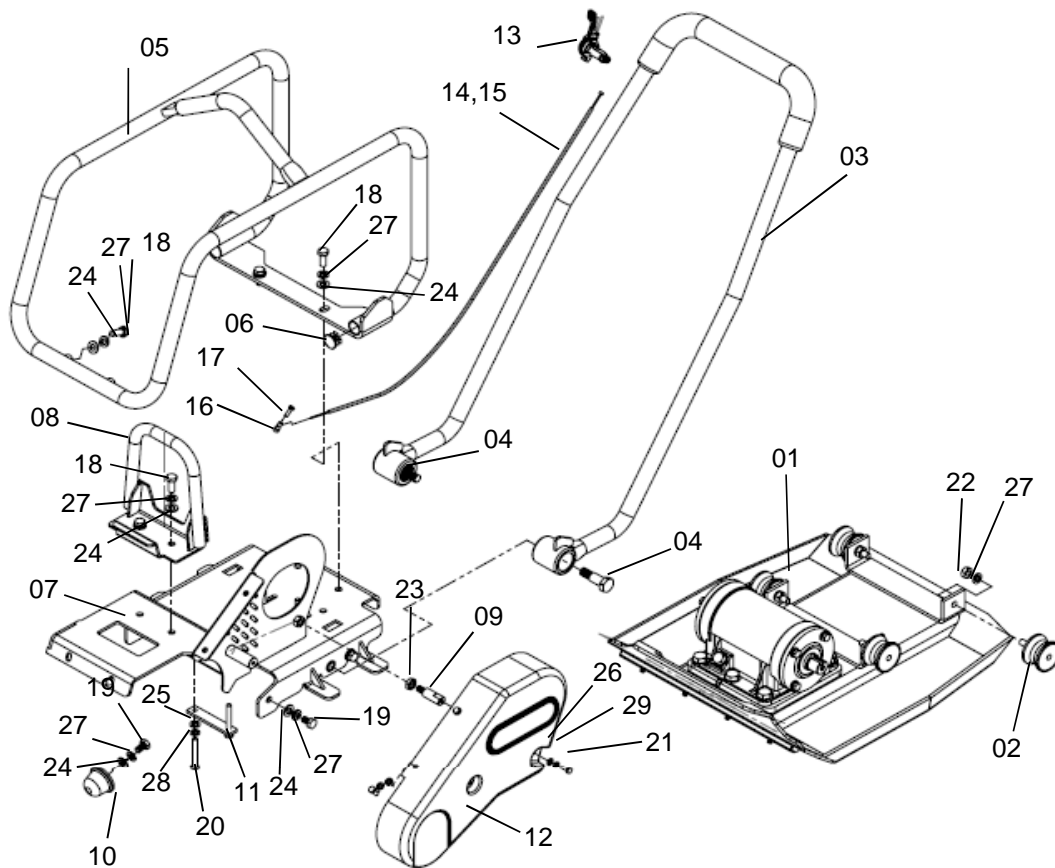
Part List Catalogue *Pièces détachées*



(ENGLISH VERSION)

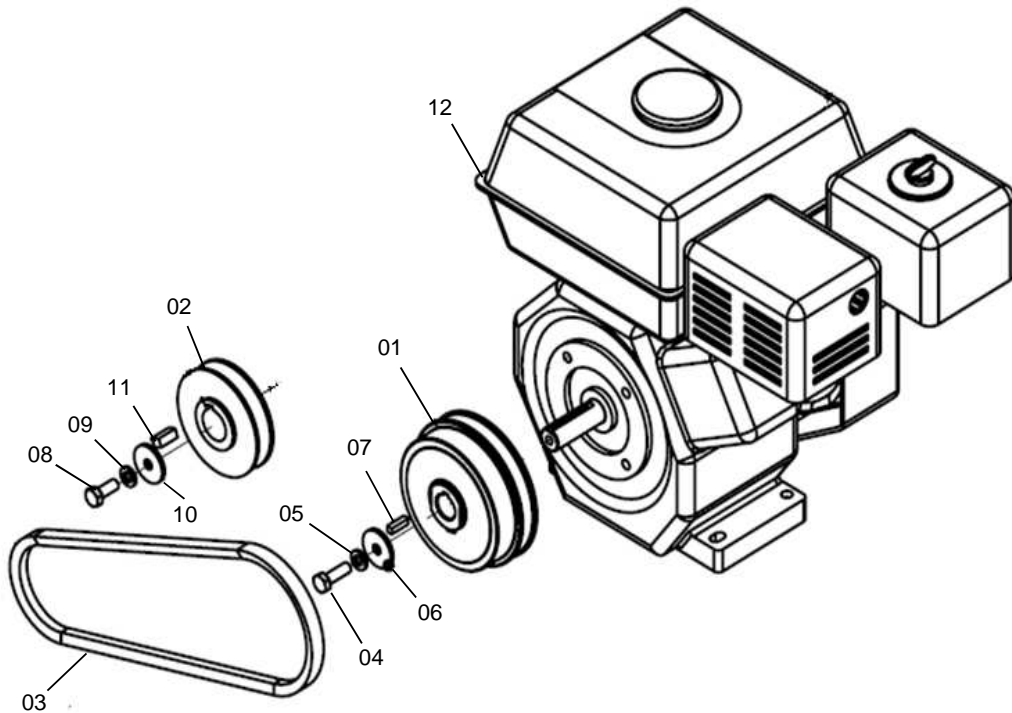
Forward Plate Compactor

VECTOR 3.0A



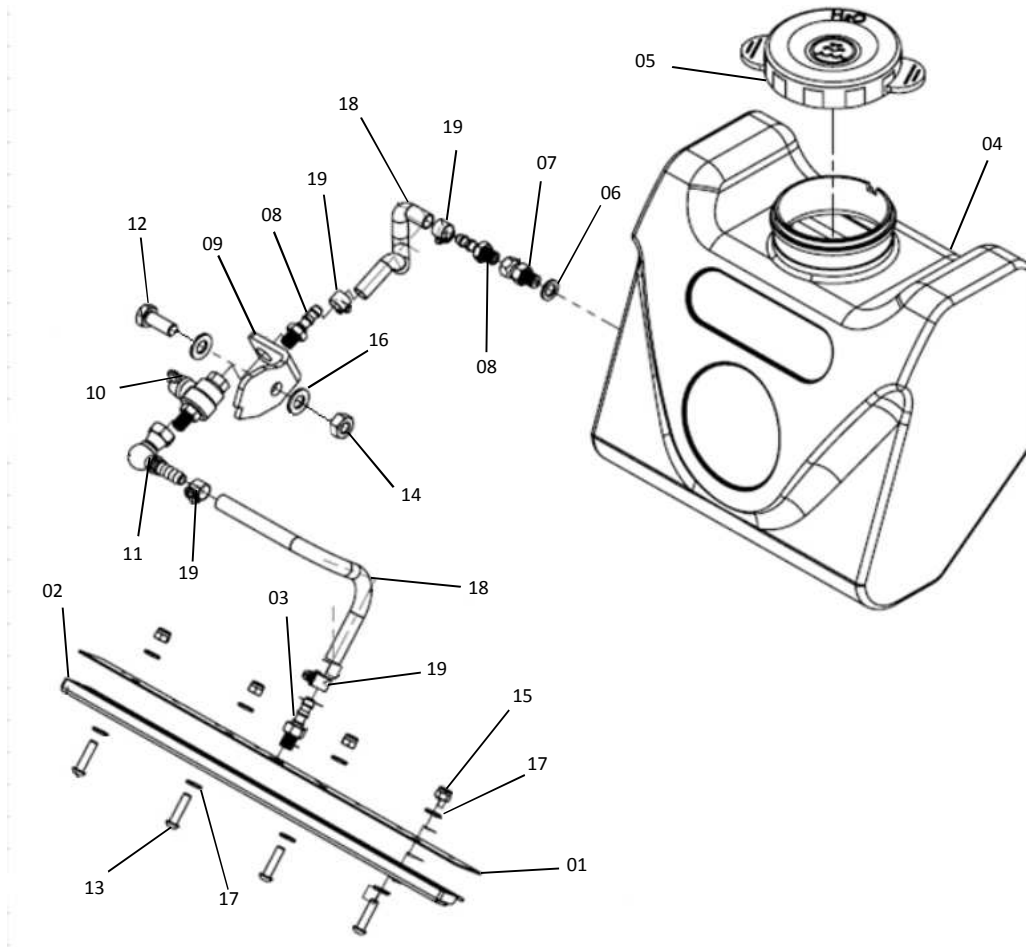
Vector 3.0A Assembly (201.75.00000)

| ITEM NUMBER | PART NUMBER | DESCRIPTION | QUANTITY |
|-------------|--------------|-----------------------------------------------------------|----------|
| 1 | 201.75.11100 | Base Plate WA | 1 |
| 2 | 201.75.00004 | Anti Vib Mount | 4 |
| 3 | 201.75.14000 | Handle Assy | 1 |
| 4 | 201.75.00008 | Handle Bolt | 2 |
| 5 | 201.75.12200 | Engine Frame WA | 1 |
| 6 | 201.75.00006 | Tube Bung | 2 |
| 7 | 201.75.12100 | Engine Plate WA | 1 |
| 8 | 201.75.12300 | Hook Plate WA | 1 |
| 9 | 201.75.12001 | Boss | 1 |
| 10 | 201.75.12003 | Stop Buffer | 1 |
| 11 | 201.75.00002 | Clamp Plate | 2 |
| 12 | 201.75.00007 | Belt Guard (c/w Paclite, model and safety decal stickers) | 1 |
| 13 | 201.65.00014 | Throttle Lever | 1 |
| 14 | 201.65.00015 | Flexible Cable | 1 |
| 15 | 201.65.00017 | Cable Housing | 1 |
| 16 | 201.65.00016 | Throttle Hook | 1 |
| 17 | | Bolt M5X15 | 1 |
| 18 | | Bolt M10X25 | 6 |
| 19 | | Bolt M10X16 | 5 |
| 20 | | Bolt M8X60 | 4 |
| 21 | | Bolt M6X16 | 4 |
| 22 | | Hex Nut M10 | 11 |
| 23 | | Hex Jam Nut M10 | 1 |
| 24 | | Flat Washer M10 | 11 |
| 25 | | Flat Washer M8 | 4 |
| 26 | | Flat Washer M6 | 4 |
| 27 | | Spring Washer M10 | 15 |
| 28 | | Spring Washer M8 | 4 |
| 29 | | Spring Washer M6 | 4 |



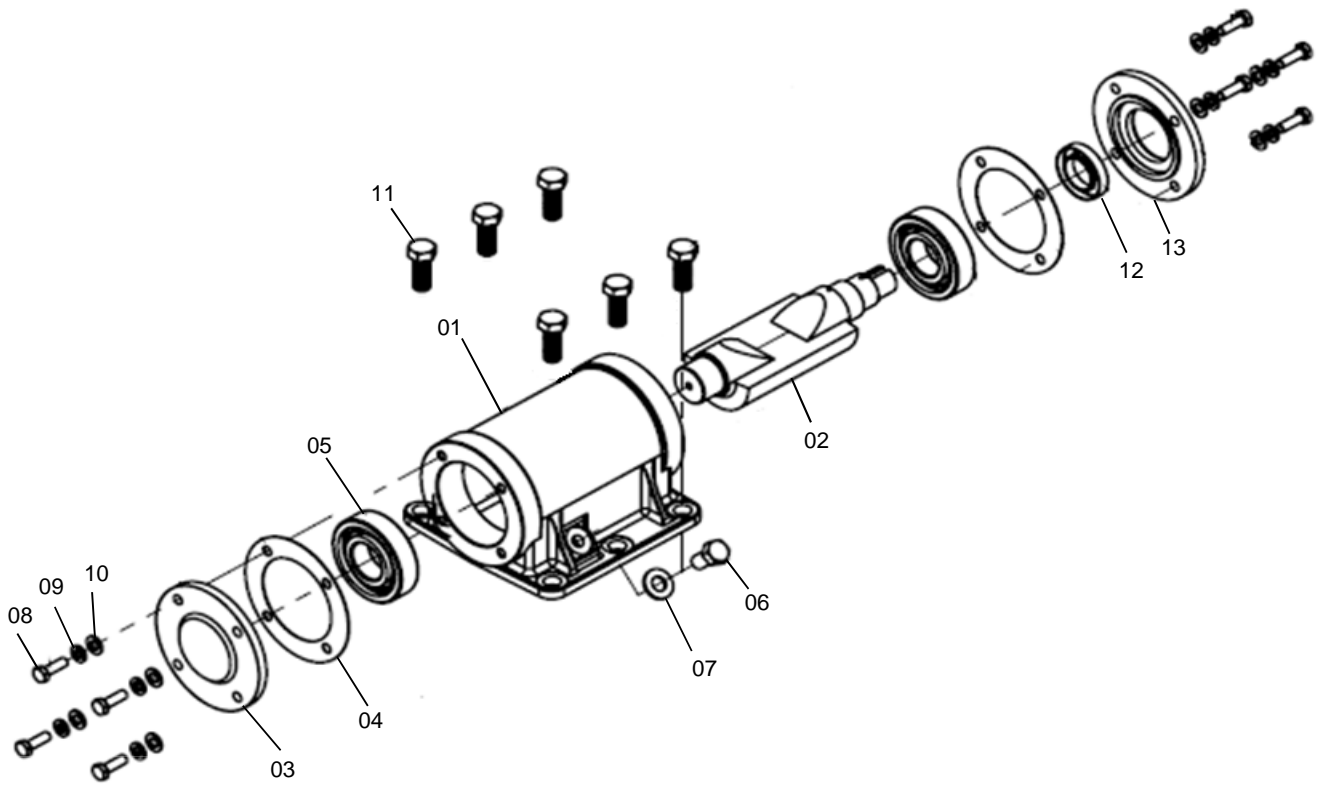
Engine and Drive Kit Assembly

| ITEM NUMBER | PART NUMBER | DESCRIPTION | QUANTITY |
|-------------|--------------|----------------------------------------------------|----------|
| 1 | 201.02.00000 | Clutch Pulley | 1 |
| 2 | 201.75.00005 | Pulley | 1 |
| 3 | | V-Belt | 1 |
| 4 | | Cap Screw 5/16"x15 | 1 |
| 5 | 201.65.00003 | Clutch Washer | 1 |
| 6 | 201.65.00013 | Clutch Spacer | 1 |
| 7 | 201.75.00012 | Clutch Key GX160 | 1 |
| 8 | | Hexagon Bolt M8X20 | 1 |
| 9 | | Spring Washer M8 | 1 |
| 10 | 201.75.00003 | Shaft Washer | 1 |
| 11 | 201.65.00002 | Key | 1 |
| 12 | 201.75.00010 | Engine (HONDA GX160) | 1 |
| - | 201.75.01000 | Drive Unit Repair Kit (consist of item no 1,2 & 3) | 1 set |



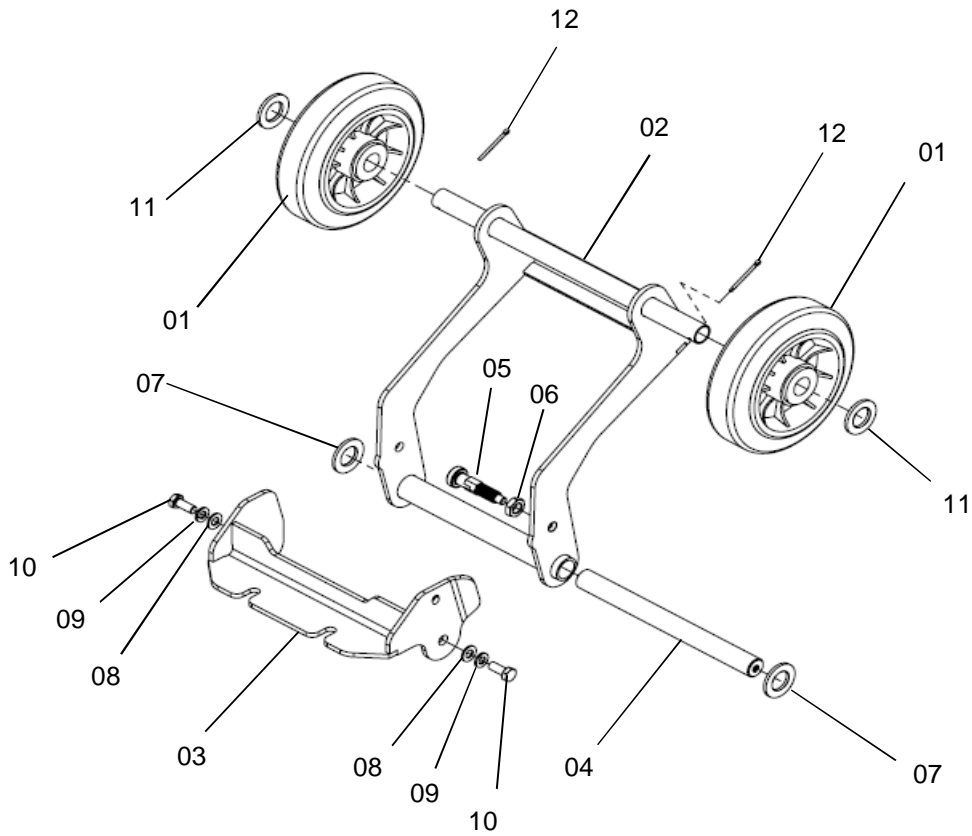
Sprinkler System Assembly

| ITEM NUMBER | PART NUMBER | DESCRIPTION | QUANTITY |
|-------------|--------------|----------------------------------------|----------|
| 1 | 201.75.11001 | Sprinkler Plate | 1 |
| 2 | 201.75.11200 | Sprinkler WA | 1 |
| 3 | | Hosetail (1/8") | 1 |
| 4 | 201.75.15100 | Water Tank | 1 |
| 5 | 201.75.15001 | Tank Cap | 1 |
| 6 | | Seal Washer (3/8") | 1 |
| 7 | | Adaptor (3/8" x 1/4") | 1 |
| 8 | | Hosetail (1/4") | 2 |
| 9 | 201.75.12002 | Hose Mount Bracket | 1 |
| 10 | | Ball Valve (1/4" x 1/4") | 1 |
| 11 | | Elbow (1/4") | 1 |
| 12 | | Bolt M10X16 | 1 |
| 13 | | Hex Socket Button Head Cap Screw M6X25 | 4 |
| 14 | | Hex Nut M10 | 1 |
| 15 | | Nyloc Nut M6 | 4 |
| 16 | | Flat Washer M10 | 2 |
| 17 | | Flat Washer M6 | 8 |
| 18 | | Water Hose | 2 |
| 19 | | Hose Clip 1/4" | 4 |



Vibrator Unit Assembly (201.01.00000)

| ITEM NUMBER | PART NUMBER | DESCRIPTION | QUANTITY |
|-------------|--------------|----------------------------------------------------------|----------|
| 1 | 201.01.00001 | Vibrator Housing | 1 |
| 2 | 201.01.00002 | Vibrator Shaft | 1 |
| 3 | 201.01.00003 | Cover Blind | 1 |
| 4 | 201.01.00005 | Gasket | 2 |
| 5 | | Bearing | 2 |
| 6 | | Hexagon Bolt 1/2"x 3/4" | 1 |
| 7 | 201.01.00006 | Seal Washer | 1 |
| 8 | | Hexagon Bolt M8x25 | 8 |
| 9 | | Spring Washer M8 | 8 |
| 10 | | Flat Washer M8 | 8 |
| 11 | | Hexagon Bolt M14x35 | 6 |
| 12 | | Oil Seal | 1 |
| 13 | 201.01.00004 | Cover Pulley | 1 |
| - | 201.01.01000 | Vibrator Unit Repair Kit 1 (Consist of item no 4,5 & 12) | 1 Set |



Transporter Assembly (201.75.13000)

| ITEM NUMBER | PART NUMBER | DESCRIPTION | QUANTITY |
|-------------|--------------|---------------------------|----------|
| 1 | 201.75.00009 | Wheel | 2 |
| 2 | 201.75.13100 | Wheel Axle WA | 1 |
| 3 | 201.75.13200 | Wheel Bracket WA | 1 |
| 4 | 201.75.13002 | Axle Shaft | 1 |
| 5 | 201.75.13300 | Plunger | 1 |
| 6 | | Hex Jam Nut M12 | 1 |
| 7 | 201.75.13001 | Nylon Spacer | 2 |
| 8 | | Flat Washer M10 | 2 |
| 9 | | Spring Washer M10 | 2 |
| 10 | | Hex Bolt M10 x 25 | 2 |
| 11 | | Flat Washer M20 | 2 |
| 12 | | Cotter Pin 3/32" x 1 1/4" | 2 |

Paclite Equipment a brand within Uni-Corp

UNI-Corp Europe



+33 (0) | 49 81 69 55

Paclite Equipment



+33 (0) | 48 98 40 88

33, avenue Pierre Brossolette

94085 Créteil -FRANCE

www.paclite-equip.com