

# **ROAD MASTER**

**(90LD)**

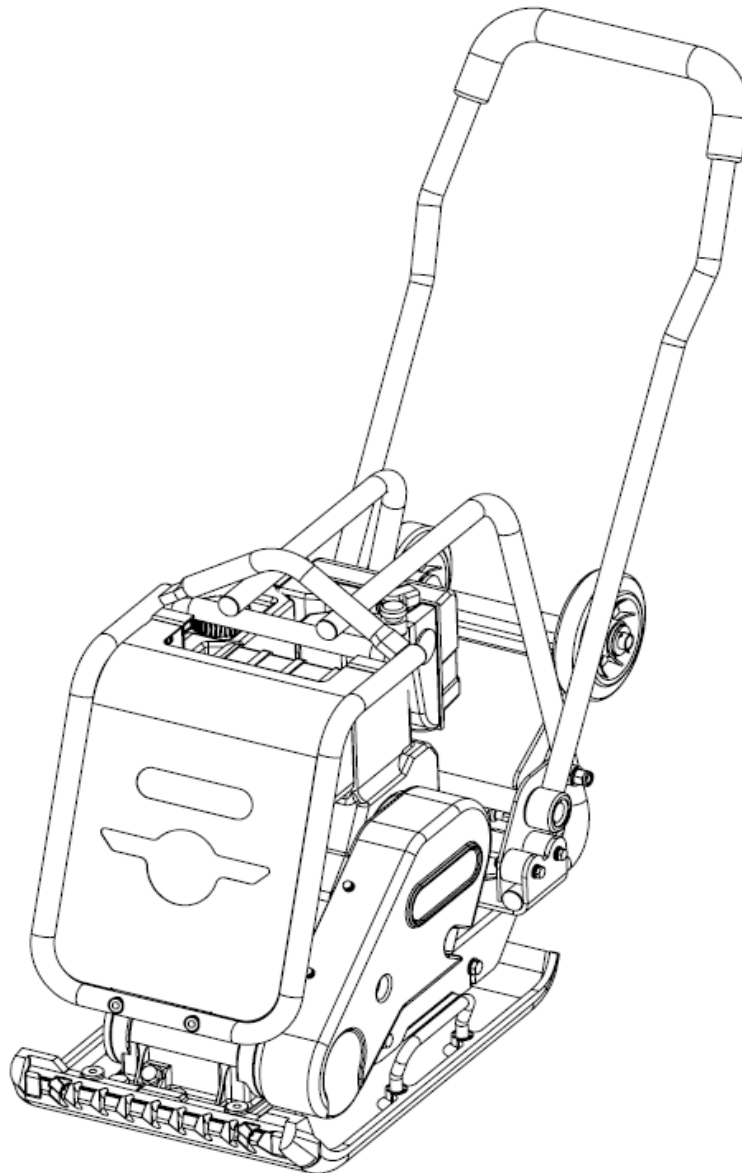


**FORWARD PLATE COMPACTOR**



## **Part List Catalogue**

*Pièces détachées*



**Paclite Equipment a brand within Uni-Corp**

UNI-Corp Europe  
Paclite Equipment  
33, avenue Pierre Brossolette  
94085 Créteil -FRANCE

+33 (0) | 49 81 69 55  
+33 (0) | 48 98 40 88

[www.paclite-equip.com](http://www.paclite-equip.com)

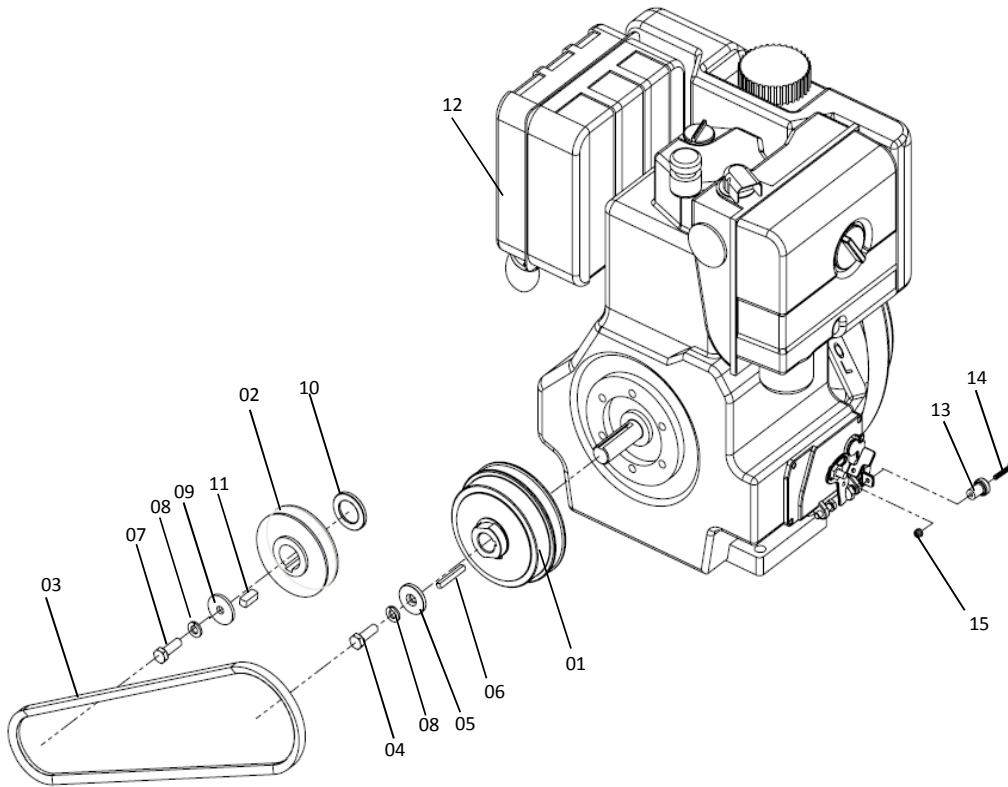
© All Rights Reserved 2010

**(ENGLISH VERSION)**



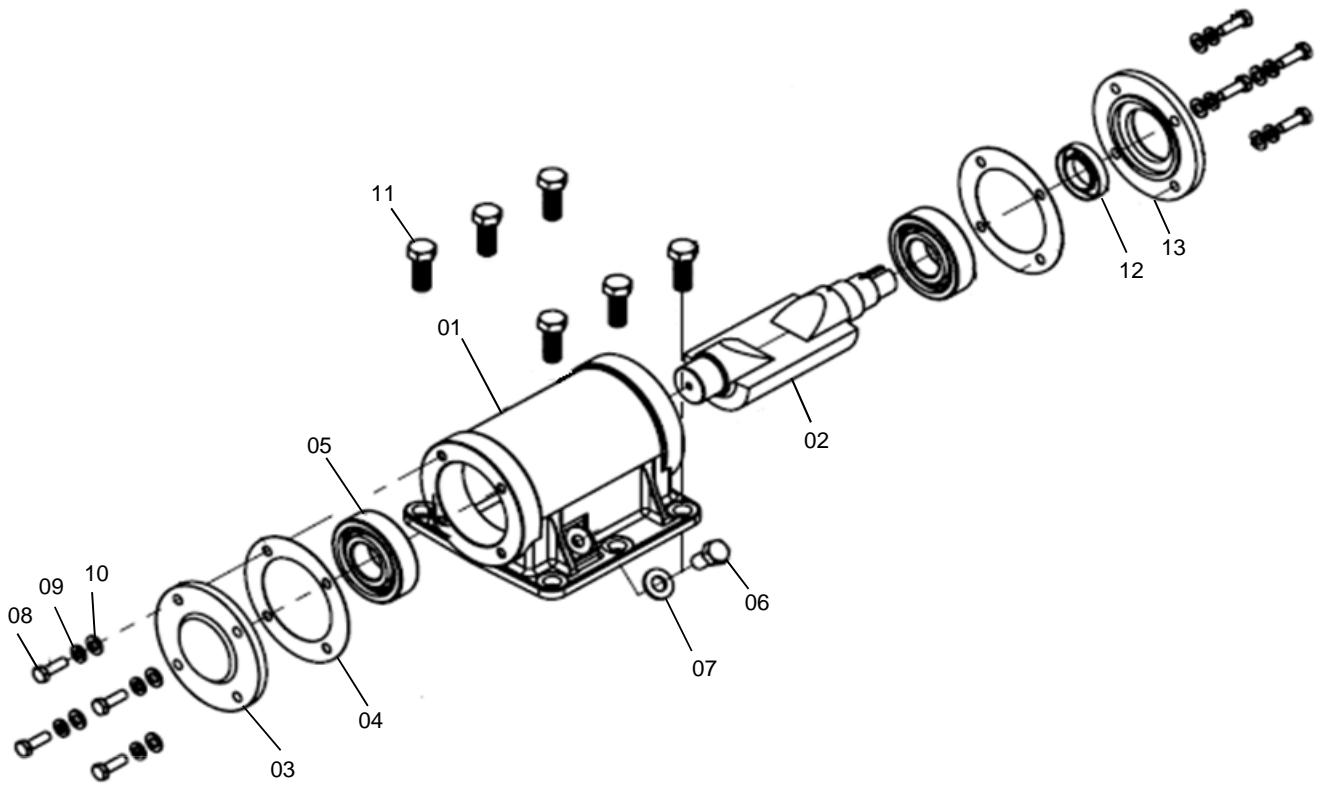
<b>Road Master Lombardini Assembly (201.90.80111)</b>
---

<b>ITEM NUMBER</b>	<b>PART NUMBER</b>	<b>DESCRIPTION</b>	<b>QUANTITY</b>
1	201.90.11100	Base Plate WA	1
2	201.75.00004	Anti-Vib Mount	4
3	201.90.16200	Engine Plate WA	1
4	201.90.00006	Engine Mount Plate	1
5	201.75.12001	Boss	1
6	201.90.12002	Buffer Bracket	1
7	201.90.16100	Engine Frame WA	1
8	201.90.15100	Handle Plate Right	1
9	201.90.16100	Handle Plate Left	1
10	201.90.14001	Handle Stopper	2
11	201.90.00004	Rubber Buffer	4
12	201.75.00006	Tube Bung	6
13	201.75.12003	Stop Buffer	1
14	201.90.14000	Handle WA	1
15	201.75.00008	Handle Bolt	2
16	201.90.00002	Strut Bar	1
17	201.90.00007	Front Cover	1
18	201.75.00002	Clamp Plate Front	1
19	201.75.00027	Clamp Plate Rear	1
20	201.90.00008	Belt Guard	1
21		Hex Bolt M10x16	4
22		Spring Washer M10	17
23		Flat Washer M10	15
24		Flat Washer M8	12
25		Spring Washer M8	8
26		Hex Bolt M10x25	6
27		Hex Bolt M10x50	1
28		Hex Bolt M8x60	4
29		Hex Thin Nut M10	1
30		Hex Nut M10	4
31		Hex Bolt M8x16	6
32		Nyloc Nut M8	4
33		Nyloc Nut M12	2
34		Flat Washer M12	2
35		Hex Bolt M6x16	4
36		Spring Washer M6	4
37		Flat Washer M6	4
38		Hex Bolt M10x25	2
39		Nyloc Nut M10	2



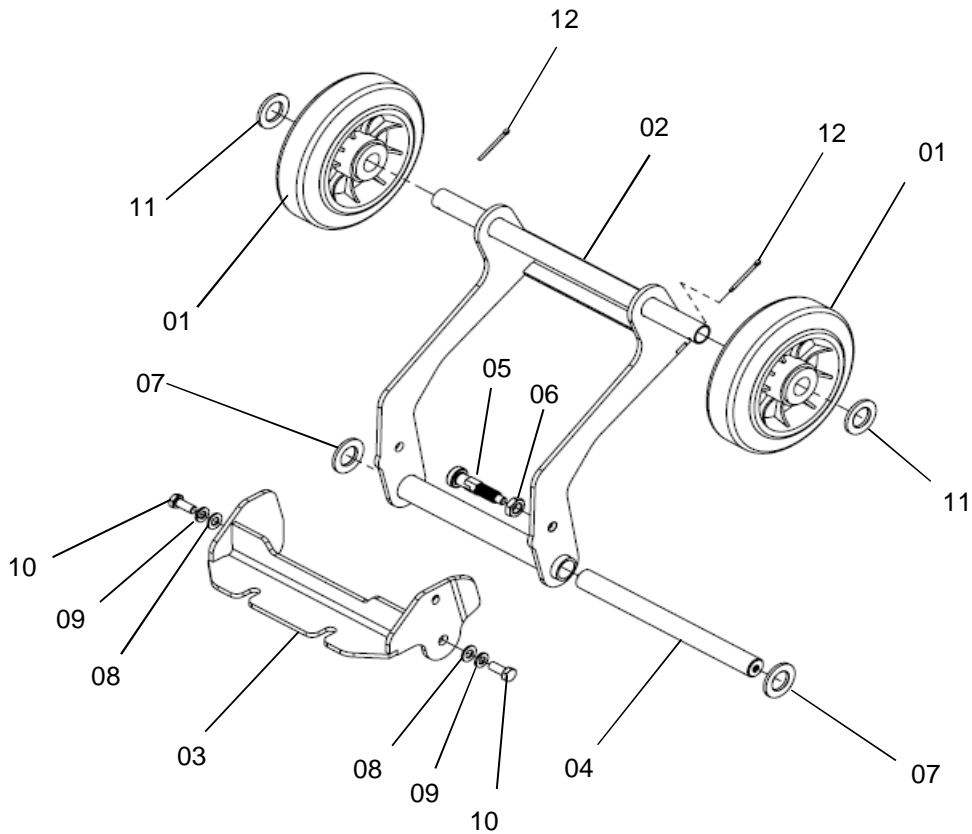
## Engine and Drive Kit Assembly

ITEM NUMBER	PART NUMBER	DESCRIPTION	QUANTITY
1	201.02.00000	Clutch Pulley	1
2	201.65.00001	Pulley	1
3		V-Belt	1
4		Cap Screw 5/16"x20	1
5	201.65.00003	Clutch Washer	1
6	201.90.00011	Clutch Key 15LD225	1
7		Hexagon Bolt M8 x 20	1
8		Spring Washer M8	1
9	201.75.00003	Shaft Washer	1
10	201.90.00001	Shaft Spacer	1
11	201.65.00002	Key	1
12	201.90.00012	Engine (15 LOMBARDINI 225)	1
13	201.90.00010	Stop Button	1
14		Hexagon Socket Head Cap Screw M4 x 25	1
15		Nyloc Nut M4	1
-	201.90.01000	Drive Unit Repair Kit (consist of item no 1,2 & 3)	1 set



## Vibrator Unit Assembly (201.01.00000)

ITEM NUMBER	PART NUMBER	DESCRIPTION	QUANTITY
1	201.01.00001	Vibrator Housing	1
2	201.01.00002	Vibrator Shaft	1
3	201.01.00003	Cover Blind	1
4	201.01.00005	Gasket	2
5		Bearing	2
6		Hexagon Bolt 1/2"x 3/4"	1
7	201.01.00006	Seal Washer	1
8		Hexagon Bolt M8x25	8
9		Spring Washer M8	8
10		Flat Washer M8	8
11		Hexagon Bolt M14x35	6
12		Oil Seal	1
13	201.01.00004	Cover Pulley	1
-	201.01.01000	Vibrator Unit Repair Kit 1 (Consist of item no 4,5 & 12)	1 Set



## Transporter Assembly (201.75.13000)

ITEM NUMBER	PART NUMBER	DESCRIPTION	QUANTITY
1	201.75.00009	Wheel	2
2	201.75.13100	Wheel Axle WA	1
3	201.75.13200	Wheel Bracket WA	1
4	201.75.13002	Axle Shaft	1
5	201.75.13300	Plunger	1
6		Hex Jam Nut M12	1
7	201.75.13001	Nylon Spacer	2
8		Flat Washer M10	2
9		Spring Washer M10	2
10		Hex Bolt M10 x 25	2
11		Flat Washer M20	2
12		Cotter Pin 3/32" x 1 1/4"	2